

G SERIES RATCHET LEVER HOIST

CAPACITIES 3/4 to 15 Tons
LIFTS Up to 60 in.
SPECIFICATIONS ■ Lifetime Warranty

Coffing G Series ratchet lever hoists are efficient and durable, featuring malleable iron roller chain. Roller chain, often referred to as bicycle chain, can be spliced to create longer lifts and can handle higher capacities than coil chain. G Series hoists are ideal for utility transmission and distribution work.

FEATURES & BENEFITS

CAPACITIES & LIFT

Rated loads from 3/4 to 15 tons. For standard lifts, see chart below. Other lifts available.

RUGGED

Unit and handle made from malleable iron. Riveted construction makes the unit tamper resistant.

FREE CHAINING

Free-chaining mechanism allows quick and easy take-up and positioning of slack chain. Hoist will not free chain when under load.

HANDLE STOPS

Prevent handle from spinning if it is accidentally released by the operator.

SINGLE OR DOUBLE LOCKING RATCHET AND PAWL DESIGN PROVIDES MULTIPLE RIGGING OPTIONS

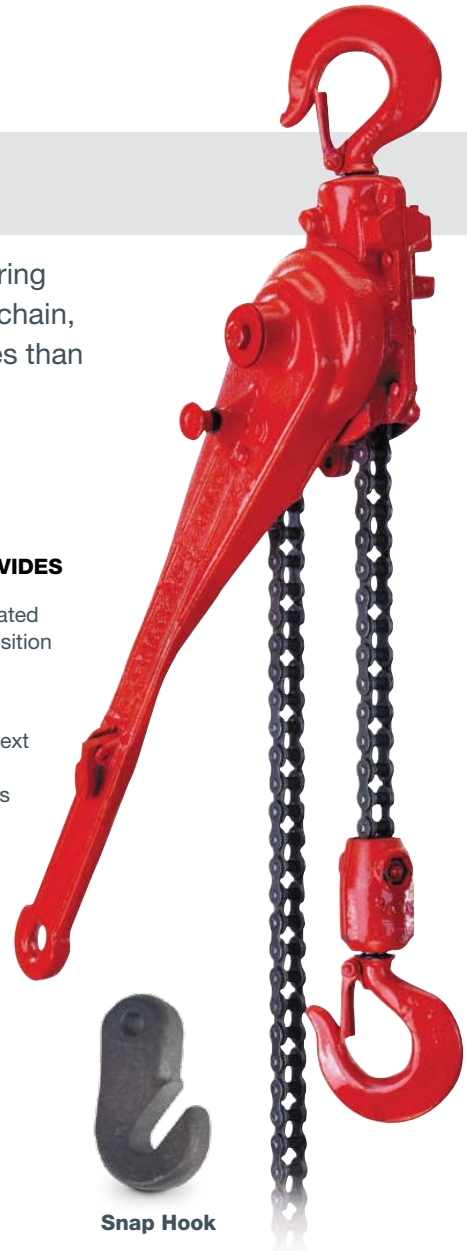
Hoist can lift, pull or bind. Can be operated from either side and will work in any position with equal efficiency.

SNAP HOOK AND LINK

Allows operator to convert unit to the next smallest capacity to provide longer lift and faster operation. Snap hook acts as an end stop and will not pass through the chain sprocket.

ADJUSTABLE LIFT

The lift/reach can be adjusted by adding or removing links.



Snap Hook

OPTIONS

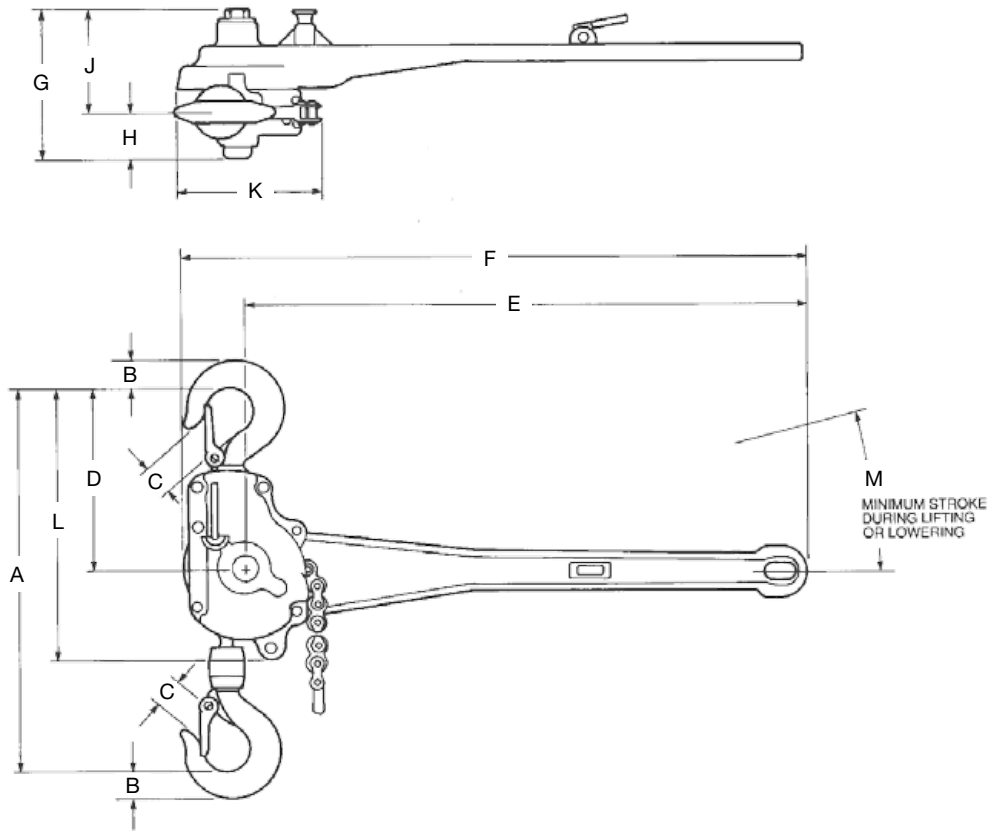
- Bullard Hooks
- Bronze Hooks
- Zinc-Plated Hooks (consult factory)

SPECIFICATIONS

Capacity		Model Number †	Standard Lift (in.)	Strands of Load Chain	Minimum Distance Between Hooks (in.)	Handle Length (in.)	Minimum Increment (in.) †	Average Handle Effort (lbs.)	Net Weight (lbs.)
(lbs.)	(kg.)								
1500	3/4	AG/AGI	56-1/2	1	13	18-3/4	.624/.313	56	14
3000	1-1/2	ATG/ATGI	57	2	15	18-3/4	.313/.156	60	17
3000	1-1/2	FG/FGI	56-1/2	1	16	27-5/8	1.0/.5	116	25
6000	3	FTG/FTGI	57	2	17-5/8	27-5/8	.50/.25	120	34
9000	4-1/2	ZG-41/2	53	3	25	33-5/8	0.3333	124	49
12000	6	ZG-6	53	4	25	33-5/8	0.25	124	59
18000	9	WG-9	60	5	30	33-5/8	0.2	124	120
22000	11	WG-11	60	6	30	33-5/8	0.167	124	130
26000	13	WG13	60	7	30	33-5/8	0.143	124	140
30000	15	WG-15	60	8	30	33-5/8	0.125	124	150

† First designation is single-pawl model and second "I" designation is double-pawl model.

Note: For complete dimensional data, refer to Coffing Dimensional Databook.



DIMENSIONS

Model Number	Capacity (lbs.)	Standard Lift (in.)	Dimensions (in.)											
			A	B	C*	D	E	F	G	H	J	K	L	M
AG/AGI ¹	1,500	56-1/2	13	1	1	6-1/4	18-3/4	20-3/4	5	1-1/2	3-1/2	4-1/2	9-1/4	AG=60°, AGI=30°
ATG ² /ATGI ^{1,2}	3,000	57	15	1	1	6-1/4	18-3/4	20-3/4	5	1-1/2	3-1/2	4-1/2	9-1/4	ATG=60°, ATGI=30°
FG/FGI ¹	3,000	56-1/2	16	1-1/8	1-1/8	7	27-5/8	29-7/8	6-1/4	1-3/4	4-1/2	5-3/4	10 1/4	FG=60°, FGI=30°
FTG ³ /FTGI ^{1,3}	6,000	57	17-5/8	1-1/8	1-1/8	7-3/8	27-5/8	29-7/8	6-1/4	1-3/4	4-1/2	5-3/4	10-5/8	FTG=60°, FTGI=30°
ZG-41/2 ⁴	9,000	53	25	1-13/16	1-11/16	8-1/4	33-5/8	36-1/8	6-1/8	1-11/16	4-7/16	6-1/8	12-7/8	60°
ZG-6 ⁵	12,000	53	25	1-13/16	1-11/16	8-1/4	33-5/8	36-1/8	6-1/8	1-11/16	4-7/16	6-1/8	12-7/8	60°
WG-9	18,000	60	30	2-1/8	1-5/8	9-1/8	33-5/8	41-3/8	6-3/8	1-3/4	4-5/8	13-1/2	14-5/8	60°
WG-11	22,000	60	30	2-1/8	1-5/8	9-1/8	33-5/8	41-3/8	6-3/8	1-3/4	4-5/8	13-1/2	14-5/8	60°
WG13	26,000	60	30	2-1/8	1-5/8	9-1/8	33-5/8	41-3/8	6-3/8	1-3/4	4-5/8	13-1/2	14-5/8	60°
WG-15	30,000	60	30	2-1/8	1-5/8	9-1/8	33-5/8	41-3/8	6-3/8	1-3/4	4-5/8	13-1/2	14-5/8	60°

¹ Double Pawls — can be operated with half strokes of lever when using in close quarters.

² Convertible model — 1 chain 3/4 ton, 112" lift. 2 chains 1-1/2 tons, 57" lift.

³ Convertible model — 1 chain 1-1/2 tons, 112" lift. 2 chains 3 tons, 57" lift.

⁴ Convertible model — 2 chain 3 tons, 76" lift. 3 chains 4-1/2 tons, 51" lift.

⁵ Convertible model — 3 chain 4-1/2 tons, 70" lift. 4 chains 6 tons, 53" lift.

All dimensions are in inches unless otherwise indicated.

** Minimum stroke on double-locking pawl models (AGI, ATGI, FGI, FTGI) is one-half (30°) that of single-locking pawl models (AG, ATG, FG, FTG).