

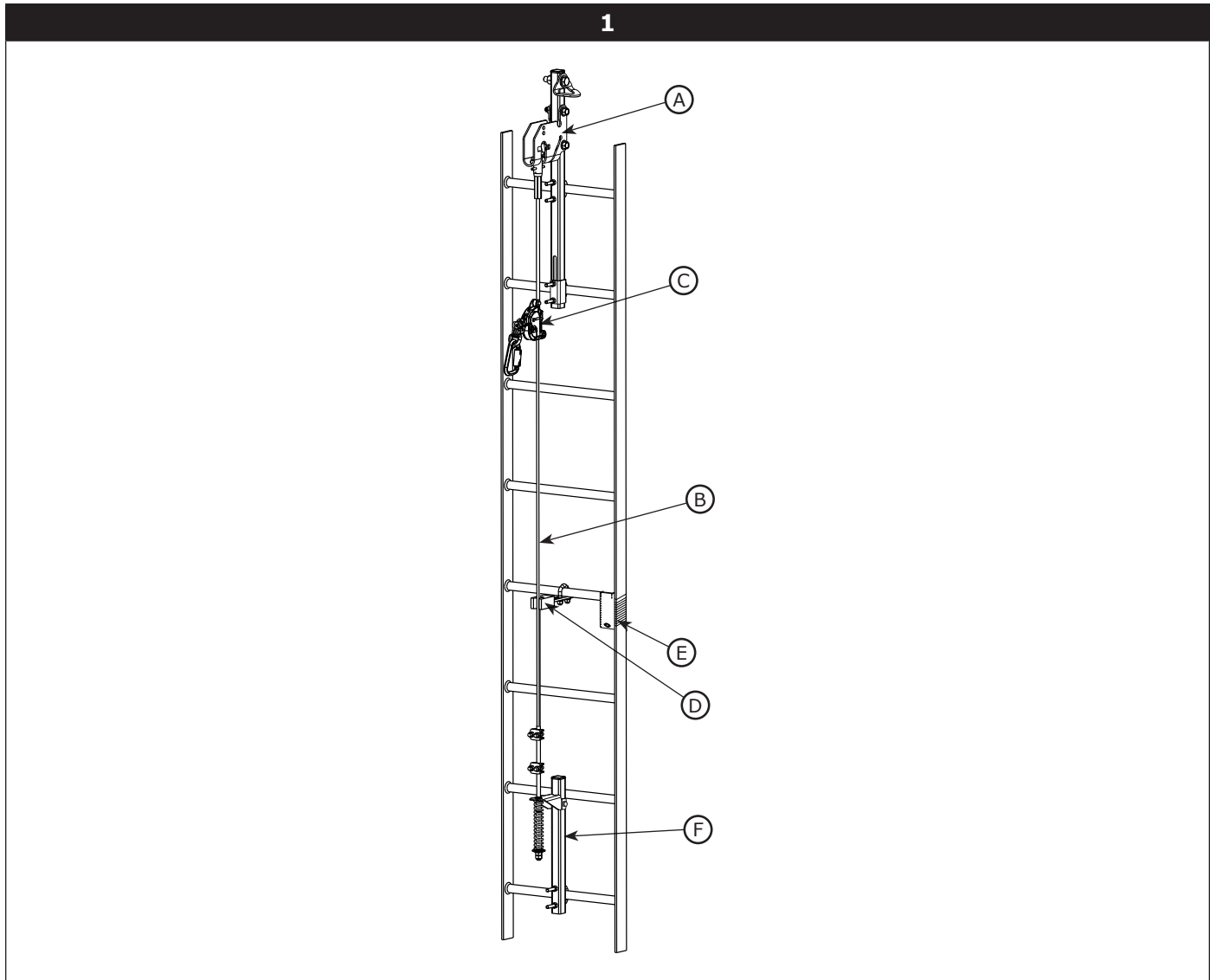


Fall Protection

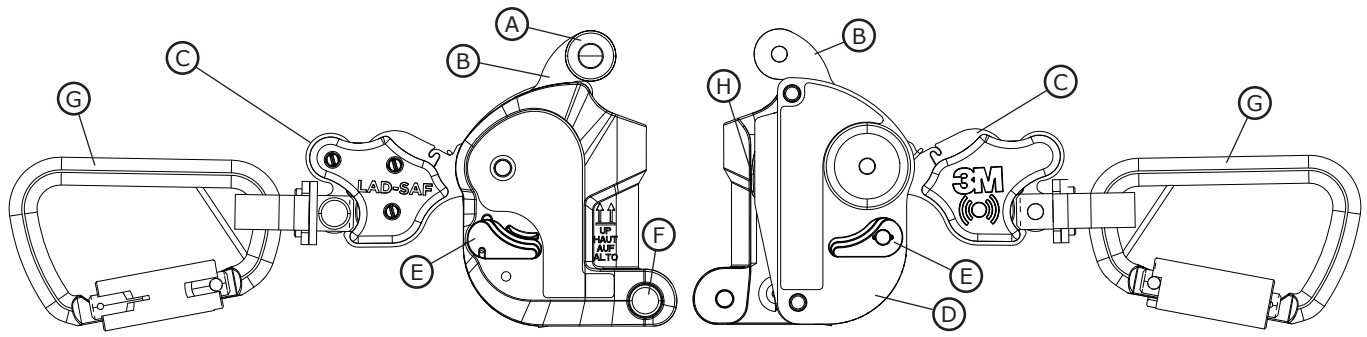
		<b>EN353-1:2014+A1:2017</b>	
<b>PPE Regulation (EU) 2016/425</b>			
<b>Regulation 2016/425 on personal protective equipment, as amended to apply in GB</b>			
<b>CE Type Test</b> No. 2777 Satra Technology Europe Ltd Bracetown Business Park Clonee, Dublin D15 YN2P Ireland	<b>CE Product Quality Control</b> No. 2797 BSI The Netherlands B.V. Say Building John M. Keynesplein 9 1066 EP Amsterdam Netherlands	<b>UKCA Type Test</b> No. 0321 SATRA Technology Centre Limited, Wyndham Way, Telford Way, Kettering, Northamptonshire, NN16 8SD, United Kingdom	<b>UKCA Product Quality Control</b> No. 0086 BSI Kitemark Court Davy Avenue Knowlhill Milton Keynes MK5 8PP United Kingdom

ANSI Z359.16
CSA Z259.2.5
OSHA 1926.1053 OSHA 1910.29

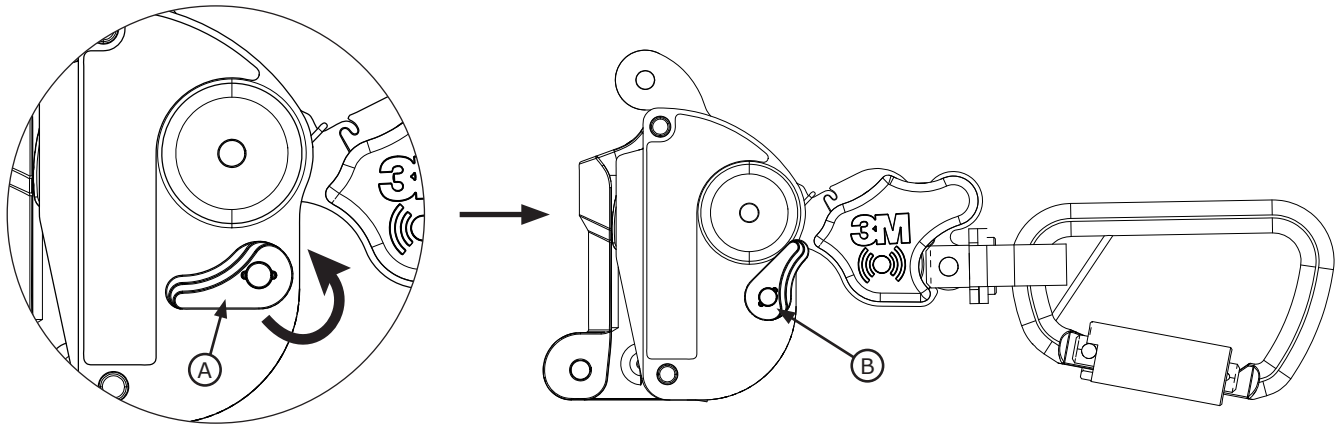
**LAD-SAF X3  
VERTICAL CABLE SAFETY SLEEVE  
AND SYSTEM  
USER INSTRUCTIONS  
5908556 Rev. H**



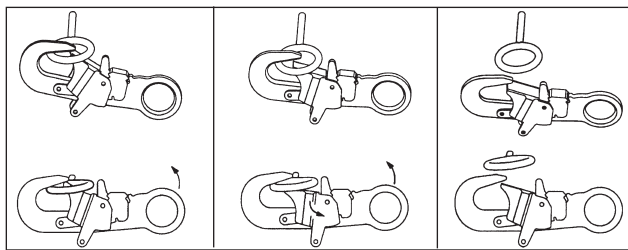
2



3



4

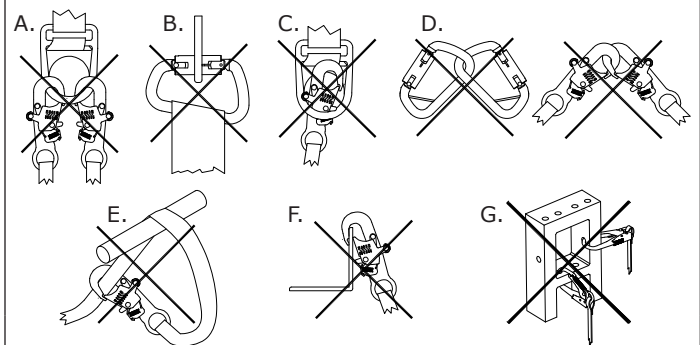


A

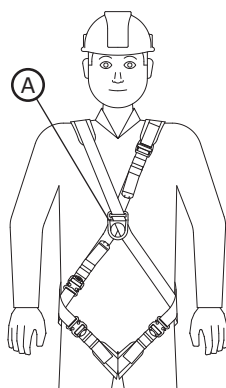
B

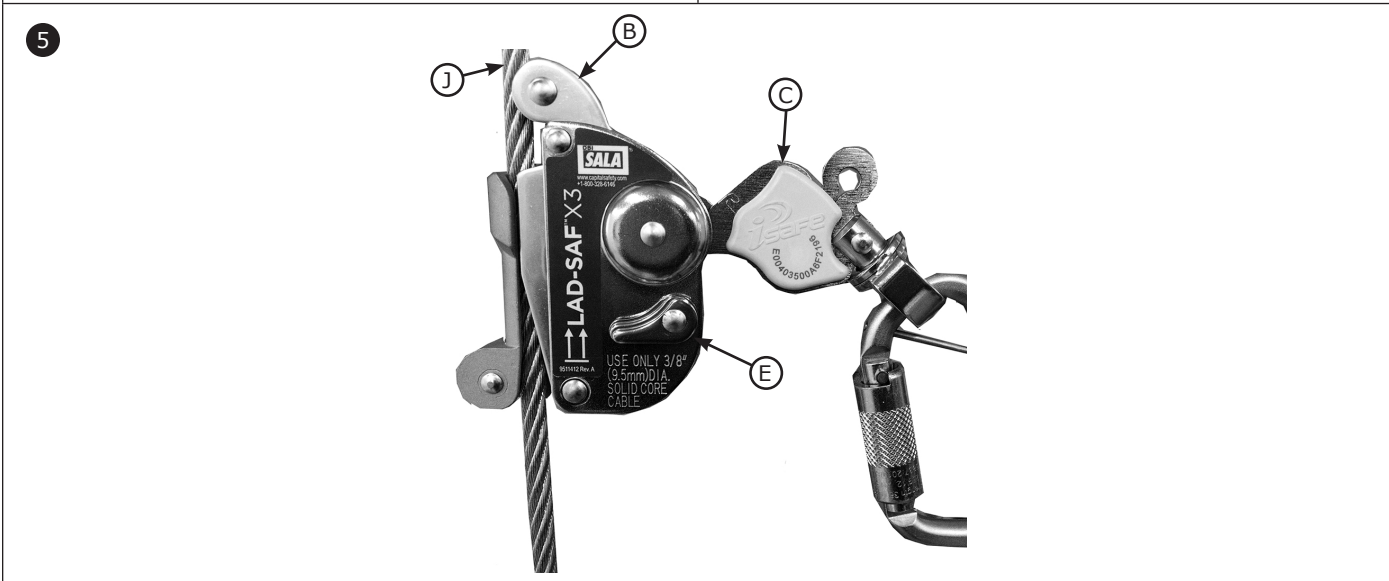
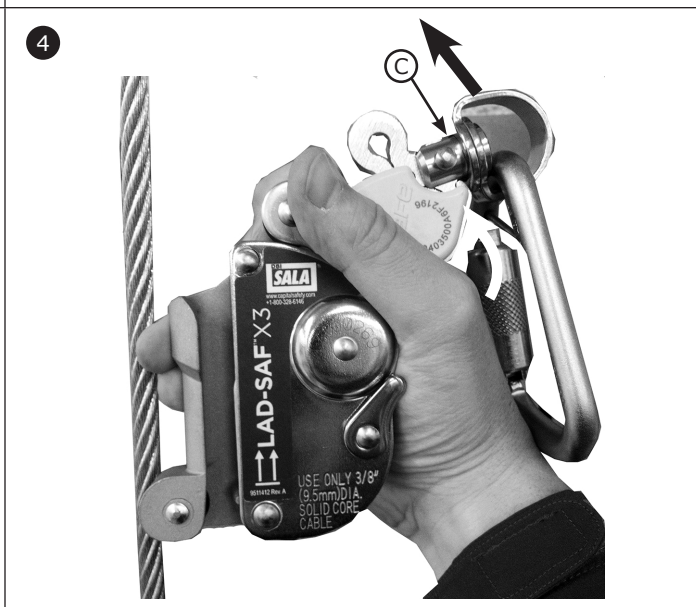
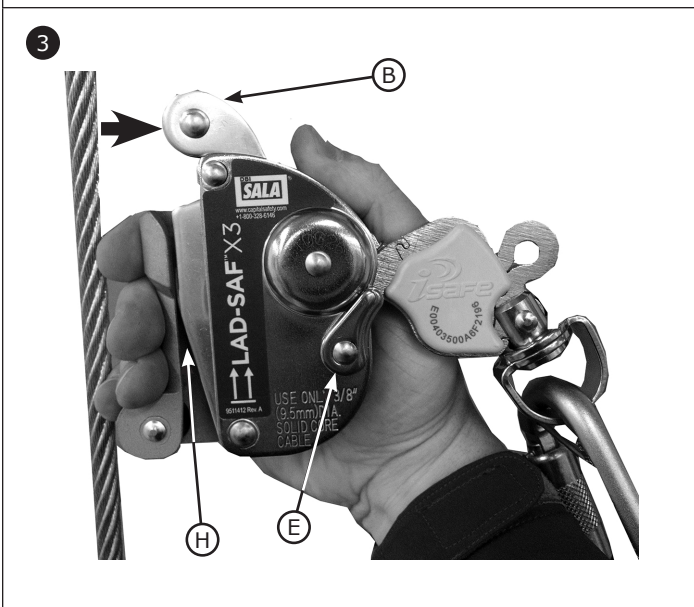
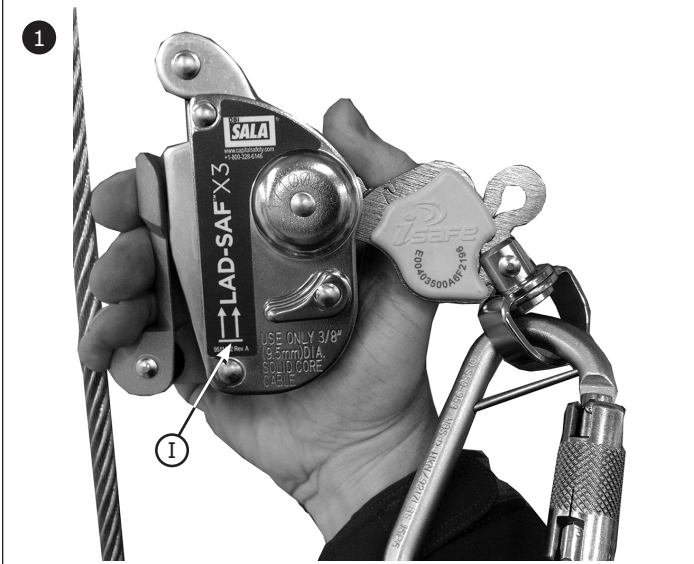
C

5

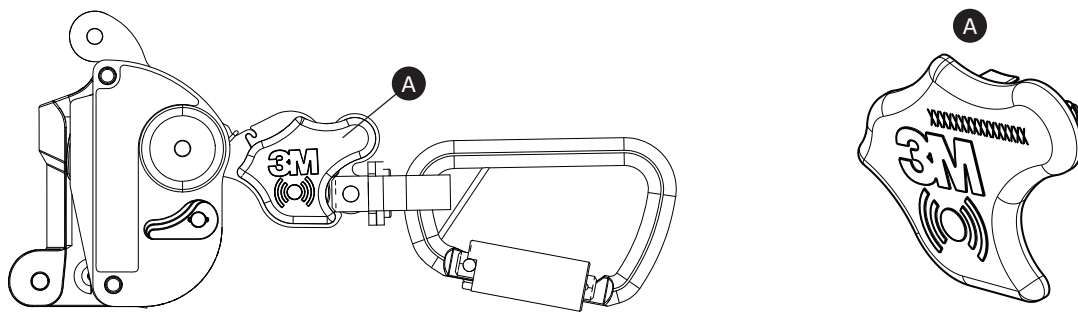


6

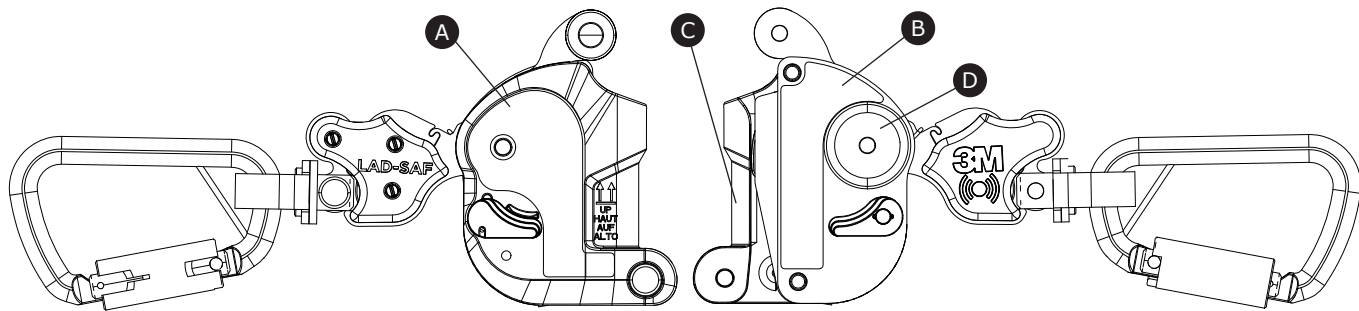




8



9



10

MODEL NO 6160054  
SERIAL NO XXXXXXX

**WARNING**  
**AVERTISSEMENT**  
Failure to heed warnings may result in serious injury or death. Read and follow manufacturer's instructions supplied with this product. Use only with DBI-SALA approved system and harness. Inspect before each use. Attach sleeve to front D-ring on harness with supplied connector. Do not grasp the sleeve or cable while actively climbing.

40-15  
140 KG

OMISSION DE TENIR COMPTE DES AVERTISSEMENTS PEUT ENTRAINER DES BLESSURES GRAVES OU LA MORT. Lisez et suivez les instructions du fabricant fournies avec ce produit. Utilisez uniquement avec le système et le harnais approuvés DBI-SALA. Inspectez avant chaque utilisation. Attachez la douille à l'anneau en D frontal sur le harnais avec le connecteur fourni. Ne saisissez pas le manchon ou le câble tout en grimpant activement.

9514023 Rev. D

CSA  
Z259.2  
E00086

CE2797 ANSI Z359.16

EN353-1:2014+A1:2017

**3M** **SALA**  
Full Protection

3M.com/FallProtection  
+1-800-328-6146  
Red Wing, MN 55066, USA

**LAD-SAF™ X3**

9511412 Rev. B

**SALA**

**LAD-SAF™ X3**

USE ONLY 3/8" (9.5mm) DIA. SOLID CORE CABLE

**3M** **SALA** **LAD-SAF™**  
3M.com/FallProtection  
1-800-328-6146  
Red Wing, MN 55066, USA

Installed By / Instalado por: (1) (2)  
Date of Installation / Date d'Installation

Anchorage requirements / Requisitos de anclaje (3)  
Exigences d'ancrage / Conditions exigées pour l'ancrage

Max. Users Per System: 310 lbs (141 kg) (4)  
Poids max. de usuarios por système: 141 kg (310 lbs) (4)  
Nombre max. d'utilisateurs par système: 141 kg (310 livres) (4)  
Epaisseur Utilisateurs par système: 141 kg (310 lbs) (4)

System Length / Longueur du système (5)  
Longueur du système / Longueur du système

Date of Manufacture / Fecha de fabricación (6)  
Date de fabrication / Date de fabrication

Date Inspected / Fecha de la inspección (7)  
Date d'inspection

System Serial No. / Número de serie del sistema (8)  
Número de serie del sistema / N° de série du système

**WARNING:** Failure to heed warnings may result in serious injury or death. Manufacturer's instructions supplied with this product at time of shipment must be followed for proper installation, use, inspection and maintenance. Unread or ignored instructions are a violation of system design and compromise the likelihood of use only with compatible personal protective equipment as per manufacturer's instructions. Before each use inspect system visually for defects. Formally inspect system in accordance with manufacturer's instructions at least annually, or in accordance with specified inspection criteria for the structure the system is secured to. Refer to requirements for information on periodic formal inspections. Minimum spacing of use of this system is 20ft. Do not remove this label.

**AVERTISSEMENT:** Si l'implication de ces instructions peut occasionner des blessures graves, voire mortelles, les instructions du fabricant fournies avec ce produit au moment de son expédition doivent être respectées pour une installation, une utilisation, une inspection et un entretien conformes aux instructions du fabricant. L'usage non autorisé du système est une violation de son design et compromet la probabilité de l'utilisation avec un équipement de protection individuelle compatible conformément aux instructions du fabricant. Avant chaque utilisation, inspectez visuellement le système à la recherche de défauts. Inspectez formellement le système annuellement, ou conformément aux critères d'inspection spécifiés pour la structure à laquelle le système est fixé. Consultez les instructions pour plus d'informations sur les inspections formelles périodiques. L'espacement minimum entre les utilisateurs de ce système est de 6,1 m (20 pi). Ne retirez pas cette étiquette.

**AVERTISSEMENT:** Le non-respect des avertissements peut entraîner des blessures graves, voire mortelles. Les instructions du fabricant fournies avec ce produit au moment de son expédition doivent être respectées pour une installation, une utilisation, une inspection et un entretien conformes aux instructions du fabricant. L'usage non autorisé du système est une violation de son design et compromet la probabilité de l'utilisation avec un équipement de protection individuelle compatible conformément aux instructions du fabricant. Avant chaque utilisation, inspectez visuellement le système à la recherche de défauts. Inspectez formellement le système annuellement, ou conformément aux critères d'inspection spécifiés pour la structure à laquelle le système est fixé. Consultez les instructions pour plus d'informations sur les inspections formelles périodiques. L'espacement minimum entre les utilisateurs de ce système est de 6,10 m (20 pi). Ne retirez pas cette étiquette.

**OK** **NO**

9" MAX (23cm)

**DO NOT USE WITH LANYARD**

**CE2797**  
**E00086**

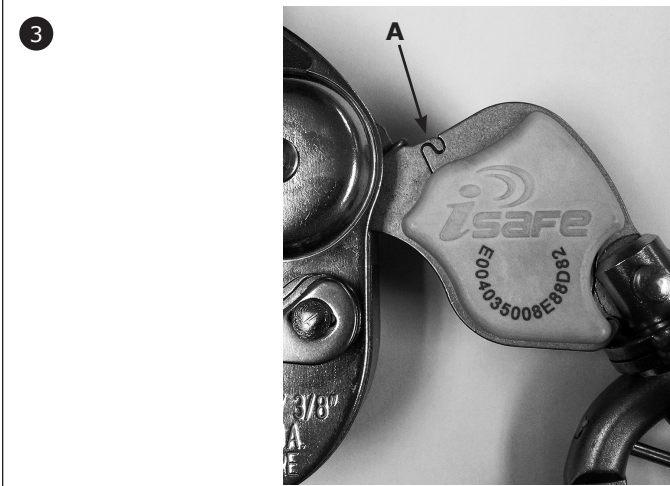
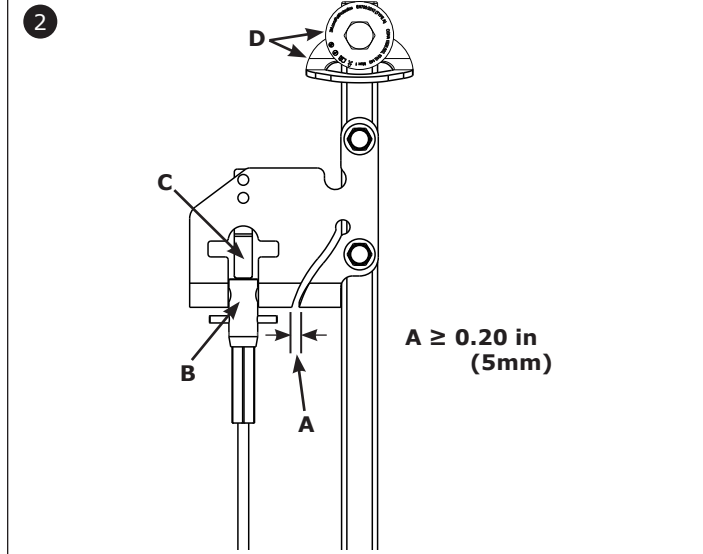
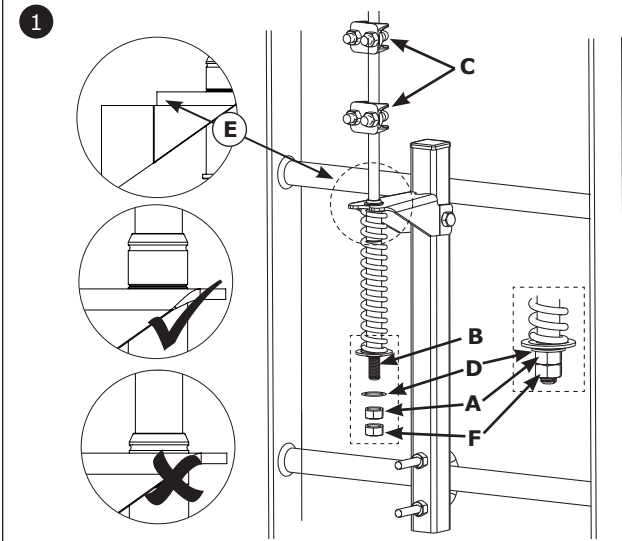
**3/8" (9.5mm) CABLE**

STANDARDS / NORMES / NORMEN	SLEEVE / MANCHON	1 x 7	7 x 19	1 x 7	1 x 7
EN15613:2014+A1:2017 EN15613:2014 EN15613:2014	6160030	✓	✓	✓	✓
EN15613:2014+A1:2017 EN15613:2014 EN15613:2014	6160047	✓	✓	✓	✓
EN15613:2014+A1:2017 EN15613:2014 EN15613:2014	6160054	✓	✓	✓	✓
EN15613:2014+A1:2017 EN15613:2014 EN15613:2014	6160062	✓	✓	✓	✓

(11)

9513846 Rev. G





## EN SAFETY INFORMATION

Please read, understand, and follow all safety information contained in these instructions prior to the use of this Vertical System. FAILURE TO DO SO COULD RESULT IN SERIOUS INJURY OR DEATH.

These instructions must be provided to the user of this equipment. Retain these instructions for future reference.

### Intended Use:

This Vertical System is intended for use as part of a complete personal fall protection system.

Use in any other application including, but not limited to, material handling, recreational or sports related activities, or other activities not described in the Product Instructions, is not approved by 3M and could result in serious injury or death.

This device is only to be used by trained users in workplace applications.

### WARNING

This Flexible Cable/Rigid Rail System is part of a personal fall protection system. It is expected that all users be fully trained in the safe installation and operation of their personal fall protection system. **Misuse of this device could result in serious injury or death.** For proper selection, operation, installation, maintenance, and service, refer to these Product Instructions and all manufacturer recommendations, see a supervisor, or contact 3M Technical Service.

- **To reduce the risks associated with working with a Flexible Cable/Rigid Rail System which, if not avoided, could result in serious injury or death:**
  - Inspect all components of the system before each use, at least annually, and after any fall event. Inspect in accordance with the Product Instructions.
  - If inspection reveals an unsafe or defective condition in a component of the system, remove the component from service and destroy it.
  - Any Flexible Cable/Rigid Rail System that has been subject to fall arrest or impact force must be immediately removed from service and all components must be inspected by a Competent Person prior to being used again.
  - Do not connect to the system while it is being installed.
  - Ensure the system is appropriately rated for the number of simultaneous users.
  - When unpacking the cable it may rapidly uncoil. Use proper safety procedures and appropriate personal protective equipment when unpacking cable.
  - Only use approved connectors to attach body harness to the system. Do not use any additional connecting devices.
  - Use only cable specified and approved in the Product Instructions.
  - Do not interfere with the locking action of the shuttle/sleeve device. Only manipulate the device to attach and detach from the system.
  - Always maintain three points of contact while climbing. Refer to the Product Instructions for further information on proper climbing technique.
  - Ensure that fall protection systems/subsystems assembled from components made by different manufacturers are compatible and meet the requirements of applicable standards, including the ANSI Z359 or other applicable fall protection codes, standards, or requirements. Always consult a Competent and/or Qualified Person before using these systems.
- **To reduce the risks associated with working at height which, if not avoided, could result in serious injury or death:**
  - Ensure your health and physical condition allow you to safely withstand all of the forces associated with working at height. Consult with your doctor if you have any questions regarding your ability to use this equipment.
  - Never exceed allowable capacity of your fall protection equipment.
  - Never exceed maximum free fall distance of your fall protection equipment.
  - Do not use any fall protection equipment that fails pre-use or other scheduled inspections, or if you have concerns about the use or suitability of the equipment for your application. Contact 3M Technical Services with any questions.
  - Some subsystem and component combinations may interfere with the operation of this equipment. Only use compatible connections. Consult 3M prior to using this equipment in combination with components or subsystems other than those described in the User Instructions.
  - Use extra precautions when working around moving machinery (e.g. top drive of oil rigs), electrical hazards, extreme temperatures, chemical hazards, explosive or toxic gases, sharp edges, or below overhead materials that could fall onto you or your fall protection equipment.
  - Use Arc Flash or Hot Works devices when working in high heat environments.
  - Avoid surfaces and objects that can damage the user or equipment.
  - Ensure there is adequate fall clearance when working at height.
  - Never modify or alter your fall protection equipment. Only 3M or parties authorized in writing by 3M may make repairs to the equipment.
  - Prior to use of fall protection equipment, ensure a rescue plan is in place which allows for prompt rescue if a fall incident occurs.
  - If a fall event occurs, immediately seek medical attention for the worker who has fallen.
  - Do not use a body belt for fall arrest applications. Use only a Full Body Harness.
  - Minimize swing falls by working as directly below the anchorage point as possible.
  - If training with this device, a secondary fall protection system must be utilized in a manner that does not expose the trainee to an unintended fall hazard.
  - Always wear appropriate personal protective equipment when installing, using, or inspecting the device/system.

Prior to installation and use of this equipment, record the product identification information from the ID label in the Inspection and Maintenance Log (Table 2) at the back of this manual.

Always ensure you are using the latest revision of your 3M instruction manual. Visit the 3M website or contact 3M Technical Services for updated instruction manuals.

**PRODUCT DESCRIPTION:**

Figure 1 illustrates the 3M™ DBI-SALA® Lad-Saf™ Ladder Safety System. The Lad-Saf Ladder Safety System is designed to protect a worker in the event of a fall while climbing a fixed ladder or similar climbing structure. The Lad-Saf System is comprised of the Top Bracket, a wire cable, the Cable Sleeve, the Cable Guide, the System Tag, and the Bottom Bracket. The Top Bracket (A) is secured at the top of the ladder and anchors the Cable (B) in coordination with the Bottom Bracket (F), which is secured at the bottom of the ladder. The Cable Sleeve (C) moves up and down the Cable with the user and attaches to the frontal D-Ring of the user’s harness. The Cable Guide (D) ensures that the Cable remains in place. The System Tag (E) displays important safety information and should be placed at a point on or near the system. The System Tag is visible as Label “E” in Figure 10.

Figure 2 illustrates components of the Lad-Saf X3 Cable Sleeve. The Cable Sleeve is comprised of the Upper Roller, the Rotating Side Plate, the Handle, the Sleeve Body, the Locking Lever, the Lower Roller, the Carabiner, and the Locking Cam. The Upper Roller (A) secures the Cable Sleeve to the Cable in coordination with the Lower Roller (F). The Rotating Side Plate (B) and Handle (C) open to allow placement of the Cable Sleeve on the Cable. The Sleeve Body (D) makes up the main structure of the Cable Sleeve. The Locking Lever (E) locks the Cable Sleeve and prevents unintentional opening of the device. The Locking Cam (H) holds the Cable Sleeve in place when locked. The Carabiner (G) attaches to the front D-Ring of the user’s harness.

See Table 1 for Component Specifications of the Lad-Saf X3 Vertical Cable Safety Sleeve and System.

**Table 1 – Specifications**

<b>System Specifications:</b>					
<b>System Installation:</b>	<b>Installation Instructions</b>	<b>System Type</b>	<b>System Description</b>		
	5908282	Vertical	Lad-Saf Flexible Cable Safety System		
	5903435	Vertical	Lad-Saf Flexible Cable Safety System with Swivel D-Ring		
<b>Lad-Saf Cable Sleeve:</b>	<b>Item Number</b>	<b>Activation Force</b>	<b>Max Deployment Length</b>	<b>Minimum Breaking Strength</b>	<b>Weight</b>
	6160054	450 lbf (2.0 kN)	4.0 in. (102 mm)	3,600 lbf (16 kN)	2.1 lb. (1.0 kg)
<b>Capacity:</b>	Each user must have a combined weight (clothing, tools, etc.) of 88 lb. to 310 lb. (40 kg to 140 kg). The Lad-Saf System may have up to four simultaneous users, but each Lad-Saf X3 Vertical Cable Safety Sleeve may have only one user attached. For additional users, additional Cable Sleeves must be used.				
<b>Anchorage Requirements:</b>	<b>Number of Users</b>	<b>Anchorage Strength</b>	<b>Number of Users</b>	<b>Anchorage Strength</b>	
	1	2,700 lbf (12 kN)	3	3,940 lbf (17.5 kN)	
	2	3,320 lbf (14.8 kN)	4	4,560 lbf (20.3 kN)	
<b>Service Temperature:</b>	-40°F to 140°F (-40°C to 60°C)				
<b>Standards:</b>	The Lad-Saf X3 Vertical Cable Safety Sleeve and System have been tested in accordance with the standards identified on the front cover of these User Instructions.				
<b>Cable Specifications:</b>	The Lad-Saf X3 Cable Sleeve may only be used with a 3/8 in. (9.5 mm) diameter solid core cable. Use with any other cable is prohibited and could result in serious injury or death.				
	<b>Item Number</b>	<b>Description</b>	<b>Material</b>	<b>Minimum Breaking Strength</b>	<b>Weight</b>
	6104XXX / CE 6134XXX	3/8 in. (9.5 mm), 1 x 7	Galvanized Steel	15,400 lbf (68.4 kN)	0.27 lb. / ft. (0.41 kg / m)
	6105XXX / CE 6135XXX	3/8 in. (9.5 mm), 1 x 7	Stainless Steel	18,000 lbf (80 kN)	0.27 lb. / ft. (0.41 kg / m)
	6106XXX / CE 6136XXX	3/8 in. (9.5 mm), 7 x 19	Galvanized Steel	14,400 lbf (64 kN)	0.27 lb. / ft. (0.41 kg / m)
6107XXX / CE 6137XXX	3/8 in. (9.5 mm), 7 x 19	Stainless Steel	12,000 lbf (53.3 kN)	0.27 lb. / ft. (0.41 kg / m)	

**Table 1 – Specifications**

**Component Specifications:**

**Lad-Saf Ladder Safety System:**

<b>Figure 1 Reference</b>	<b>Component</b>	<b>Materials</b>
(A)	Top Bracket	Galvanized Steel or Stainless Steel
(B)	Cable	Galvanized Steel or Stainless Steel
(C)	Cable Sleeve	Stainless Steel
(D)	Cable Guide	Urethane
(E)	System Tag	Stainless Steel
(F)	Bottom Bracket	Galvanized Steel or Stainless Steel

**Lad-Saf Cable Sleeve:**

<b>Figure 2 Reference</b>	<b>Component</b>	<b>Materials</b>
(A)	Upper Roller	Nylon
(B)	Rotating Side Plate	Stainless Steel
(C)	Handle	Stainless Steel
(D)	Sleeve Body	Stainless Steel
(E)	Locking Lever	Stainless Steel
(F)	Lower Roller	Nylon
(G)	Carabiner	Zinc-Plated Steel
(H)	Locking Cam	Stainless Steel

## 1.0 PRODUCT APPLICATION

- 1.1 PURPOSE:** The Lad-Saf™ Ladder Safety System is part of a personal fall protection system. When used in combination with the Lad-Saf™ Detachable Cable Sleeve, the Lad-Saf Ladder Safety System is designed to protect a worker in the event of a fall while climbing a fixed ladder or similar climbing structure.

**Fall Arrest Only:** Do not use the Lad-Saf Ladder Safety System for any purpose other than Fall Arrest.

- 1.2 STANDARDS:** Your Ladder Safety System conforms to the national or regional standard(s) identified on the front cover of these instructions. If this product is resold outside the original country of destination, the re-seller must provide these instructions in the language of the country in which the product will be used.
- 1.3 SUPERVISION:** Use of the Lad-Saf Ladder Safety System must be supervised by a Competent Person<sup>1</sup>. Installation of the Lad-Saf Ladder Safety System must be supervised by a Qualified Person<sup>2</sup>.
- 1.4 TRAINING:** The Lad-Saf Ladder Safety System must be installed and used by persons trained in its correct application. This manual is to be used as part of an employee training program as required by national, regional, or local standards. It is the responsibility of the installers of this equipment to ensure they are familiar with these instructions, trained in the correct care and use of this equipment, and are aware of the operating characteristics, application limitations, and consequences of improper use of this equipment.
- 1.5 RESCUE PLAN:** When using this equipment and connecting subsystem(s), the employer must have a rescue plan and the means at hand to implement and communicate that plan to users, authorized persons<sup>3</sup>, and rescuers<sup>4</sup>. A trained, on-site rescue team is recommended. Team members should be provided with the equipment and techniques to perform a successful rescue. Training should be provided on a periodic basis to ensure rescuer proficiency.
- 1.6 INSPECTION FREQUENCY:** The Ladder Safety System shall be inspected by the user before each use and, additionally, by a competent person other than the user at intervals of no longer than one year.<sup>5</sup> Inspection procedures are described in the "Inspection and Maintenance Log". Results of each Competent Person inspection should be recorded on copies of the "Inspection and Maintenance Log".
- 1.7 AFTER A FALL:** If the Lad-Saf System is subjected to the forces of arresting a fall, it must be removed from service immediately and clearly marked "DO NOT USE". The Lad-Saf Cable Safety Sleeve and System must then be destroyed or forwarded to 3M for replacement.

## 2.0 SYSTEM REQUIREMENTS

- 2.1 ANCHORAGE:** Anchorage requirements vary with the fall protection application. Structure on which the Ladder Safety System is placed or mounted must meet the Anchorage specifications defined in Table 1.
- 2.2 HAZARDS:** Use of this equipment in areas with environmental hazards may require additional precautions to prevent injury to the user or damage to the equipment. Hazards may include, but are not limited to: heat, chemicals, corrosive environments, high voltage power lines, explosive or toxic gases, moving machinery, sharp edges, or overhead materials that may fall and contact the user or Personal Fall Arrest System.
- 2.3 CLIMB ASSIST COMPATIBILITY:** Do not use a Powered Climb Assist (PCA) with a 3M Climbing Ladder Fall Arrest System (CLFAS), including the Lad-Saf Vertical Lifeline System and Lad-Saf X2, X3 or X3+ Detachable Cable Sleeves, unless the PCA has been verified by 3M as being compatible with 3M's CLFAS. Failure to comply with this warning could result in a user's fall not being safely arrested in the event of a fall from height while using incompatible PCA and CLFAS systems. Contact 3M Technical Service at 3MFallProtectionTech@mmm.com with any questions.

Use of Climb Assist Systems that are not compatible with 3M Vertical Systems could result in serious injury or death.

- 2.4 COMPONENT COMPATIBILITY:** 3M equipment is designed for use with 3M approved components and subsystems only. Substitutions or replacements made with non-approved components or subsystems may jeopardize compatibility of equipment and may affect the safety and reliability of the complete system.
- 2.5 CONNECTOR COMPATIBILITY:** Connectors are considered to be compatible with connecting elements when they have been designed to work together in such a way that their sizes and shapes do not cause their gate mechanisms to inadvertently open regardless of how they become oriented. Contact 3M if you have any questions about compatibility. Connectors (hooks, carabiners, and D-rings) must be capable of supporting at least 5,000 lbf (22.2 kN). Connectors must be compatible with the anchorage or other system components. Do not use equipment that is not compatible. Non-compatible connectors may unintentionally disengage (see Figure 4). Connectors must be compatible in size, shape, and strength. If the connecting element to which a snap hook or carabiner attaches is undersized or irregular in shape, a situation could occur where the connecting element applies a force to the gate of the snap hook or carabiner (A). This force may cause the gate to open (B), allowing the snap hook or carabiner to disengage from the connecting point (C). Self-locking snap hooks and carabiners are required by ANSI Z359 and OSHA.

- 
- 1 Competent Person:** A person who is capable of identifying existing and predictable hazards in the surroundings or working conditions which are unsanitary, hazardous, or dangerous to employees, and who has authorization to take prompt corrective measures to eliminate them.
- 2 Qualified Person:** A person with a recognized degree, certificate or professional standing, or who by extensive knowledge, training and experience, has successfully demonstrated his ability to solve or resolve problems relating to fall protection and rescue systems to the extent required by OSHA or other applicable federal, state, and local regulations.
- 3 Authorized Person:** A person assigned by the employer to perform duties at a location where the person will be exposed to a fall hazard.
- 4 Rescuer:** Person or persons other than the rescue subject acting to perform an assisted rescue by operation of a rescue system.
- 5 Inspection Frequency:** Extreme working conditions (harsh environments, prolonged use, etc.) may require increasing the frequency of Competent Person inspections.



**2.6 MAKING CONNECTIONS:** Snap hooks and carabiners used with this equipment must be self-locking. Ensure all connections are compatible in size, shape and strength. Do not use equipment that is not compatible. Ensure all connectors are fully closed and locked.

3M connectors (snap hooks and carabiners) are designed to be used only as specified in each product's user's instructions. See Figure 5 for examples of inappropriate connections. Do not connect snap hooks and carabiners:

- A. To a D-ring to which another connector is attached.
- B. In a manner that would result in a load on the gate. Large throat snap hooks should not be connected to standard size D-rings or similar objects which will result in a load on the gate if the hook or D-ring twists or rotates, unless the snap hook complies is equipped with a 3,600 lb (16 kN) gate. Check the marking on your snap hook to verify that it is appropriate for your application.
- C. In a false engagement, where features that protrude from the snap hook or carabiner catch on the anchor, and without visual confirmation seems to be fully engaged to the anchor point.
- D. To each other.
- E. Directly to webbing or rope lanyard or tie-back (unless the manufacturer's instructions for both the lanyard and connector specifically allows such a connection).
- F. To any object which is shaped or dimensioned such that the snap hook or carabiner will not close and lock, or that roll-out could occur.
- G. In a manner that does not allow the connector to align properly while under load.

### 3.0 INSTALLATION

For more information on Lad-Saf System installation procedures, refer to the product Installation Instructions. See IFU 5908282 or IFU 5903435 for more information.

**3.1 PLANNING:** Plan your use of the Lad-Saf Ladder Safety System before starting work. Account for all factors that may affect your safety before, during, and after a fall. Consider all requirements, limitations, and specifications defined in Section 2 and Table 1.

- Ensure the system is rated for the required number of users.
- There are hazards associated with connecting and disconnecting from the system. Use secondary fall arrest protection. Ensure adequate anchor points, landing platforms, or other means are available at connection and disconnection points to allow safe transitions to and from the system.
- A minimum fall clearance of 7.0 ft. (2.0 m) is required between the user's feet and surface below. The user may not be protected against hitting the ground or landing during the first 7.0 ft. (2.0 m) of ascent or last 7.0 ft. (2.0 m) of descent. Use proper climbing procedures (e.g. maintain three points of contact with hands and feet) when ascending or descending any portion of the ladder unprotected by the Lad-Saf™ system.
- Use proper safety procedures when climbing. Do not carry tools or equipment by hand. Keep your hands free for climbing. Secure carried items to avoid dropping them on climbers below. Climb within your ability. Long climbs may require several rest stops during ascent or descent to avoid exhaustion. Use proper work positioning equipment for rest breaks. Do **not** climb in high winds or severe weather.
- Ensure only one user is climbing between cable guides.

**3.2 CONNECTING THE CABLE SLEEVE TO THE CARRIER CABLE:** The Lad-Saf X3 Vertical Cable Safety Sleeve must be connected to a 3M Lad-Saf Ladder Safety System to be used. See Figure 7 for reference. To connect the Lad-Saf X3 Cable Sleeve to the carrier cable of the Lad-Saf System:

1. **Position the sleeve so that the the "up" arrow on the sleeve (I) is pointing to the ascending direction.**
2. **Rotate the locking lever (E) to the unlocked position.** Figure 3 shows locked (A) and unlocked (B) locking lever positions. The locking lever is on both sides of the detachable cable sleeve for both right and left hand operation.
3. **Pull back on the rotating side plate (B) to its furthest position.** Once the rotating side plate is in its furthest rotated position, the locking lever (E) may be released. The locking cam (H) will be fully extended.
4. **Rotate the handle (C) to its full upright position.** This will allow the locking cam to drop out of the way in order to install the sleeve on the cable.
5. **Hold the sleeve upright and insert the cable (J) through the slot on the side of the sleeve with a lifting motion upwards.** Position the cable in the sleeve recess. Release the handle (C), rotating side plate (B) and locking lever (E) to lock the sleeve on the cable. **Ensure the locking lever (E) is in the locked position before use.**

**3.3 CONNECTING THE CABLE SLEEVE TO THE HARNESS:** Connection between the Cable Sleeve and the Full Body Harness may be done before or after the Cable Sleeve has been installed onto the Lad-Saf System. A secondary Fall Protection system is recommended when connecting to or disconnecting from the Lad-Saf System. Handling the sleeve during ascent or descent exposes the user to fall hazards. The Lad-Saf System must have a maximum angle of 15° from vertical at all times during use.

Do not use other connecting devices or combine devices (e.g. Lanyard) with the connector supplied with Cable Sleeve. Always use the carabiner connector supplied with the Cable Sleeve during use. Do not substitute with other connectors.

- **ASCENDING:** To ascend the structure climb up while maintaining three points of contact at all times (with hands and feet). The Lad-Saf X3 Detachable Cable Sleeve will follow the climber. The carrier cable is snapped out of the cable guides as they are encountered. **Do not handle or remove the sleeve from the carrier cable when passing the cable guides or if the sleeve locks.**
- **DESCENDING:** To descend the structure, climb down smoothly while maintaining three points of contact at all times (with hands and feet). Allow the Lad-Saf X3 Detachable Cable Sleeve to "lead" the climber down. Climbing down out of position (e.g., leaning back excessively or climbing erratically) may cause the sleeve to lock onto the carrier cable. If the sleeve locks, climb upward slightly to allow the sleeve to unlock and then continue to descend the structure. Reconnect the carrier cable into the cable guides after passing each cable guide. **Do not handle or remove the sleeve from the carrier cable when passing the cable guides or if the sleeve locks.**
- **DISCONNECT:** When climbing is completed, disconnect the Cable Sleeve from the system. See Figure 2 for component references.
  1. Remove the sleeve from the cable by rotating the Locking Lever (E).
  2. Pull back on the Side Plate (B) and pivot the Handle (C) to its full upright position.
  3. the sleeve can now be removed from the cable and be properly stored.

### 4.0 USE

**4.1 BEFORE EACH USE:** Verify that your work area and Personal Fall Arrest System (PFAS) meet all criteria defined in Section 2 and that a formal Rescue Plan is in place. Inspect the Lad-Saf System per the 'User' inspection points defined on the "Inspection and Maintenance Log" (Table 2). If inspection reveals an unsafe or defective condition, do not use the system. Remove the system from service immediately and clearly mark "DO NOT USE". The Lad-Saf Vertical Cable Safety Sleeve and System must then be destroyed or sent to 3M for replacement.

**4.2 SYSTEM CONNECTIONS:** The Lad-Saf System must be used with a Full Body Harness. The Full Body Harness to ANSI 2359.11, CSA Z259.10, EN 361, or other applicable national, regional, or local standard. For proper fitting of your Full Body Harness, refer to the manufacturer's instructions. To connect to your Full Body Harness, connect the Carabiner of

the Lad-Saf System to the frontal D-Ring (A) of your Full Body Harness. Use with any other connector or D-Ring on your Full Body Harness is prohibited.

OSHA 1910.29 and OSHA 1926.1053 state that the length of connection between the carrier and attachment point must not exceed 9 inches (23 cm).

## 5.0 INSPECTION

- 5.1 INSPECTION FREQUENCY:** The Lad-Saf System must be inspected at the intervals defined in Section 1. Inspection procedures are described in the "Inspection and Maintenance Log" (Table 2). Inspect all other components of the Fall Protection System per the frequencies and procedures defined in the manufacturer's instructions.
- 5.2 DEFECTS:** If inspection reveals an unsafe or defective condition, or if any doubt should arise as to the condition of the system, remove the Lad-Saf System from service immediately and clearly mark "DO NOT USE". The Lad-Saf Vertical Cable Safety Sleeve and System must then be destroyed or sent to 3M for replacement. Do not attempt to repair the system.
- 5.3 PRODUCT LIFE:** The functional life of the Lad-Saf System is determined by work conditions and maintenance. As long as the product passes inspection criteria, it may remain in service.

## 6.0 MAINTENANCE, SERVICING, STORAGE

- 6.1 CLEANING THE SYSTEM:** See Section 5.0 for inspection-related maintenance issues. If the carrier cable becomes heavily soiled with oil, grease, paint, or other substances, clean it with warm soapy water. Wipe off the cable with a clean, dry cloth. Do not force dry with heat. Do not use acid or caustic chemicals that could damage the cable.

Additional maintenance and servicing procedures must be completed by an authorized service center. Authorization must be in writing.

- 6.2 CLEANING THE CABLE SLEEVE:** A soiled Lad-Saf X3 Vertical Cable Safety Sleeve may be cleaned using the following procedure:
1. Mix four parts warm water with one part mild cleaning solution (e.g. Simple Green or similar solution).
  2. Submerge the Cable Sleeve in the solution and soak the entire Cable Sleeve in the mixture for 2-3 hours.
  3. Remove the Cable Sleeve from the solution and rinse with warm water for at least 1 minute. Be sure to remove any excess dirt build-up.
  4. Allow the Cable to air-dry for 24 hours prior to use. Using cool, forced air is acceptable.
  5. See Figure 2 for reference. Apply a small amount of lubrication to pivot points (E) or at the base of the side plate (B).
  6. Complete a pre-use inspection as specified in Section 5.3. Confirm no debris is lodged internally, which could affect Cable Sleeve operation.
- 6.3 STORAGE AND TRANSPORTATION:** Store the Lad-Saf X3 Vertical Cable Safety Sleeve in a cool, dry, clean environment, out of direct sunlight. Avoid areas where chemicals vapors exist. Thoroughly inspect the sleeve after extended storage.
- Transport the Lad-Saf Cable Sleeve in an enclosure to protect it from any cuts, moisture or ultraviolet light. Avoid corrosive, overheated or refrigerated atmospheres.
- 6.4 SERVICE:** Only 3M or parties authorized in writing by 3M may make repairs to this equipment. If the Lad-Saf Vertical Cable Safety Sleeve and System have been subject to fall force or inspection reveals an unsafe or defective conditions, remove the system from service immediately and clearly mark "DO NOT USE". The Lad-Saf Vertical Cable Safety Sleeve and System must then be destroyed or sent to 3M for replacement.

## 7.0 RFID TAG

- 7.1 LOCATION:** 3M product covered in these user instructions is equipped with a Radio Frequency Identification (RFID) Tag. RFID Tags may be used in coordination with an RFID Tag Scanner for recording product inspection results. See Figure 8 for where your RFID Tag is located.
- 7.2 DISPOSAL:** Prior to disposing of this product, remove the RFID Tag and dispose/recycle in accordance with local regulations. For additional information on how to remove the RFID Tag, please refer to the website link below.



Do not dispose of your product as unsorted municipal waste. The crossed-out wheellie bin symbol indicates that all EEE (Electrical and Electronic Equipment) must be disposed of according to local law through available return and collection systems. Please contact your dealer or your local 3M representative for further information.

For more information, please visit our website: <http://www.3M.com/FallProtection/RFID>



**8.0 LABELS and MARKINGS**

**8.1 LABELS:** Figure 9 illustrates label locations on the Lad-Saf Ladder Safety System. Figure 10 illustrates each label in detail. Labels without a listed location on the system must be placed at a location near the Lad-Saf System. Information provided on each label is as follows:

A	A) Cable Sleeve Model Number B) Serial Number C) Warning Statement - Follow all instructions for use. D) Read all user instructions. E) One user maximum. F) Applicable Standard G) Notified Body Detail H) User Weight Requirements
B	A) "Up" orientation of Cable Sleeve for use.
C	A) Maximum distance allowed between system cable and harness attachment point is 9.0 in. (23 cm). B) Do not use the Cable Sleeve with a Lanyard. Do not modify the system in any way.
D	ID/Lot Number (YYMMWWTT): YY = last two digits of year of manufacture. MM = month of manufacture. WW = week of year of manufacture. TT = internal 3M use only.
E	1) Installation Date 2) Installed By 3) Anchorage Requirements 4) Maximum Number of Users per System 5) System Length 6) Date of Manufacture 7) Date Inspected 8) Serial Number 9) System Warnings 10) Cable type and sleeve compatibility matrix along with standards certification. 11) RFID Tag (see Section 7.0)

**Table 2 – Inspection and Maintenance Log**

<b>Inspection Date:</b>		<b>Inspected By:</b>	
<b>Component:</b>	<b>Inspection:</b> (See Section 2 for <i>Inspection Frequency</i> )	<b>User</b>	<b>Competent Person</b>
Cable Sleeve (Figure 2)	Inspect the Handle (C) for bends, cracks, and deformities. All fasteners must be securely attached. Operation of handle and cam must be free and smooth. Springs must be secure and of sufficient strength to pull handle down. The Handle also acts as an energy absorber and fall indicator. The Handle will be deformed if it has been used for fall arrest. Figure 11.3 shows an example of a Handle that has not been used for fall arrest (A) and a Handle that has been used for fall arrest and is deformed (B). If the Handle is deformed greater than A = 1/2 inch (12.7mm) Do not use. The sleeve must be removed from service.	<input type="checkbox"/>	<input type="checkbox"/>
	Inspect the Locking Lever (E) for smooth operation, ensuring it springs back into its locked position when released.	<input type="checkbox"/>	<input type="checkbox"/>
	Inspect the Locking Cam (H) for wear. Confirm that there is no damage to the cam.	<input type="checkbox"/>	<input type="checkbox"/>
	Inspect the Locking Cam (H) by holding the sleeve vertically with the Handle (C) in the upright position and shaking the sleeve up and down to simulate a fall. The cam should rotate freely.	<input type="checkbox"/>	<input type="checkbox"/>
	Inspect the Locking Cam (H) by positioning the sleeve horizontally with the Handle (C) in the upright position and placing the sleeve on the back side on a flat surface with the Lad-Saf X3 label facing up. The cam should rotate fully upwards to the top of the sleeve.	<input type="checkbox"/>	<input type="checkbox"/>
	Inspect the operation of the Side Plate (B) by pulling it back to try to open the cable slot. It must not rotate. If it does rotate without having to rotate the Locking Lever (E), remove the sleeve from service.	<input type="checkbox"/>	<input type="checkbox"/>
	Inspect the entire unit for signs of corrosion.	<input type="checkbox"/>	<input type="checkbox"/>
Top Bracket (Figure 11.2)	Inspect for proper installation per Lad-Saf™ Flexible Cable Vertical Safety Systems Installation Instructions, 3M Fall Protection manual 5908282 or 5903435.	<input type="checkbox"/>	<input type="checkbox"/>
	Check for visible damage or corrosion. Look for cracks, bends or wear that could affect the strength and operation of the system. Inspect welds. Look for cracked or broken welds that could affect strength of bracket. Replace parts if defects are found.	<input type="checkbox"/>	<input type="checkbox"/>
	Check for loose or missing fasteners that secure top bracket to structure (bolts, clamp plates, U bolts). If fasteners are loose, re-tighten as necessary to the torque levels listed in the Installation Instructions supplied with your Lad-Saf Flexible Cable Safety System.	<input type="checkbox"/>	<input type="checkbox"/>
	Inspect top plate for deformation. Gap shall be 0.20 inch (5 mm) minimum at location A.	<input type="checkbox"/>	<input type="checkbox"/>
	Ensure both the large pin (B) and the small pin are in place. Ensure the spring gate (C) is in place.	<input type="checkbox"/>	<input type="checkbox"/>
	Inspect the single point anchor (D) for cracks or signs of damage. Inspect the torque of the fastener. Ensure washer has visible markings.	<input type="checkbox"/>	<input type="checkbox"/>
Bottom Bracket (Figure 11.1)	Inspect for proper installation per Lad-Saf™ Flexible Cable Vertical Safety Systems Installation Instructions, 3M Fall Protection manual 5908282 or 5903435.	<input type="checkbox"/>	<input type="checkbox"/>
	Check for damage or corrosion. Look for cracks, bends or wear that could affect the strength and operation of the system. Replace parts if defects are found.	<input type="checkbox"/>	<input type="checkbox"/>
	Check for loose or missing fasteners that secure bottom bracket to the structure. If fasteners are loose, re-tighten as necessary to the torque levels listed in the Installation Instructions supplied with your Lad-Saf Flexible Cable Ladder Safety System.	<input type="checkbox"/>	<input type="checkbox"/>
	Inspect the tension rod assembly. Make certain saddle clips securely retain the cable. Check torque on saddle clamps; torque to 35 ft-lb (47 N-m). Replace or retighten if defects are found.	<input type="checkbox"/>	<input type="checkbox"/>



**Table 2 – Inspection and Maintenance Log**

<b>Inspection Date:</b>		<b>Inspected By:</b>	
<b>Component:</b>	<b>Inspection:</b> (See Section 2 for <i>Inspection Frequency</i> )	<b>User</b>	<b>Competent Person</b>
Cable Guides (Figure 1)	Check cable guides for damage. Look for wear or damage to black urethane. Cable guides should restrain the cable and prevent cable contact with the ladder/structure. Cable guides should be positioned at approximately 20-40 ft. (6-12 m) along the carrier cable, or closer if required. Replace parts if defects are found.	<input type="checkbox"/>	<input type="checkbox"/>
	Check cable guide fasteners. The fasteners should secure the cable guide in position. Tighten as necessary.	<input type="checkbox"/>	<input type="checkbox"/>
Cable (Figure 1)	Inspect the cable for corrosion, kinks or damage that will affect strength and impede the cable sleeve from traveling on the cable. If there are any nicks or kinks in the ladder cable, the cable must be inspected by a competent person prior to use. Inspect for signs of abrasion against the ladder or structure. Replace the cable if defects are found.	<input type="checkbox"/>	<input type="checkbox"/>
	Inspect for proper tension. Groove should be exposed above bottom template (see callout "E", Figure 11.1). You should not be able to pull tension rod down by hand. Cable should be tight enough to prevent contact with the ladder/structure. Re-tension the cable if necessary. Do not over-tension the system.	<input type="checkbox"/>	<input type="checkbox"/>
Labels (Figure 9)	Ensure that all labels are present and fully legible.	<input type="checkbox"/>	<input type="checkbox"/>
PFAS and Other Equipment	Additional Personal Fall Arrest System (PFAS) equipment (harness, SRD, etc) that are used with the Anchorage System should be installed and inspected per the manufacturer's instructions.	<input type="checkbox"/>	<input type="checkbox"/>
Structure	Verify the structure to which the structure is attached meets the strength requirements from Table 1 in all possible directions of loading.	<input type="checkbox"/>	<input type="checkbox"/>

<b>Serial Number(s):</b>	<b>Date Purchased:</b>
<b>Model Number(s):</b>	<b>Date of First Use:</b>

<b>Corrective Action/Maintenance:</b>	Approved By:	Next inspection due:
	Date:	
<b>Corrective Action/Maintenance:</b>	Approved By:	Next inspection due:
	Date:	
<b>Corrective Action/Maintenance:</b>	Approved By:	Next inspection due:
	Date:	
<b>Corrective Action/Maintenance:</b>	Approved By:	Next inspection due:
	Date:	
<b>Corrective Action/Maintenance:</b>	Approved By:	Next inspection due:
	Date:	
<b>Corrective Action/Maintenance:</b>	Approved By:	Next inspection due:
	Date:	
<b>Corrective Action/Maintenance:</b>	Approved By:	Next inspection due:
	Date:	
<b>Corrective Action/Maintenance:</b>	Approved By:	Next inspection due:
	Date:	
<b>Corrective Action/Maintenance:</b>	Approved By:	Next inspection due:
	Date:	
<b>Corrective Action/Maintenance:</b>	Approved By:	Next inspection due:
	Date:	

## DA SIKKERHEDSOPLYSNINGER

Læs alle sikkerhedsoplysninger i denne brugsanvisning, og sørg for, at du forstår og følger disse, før du bruger dette vertikale system. UNDLADELSE HERAF KAN MEDFØRE ALVORLIG PERSONSKADE ELLER DØDSFALD.

Disse anvisninger skal udleveres til brugeren af udstyret. Opbevar denne vejledning til senere brug.

### Anvendelsesformål:

Dette vertikale system er beregnet til brug som en del af et komplet personligt faldsikringssystem.

Enhver anden brug end denne, herunder eksempelvis materialehåndtering, rekreative eller sportslige aktiviteter eller andre aktiviteter, der ikke er beskrevet i produktvejledningen, er ikke godkendt af 3M og kan medføre alvorlig skade eller død.

Denne anordning må kun benyttes af uddannede brugere til anvendelse på arbejdspladsen.

## ADVARSEL

Dette fleksible kabel-/skinnesystem er en del af et personligt faldsikringssystem. Det forventes, at alle brugere er fuldt uddannet i sikker installation og drift af deres personlige faldsikringssystem. **Misbrug af denne anordning kan medføre alvorlig skade eller død.** Se denne produktvejledningen inklusive alle producentens anbefalinger, tal med en vejleder eller kontakt 3M's tekniske service vedrørende korrekt valg, drift, installation, vedligeholdelse og servicering.

- **For at reducere de risici, der er forbundet med at arbejde med et fleksibelt kabel-/skinnesystem, som, hvis de ikke undgås, kan medføre alvorlig skade eller død, skal du:**
  - Efterse alle komponenter i systemet før hver brug, mindst én gang om året og efter et eventuelt fald. Efterse systemet i overensstemmelse med produktvejledningen.
  - Hvis eftersynet afslører en usikker eller defekt tilstand i et af systemets komponenter, skal komponenten fjernes fra brug og destrueres.
  - Et fleksibelt kabel-/skinnesystem, som har været genstand for faldstandsning eller kraftpåvirkninger fra stød, skal øjeblikkeligt fjernes fra brug, og alle komponenter skal efterses af en kompetent person, før det bruges igen.
  - Forbind ikke til systemet, mens det er ved at blive monteret.
  - Sørg for, at systemet er korrekt vurderet for antallet af samtidige brugere.
  - Når kablet udpakkes, kan den rulle sig hurtigt ud. Benyt de relevante sikkerhedsprocedurer og passende personligt beskyttelsesudstyr, når kablet udpakkes.
  - Brug kun godkendte konnektorer til at fastgøre faldselen til systemet. Brug ikke yderligere tilslutningsenheder.
  - Brug kun kabler, der er angivet og godkendt i produktvejledningen.
  - Grib ikke ind i spole-/muffeanordningens låsefunktion. Håndter kun anordningen for at fastgøre og frigøre det fra systemet.
  - Sørg altid for at have tre kontaktpunkter, når du klatrer. Se produktvejledningen for yderligere oplysninger om korrekt kravleteknik.
  - Sørg for, at faldsikringssystemer/-undersystemer, der er samlet fra komponenter, der er fremstillet af forskellige fabrikanter, er kompatible og opfylder kravene i relevante standarder, inklusive ANSI Z359 eller andre gældende regulativer, standarder for eller krav til faldbeskyttelse. Opsøg altid en kompetent og/eller kvalificeret person, før du anvender disse systemer.
- **For at reducere risici i forbindelse med højdearbejde, som, hvis de ikke undgås, kan medføre alvorlig skade eller død:**
  - Sørg for, at dit helbred og din kondition gør dig i stand til sikkert at kunne modstå alle de kræfter, der er forbundet med højdearbejde. Rådfør dig med din læge, hvis du har spørgsmål vedrørende din evne til at bruge dette udstyr.
  - Overstig aldrig den tilladte kapacitet for dit faldsikringsudstyr.
  - Overstig aldrig den maksimale faldafstand fra dit faldsikringsudstyr.
  - Brug ikke faldsikringsudstyr, som ikke virker ved forudgående brug eller planlagte inspektioner, eller hvis du er bekymret for udstyrets brug eller egnethed til det tilsigtede formål. Kontakt 3M's tekniske service med eventuelle spørgsmål.
  - Kombinationer med visse delsystemer og komponenter kan forstyrre driften af dette udstyr. Brug kun kompatible forbindelser. Rådfør dig med 3M, før du bruger dette udstyr sammen med andre komponenter eller delsystemer end dem, der er beskrevet i brugervejledningen.
  - Vær særligt forsigtig, når du arbejder i nærheden af maskiner, som bevæger sig (f.eks. øverste drev på olieplatforme), elektrisk kortslutning, ekstreme temperaturer, kemiske farer, eksplosive eller giftige gasser, skarpe kanter eller under overliggende materialer, som kan falde ned på dig eller dit faldsikringsudstyr.
  - Brug Arc Flash eller Hot Works (dvs. passende beskyttelses)-anordninger, når du arbejder i miljøer med ekstrem varme.
  - Undgå overflader og genstande, som kan beskadige brugeren eller udstyret.
  - Sørg for tilstrækkelig faldafstand ved højdearbejde.
  - Faldsikringsudstyret må aldrig modificeres eller ændres. Kun 3M eller parter, som 3M skriftligt har bemyndiget, må foretage reparationer på udstyret.
  - Før brug af faldsikringsudstyret skal du sørge for at have en redningsplan, som muliggør hurtig redning i tilfælde af fald.
  - Hvis der sker et fald, skal der straks søges lægehjælp for den faldne arbejder.
  - Brug ikke et kropsbælte til anvendelser, der involverer faldstandsning. Må kun benyttes med komplet kropssele.
  - Svingfald kan minimeres ved så vidt muligt at arbejde lige under forankringspunktet.
  - Hvis der øves med denne anordning, skal der benyttes sekundært faldbeskyttelsesudstyr på en sådan måde, at lærlingen ikke udsættes for utilsigtet faldrisiko.
  - Brug altid passende personlige værnemidler under installation, brug eller inspektion af enheden/systemet.

*Inden udstyret monteres og tages i brug, skal produktidentifikationsoplysningerne fra ID-mærkatene noteres i inspektions- og vedligeholdelsesloggen (tabel 2) på bagsiden af denne manual.*

*Sørg altid for, at du bruger den seneste udgave af din 3M-brugervejledning. Besøg 3M-webstedet, eller kontakt 3M's tekniske service for at få opdaterede brugervejledninger.*

## PRODUKTBEKRIVELSE:

Figur 1 viser 3M™ DBI-SALA® Lad-Saf™-stigesikringssystemet. Lad-Saf-stigesikringssystemet er udviklet til at yde faldsikring for en arbejder, som klatrer på en fastgjort stige eller et lignende klatrestativ. Lad-Saf-systemet består af topbeslaget, et trådkabel, kabelmuffen, kabelskinnen, systemmærkatene og bundbeslaget. Topbeslaget (A) er fastgjort øverst på stigen og forankrer kablet (B) sammen med bundbeslaget (F), der er fastgjort i bunden af stigen. Kabelmuffen (C) bevæger sig op og ned ad kablet sammen med brugeren og fastgøres til den frontale D-ring på brugerens sele. Kabelskinnen (D) sørger for, at kablet holdes på plads. Systemmærkatene (E) viser vigtige sikkerhedsoplysninger og skal placeres på et punkt på eller i nærheden af systemet. Systemmærkatene er synlige som mærkat "E" i figur 10.

Figur 2 viser komponenterne i Lad-Saf X3-kabelmuffen. Kabelmuffen består af den øvre valse, den roterende sideplade, håndtaget, muftelegemet, låsehåndtaget, den nedre valse, karabinhagen og låsebøjlen. Den øvre valse (A) fastgør kabelmuffen til kablet sammen med den nedre valse (F). Den roterende sideplade (B) og håndtaget (C) åbnes for at placere kabelmuffen på kablet. Muftelegemet (D) udgør kabelmuffens hovedkonstruktion. Låsehåndtaget (E) låser kabelmuffen og forhindrer utilsigtet åbning af enheden. Låsebøjlen (H) holder kabelmuffen på plads, når den er låst. Karabinhagen (G) fastgøres til den forreste D-ring på brugerens sele.

Se tabel 1 for komponentspecifikationer for den lodrette Lad-Saf X3-kabelsikringsmuffe og -systemet.

**Tabel 1 – Specifikationer**

Systemspecifikationer:				
<b>Systemmontering:</b>	<b>Monteringsvejledning</b>	<b>Systemtype</b>	<b>Systembeskrivelse</b>	
	5908282	Lodret	Lad-Saf-sikringsystem for fleksible kabler	
	5903435	Lodret	Lad-Saf-sikringsystem for fleksible kabler med drejelig D-ring	
<b>Lad-Saf-kabelmuffe:</b>	<b>Delnummer</b>	<b>Aktiveringskraft</b>	<b>Maks. udløsningslængde</b>	<b>Minimal brudstyrke</b>
	6160054	450 lbf (2,0 kN)	4,0" (102 mm)	3.600 lbf (16 kN)
<b>Kapacitet:</b>	Hver bruger skal have en samlet vægt (tøj, værktøj osv.) på 88 lb. til 310 lb (40 kg til 140 kg). Lad-Saf-systemet kan anvendes af op til fire brugere på samme tid, men der må kun fastgøres én bruger til hver lodrette Lad-Saf X3-kabelsikringsmuffe. For yderligere brugere skal der anvendes yderligere kabelmuffer.			
<b>Krav til forankringspunkter:</b>	<b>Antal brugere</b>	<b>Forankringsstyrke</b>	<b>Antal brugere</b>	<b>Forankringsstyrke</b>
	1	2.700 lbf (12 kN)	3	3.940 lbf (17,5 kN)
	2	3.320 lbf (14,8 kN)	4	4.560 lbf (20,3 kN)
<b>Driftstemperatur:</b>	-40 °F til 140 °F (-40 °C til 60 °C)			
<b>Standarder:</b>	Den lodrette Lad-Saf X3-kabelsikringsmuffe og -systemet er blevet testet i henhold til de standarder, der er angivet på forsiden af denne brugervejledning.			
<b>Kabelspecifikationer:</b>	Lad-Saf X3-kabelmuffen må kun bruges sammen med et kabel med fast kerne på 3/8" (9,5 mm) i diameter. Brug med andre kabler er forbudt og kan medføre alvorlig personskade eller dødsfald.			
	<b>Delnummer</b>	<b>Beskrivelse</b>	<b>Materiale</b>	<b>Minimal brudstyrke</b>
	6104XXX/ CE 6134XXX	3/8" (9,5 mm), 1 x 7	Galvaniseret stål	15.400 lbf (68,4 kN)
	6105XXX/ CE 6135XXX	3/8" (9,5 mm), 1 x 7	Rustfrit stål	18.000 lbf (80 kN)
	6106XXX/ CE 6136XXX	3/8" (9,5 mm), 7 x 19	Galvaniseret stål	14.400 lbf (64 kN)
6107XXX/ CE 6137XXX	3/8" (9,5 mm), 7 x 19	Rustfrit stål	12.000 lbf (53,3 kN)	
	<b>Vægt</b>			
	0,27 lb. /fod (0,41 kg/m)			
	0,27 lb. /fod (0,41 kg/m)			
	0,27 lb. /fod (0,41 kg/m)			
	0,27 lb. /fod (0,41 kg/m)			

**Tabel 1 – Specifikationer**

**Komponentspecifikationer:**

**Lad-Saf-stigesikringssystem:**

<b>Figur 1 Reference</b>	<b>Komponent</b>	<b>Materialer</b>
Ⓐ	Topbeslag	Galvaniseret stål eller rustfrit stål
Ⓑ	Kabel	Galvaniseret stål eller rustfrit stål
Ⓒ	Kabelmuffe	Rustfrit stål
Ⓓ	Kabelskinne	Urethan
Ⓔ	Systemmærkat	Rustfrit stål
Ⓕ	Bundbeslag	Galvaniseret stål eller rustfrit stål

**Lad-Saf-kabelmuffe:**

<b>Figur 2 Reference</b>	<b>Komponent</b>	<b>Materialer</b>
Ⓐ	Øvre valse	Nylon
Ⓑ	Roterende sideplade	Rustfrit stål
Ⓒ	Håndtag	Rustfrit stål
Ⓓ	Muffelegeme	Rustfrit stål
Ⓔ	Låsehåndtag	Rustfrit stål
Ⓕ	Nedre valse	Nylon
Ⓖ	Karabinhage	Galvaniseret stål
Ⓗ	Låsebøjle	Rustfrit stål

## 1.0 PRODUKTANVENDELSE

- 1.1 FORMÅL:** Dette Lad-Saf™-stigesikringsssystem er en del af et personligt faldsikringsystem. Når det bruges i kombination med Lad-Saf™'s aftagelige kabelmuffe, yder Lad-Saf-stigesikringsystemet faldsikring for en arbejder, som klatrer på en fastgjort stige eller et lignende klatrestativ.

**Kun faldsikring:** Brug ikke Lad-Saf-stigesikringsssystemet til andre formål end faldsikring.

- 1.2 STANDARDER:** Dit stigesikringsssystem lever op til de nationale eller regionale standarder, der er angivet på forsiden af denne brugsanvisning. Hvis dette produkt videresælges uden for det oprindelige modtagerland, skal den person, der videresælger, sørge for vejledning i brug, vedligeholdelse, regelmæssig inspektion og reparation på sproget i det land, hvor produktet skal bruges.
- 1.3 VEJLEDNING:** Brugen af Lad-Saf-stigesikringsssystemet skal foregå under opsyn af en kompetent person<sup>1</sup>. Montering af Lad-Saf-stigesikringsssystemet skal foregå under opsyn af en kvalificeret person<sup>2</sup>.
- 1.4 UNDERVISNING:** Lad-Saf-stigesikringsssystemet skal monteres og anvendes af personer, der har gennemgået træning i korrekt anvendelse af udstyret. Denne brugervejledning bør anvendes som en del af et medarbejdertræningsprogram som påkrævet af nationale, regionale eller lokale standarder. Installatørerne af dette udstyr har ansvaret for at sikre, at de er bekendte med denne vejledning, er trænet i korrekt vedligeholdelse og anvendelse af udstyret samt er bekendte med anvendelseskaraktéristika, anvendelsesbegrænsninger og konsekvenserne af forkert anvendelse af udstyret.
- 1.5 REDNINGSPLAN:** Når dette udstyr og tilsluttede delsystemer anvendes, skal arbejdsgiveren have en redningsplan på plads samt midlerne til at implementere den, og vedkommende skal informere brugere, autoriserede personer og reddere om planen.<sup>3</sup>, og reddere<sup>4</sup>. Det anbefales at have et redningshold på stedet. Reddere skal forsynes med udstyr og teknikker til gennemførelse af en vellykket redning. Undervisning skal gennemføres med jævne mellemrum for at sikre, at redderne har de fornødne færdigheder.
- 1.6 INSPEKTIONSHYPPIGHED:** Lad-Saf-stigesikringsssystemet skal inspiceres af brugeren før hver anvendelse og desuden af en anden kompetent person end brugeren mindst én gang om året.<sup>5</sup> Inspektionsprocedurer er beskrevet i "Inspektions- og vedligeholdelsesloggen". Resultaterne af hver inspektion, der foretages af en kvalificeret person, skal dokumenteres på eksemplarer af "Inspektions- og vedligeholdelsesloggen".
- 1.7 EFTER ET FALD:** Hvis Lad-Saf-stigesikringsssystemet har været udsat for kraftpåvirkningerne ved en faldstandsning, skal den straks tages ud af brug og mærkes "MÅ IKKE BRUGES". Lad-Saf-kabelsikkerhedsmuffen og -systemet skal derefter destrueres eller sendes til 3M med henblik på udskiftning.

## 2.0 SYSTEMKRAV

- 2.1 FORANKRING:** Kravene til forankring varierer alt efter faldsikringsanvendelsen. Strukturen, på hvilken stigesikringsssystemet placeres eller monteres, skal opfylde forankrings-specifikationerne, der er defineret i tabel 1.
- 2.2 FARER:** Brug af dette udstyr i områder med miljøfarer kan kræve yderligere sikkerhedsforanstaltninger for at undgå personskade eller beskadigelse af udstyret. Faremomenter kan omfatte, men er ikke begrænset til: varme, kemikalier, korrosive miljøer, højspændingsledninger, eksplosive eller giftige gasser, kørende maskineri, skarpe kanter eller overliggende materialer, som kan falde ned og ramme brugeren eller det personlige faldstandsningssystem.
- 2.3 CLIMB ASSIST-KOMPATIBILITET:** Brug ikke en PCA (Powered Climb Assist) sammen med et CLFAS (Climbing Ladder Fall Arrest System) fra 3M, herunder det lodrette Lad-Saf-livlinesystem og Lad-Saf X2, X3 eller X3+ med aftagelige kabelmuffer, medmindre det er blevet bekræftet af 3M, at PCA'en er kompatibel med 3M's CLFAS. Hvis denne advarsel ikke efterkommes, kan det medføre, at en brugers fald ikke forhindres effektivt i tilfælde af et højt fald, hvor der anvendes uforenelige PCA- og CLFAS-systemer. Kontakt 3M's tekniske service på 3MFallProtectionTech@mmm.com med eventuelle spørgsmål.

Brug af Climb Assist-systemer, der ikke er kompatible med vertikale 3M-systemer, kan forårsage alvorlig personskade eller dødsfald.

- 2.4 KOMPONENTKOMPATIBILITET:** 3M-udstyr er kun beregnet til brug med 3M-godkendte komponenter og delsystemer. Erstatninger eller udskiftninger med ikke-godkendte komponenter eller delsystemer kan bringe udstyrets kompatibilitet i fare og kan påvirke det komplette systems sikkerhed og pålidelighed.
- 2.5 KONNEKTORKOMPATIBILITET:** Konnektorer betragtes som kompatible med forbindelsesanordninger, når de er konstrueret til at fungere sammen på en sådan måde, at størrelserne og formerne ikke får deres ledmekanismer til utilsigtet at åbne sig, uanset hvordan de bliver vendt. Kontakt 3M, hvis du har spørgsmål vedrørende kompatibilitet. Konnektorer (kroge, karabinhager og D-ringe) skal kunne klare en belastning på mindst 22,2 kN (5.000 lbf). Konnektorer skal være kompatible med forankringen og andre systemkomponenter. Anvend ikke udstyr, der ikke er kompatibelt. Ikke-kompatible konnektorer kan løsrive sig eller blive frakoblet ved et uheld (se Figur 4). Konnektorer skal være kompatible med hensyn til størrelse, form og styrke. Hvis tilslutningselementet, som en snapkrog eller karabinhage er fastgjort til, er for lille eller har en uregelmæssig form, kan der opstå en situation, hvor tilslutningselementet belaster snapkrogens eller karabinhagens led (A). Denne belastning kan medføre, at leddet åbnes (B), så snapkrogen eller karabinhagen frigøres fra tilslutningspunktet (C).

Selvåsende snapkroge og karabinhager påkræves af ANSI Z359 og OSHA.

- 1 Kompetent person:** En person, som er i stand til at identificere eksisterende og forudsigelige risici i omgivelserne eller arbejdsbetingelser, som er usunde, skadelige eller farlige for medarbejderne, og som har bemyndigelse til at træffe øjeblikkelige korrigerende forholdsregler for at eliminere dem.
- 2 Kvalificeret person:** En person med en anerkendt uddannelse, certifikat eller professionelt omdømme eller som gennem omfattende viden, træning og erfaring har påvist sin evne til at løse problemer i forbindelse med faldsikring og redningssystemer i det omfang, som kræves af OSHA eller andre gældende føderale, statslige og lokale bestemmelser.
- 3 Autoriseret person:** En person, der er udpeget af arbejdsgiveren til at udføre opgaver på et sted, hvor personen vil være udsat for en faldrisiko
- 4 Redder:** Den person eller de personer ud over den person, der bliver reddet, som udfører en assisteret undsætning ved brug af et redningssystem.
- 5 Inspektionshyppighed:** Ekstreme arbejdsforhold (barskt miljø, langvarig brug osv.) kan gøre det nødvendigt at øge den kvalificerede persons inspektionshyppighed.



**2.6 OPRETTELSE AF SAMMENKOBLINGER:** Snapkroge og karabinhager anvendt med dette udstyr skal være selvlåsende. Sørg for, at alle forbindelser er kompatible i størrelse, form og styrke. Anvend ikke udstyr, der ikke er kompatibelt. Sørg for, at alle konnektorer er helt lukkede og låste.

3M-konnektorer (snapkroge og karabinhager) er udelukkende konstrueret til brug som specificeret i hvert produkts brugsanvisning. Se Figur 5 for eksempler på forkerte forbindelser. Tilslut ikke snapkroge og karabinhager:

- A. Til en D-ring, som en anden konnektor er fastgjort til.
- B. På en måde, som vil medføre belastning på leddet. Store snapkroge med halsåbning bør ikke forbindes til en D-ring i standardstørrelse eller til lignende genstande, der vil medføre en belastning på leddet, hvis kroge eller D-ringen vrides eller drejes, medmindre snapkroge er udrustet med en 16 kN (3.600 pund) port. Kontrollér mærkatet på din snapkrog for at bekræfte, at den er egnet til din anvendelse.
- C. På en forkert måde, hvor dele, som stikker ud fra snapkroge eller karabinhager, griber fat i forankringen, og uden visuel bekræftelse synes at være korrekt fastgjort til forankringspunktet.
- D. Til hinanden.
- E. Direkte til selen, taljerebet eller forankringslinen (medmindre producentens vejledning for både taljereb og konnektor specifikt tillader en sådan tilslutning).
- F. Til en genstand med en form eller størrelse, som gør, at snapkroge eller karabinhager ikke vil lukke og låse, eller som kan få linen til at rulle sig ud.
- G. På en måde, som forhindrer konnektoren i at flygte korrekt under belastning.

### 3.0 MONTERING

Se produktets monteringsvejledning for at få yderligere oplysninger om Lad-Saf-systemet monteringsprocedurer. Se IFU 5908282 eller IFU 5903435 for at få flere oplysninger.

**3.1 PLANLÆGNING:** Planlæg din brug af Lad-Saf-stigesikringssystemet, inden du starter arbejdet. Tag højde for alle faktorer, der kan påvirke din sikkerhed inden, under og efter et fald. Overvej alle krav, begrænsninger og specifikationer, der er angivet i afsnit 2 og tabel 1.

- Sørg for, at systemet er vurderet til det krævede antal brugere.
- Der er farer forbundet med til- og frakobling af systemet. Brug sekundær faldsikringsbeskyttelse. Sørg for, at passende forankringspunkter, platforme eller andre midler er tilgængelige ved tilkoblings- og frakoblingspunkter for at sikre sikker passage til og fra systemet.
- Der kræves en minimumsfaldafstand på 2,0 m (7,0 fod) mellem brugerens fødder og overfladen derunder. Brugeren er muligvis ikke beskyttet mod at ramme jorden eller at lande under de første 2,0 meters opstigning (7,0 fod) eller de sidste 2,0 meters nedstigning (7,0 fod). Anvend passende klatre teknikker (sørg f.eks. for tre kontaktpunkter med hænder og fødder), når du kravler op eller ned ad dele af stigen, som ikke er beskyttet af Lad-Saf™-systemet.
- Anvend passende sikkerhedsteknikker ved klatring. Bær ikke værktøj eller udstyr i hænderne. Hold hænderne fri til klatring. Fastgør alle genstande, du måtte bære, for at undgå at tabe dem på klatrere nedenunder. Klatr efter egne evner. Længere klatringer kan give behov for adskillige stop under op- eller nedstigning for at undgå udmattelse. Anvend passende udstyr til arbejdspositionering for pauser. **Klatr** ikke i kraftig blæst eller kritiske vejrforhold.
- Sørg for, at kun en bruger klatrer mellem kabelskinnerne.

**3.2 TILSLUTNING AF KABELMUFFEN TIL BÆREKABLET:** Den lodrette Lad-Saf X3-kabelsikkerhedsmuffe skal tilsluttes et 3M Lad-Saf-stigesikringssystem ved anvendelse. Få flere oplysninger i figur 7. Sådan tilsluttes Lad-Saf X3-kabelmuffen til Lad-Saf-systemets bærekabel:

1. **Placér muffen, så pilen, der markerer "op" på muffen (I), peger i opadgående retning.**
2. **Drej låsehåndtaget (E) til den ulåste position.** Figur 3 viser låsehåndtagets positioner låst (A) og ulåst (B). Låsehåndtaget sidder på begge sider af den aftagelige kabelmuffe til betjening med både højre og venstre hånd.
3. **Træk den roterende sideplade (B) tilbage til den fjerneste position.** Så snart den roterende sideplade er drejet ud i sin fjerneste position, kan låsehåndtaget (E) frigives. Låsebøjlen (H) forlænges helt.
4. **Drej håndtaget (C) til helt lodret position.** Således vil låsebøjlen falde væk, så muffen kan monteres på kablet.
5. **Hold muffen lodret og indsæt kablet (J) gennem åbningen på muffens side med en løftende bevægelse opad.** Anbring kablet i muffefordybningen. Slip håndtaget (C), den roterende sideplade (B) og låsehåndtaget (E) for at låse muffen på kablet. **Sørg for, at låsehåndtaget (E) er i låst position inden brug.**

**3.3 TILSLUTNING AF KABELMUFFEN TIL SELEN:** Kabelmuffen kan tilsluttes til helkropsselen før eller efter, at kabelmuffen er blevet monteret på Lad-Saf-systemet. Et sekundært faldsikringssystem anbefales ved tilslutning til eller frakobling af Lad-Saf-systemet. Håndtering af muffen under op- eller nedstigning udsætter brugeren for faldrisiko. Lad-Saf-systemet skal altid have en maksimal vinkel på 15° fra lodret under brug.

Brug ikke andre tilslutningsenheder, og kombiner ikke enheder (f.eks. taljereb) med den konnektor, der følger med kabelmuffen. Anvend altid den konnektor til karabinhagen, som leveres med kabelmuffen. Undlad at udskifte den med andre forbindelsesklemmer

- **OPSTIGNING:** Under opstigning ad konstruktionen klatres hele tiden med tre kontaktpunkter (med hænder og fødder). Den aftagelige Lad-Saf X3-kabelmuffe følger efter klatreren. Bærekablet snapper ud af kabelskinnerne, efterhånden som de stødes på. **Undlad at håndtere eller fjerne muffen fra bærekablet, mens kabelskinnerne passerer, eller hvis muffen låser sig fast.**
- **NEDSTIGNING:** Under nedstigning ad konstruktionen klatres forsigtigt nedad hele tiden med tre kontaktpunkter (med hænder og fødder). Lad den aftagelige Lad-Saf X3-kabelmuffe "føre" klatreren ned. Hvis der klatres nedad ude af stilling (f.eks. ved overdreven tilbagelæning eller ustabil klatring), kan muffen fastlåses på bærekablet. Hvis muffen fastlåses, klatres en anelse opad for at lade muffen gøre sig fri, og der fortsættes med at klatre ned ad konstruktionen igen. Fastgør bærekablet til kabellerne igen efter at have passeret hver kabelløber. **Undlad at håndtere eller fjerne muffen fra bærekablet, mens kabelskinnerne passerer, eller hvis muffen låser sig fast.**
- **FRAKOBLING:** Når klatringen er fuldført, skal du frakoble kabelmuffen fra systemet. Se figur 2 for komponentreferencer.
  1. Fjern muffen fra kablet ved at dreje låsehåndtaget (E).
  2. Træk bagud på sidepladen (B) og drej håndtaget (C) til helt lodret position.
  3. Muffen kan nu fjernes fra kablet og opbevares på korrekt vis.

### 4.0 BRUG

**4.1 FØR HVER IBRUGTAGNING:** Verificér, at dit arbejdsområde og dit personlige faldstandsningssystem (PFAS) overholder alle kriterier i afsnit 2, og at der forefindes en formaliseret nødplan. Inspicer Lad-Saf-systemet i henhold til "Bruger"-inspektionspunkterne, der er defineret i "Inspektions- og vedligeholdelsesloggen" (tabel 2). Brug ikke systemet, hvis inspektionen afslører en usikker eller mangelfuld tilstand. Tag systemet ud af drift med det samme, og markér det tydeligt med "MÅ IKKE BRUGES". Den lodrette Lad-Saf-kabelsikkerhedsmuffe og -systemet skal derefter destrueres eller sendes til 3M med henblik på udskiftning.

**4.2 SYSTEMFORBINDELSER:** Lad-Saf-systemet skal anvendes sammen med en helkropssæle. Helkropssælen skal være godkendt i henhold til ANSI 2359.11, CSA Z259.10, EN 361 eller anden gældende national, regional eller lokal standard. For korrekt montering af din helkropssæle henvises til producentens anvisninger. Tilslut Lad-Saf-systemets karabinhage til den frontale D-ring (A) på helkropssælen for at tilslutte systemet til din helkropssæle. Brug sammen med andre konnektorer eller en anden D-ring på din helkropssæle er forbudt.

OSHA 1910.29 og OSHA 1926.1053 angiver, at forbindelseslængden mellem bæreren og fastgørelsespunktet ikke må overskride 23 cm (9 tommer).

## 5.0 INSPEKTION

- 5.1 INSPEKTIONSHYPPIGHED:** Lad-Saf-systemet skal efterses i de intervaller, der er anført i afsnit 1. Inspektionsprocedurer er beskrevet i "*Inspektions- og vedligeholdelsesloggen*" (tabel 2). Inspicér alle andre komponenter i faldsikringssystemet med den hyppighed og efter de procedurer, som er beskrevet i producentens vejledning.
- 5.2 DEFEKTER:** Hvis inspektionen afslører, at produktet ikke er sikkert at anvende eller er defekt, eller hvis der opstår tvivl om systemets tilstand, skal du tage Lad-Saf-systemet ud af drift med det samme og tydeligt markere det med "MÅ IKKE BRUGES". Den lodrette Lad-Saf-kabelsikkerhedsmuffe og -systemet skal derefter destrueres eller sendes til 3M med henblik på udskiftning. Prøv ikke på at reparere systemet.
- 5.3 PRODUKTETS LEVETID:** Den driftsmæssige levetid for Lad-Saf-systemet afhænger af arbejdsforholdene og vedligeholdelsen. Så længe produktet godkendes ved inspektionen, må det fortsat bruges.

## 6.0 VEDLIGEHOLDELSE, SERVICE, OPBEVARING

- 6.1 RENGØRING AF SYSTEMET:** Se afsnit 5.0 for inspektionsrelaterede vedligeholdelsesproblemer. Hvis bærekablet bliver meget beskidt med olie, fedt, maling eller andre stoffer, skal det rengøres med varmt sæbevand. Tør kablet af med en ren, tør klud. Undlad hurtigt tørring med varme. Brug aldrig syreholdige eller ætsende kemikalier som kunne beskadige kablet.

Yderligere vedligeholdelses- og serviceprocedurer skal foretages af et autoriseret servicecenter. Autorisation skal gives skriftligt.

- 6.2 RENGØRING AF KABELMUFFEN:** En tilsmudset lodret Lad-Saf X3-kabelsikkerhedsmuffe kan rengøres på følgende måde:
1. Bland fire dele varmt vand med én del mildt rengøringsmiddel (f.eks. Simple Green eller lignende opløsning).
  2. Sænk kabelmuffen ned i opløsningen, og lad hele kabelmuffen ligge i blandingen i 2-3 timer.
  3. Fjern kabelmuffen fra opløsningen, og skyl den med varmt vand i mindst 1 minut. Sørg for at fjerne eventuel overskydende ophobning af smuds.
  4. Lad kablet lufttørre i 24 timer før brug. Brug af kølig trykluft er tilladt.
  5. Få flere oplysninger i figur 2. Påfør en lille mængde smørefedt på omdrejningspunkterne (E) eller i bunden af sidepladen (B).
  6. Gennemfør en inspektion før brug som angivet i afsnit 5.3. Sørg for, at der ikke er aflejret snavs indvendigt, hvilket kan påvirke kabelmuffens ydeevne.
- 6.3 OPBEVARING OG TRANSPORT:** Opbevar den lodrette Lad-Saf X3-kabelsikkerhedsmuffe og -systemet på et køligt, tørt og rent sted væk fra direkte sollys. Undgå områder med kemikaliedampe. Efterse muffen grundigt efter længerevarende opbevaring.
- Lad-Saf-kabelmuffen bør transporteres i et indelukke for at beskytte det imod rifter, fugt eller ultraviolet lys. Undgå korrosive, overopvarmede eller nedkølede omgivelser.
- 6.4 SERVICE:** Kun 3M eller parter med skriftlig bemyndigelse fra 3M må foretage reparationer på dette udstyr. Hvis den lodrette Lad-Saf-kabelsikkerhedsmuffe og -system har været udsat for faldkraft, eller systemet under inspektion findes usikkert eller defekt, skal systemet tages ud af drift med det samme og tydeligt mærkes "MÅ IKKE BRUGES". Den lodrette Lad-Saf-kabelsikkerhedsmuffe og -systemet skal derefter destrueres eller sendes til 3M med henblik på udskiftning.

## 7.0 RFID-MÆRKAT

- 7.1 PLACERING:** 3M-produktet, der beskrives i denne brugervejledning, er forsynet med en RFID-mærkat (Radio Frequency Identification). RFID-mærkater kan scannes af en RFID-mærkatscanner med henblik på registrering af produktinspektionsresultater. På figur 8 kan du se, hvor RFID-mærkaten er placeret.
- 7.2 BORTSKAFFELSE:** Før dette produkt bortskaffes, skal RFID-mærkaten fjernes og bortskaffes/genanvendes i overensstemmelse med lokale bestemmelser. Se webstedslinket nedenfor for yderligere oplysninger om, hvordan RFID-mærkaten fjernes.



Bortskaf ikke dit produkt som usorteret kommunalt affald. Symbolet med den overkrydsede skraldespand angiver, at alt EEE (elektrisk og elektronisk udstyr) skal bortskaffes i overensstemmelse med lokal lovgivning via tilgængelige retur- og indsamlingssystemer. Kontakt din forhandler eller din lokale 3M-repræsentant for yderligere oplysninger.

Du kan få flere oplysninger på vores websted: <http://www.3M.com/FallProtection/RFID>



## 8.0 MÆRKATER og MÆRKER

**8.1 MÆRKATER:** Figur 9 viser mærkatens placeringer på Lad-Saf-stigesikringssystemet. Figur 10 illustrerer hver mærkat i detaljer. Mærkater, for hvilke der ikke er angivet placering på systemet, skal placeres tæt på Lad-Saf-systemet. Hver mærkat viser følgende oplysninger:

<b>A</b>	A) Kabelmuffens modelnummer B) Serienummer C) Advarsel – følg alle anvisninger for brug. D) Læs alle brugervejledninger. E) Maks. én bruger. F) Gældende standard G) Oplysninger om bemyndiget organ H) Krav til brugerens vægt
<b>B</b>	A) Kabelmuffens pile skal vende op under brug.
<b>C</b>	A) Maksimal afstand tilladt mellem systemkabel og sele fastgørelsespunkt er 23 cm (9,0"). B) Anvend ikke kabelmuffen sammen med et taljereb. Foretag ikke ændringer af nogen art på systemet.
<b>D</b>	ID/partinummer (ÅÅMMUUTT): ÅÅ = sidste to cifre af fremstillingsåret. MM = fremstillingsmåned. UU = ugen på året for fremstillingen. TT = kun til internt brug hos 3M.
<b>E</b>	1) Monteringsdato 2) Montering udført af 3) Krav til forankringspunkter 4) Maksimalt antal brugere pr. system 5) Systemets længde 6) Fremstillingsdato 7) Inspektionsdato 8) Serienummer 9) Systemadvarsel 10) Tabel over kompatibilitet mellem kabeltype og muffe samt standardcertificering. 11) RFID-mærkat (se afsnit 7.0)

**Tabel 2 – Inspektions- og vedligeholdelseslog**

Inspektionsdato:		Inspiceret af:	
Komponent:	Inspektion: (Se Afsnit 2 for inspektionshyppighed)	Bruger	Kvalificeret person
Kabelmuffe (Figur 2)	Inspicer håndtaget (C) for bøjninger, revner og deformiteter. Alle fastgøringsanordninger skal være sikkert fastgjort. Betjening af håndtag og bøjler skal være fri og glat. Fjedre skal være fastgjort og af tilstrækkelig styrke til at trække håndtaget ned. Håndtaget fungerer også som en energiabsorberende komponent og faldindikator. Håndtaget deformeres, hvis det er blevet brugt til faldsikring. Figur 11.3 viser et eksempel på et håndtag, der ikke er blevet brugt til faldsikring (A), og et håndtag, der er blevet brugt til faldsikring og er deformt (B). Hvis håndtaget deformeres med mere end A = 12,7 mm (1/2"), må det ikke anvendes. Muffen skal tages ud af drift.	<input type="checkbox"/>	<input type="checkbox"/>
	Efterse låsehåndtaget (E) for gnidningsfri funktion og sørg for, at det springer tilbage i låst stilling, når det slippes.	<input type="checkbox"/>	<input type="checkbox"/>
	Efterse låsebøjlen (H) for slitage. Kontrollér, at bøjlen ikke er beskadiget.	<input type="checkbox"/>	<input type="checkbox"/>
	Efterse låsebøjlen (H) ved at holde muffen lodret med håndtaget (C) i oprejst position og ryste muffen op og ned for at simulere et fald. Bøjlen bør frit kunne dreje.	<input type="checkbox"/>	<input type="checkbox"/>
	Efterse låsebøjlen (H) ved at placere muffen vandret med håndtaget (C) i oprejst position og placere muffen bag på en plan overflade med mærkatet "Lad-Saf X3" opad. Bøjlen bør kunne dreje helt opad til toppen af muffen.	<input type="checkbox"/>	<input type="checkbox"/>
	Efterse sidepladens (B) funktion ved trække den tilbage og prøve at åbne kablets åbning. Den må ikke rotere. Hvis den roterer, uden at det er nødvendigt at dreje låsehåndtaget (E), tages muffen ud af drift.	<input type="checkbox"/>	<input type="checkbox"/>
	Efterse hele enheden for tegn på rust.	<input type="checkbox"/>	<input type="checkbox"/>
Topbeslag (Figur 11.2)	Kontrollér korrekt montering jf. monteringsvejledningen for Lad-Saf™-lodretsikringsystemer for fleksible kabler, 3M Fall Protection vejledning 5908282 eller 5903435.	<input type="checkbox"/>	<input type="checkbox"/>
	Kontrollér for synlige skader eller korrosion. Kig efter revner, knæk eller slid, der kan påvirke systemets styrke og drift. Efterse svejsninger. Kig efter revnede eller ødelagte svejsninger, der kan påvirke beslagets styrke. Erstat dele, hvis der findes defekter.	<input type="checkbox"/>	<input type="checkbox"/>
	Kig efter løse eller manglende fastgøringsanordninger, som sikrer topbeslaget til konstruktionen (bolte, klemmeplader, U-bolte). Hvis fastgøringsanordningerne er løse, strammes de igen efter behov så tæt som anvist i monteringsvejledningen, der leveres med dit Lad-Saf sikringsystem for fleksible kabler.	<input type="checkbox"/>	<input type="checkbox"/>
	Efterse den øverste plade for deformiteter. Afstand skal være minimum 5 mm (0,20 tommer) ved A.	<input type="checkbox"/>	<input type="checkbox"/>
	Sørg for, at både den store stift (B) og den lille stift er på plads. Sørg for, at fjederleddet (C) er på plads.	<input type="checkbox"/>	<input type="checkbox"/>
	Kontrollér det enkelte forankringspunkt (D) for revner eller tegn på skade. Kontrollér spændingen af fastgørelseselementet. Sørg for at pakningen har synlige mærker.	<input type="checkbox"/>	<input type="checkbox"/>
Bundbeslag (Figur 11.1)	Kontrollér korrekt montering jf. monteringsvejledningen for Lad-Saf™-lodretsikringsystemer for fleksible kabler, 3M Fall Protection vejledning 5908282 eller 5903435.	<input type="checkbox"/>	<input type="checkbox"/>
	Kontrollér for skader eller korrosion. Kig efter revner, knæk eller slid, der kan påvirke systemets styrke og drift. Erstat dele, hvis der findes defekter.	<input type="checkbox"/>	<input type="checkbox"/>
	Se efter løse eller manglende fastgøringsanordninger, som sikrer bundbeslaget til konstruktionen. Hvis fastgøringsanordningerne er løse, strammes de igen efter behov så tæt som anvist i monteringsvejledningen, der leveres med dit Lad-Saf-stigesikringsystem for fleksible kabler.	<input type="checkbox"/>	<input type="checkbox"/>
	Efterse samlingen af trækstangen. Sørg for, at sadelklammerne holder kablet sikkert. Kontrollér, at sadelklammerne er spændt med 35 ft-lb (47 Nm). Erstat eller stram igen, hvis der findes defekter.	<input type="checkbox"/>	<input type="checkbox"/>



**Table 2 – Inspektions- og vedligeholdelseslog**

Inspektionsdato:		Inspiceret af:	
Komponent:	Inspektion: <i>(Se Afsnit 2 for inspektionshyppighed)</i>	Bruger	Kvalificeret person
Kabelskinner (Figur 1)	Kontrollér kabelskinner for skader. Se efter slid eller skade på det sorte urethan. Kabelskinnerne skal holde kablet fast og forhindre, at kablet får kontakt til stigen/strukturen. Kabelskinnerne skal placeres ved ca. 20-40 fod (6-12 m) langs med bærekablet eller tættere på, hvis det er nødvendigt. Erstat dele, hvis der findes defekter.	<input type="checkbox"/>	<input type="checkbox"/>
	Kontrollér fastgøringsanordningerne til kabelskinnerne. Fastgøringsanordningerne bør sikre kabelskinnerne i deres position. Spænd efter behov.	<input type="checkbox"/>	<input type="checkbox"/>
Kabel (Figur 1)	Efterse kablet for korrosion, knæk eller skader, der påvirker styrken og forhindrer kabelmuffen i at bevæge sig langs kablet. Hvis stigen kabel har ridser eller knæk, skal kablet efterses af en kvalificeret person før anvendelse. Efterse for tegn på slid mod stigen eller konstruktionen. Erstat kablet, hvis der findes defekter.	<input type="checkbox"/>	<input type="checkbox"/>
	Kontrollér den korrekte spænding. Rillen skal eksponeres over den nederste skabelon (se henvisning "E", figur 11.1). Du skal ikke kunne trække trækstangen ned med håndkraft. Kablet skal være stramt nok til at forhindre kontakt med stigen/konstruktionen. Spænd kablet igen om nødvendigt. Stram ikke systemet for hårdt.	<input type="checkbox"/>	<input type="checkbox"/>
Mærkater (figur 9)	Sørg for, at alle mærkater sidder, hvor de skal, og er letlæselige.	<input type="checkbox"/>	<input type="checkbox"/>
PFAS og andet udstyr	Ekstra udstyr til personlige faldstandsningssystemer (PFAS) (seler, SRD etc.), som bruges med forankringssystemet, skal monteres og inspiceres i henhold til producentens anvisninger.	<input type="checkbox"/>	<input type="checkbox"/>
Konstruktion	Kontrollér, at konstruktionen, som systemet er fastgjort til, opfylder kravene for styrke i skema 1 i alle mulige læsseretninger.	<input type="checkbox"/>	<input type="checkbox"/>

<b>Serienummer/-numre:</b>	<b>Købsdato:</b>
<b>Modelnummer(-re):</b>	<b>Dato for første brug:</b>

<b>Korrigerende foranstaltning/vedligeholdelse:</b>	Godkendt af:	Næste inspektion foretages:
	Dato:	
<b>Korrigerende foranstaltning/vedligeholdelse:</b>	Godkendt af:	Næste inspektion foretages:
	Dato:	
<b>Korrigerende foranstaltning/vedligeholdelse:</b>	Godkendt af:	Næste inspektion foretages:
	Dato:	
<b>Korrigerende foranstaltning/vedligeholdelse:</b>	Godkendt af:	Næste inspektion foretages:
	Dato:	
<b>Korrigerende foranstaltning/vedligeholdelse:</b>	Godkendt af:	Næste inspektion foretages:
	Dato:	
<b>Korrigerende foranstaltning/vedligeholdelse:</b>	Godkendt af:	Næste inspektion foretages:
	Dato:	
<b>Korrigerende foranstaltning/vedligeholdelse:</b>	Godkendt af:	Næste inspektion foretages:
	Dato:	
<b>Korrigerende foranstaltning/vedligeholdelse:</b>	Godkendt af:	Næste inspektion foretages:
	Dato:	
<b>Korrigerende foranstaltning/vedligeholdelse:</b>	Godkendt af:	Næste inspektion foretages:
	Dato:	
<b>Korrigerende foranstaltning/vedligeholdelse:</b>	Godkendt af:	Næste inspektion foretages:
	Dato:	
<b>Korrigerende foranstaltning/vedligeholdelse:</b>	Godkendt af:	Næste inspektion foretages:
	Dato:	

**Vor der Verwendung dieses Vertikalsystems müssen die Sicherheitsinformationen in diesen Anweisungen gelesen, verstanden und befolgt werden. NICHTBEACHTUNG KANN ERNSTE VERLETZUNGEN ODER DEN TOD ZUR FOLGE HABEN.**

**Diese Anweisungen müssen dem Benutzer dieser Ausrüstung zur Verfügung gestellt werden. Bewahren Sie diese Anweisungen für den späteren Gebrauch auf.**

## Verwendungszweck:

Dieses Vertikalsystem ist für den Gebrauch als Teil eines kompletten persönlichen Absturzschutzsystems vorgesehen.

Die Verwendung in anderen Anwendungen, u. a. bei Materialtransport, Freizeitaktivitäten, Sportaktivitäten oder anderen, nicht in den Produktanweisungen beschriebenen Aktivitäten, wird nicht durch 3M genehmigt und kann zu schweren Verletzungen oder zum Tod führen.

Diese Vorrichtung darf nur von Personen verwendet werden, die in der Verwendung der Vorrichtung am Arbeitsplatz geschult sind.

## **WARNUNG**

Dieses Flexible Steigschutzsystem/Feste Schienensystem ist Teil eines persönlichen Absturzschutzsystems. Es wird erwartet, dass alle Benutzer vollständig in dem sicheren Zusammenbau und der Bedienung ihres persönlichen Absturzschutzsystems geschult werden.

**Der unsachgemäße Gebrauch dieser Vorrichtung kann ernste Verletzungen oder den Tod zur Folge haben.** Informationen zur richtigen Auswahl, Bedienung, Installation, Wartung und Instandhaltung sind den Produktanweisungen und den Herstellerempfehlungen zu entnehmen oder wenden Sie sich an einen Vorgesetzten oder an den technischen Service von 3M.

- **Maßnahmen zur Reduzierung der Risiken (die, wenn sie nicht vermieden werden, zu schweren Verletzungen oder zum Tod führen können) im Zusammenhang mit einem flexiblen Steigschutzsystem/ festen Schienensystem:**
  - Überprüfen Sie alle Komponenten des Systems vor jeder Verwendung, mindestens aber jährlich und nach jedem Absturz. Überprüfen Sie gemäß den Produktanweisungen.
  - Falls bei der Überprüfung eine Gefahr oder ein Mängelzustand bezüglich einer Komponente des Systems festgestellt wird, nehmen Sie die Komponente außer Betrieb und zerstören Sie sie.
  - Jedes Flexible Steigschutzsystem/Feste Schienensystem, das Absturzschutz- oder Aufprallkräften ausgesetzt war, muss umgehend außer Betrieb genommen werden und alle Komponenten müssen vor erneuter Verwendung von einem Sachkundigen kontrolliert werden.
  - Stellen Sie keinen Anschluss an das System her, während es gerade installiert wird.
  - Vergewissern Sie sich, dass das System für die Zahl der Benutzer, die dieses System gleichzeitig verwenden, entsprechend ausgelegt ist.
  - Beim Auspacken des Kabels kann sich dieses schnell abwickeln. Beim Auspacken des Kabels sind angemessene Sicherheitsmaßnahmen und entsprechende persönliche Schutzausrüstungen zu verwenden.
  - Nur zugelassene Verbindungselemente zum Anbringen des Auffanggurts an das System verwenden. Keine zusätzlichen Verbindungsmittel verwenden.
  - Nur das in den Produktanweisungen angegebene und zugelassene Kabel verwenden.
  - Nicht die Arretierfunktion des Läufers/der Verbindungsvorrichtung beeinträchtigen. Betätigen Sie die Vorrichtung nur, um sie an das System anzubringen und vom System zu entfernen.
  - Behalten Sie während des Aufstiegs immer drei Kontaktpunkte bei. Weitere Informationen über die richtige Klettertechnik erhalten Sie in den Produktanweisungen.
  - Stellen Sie sicher, dass Absturzschutzsysteme/Teilsysteme, die aus Komponenten von verschiedenen Herstellern zusammengebaut werden, zueinanderpassen und den Anforderungen von geltenden Normen, einschließlich ANSI Z359 oder anderen gültigen Absturzschutzrichtlinien, Standards oder Anforderungen entsprechen. Ziehen Sie stets einen Sachkundigen und/oder eine qualifizierte Person zurate, bevor Sie diese Systeme verwenden.
- **Maßnahmen zur Reduzierung der Risiken (die, wenn sie nicht vermieden werden, zu schweren Verletzungen oder zum Tod führen können) im Zusammenhang mit Arbeiten in der Höhe:**
  - Stellen Sie sicher, dass Ihre gesundheitliche und körperliche Verfassung allen Kräften im Zusammenhang mit Arbeiten in der Höhe sicher standhalten kann. Konsultieren Sie Ihren Arzt, wenn Sie Fragen bezüglich Ihrer Fähigkeit haben, diese Ausrüstung zu verwenden.
  - Niemals die zulässige Belastbarkeit für Ihre Absturzschutzsysteme überschreiten.
  - Niemals die maximale Strecke des Absturzes Ihrer Absturzschutzsysteme überschreiten.
  - Verwenden Sie keine Absturzschutzsysteme, die die Prüfung vor dem Einsatz oder andere geplante Prüfungen nicht bestanden haben, oder wenn Sie Bedenken über die Verwendung oder Tauglichkeit dieser Ausrüstung für Ihren Anwendungsbereich haben. Wenden Sie sich bei allen Fragen an den technischen Kundendienst von 3M.
  - Manche Kombinationen mit Teilsystemen und Komponenten können die Funktionsweise dieser Ausrüstung beeinträchtigen. Verwenden Sie nur kompatible Verbindungselemente. Konsultieren Sie 3M, bevor Sie diese Ausrüstung in Kombination mit anderen Komponenten oder Untersystemen verwenden als denen, die in dieser Gebrauchsanleitung beschrieben sind.
  - Bei der Arbeit in der Nähe von beweglichen Maschinen (z. B. Kraftdrehknopf von Ölplattformen), elektrischen Gefahrenherden, extremen Temperaturen, chemischen Gefahren, explosiven oder toxischen Gasen, scharfen Kanten oder unterhalb von über dem Kopf befindlichen Materialien, die auf Sie oder Ihre Absturzschutzsysteme fallen könnten, besonders vorsichtig vorgehen.
  - Verwenden Sie bei Arbeiten in Umgebungen mit hohen Temperaturen Vorrichtungen für Schweißlichtbogen oder Heißarbeiten.
  - Vermeiden Sie Oberflächen und Gegenstände, die dem Benutzer oder der Ausrüstung schaden könnten.
  - Stellen Sie bei Arbeiten in der Höhe einen angemessenen Fallraum sicher.
  - Niemals versuchen, die Absturzschutzsysteme zu modifizieren. Nur 3M oder Dritte, die hierzu schriftlich von 3M autorisiert sind, dürfen Reparaturen an der Ausrüstung vornehmen.
  - Vergewissern Sie sich vor dem Einsatz der Absturzschutzsysteme, dass ein Rettungsplan vorliegt, mit dessen Hilfe eine unverzügliche Rettung bei einem Absturz ermöglicht wird.
  - Wenn es zu einem Absturz kommt, muss für den abgestürzten Arbeiter sofort ein Arzt hinzugezogen werden.
  - Verwenden Sie für Absturzschutzsysteme keinen Haltegurt. Verwenden Sie nur einen Ganzkörper-Auffanggurt.
  - Minimieren Sie Pendelstürze, indem Sie so nahe wie möglich am Verankerungspunkt arbeiten.
  - Beim Training mit dieser Vorrichtung muss ein zweites Absturzschutzsystem in der Weise angewendet werden, dass der Trainingsteilnehmer keiner unbeabsichtigten Absturzgefahr ausgesetzt wird.
  - Tragen Sie beim Zusammenbau, der Verwendung oder Prüfung der Vorrichtung stets eine entsprechende persönliche Schutzausrüstung.

Übertragen Sie die Angaben zur Produktidentifikation vor der Installation und Verwendung dieser Ausrüstung vom ID-Etikett in das Inspektions- und Wartungsprotokoll (Tabelle 2) am Ende dieses Handbuchs.

Stellen Sie immer sicher, dass Sie die neueste Version Ihrer 3M-Bedienungsanleitung verwenden. Aktualisierte Bedienungsanleitungen erhalten Sie auf der 3M-Website oder über den technischen Kundendienst von 3M.

### PRODUKTBESCHREIBUNG:

Abbildung 1 veranschaulicht das 3M™ DBI-SALA® Lad-Saf™ Steigschutzsystem zur Leitersicherung. Das Lad-Saf Steigschutzsystem zur Leitersicherung dient dem Schutz von Arbeitern im Falle eines Absturzes beim Erklimmen fester Leitern oder ähnlicher Kletterstrukturen. Das Lad-Saf-System besteht aus der oberen Halterung, einem Drahtseil, der Kabelmuffe, der Kabelführung, dem System-Tag und der unteren Halterung. Die obere Halterung (A) wird am oberen Ende der Leiter befestigt und verankert das Kabel (B) in Abstimmung mit der unteren Halterung (F), die am unteren Ende der Leiter befestigt ist. Die Kabelmuffe (C) bewegt sich mit dem Benutzer am Kabel auf und ab und wird am vorderen D-Ring des Benutzergurts befestigt. Die Kabelführung (D) sorgt dafür, dass das Kabel an seinem Platz bleibt. Der System-Tag (E) zeigt wichtige Sicherheitsinformationen an und sollte an einer Stelle am oder in der Nähe des Systems angebracht werden. Das System-Tag ist als Label „E“ in Abbildung 10 sichtbar.

In Abbildung 2 sind die Komponenten der Lad-Saf X3 Cable Sleeve dargestellt. Die Kabelmuffe besteht aus der oberen Rolle, der drehbaren Seitenplatte, dem Handgriff, dem Hülsenkörper, dem Verriegelungshebel, der unteren Rolle, dem Karabiner und dem Verriegelungsnocken. Die obere Rolle (A) sichert die Kabelmuffe am Kabel in Abstimmung mit der unteren Rolle (F). Die drehbare Seitenplatte (B) und der Griff (C) öffnen sich, um die Kabelmuffe auf das Kabel zu setzen. Der Muffenkörper (D) bildet die Hautstruktur der Kabelmuffe. Der Verriegelungshebel (E) verriegelt die Kabelmuffe und verhindert ein unbeabsichtigtes Öffnen des Gerätes. Der Verriegelungsnocken (H) hält die Kabelmuffe im verriegelten Zustand fest. Der Karabiner (G) wird am vorderen D-Ring des Gurtes des Benutzers befestigt.

Siehe Tabelle 1 für Komponentenspezifikationen der vertikalen Lad-Saf X3 Kabelschutzmuffe und des Systems.

**Tabelle 1 – Spezifikationen**

Systemspezifikationen:					
<b>Installation des Systems:</b>	<b>Installationsanweisungen</b>		<b>Systemtyp</b>	<b>Systembeschreibung</b>	
	5908282		Vertikal	Lad-Saf Flexibles Steigschutz-Sicherungssystem	
	5903435		Vertikal	Lad-Saf Flexibles Steigschutz-Sicherungssystem mit schwenkbarer Auffangöse	
<b>Lad-Saf Kabelmuffe:</b>	<b>Artikelnummer</b>	<b>Aktivierungskraft</b>	<b>Max. Einsatzlänge</b>	<b>Minimale Bruchfestigkeit</b>	<b>Gewicht</b>
	6160054	450 lbf (2,0 kN)	102 mm (4,0 Zoll)	3.600 lbf (16 kN)	2,1 lb. (1,0 kg)
<b>Traglast:</b>	Jeder Benutzer muss ein Gesamtgewicht (Kleidung, Werkzeuge usw.) von 40 kg bis 140 kg (88 lb. bis 310 lb.) haben. Das Lad-Saf-System kann bis zu vier gleichzeitige Benutzer haben, aber an jeder Lad-Saf X3 Vertikalseilsicherung darf nur ein Benutzer angeschlossen sein. Für zusätzliche Benutzer müssen zusätzliche Kabelmuffen verwendet werden.				
<b>Anforderungen an die Verankerung:</b>	<b>Anwenderanzahl</b>		<b>Stärke der Verankerung</b>		
	1		2.700 lbf (12 kN)		3
	2		3.320 lbf (14,8 kN)		4
					3.940 lbf (17,5 kN)
					4.560 lbf (20,3 kN)
<b>Betriebstemperatur:</b>	-40 °C bis 60 °C (-40 bis 140 °F)				
<b>Normen:</b>	Die vertikale Lad-Saf X3 Kabelschutzmuffe und das System wurden gemäß den auf der Vorderseite dieser Gebrauchsanweisung angegebenen Normen getestet.				
<b>Kabelspezifikationen:</b>	Die Lad-Saf X3 Kabelmuffe darf nur mit einem Vollkernkabel mit einem Durchmesser von 3/8 Zoll (9,5 mm) verwendet werden. Die Verwendung mit einem anderen Kabel ist verboten und kann zu schweren Verletzungen oder zum Tod führen.				
	<b>Artikelnummer</b>	<b>Beschreibung</b>	<b>Material</b>	<b>Minimale Bruchfestigkeit</b>	<b>Gewicht</b>
	6104XXX / CE 6134XXX	3/8 Zoll. (9,5 mm), 1 x 7	Verzinkter Stahl	15.400 lbf (68,4 kN)	0,27 lb / ft. (0,41 kg/m)
	6105XXX / CE 6135XXX	3/8 Zoll. (9,5 mm), 1 x 7	Edelstahl	18.000 lbf (80 kN)	0,27 lb / ft. (0,41 kg/m)
	6106XXX / CE 6136XXX	3/8 Zoll. (9,5 mm), 7 x 19	Verzinkter Stahl	14.400 lbf (64 kN)	0,27 lb / ft. (0,41 kg/m)
	6107XXX / CE 6137XXX	3/8 Zoll. (9,5 mm), 7 x 19	Edelstahl	12.000 lbf (53,3 kN)	0,27 lb / ft. (0,41 kg/m)

**Tabelle 1 – Spezifikationen**

**Komponentenspezifikationen:**

**Lad-Saf Leitersicherheitssystem:**

<b>Abbildung 1 Referenzen</b>	<b>Komponente</b>	<b>Werkstoffe</b>
Ⓐ	Obere Halterung	Plattierter Stahl oder Edelstahl
Ⓑ	Kabel	Plattierter Stahl oder Edelstahl
Ⓒ	Kabelmuffe	Edelstahl
Ⓓ	Kabelführung	Urethan
Ⓔ	System-Tag	Edelstahl
Ⓕ	Untere Halterung	Plattierter Stahl oder Edelstahl

**Lad-Saf Kabelmuffe:**

<b>Abbildung 2 Referenzen</b>	<b>Komponente</b>	<b>Werkstoffe</b>
Ⓐ	Obere Rolle	Nylon
Ⓑ	Rotierende Seitenplatte	Edelstahl
Ⓒ	Griff	Edelstahl
Ⓓ	Steigschutzläufergehäuse	Edelstahl
Ⓔ	Sicherungshebel	Edelstahl
Ⓕ	Untere Rolle	Nylon
Ⓖ	Karabiner	Verzinkter Stahl
Ⓗ	Verriegelungsnocke	Edelstahl

## 1.0 PRODUKTANWENDUNG

- 1.1 ZWECK:** Dieses Lad-Saf™ Steigschutzsystem zur Leitersicherung ist Teil eines persönlichen Absturzsicherungssystems. In Kombination mit der abnehmbaren Lad-Saf™ Kabelmuffe verwendet, dient das Lad-Saf™ Steigschutzsystem zur Leitersicherung dem Schutz von Arbeitern im Fall eines Sturzes beim Ersteigen fester Leitern oder ähnlicher Kletterstrukturen.

**Nur Absturzsicherung:** Verwenden Sie das Lad-Saf Steigschutzsystem zur Leitersicherung nicht für andere Zwecke als die Absturzsicherung.

- 1.2 NORMEN:** Das Steigschutzsystem zur Leitersicherung entspricht den nationalen oder regionalen Normen, die auf der Vorderseite dieses Handbuchs angegeben sind. Wenn dieses Produkt außerhalb des ursprünglichen Bestimmungslandes wiederverkauft wird, muss der Wiederverkäufer diese Anweisungen in der Sprache des Landes zur Verfügung stellen, in dem das Produkt verwendet werden wird.
- 1.3 ÜBERWACHUNG:** Verwendung des Lad-Saf Steigschutzsystems zur Leitersicherung muss von einem Sachkundigen beaufsichtigt werden<sup>1</sup>. Die Installation des Lad-Saf Steigschutzsystems zur Leitersicherung muss durch eine qualifizierte Person überwacht werden<sup>2</sup>.
- 1.4 TRAINING:** Das Lad-Saf Steigschutzsystem zur Leitersicherung muss von Personen, die in der richtigen Anwendung geschult sind, installiert und verwendet werden. Dieses Handbuch ist im Rahmen eines Trainingsprogramms für Mitarbeiter zu verwenden, wie es von nationalen, regionalen oder lokalen Normen gefordert wird. Es unterliegt der Verantwortung der Installateure dieser Ausrüstung, sicherzustellen, dass sie mit diesen Anweisungen vertraut sind und bezüglich korrekter Pflege und Einsatzweise geschult wurden. Zudem müssen sie die Betriebsmerkmale, Anwendungseinschränkungen und die Folgen eines nicht ordnungsgemäßen Gebrauchs dieser Ausrüstung kennen.
- 1.5 RETTUNGSPLAN:** Beim Verwenden dieser Ausrüstung und dem Anschließen der Teilsysteme muss der Arbeitgeber über einen Rettungsplan und die Mittel zu dessen Durchführung verfügen. Außerdem muss er den Plan Benutzern, zuständigen Fachkräften und Rettungskräften übermitteln<sup>3</sup>, und Retter<sup>4</sup> Ein ausgebildetes internes Rettungsteam wird empfohlen. Die Teammitglieder sind mit den nötigen Geräten und Techniken für eine erfolgreiche Rettung auszustatten. Ein regelmäßiges Training ist erforderlich, damit die Befähigung des Rettungsteams stets gewährleistet ist.
- 1.6 INSPEKTIONSHÄUFIGKEIT:** Das Steigschutzsystem zur Leitersicherung muss vom Anwender vor jeder Benutzung und zusätzlich mindestens jährlich von einem Sachkundigen, der nicht der Anwender ist, inspiziert werden<sup>5</sup>. Die Inspektionsverfahren werden im „Inspektions- und Wartungsprotokoll“ beschrieben. Tragen Sie die Ergebnisse jeder Überprüfung durch eine sachverständige Person in das „Inspektions- und Wartungsprotokoll“ ein.
- 1.7 NACH EINEM ABSTURZ:** Wenn das Lad-Saf-System den Kräften eines abgefangenen Absturzes ausgesetzt war, muss es sofort aus dem Betrieb genommen und mit „NICHT VERWENDEN“ gekennzeichnet werden. Die Lad-Saf Kabelschutzmuffe und das System müssen dann zerstört oder zum Austausch an 3M weitergeleitet werden.

## 2.0 SYSTEMANFORDERUNGEN

- 2.1 VERANKERUNG:** Die Anforderungen an die Verankerung variieren mit der Absturzsicherung. Strukturen, an denen das Steigschutzsystem zur Leitersicherung angebracht oder befestigt ist, müssen die Verankerungsspezifikationen, die in Tabelle 1 definiert sind, erfüllen.
- 2.2 GEFAHREN:** Die Verwendung dieser Ausrüstung in Bereichen mit Umweltgefahren kann zusätzliche Sicherheitsmaßnahmen erfordern, um die Verletzungsgefahr und Schäden an der Ausrüstung zu vermeiden. Zu diesen Gefahren zählen u. a.: Hitze, Chemikalien, korrosive Umgebungen, Hochspannungsleitungen, explosive oder giftige Gase, bewegliche Maschinen, scharfe Kanten oder überhängiges Material, das herunterfallen und den Anwender oder das Absturzsicherungssystem treffen kann.
- 2.3 STEIGHILFE KOMPATIBILITÄT:** Verwenden Sie keine fremdkraftbetätigte Steighilfe (PCA) mit einem 3M Steigleiter-Auffangsystem (CLFAS), einschließlich des vertikalen Lad-Saf Rettungsleinsensystems und der abnehmbaren Kabelmuffen Lad-Saf X2, X3 oder X3+, es sei denn, die PCA wurde von 3M als kompatibel mit dem CLFAS von 3M geprüft. Die Nichtbeachtung dieser Warnung kann dazu führen, dass der Absturz eines Benutzers bei einem Absturz aus der Höhe bei Verwendung von inkompatiblen PCA- und CLFAS-Systemen nicht sicher aufgefangen wird. Wenden Sie sich bei Fragen an den technischen Service von 3M unter 3MFallProtectionTech@mmm.com.

Die Verwendung von Aufstiegshilfen, die nicht mit den 3M Vertikalsystemen kompatibel sind, kann zu schweren Verletzungen oder zum Tod führen.

- 2.4 KOMPATIBILITÄT DER EINZELNEN KOMPONENTEN:** Die Ausrüstung von 3M ist nur zur Verwendung mit den von 3M freigegebenen Komponenten und Subsystemen ausgelegt. Ein Austausch gegen nicht genehmigte Bauteile oder Teilsysteme kann die Kompatibilität der Ausrüstung und die Sicherheit und Zuverlässigkeit des gesamten Systems gefährden.
- 2.5 STECKERKOMPATIBILITÄT:** Verbindungselemente sind mit anderen Verbindungselementen kompatibel, wenn sie in Größe und Form so konzipiert sind, dass sie zusammenarbeiten, ohne dass sich ihre Verschlussmechanismen versehentlich öffnen, unabhängig davon, wie sie ausgerichtet sind. Kontaktieren Sie 3M, wenn Sie Fragen zur Kompatibilität haben.
- Verbindungselemente (Haken, Karabinerhaken und Auffangösen) müssen einer Belastung von mindestens 22,2 kN (5.000 lbf) standhalten können. Verbindungselemente müssen mit der Verankerung oder anderen Systemkomponenten kompatibel sein. Verwenden Sie keine Ausrüstung, die nicht kompatibel ist. Nicht kompatible Anschlüsse können sich versehentlich lösen (siehe Abbildung 4). Verbindungselemente müssen in Größe, Form und Belastbarkeit kompatibel sein. Wenn das Verbindungselement, an das der Schnapphaken oder Karabiner angeschlossen wird, zu klein ist oder eine unregelmäßige Form aufweist, kann es dazu kommen, dass das Verbindungselement Druck auf den Verschluss des Schnapphakens oder Karabiners (A) ausübt. Diese Kraft kann dazu führen, dass sich der Verschluss öffnet (B), sodass sich der Schnapphaken oder Karabiner vom Verbindungspunkt (C) löst.
- Nach ANSI Z359 (US-amerikanisches Normungsinstitut, American National Standards Institute) und der Bundesbehörde der Vereinigten Staaten für Arbeitssicherheit (Occupational Safety and Health Administration, OSHA) sind selbstschließende Karabiner erforderlich.

- 1 Sachkundiger:** Eine Person, die in der Lage ist, bestehende und vorhersehbare Risiken in der Umgebung oder bei Arbeitsbedingungen zu erkennen, die für Mitarbeiter gesundheitsgefährdend, gefährlich oder risikoreich sind, und die befugt ist, sofort korrigierende Maßnahmen zu ergreifen, um diese Risiken und Gefährdungen zu beseitigen.
- 2 Qualifizierte Person:** Personen, die über anerkannte Abschlüsse, Zertifikate oder berufliche Positionen verfügen oder aufgrund von umfassenden Kenntnissen, Schulungen und Erfahrungen nachgewiesen haben, dass Sie in der Lage sind, Probleme im Zusammenhang mit Absturzsicherungs- und Rettungssystemen in dem von der OSHA oder anderen anwendbaren Bundes-, Landes- und örtlichen Vorschriften geforderten Umfang zu lösen.
- 3 Autorisierte Person:** Eine Person, die vom Arbeitgeber dazu bestimmt ist, Aufgaben an einem Ort auszuführen, an dem sie einer Absturzgefahr ausgesetzt ist.
- 4 Retter:** Person oder Personen außer der verunfallten Person, die mithilfe eines technischen Rettungssystems eine Rettung vornehmen.
- 5 Inspektionshäufigkeit:** Extreme Arbeitsbedingungen (raue Umweltbedingungen, andauernde Verwendung usw.) können eine häufigere Inspektion durch einen Sachkundigen erforderlich machen.

**2.6 ANSCHLAGEN:** Verwenden Sie mit dieser Ausrüstung nur Schnapphaken und Karabiner. Stellen Sie sicher, dass alle Verbindungen bezüglich Größe, Form und Stärke kompatibel sind. Verwenden Sie keine Ausrüstung, die nicht kompatibel ist. Vergewissern Sie sich, dass alle Verbindungselemente vollständig geschlossen und verriegelt sind.

Verbindungselemente von 3M (Schnapphaken und Karabiner) dürfen nur wie in der Bedienungsanleitung des jeweiligen Produktes angegeben verwendet werden. Abbildung 5 zeigt Beispiele für falsche Verbindungen. Schnapphaken und Karabiner dürfen nicht wie folgt befestigt werden:

- A. An einer Auffangöse, an der ein anderes Verbindungselement befestigt ist.
- B. Auf eine Weise, die den Verschluss belastet. Karabinerhaken mit großer Maulöffnung sollten an Auffangösen oder ähnliche Objekte in Standardgröße nicht angeschlossen werden, da der Verschluss sonst belastet wird, wenn der Haken oder die Auffangöse sich dreht. Ausnahme: Der Karabinerhaken verfügt über einen Verschluss, der einer Belastung von 16 kN (3.600 lbs) standhält. Überprüfen Sie die Markierung auf Ihrem Schnapphaken, um sicherzustellen, dass er die Voraussetzungen für die Anwendung erfüllt.
- C. An einem falschen Rasthaken, wenn Teile des Schnapphakens oder Karabiners hervorstehen, die sich in der Verankerung verfangen können, und ohne dass visuell geprüft werden kann, ob der Verbinder voll in der Verankerung eingerastet ist.
- D. Aneinander.
- E. Direkt an einem Gurtband, Verbindungsmittel oder Tie Back Verbindungsmittel (außer es ist laut Anweisungen des Herstellers ausdrücklich erlaubt, die Verbindungselemente auf diese Weise anzuschließen).
- F. An einem Objekt, das eine Größe und Form aufweist, die verhindern, dass der Karabinerhaken oder Karabiner verschlossen und verriegelt werden kann, oder dazu führen, dass sich der Haken löst.
- G. Auf eine Weise, in der das Verbindungselement sich unter Last nicht richtig ausrichten kann.



### 3.0 MONTAGE

Weitere Informationen über die Installation des Lad-Saf-Systems finden Sie in den Installationsanweisungen des Produkts. Siehe IFU 5908282 oder IFU 5903435 für weitere Informationen.

**3.1 PLANUNG:** Planen Sie vor Arbeitsbeginn den Einsatz des Lad-Saf-Leiter-Sicherheitsystems. Berücksichtigen Sie alle Faktoren, die Ihre Sicherheit vor, während und nach einem Absturz beeinträchtigen könnten. Beachten Sie alle in Abschnitt 2 und Tabelle 1 beschriebenen Anforderungen, Einschränkungen und Spezifikationen.

- Vergewissern Sie sich, dass das System für die erforderliche Anzahl der Benutzer zulässig ist.
- Es gibt Gefahren, die mit dem Anschluss an das System sowie mit dem Loslösen in Zusammenhang stehen. Nutzen Sie den Schutz eines zweiten Absturzschutzsystems. Sorgen Sie dafür, dass eine angemessene Anzahl Verankerungspunkte, Landeplattformen oder sonstige Maßnahmen an den Anschluss- und Lösepunkten zur Verfügung stehen, um sichere Ein- und Ausstiege zu gewährleisten.
- Zwischen den Beinen der Benutzer und der darunterliegenden Oberfläche muss ein minimaler Fallraum von 2 m gewährleistet sein. Es kann sein, dass Benutzer innerhalb der ersten 2 m des Auf- oder Abstiegs nicht ausreichend vor einem Aufprall oder einer Landung geschützt sind. Verwenden Sie entsprechende Kletterverfahren (z. B. drei Kontaktpunkte mit Händen und Füßen halten), wenn Sie an einem beliebigen Abschnitt der Leiter auf- oder absteigen und nicht durch das Lad-Saf™ System geschützt sind.
- Setzen Sie beim Klettern angemessene Sicherheitsmaßnahmen ein. Tragen Sie keine Werkzeuge oder Ausrüstung in der Hand. Lassen Sie Ihre Hände beim Klettern frei. Sichern Sie zu tragende Gegenstände, damit sie nicht auf andere Kletterer fallen. Klettern Sie nur, wenn sie körperlich dazu imstande sind. Ein langer Auf- oder Abstieg kann mehrere Pausen erfordern, um Erschöpfung zu vermeiden. Verwenden Sie angemessene Arbeitspositioniersysteme bei Pausen. Klettern Sie nicht bei starkem Wind oder extremen Witterungsbedingungen.
- Stellen Sie sicher, dass nur ein Benutzer zwischen den Kabelführungen klettert.

**3.2 ANSCHLUSS DER KABELMUFFE AN DAS TRÄGERKABEL:** Die Lad-Saf X3 Vertikale Seilschutzmuffe muss an ein 3M Lad-Saf Steigschutzsystem zur Leitersicherung angeschlossen werden, um verwendet zu werden. Siehe Abbildung 7 als Referenz. Zum Anschluss der Lad-Saf X3 Kabelmuffe an das Trägerkabel des Lad-Saf-Systems:

1. **Positionieren Sie die Muffe so, dass der „Oben“-Pfeil auf der Muffe (I) in aufsteigende Richtung zeigt.**
2. **Drehen Sie den Sicherungshebel (E) in die geöffnete Stellung.** Abbildung 3 zeigt die geschlossene (A) und geöffnete (B) Stellung des Sicherungshebels. Der Sicherungshebel befindet sich sowohl für rechts- als auch für linksseitige Bedienung an beiden Seiten der abnehmbaren Kabelmuffe.
3. **Ziehen Sie die rotierende Seitenplatte (B) zurück in ihre am weitesten entfernte Stellung.** Sobald sich die rotierende Seitenplatte in ihrer am weitesten entfernten Stellung befindet, kann der Sicherungshebel (E) losgelassen werden. Die Klemme (H) wird bis zur vollen Länge herausgezogen.
4. **Drehen Sie den Griff (C) bis in seine vollkommen aufrechte Stellung.** Hierdurch kann die Verriegelungsklemme ohne Hindernisse herunterfallen, um die Muffe am Kabel anzuschließen.
5. **Halten Sie die Muffe aufrecht und führen Sie das Kabel (J) durch den Schlitz auf der Seite der Muffe mit einer Hebebewegung nach oben.** Positionieren Sie das Kabel in den Einschnitt der Muffe. Lösen Sie den Griff (C), die rotierende Seitenplatte (B) und den Sicherungshebel (E), um die Muffe am Kabel zu schließen. **Stellen Sie sicher, dass sich der Sicherungshebel (E) vor dem Einsatz in geschlossener Stellung befindet.**

**3.3 ANSCHLUSS DER KABELMUFFE AN DEN KABELBAUM:** Die Verbindung zwischen der Muffe und dem Komplettgurt kann vor oder nach der Montage der Muffe am Lad-Saf-System erfolgen. Ein sekundäres Fallschutzsystem wird empfohlen, wenn man sich mit dem Lad-Saf-System verbindet oder von ihm trennt. Einstellungen an der Muffe während des Auf- und Abstiegs führen dazu, dass der Benutzer Absturzgefahren ausgesetzt ist. Das Lad-Saf-System darf während der Benutzung jederzeit einen maximalen Winkel von 15 ° zur Senkrechten aufweisen.

Verwenden Sie keine anderen Verbindungsgeräte oder kombinieren Sie Geräte (z. B. Lanyard) mit dem mit der Kabelmuffe mitgelieferten Stecker. Verwenden Sie immer den Karabiner, der im Lieferumfang der Kabelmuffe enthalten ist. Ersetzen Sie ihn nicht durch andere Anschlüsse.

- **AUFSTIEG:** Halten Sie beim Aufstieg auf der Struktur stets drei Kontaktpunkte (mit Händen und Füßen). Die Lad-Saf X3 Abnehmbare Kabelmuffe folgt dem Kletterer. Das Trägerkabel schnappt aus den Kabelführungen, sobald sie aneinandergeraten. **Muffe nicht einstellen oder vom Trägerkabel entfernen, wenn Sie die Kabelführungen passiert haben oder wenn sich die Muffe sperrt.**
- **ABSTIEG:** Klettern Sie beim Abstieg auf der Struktur ruhig hinunter und halten Sie dabei stets drei Kontaktpunkte (mit Händen und Füßen). Mit der Lad-Saf X3 Abnehmbaren Kabelmuffe kann der Kletterer nach unten „geführt werden“. Ein unsachgemäßer Abstieg (z. B. übermäßiges Zurücklehnen oder sprunghaftes Klettern) kann dazu führen, dass die Muffe am Trägerkabel einrastet. Falls sich die Muffe sperrt, steigen Sie ein Stück nach oben, damit sich die Muffe öffnet, und steigen Sie dann weiter ab. Verbinden Sie das Trägerkabel mit den Kabelführungen, nachdem Sie die jeweilige Kabelführung passiert haben. **Muffe nicht einstellen oder vom Trägerkabel entfernen, wenn Sie die Kabelführungen passiert haben oder wenn sich die Muffe sperrt.**
- **TRENNEN SIE DIE VERBINDUNG:** Wenn der Aufstieg beendet ist, trennen Sie die Kabelmuffe vom System. In Abbildung 2 finden Sie Referenzinformationen zu den Komponenten.
  1. Entfernen Sie die Muffe vom Kabel, indem Sie den Sicherungshebel (E) drehen.
  2. Ziehen Sie die Seitenplatte (B) nach hinten zurück und drehen Sie den Griff (C) bis in seine vollkommen aufrechte Stellung.
  3. Nun kann die Muffe vom Kabel abgenommen und ordnungsgemäß aufbewahrt werden.

### 4.0 VERWENDUNG

**4.1 VOR JEDEM EINSATZ:** Stellen Sie sicher, dass Ihr Arbeitsbereich und Ihre persönliche Schutzausrüstung gegen Absturz (PSAgA) alle in Abschnitt 2 angegebenen Kriterien erfüllen und dass ein formaler Rettungsplan vorhanden ist. Prüfen Sie das Lad-Saf-System anhand der „Benutzer“-Inspektionpunkte, die im „Inspektions- und Wartungsprotokoll“ (Tabelle 2) angegeben sind. Wenn bei der Inspektion unsichere oder defekte Zustände festgestellt werden, verwenden Sie das System nicht. Nehmen Sie das System sofort außer Betrieb und markieren Sie deutlich „NICHT VERWENDEN“. Die vertikale Lad-Saf Kabelschutzmuffe und das System müssen dann zerstört oder zum Austausch an 3M weitergeleitet werden.

- 4.2 SYSTEMVERBINDUNGEN:** Das Lad-Saf-System muss mit einem Ganzkörpergurt verwendet werden. Der Ganzkörpergurt entspricht ANSI 2359.11, CSA Z259.10, EN 361 oder anderen anwendbaren nationalen, regionalen oder lokalen Normen. Für die korrekte Montage Ihres Ganzkörpergurtes beachten Sie bitte die Anweisungen des Herstellers. Zum Verbinden mit Ihrem Ganzkörpergurt verbinden Sie den Karabiner des Lad-Saf-Systems mit dem vorderen D-Ring (A) Ihres Ganzkörpergurtes. Die Verwendung mit einem anderen Stecker oder D-Ring an Ihrem Ganzkörpergurt ist verboten.

OSHA 1910.29 und OSHA 1926.1053 bestimmen, dass die Länge der Verbindung zwischen Träger und Befestigungspunkt 23 cm (9 Zoll) nicht übersteigen darf.

## 5.0 INSPEKTION

- 5.1 INSPEKTIONSHÄUFIGKEIT:** Das System muss in den in Abschnitt 1 festgelegten Abständen überprüft werden. Die Inspektionsaktivitäten werden im „Inspektions- und Wartungsprotokoll“ (Tabelle 2) beschrieben. Inspizieren Sie alle anderen Bauteile des Absturzsicherungssystems in den Zeitabständen und nach den Verfahren, die in den Herstelleranleitungen definiert sind.
- 5.2 SCHÄDEN:** Wenn bei der Inspektion ein unsicherer oder fehlerhafter Zustand festgestellt wird, oder wenn Zweifel an der Einsatzsicherheit bestehen, nehmen Sie das Lad-Saf-System sofort außer Betrieb und kennzeichnen Sie es deutlich mit „NICHT VERWENDEN“. Die vertikale Lad-Saf Kabelschutzmuffe und das System müssen dann zerstört oder zum Austausch an 3M weitergeleitet werden. Versuchen Sie nicht, das System zu reparieren.
- 5.3 PRODUKTLEBENSDAUER:** Die Haltbarkeit des Lad-Saf-Systems wird von den Arbeitsbedingungen und der Wartung bestimmt. Solange das Produkt die Inspektionskriterien erfüllt, kann es in Betrieb bleiben.

## 6.0 WARTUNG, INSTANDSETZUNG, LAGERUNG

- 6.1 SYSTEMREINIGUNG:** In Abschnitt 5.0 dieser Anleitung werden Wartungsfragen angesprochen. Sollte das Trägerkabel stark mit Öl, Fett, Farbe oder anderen Substanzen verschmutzt sein, reinigen Sie es mit warmem Seifenwasser. Wischen Sie das Kabel mit einem sauberen, trockenen Tuch ab. Trocknen Sie das Gerät nicht durch Erwärmen. Verwenden Sie keine Säuren oder ätzenden Chemikalien, die das Kabel beschädigen könnten.

Zusätzliche Wartungs- und Reparaturarbeiten müssen durch einen autorisierten Kundendienst erfolgen. Die Autorisierung muss schriftlich vorliegen.

- 6.2 REINIGUNG DER KABELMUFFE:** Eine verschmutzte vertikale Lad-Saf X3 Kabelsicherheitsmuffe kann wie folgt gereinigt werden:
1. Mischen Sie vier Teile warmes Wasser mit einem Teil milder Reinigungslösung (z. B. Simple Green oder ähnliche Lösung).
  2. Tauchen Sie die Kabelmuffe in die Lösung und weichen Sie die gesamte Kabelmuffe für 2-3 Stunden in der Mischung ein.
  3. Entfernen Sie die Kabelmuffe aus der Lösung und spülen Sie sie mindestens 1 Minute lang mit warmem Wasser aus. Achten Sie darauf, überschüssige Schmutzablagerungen zu entfernen.
  4. Lassen Sie das Kabel vor der Verwendung 24 Stunden an der Luft trocknen. Die Verwendung von kühler, forcierter Luft ist akzeptabel.
  5. Siehe Abbildung 2 als Referenz. Tragen Sie an den Drehpunkten (E) oder am Boden der Seitenplatte (B) eine kleine Menge Schmiermittel auf.
  6. Führen Sie eine Inspektion vor der Verwendung gemäß Abschnitt 5.3 durch. Vergewissern Sie sich, dass sich im Innern des Geräts keine Ablagerungen befinden, die den Betrieb der Kabelmuffe beeinträchtigen könnten.
- 6.3 LAGERUNG UND TRANSPORT:** Lagern Sie die Lad-Saf X3 Abnehmbare Kabelmuffe an einem kühlen, trockenen, sauberen und vor direkter Sonneneinstrahlung geschützten Ort. Vermeiden Sie eine Lagerung in der Nähe von chemischen Dämpfen. Überprüfen Sie den Steigschutzläufer nach langer Lagerung gründlich.
- Transportieren Sie die Lad-Saf Kabelmuffe in einem Behältnis, um es vor Schnitten, Feuchtigkeit oder ultraviolettem Licht zu schützen. Vermeiden Sie korrosive, überheizte oder unterkühlte Atmosphären.
- 6.4 SERVICE:** Nur 3M oder Dritte, die hierzu von 3M schriftlich autorisiert sind, dürfen Reparaturen an diesem Equipment vornehmen. Wenn die vertikale Lad-Saf Kabelschutzmuffe und das System einer Absturzkraft ausgesetzt waren oder bei der Inspektion ein unsicherer oder defekter Zustand festgestellt wird, nehmen Sie das System sofort außer Betrieb und markieren Sie deutlich „NICHT BENUTZEN“. Die vertikale Lad-Saf Kabelschutzmuffe und das System müssen dann zerstört oder zum Austausch an 3M weitergeleitet werden.

## 7.0 RFID-TAG

- 7.1 PLATZIERUNG:** Das in dieser Bedienungsanleitung beschriebene 3M-Produkt ist mit einem Radio Frequency Identification (RFID)-Tag ausgestattet. RFID-Tags können in Abstimmung mit einem RFID-Tag-Scanner zur Erfassung der Ergebnisse der Produktprüfung verwendet werden. In Abbildung 8 sehen Sie, wo sich Ihr RFID-Tag befindet.
- 7.2 VERFÜGUNG:** Entfernen Sie vor der Entsorgung dieses Produkts das RFID-Tag und entsorgen/recyceln Sie es in Übereinstimmung mit den vor Ort geltenden Vorschriften. Weitere Informationen zum Entfernen des RFID-Tags entnehmen Sie bitte der Website.



Entsorgen Sie Ihr Produkt nicht im Hausmüll. Das Symbol der durchgestrichenen Mülltonne zeigt an, dass alle Elektro- und Elektronikgeräte gemäß den örtlichen Gesetzen durch verfügbare Rückgabe- und Sammelsysteme entsorgt werden müssen. Bitte wenden Sie sich für weitere Informationen an Ihren Händler oder Ihre lokale 3M-Vertretung.

Für weitere Informationen besuchen Sie bitte unsere Website: <http://www.3M.com/FallProtection/RFID>



## 8.0 AUFKLEBER und MARKIERUNGEN

**8.1 ETIKETTEN:** Abbildung 9 zeigt die Positionen der Etiketten auf dem Lad-Saf Steigschutzsystem zur Leitersicherung. Abbildung 10 zeigt jedes Etikett im Detail. Etiketten, die nicht in der Liste aufgeführt sind, müssen an einem Ort in der Nähe des Lad-Saf-Systems platziert werden. Folgende Angaben sind auf jedem Etikett enthalten:

<b>A</b>	A) Kabelmuffe Modellnummer B) Seriennummer C) Warnhinweis - Befolgen Sie alle Gebrauchsanweisungen. D) Lesen Sie die Benutzeranweisungen. E) Maximal ein Benutzer. F) Anwendbarer Standard G) Benannte Stelle Detail H) Anforderungen an das Benutzergewicht
<b>B</b>	A) „Aufwärts“-Orientierung der Kabelmuffe zur Verwendung.
<b>C</b>	A) Der höchste zulässige Abstand zwischen dem Systemkabel und dem Befestigungspunkt des Gurtes beträgt 23 cm. B) Verwenden Sie die Kabelmuffe nicht mit einem Lanyard. Die Vorrichtung darf auf keinerlei Weise modifiziert werden.
<b>D</b>	ID/Losnummer (JJMMWWTT): JJ = Letzte zwei Stellen des Herstellungsjahres. MM = Herstellungsmonat. WW = Woche des Herstellungsjahres. TT = Nur 3M-interne Verwendung.
<b>E</b>	1) Installationsdatum 2) Installiert durch 3) Verankerungsanforderungen 4) Maximale Anzahl von Benutzern pro System 5) Systemlänge 6) Herstellungsdatum 7) Überprüfungsdatum 8) Seriennummer 9) Systemwarnungen Kabelart- und Muffenkompatibilitätsmatrix zusammen mit Normenzertifizierungen. 11) RFID-Tag (siehe Abschnitt 7.0)

**Tabelle 2 – Inspektions- und Wartungsprotokoll**

<b>Inspektionsdatum:</b>		<b>Inspiziert von:</b>	
<b>Komponente:</b>	<b>Inspektion:</b> (Siehe Abschnitt 2 für <i>Inspektionshäufigkeit</i> )	<b>Benutzer</b>	<b>Sachkundiger</b>
Kabelmuffe (Abbildung 2)	Prüfen Sie den Griff (C) auf Knicke, Risse und Verformungen. Alle Befestigungsmittel müssen sicher verbunden sein. Die Bedienung des Griffs und der Klemme muss frei und reibungslos erfolgen. Federn müssen befestigt und von ausreichender Stärke sein, um den Griff nach unten zu ziehen. Der Handgriff dient auch als Energieabsorber und Sturzindikator. Der Handgriff wird verformt, wenn er zur Absturzsicherung verwendet wurde. Abbildung 11.3 zeigt ein Beispiel für einen Griff, der nicht zur Absturzsicherung verwendet wurde (A) und einen Griff, der zur Absturzsicherung verwendet wurde und verformt ist (B). Falls der Griff um mehr als A=12,7 mm (1/2 Zoll) verformt ist, darf dieser nicht mehr verwendet werden. Die Muffe muss außer Betrieb genommen werden.	<input type="checkbox"/>	<input type="checkbox"/>
	Überprüfen Sie den Sicherungshebel (E) auf reibungslose Bedienung, und stellen Sie sicher, dass er in seine geschlossene Stellung zurückspringt, wenn er losgelassen wird.	<input type="checkbox"/>	<input type="checkbox"/>
	Prüfen Sie die Verriegelungsklemme (H) auf Verschleiß. Bestätigen Sie, dass keine Schäden an der Klemme sind.	<input type="checkbox"/>	<input type="checkbox"/>
	Überprüfen Sie die Verriegelungsklemme (H), indem Sie die Muffe senkrecht halten, wobei sich der Griff (C) in aufrechter Position befindet, und die Muffe nach oben und unten bewegen, um einen Absturz zu simulieren. Die Klemme sollte sich frei drehen können.	<input type="checkbox"/>	<input type="checkbox"/>
	Überprüfen Sie die Verriegelungsklemme (H), indem Sie die Muffe waagrecht positionieren, wobei sich der Griff (C) in aufrechter Position befindet, und die Muffe auf einer flachen Oberfläche auf die Rückseite legen, wobei das Lad-Saf X3 Etikett nach oben zeigt. Die Klemme sollte sich vollständig nach oben zur Oberseite der Muffe drehen.	<input type="checkbox"/>	<input type="checkbox"/>
	Prüfen Sie die Funktion der rotierenden Seitenplatte (B), indem Sie diese zurückziehen, um zu versuchen, den Kabelschlitz zu öffnen. Er darf sich nicht drehen. Falls er sich nicht dreht, ohne dass der Sicherungshebel (E) gedreht werden muss, nehmen Sie die Muffe außer Betrieb.	<input type="checkbox"/>	<input type="checkbox"/>
	Überprüfen Sie das gesamte System auf Korrosionserscheinungen.	<input type="checkbox"/>	<input type="checkbox"/>
Obere Halterung (Abbildung 11.2)	Prüfen Sie die ordnungsgemäße Installation gemäß den Installationsanweisungen des Lad-Saf™ Flexiblen Steigschutz-Sicherungssystems, 3M Fall Protection Handbuch Nr. 5908282 oder 5903435.	<input type="checkbox"/>	<input type="checkbox"/>
	Prüfen Sie auf optische Schäden oder Korrosion. Suchen Sie nach Rissen, Verbiegungen oder Verschleiß, da dies die Lebensdauer und die Funktion beeinträchtigen könnte. Überprüfen Sie die Schweißnähte. Suchen Sie nach eingerissenen oder brüchigen Schweißnähten, da diese die Stabilität der Halterung beeinträchtigen könnten. Ersetzen Sie ggf. beschädigte Teile.	<input type="checkbox"/>	<input type="checkbox"/>
	Prüfen Sie auf lockere oder fehlende Befestigungen, die die obere Halterung sichern (Schrauben, Klemmplatten, U-Klammern). Falls Befestigungen locker sind, müssen diese mit den Drehmomenten wieder festgezogen werden, die in der Installationsanleitung stehen, welche mit Ihrem Lad-Saf Flexiblen Steigschutz-Sicherungssystem mitgeliefert wurde.	<input type="checkbox"/>	<input type="checkbox"/>
	Prüfen Sie die obere Platte auf eine Verformung. Der Spalt anstelle A sollte mindestens 5 mm (20 Zoll) betragen.	<input type="checkbox"/>	<input type="checkbox"/>
	Vergewissern Sie sich, dass sowohl der große Stift (B) als auch der kleine Stift an seinem Platz sind. Stellen Sie sicher, dass sich der Federverschluss (C) an der richtigen Stelle befindet.	<input type="checkbox"/>	<input type="checkbox"/>
	Prüfen Sie den Einzelpunktanker (D) auf Risse oder Zeichen von Beschädigungen. Kontrollieren Sie das Drehmoment des Befestigungsmittels. Stellen Sie sicher, dass die Unterlegscheibe sichtbare Markierungen aufweist.	<input type="checkbox"/>	<input type="checkbox"/>
Untere Halterung (Abbildung 11.1)	Prüfen Sie die ordnungsgemäße Installation gemäß den Installationsanweisungen des Lad-Saf™ Flexiblen Steigschutz-Sicherungssystems, 3M Fall Protection Handbuch Nr. 5908282 oder 5903435.	<input type="checkbox"/>	<input type="checkbox"/>
	Prüfen Sie auf Schäden oder Korrosion. Suchen Sie nach Rissen, Verbiegungen oder Verschleiß, da dies die Lebensdauer und die Funktion beeinträchtigen könnte. Ersetzen Sie ggf. beschädigte Teile.	<input type="checkbox"/>	<input type="checkbox"/>
	Prüfen Sie auf lockere oder fehlende Befestigungen, die die untere Halterung sichern. Falls Befestigungen locker sind, müssen diese mit den Drehmomenten wieder festgezogen werden, die in der Installationsanleitung stehen, welche mit Ihrem Lad-Saf Flexiblen Steigschutzsystems zur Leitersicherung mitgeliefert wurde.	<input type="checkbox"/>	<input type="checkbox"/>
	Überprüfen Sie die Montage der Zugstange. Vergewissern Sie sich, dass die Sattelklemmen das Kabel fest umschließen. Prüfen Sie die Sattelklemmen auf ein Drehmoment von 47 Nm. Bei Defekten müssen die Sattelklemmen ersetzt bzw. festgezogen werden.	<input type="checkbox"/>	<input type="checkbox"/>

**Tabelle 2 – Inspektions- und Wartungsprotokoll**

<b>Inspektionsdatum:</b>		<b>Inspiziert von:</b>	
<b>Komponente:</b>	<b>Inspektion:</b> (Siehe Abschnitt 2 für <i>Inspektionshäufigkeit</i> )	<b>Benutzer</b>	<b>Sachkundiger</b>
Seilführungen (Abbildung 1)	Überprüfen Sie die Kabelführungen auf Beschädigungen. Prüfen Sie auf Verschleiß oder Beschädigungen des schwarzen Urethans. Die Kabelführungen müssen das Kabel an Ort und Stelle halten und den Kontakt mit der Leiter/Struktur verhindern. Die Kabelführungen sollten in einer Höhe von ca. 20-40 ft positioniert werden. (6-12 m) entlang des Trägerkabels, bei Bedarf auch näher. Ersetzen Sie ggf. beschädigte Teile.	<input type="checkbox"/>	<input type="checkbox"/>
	Überprüfen Sie die Befestigungen der Kabelführungen. Die Befestigungen müssen die Kabelführungen an Ort und Stelle halten. Ziehen Sie sie bei Bedarf an.	<input type="checkbox"/>	<input type="checkbox"/>
Kabel (Abbildung 1)	Prüfen Sie das Kabel auf Korrosion, Knicke oder Beschädigungen, die das Spiel der Kabelmuffe oder die Festigkeit des Kabels beeinträchtigen können. Wenn sich Kerben oder Knickstellen im Leiterkabel befinden, muss das Kabel vor Verwendung von einem Sachkundigen überprüft werden. Prüfen Sie auf Anzeichen von Abscheuerung an der Leiter oder Struktur. Ersetzen Sie das Kabel, wenn es Beschädigungen aufweist.	<input type="checkbox"/>	<input type="checkbox"/>
	Kontrollieren Sie auf korrekte Spannung. Die Nut sollte oberhalb der Bodenschablone freigelegt werden (siehe Beschreibung „E“, Abbildung 11.1). Sie sollten nicht in der Lage sein, die Zugstange mit bloßen Händen herunterzuziehen. Die Kabel sollten genügend Spannung haben und keine Berührung mit der Leiter/Struktur zulassen. Spannen Sie das Kabel ggf. neu. Überspannen Sie das System nicht.	<input type="checkbox"/>	<input type="checkbox"/>
Etiketten (Abbildung 9)	Stellen Sie sicher, dass alle Typenschilder vorhanden und vollständig leserlich sind.	<input type="checkbox"/>	<input type="checkbox"/>
PSAgA und andere Ausrüstung	Eine zusätzliche persönliche Schutzausrüstung gegen Absturz (PSAgA) (Auffanggurt, Höhensicherungsgerät usw.), die mit dem Verankerungssystem verwendet wird, sollte nach den Anweisungen des Herstellers installiert und geprüft werden.	<input type="checkbox"/>	<input type="checkbox"/>
Bauwerk	Stellen Sie sicher, dass die Struktur, an der die Struktur befestigt ist, die Festigkeitsanforderungen aus Tabelle 1 in allen möglichen Belastungsrichtungen erfüllt.	<input type="checkbox"/>	<input type="checkbox"/>

<b>Seriennummer(n):</b>	<b>Gekauft am:</b>
<b>Modellnummer(n):</b>	<b>Datum des ersten Einsatzes:</b>

<b>Korrekturmaßnahmen/Wartung:</b>	Genehmigt von:	Nächstes Inspektionsdatum:
	Datum:	
<b>Korrekturmaßnahmen/Wartung:</b>	Genehmigt von:	Nächstes Inspektionsdatum:
	Datum:	
<b>Korrekturmaßnahmen/Wartung:</b>	Genehmigt von:	Nächstes Inspektionsdatum:
	Datum:	
<b>Korrekturmaßnahmen/Wartung:</b>	Genehmigt von:	Nächstes Inspektionsdatum:
	Datum:	
<b>Korrekturmaßnahmen/Wartung:</b>	Genehmigt von:	Nächstes Inspektionsdatum:
	Datum:	
<b>Korrekturmaßnahmen/Wartung:</b>	Genehmigt von:	Nächstes Inspektionsdatum:
	Datum:	
<b>Korrekturmaßnahmen/Wartung:</b>	Genehmigt von:	Nächstes Inspektionsdatum:
	Datum:	
<b>Korrekturmaßnahmen/Wartung:</b>	Genehmigt von:	Nächstes Inspektionsdatum:
	Datum:	
<b>Korrekturmaßnahmen/Wartung:</b>	Genehmigt von:	Nächstes Inspektionsdatum:
	Datum:	
<b>Korrekturmaßnahmen/Wartung:</b>	Genehmigt von:	Nächstes Inspektionsdatum:
	Datum:	

## INFORMACIÓN DE SEGURIDAD

Lea, comprenda y cumpla con todo lo dispuesto en la información de seguridad contenida en estas instrucciones antes de utilizar este sistema vertical. **SI NO LO HACE, PUEDE SUFRIR GRAVES LESIONES O LA MUERTE.**

Estas instrucciones deben entregarse al usuario de este equipo. Conserve las instrucciones para futuras consultas.

### Uso previsto:

Este sistema vertical está pensado para ser utilizado como parte de un sistema completo de protección contra caídas.

El empleo en cualquier otra aplicación, entre otras, la manipulación de material, actividades relacionadas de recreo o deportivas, u otras actividades no descritas en las instrucciones del producto, no está aprobado por 3M y puede provocar lesiones graves o la muerte.

Este dispositivo solo deben usarlo usuarios formados en su utilización en aplicaciones dentro del lugar de trabajo.

## ADVERTENCIA

Este sistema de cable flexible/raíl rígido forma parte de un sistema de protección contra caídas. Se espera que todos los usuarios se hayan formado completamente en la instalación y el uso seguros de su sistema de protección contra caídas. **El uso indebido de este dispositivo podría ocasionar lesiones graves o la muerte.** Para una adecuada selección, uso, instalación mantenimiento, inspección y reparación, consulte estas instrucciones del producto y todas las recomendaciones del fabricante, contacte con un supervisor o con el servicio técnico de 3M.

- **Para reducir los riesgos asociados con trabajar con un sistema de cable flexible/raíl rígido que, si no se evitan, pueden provocar lesiones graves o la muerte:**
  - Inspeccione todos los componentes del sistema antes de cada uso, al menos, con una periodicidad anual, y después de que el sistema haya soportado una caída. Realice la inspección según las instrucciones del producto.
  - Si durante la inspección observa una condición insegura o defectuosa en un componente del sistema, retire el componente del servicio y destrúyalo.
  - Cualquier sistema de cable flexible/raíl rígido que se haya visto sometido a detención de caídas o a una fuerza de impacto debe ser retirado inmediatamente del servicio, y todos los componentes deben ser inspeccionados por una persona competente antes de volver a usarlo.
  - No establezca una conexión con el sistema mientras lo instala.
  - Asegúrese de que el sistema está adecuadamente clasificado para el número de usuarios simultáneos.
  - Cuando desempaquete el cable, puede desenrollarse rápidamente. Aplique los procedimientos de seguridad adecuados y emplee el equipo de protección personal apropiado cuando desempaquete el cable.
  - Emplee solo conectores apropiados para fijar el arnés de cuerpo completo al sistema. No utilice ningún otro dispositivo de conexión adicional.
  - Use solo el cable especificado y aprobado en las instrucciones del producto.
  - No obstaculice la acción de bloqueo de la lanzadera/del manguito. Solo debe manipular el dispositivo para fijarlo y soltarlo del sistema.
  - Cuando ascienda, mantenga siempre tres puntos de contacto. Consulte las instrucciones del producto para obtener más información sobre la técnica de ascensión adecuada.
  - Asegúrese de que los sistemas/subsistemas de protección contra caídas conectados con componentes hechos por distintos fabricantes son compatibles y cumplen los requisitos de las normas aplicables, incluyendo los ANSI Z359 u otros códigos, normas o requisitos de protección contra caídas aplicables. Consulte siempre con personal cualificado/competente antes de usar estos sistemas.
- **Para reducir los peligros asociados con el trabajo en altura que, si no se evitan, pueden provocar lesiones graves o la muerte:**
  - Asegúrese de que su salud y condición física le permiten resistir con seguridad todas las fuerzas asociadas con el trabajo en altura. Consulte con su médico si tiene alguna pregunta con respecto a su capacidad para utilizar este equipo.
  - Nunca exceda la capacidad de carga de su equipo de protección contra caídas.
  - Nunca exceda la distancia máxima de caída libre de su equipo de protección contra caídas.
  - No utilice ningún equipo de protección contra caídas que haya fallado antes de usarse o no haya pasado otras inspecciones programadas, o si tiene dudas sobre el uso o la idoneidad del equipo para su aplicación. Póngase en contacto con los servicios técnicos de 3M si tiene cualquier pregunta.
  - Algunas combinaciones de subsistemas y componentes pueden perjudicar el funcionamiento del equipo. Use solo conectores compatibles. Consulte con 3M antes de emplear este equipo con componentes o subsistemas distintos de los descritos en las instrucciones para el usuario.
  - Extreme la precaución cuando se encuentre alrededor de maquinaria en movimiento (p. ej., mecanismos de activación superiores de plataformas petrolíferas), cuando existan riesgos eléctricos, temperaturas extremas, peligros químicos, gases explosivos o tóxicos, bordes afilados o materiales que se encuentren por encima de usted y que podrían caer sobre usted o sobre el equipo de protección contra caídas.
  - Use dispositivos para trabajos en caliente o arco eléctrico cuando trabaje en ambientes a altas temperaturas.
  - Evite superficies y objetos que puedan dañar al usuario o al equipo.
  - Asegúrese de que haya una distancia de caída adecuada cuando trabaje en altura.
  - Nunca modifique o altere su equipo de protección contra caídas. Sólo 3M o las partes autorizadas por escrito por 3M pueden reparar el equipo.
  - Antes de usar el equipo de protección contra caídas, asegúrese de que existe un plan de rescate que permita un rápido rescate si se produce un incidente de caída.
  - Si se produjera una caída, busque atención médica inmediatamente para el trabajador que se haya caído.
  - No utilice un cinturón corporal para las aplicaciones de detención de caídas. Use sólo un arnés de cuerpo completo.
  - Trabaje en un lugar situado lo más directamente posible por debajo del punto de anclaje para minimizar la posibilidad de caídas con balanceo.
  - Si se está formando con este dispositivo, se debe utilizar un sistema de protección contra caídas secundario de manera que no exponga al aprendiz a un riesgo de caída involuntaria.
  - Lleve siempre el equipo de protección individual apropiado cuando instale, use o inspeccione el dispositivo/sistema.



Antes de instalar y utilizar este equipo, anote los datos identificativos del producto indicados en la etiqueta de identificación en el "Registro de inspección y mantenimiento" (Tabla 2), dispuesta al final de este manual.

Asegúrese siempre de estar utilizando la última versión de su manual de instrucciones de 3M. Visite el sitio web de 3M o póngase en contacto con el Servicio Técnico de 3M para obtener los manuales de instrucciones actualizados.

### DESCRIPCIÓN DEL PRODUCTO:

La Figura 1 ilustra el Sistema de seguridad en escaleras DBI-SALA® Lad-Saf™ de 3M™. El sistema de seguridad de escalera Lad-Saf está diseñado para proteger a los trabajadores en caso de caída mientras suben a una escalera fija o una estructura similar. El sistema Lad-Saf se compone del soporte superior, un cable de alambre, el manguito del cable, la guía del cable, la etiqueta del sistema y el soporte inferior. El soporte superior (A) está asegurado en la parte superior de la escalera y ancla el cable (B) en coordinación con el soporte inferior (F), que está asegurado en la parte inferior de la escalera. El manguito del cable (C) se mueve hacia arriba y hacia abajo del cable con el usuario y se conecta al anillo en D frontal del arnés del usuario. La guía del cable (D) asegura que el cable permanezca en su lugar. La etiqueta del sistema (E) muestra información importante de seguridad y debe colocarse en un punto en o cerca del sistema. La etiqueta del sistema es visible como etiqueta "E" en la Figura 10.

La Figura 2 ilustra los componentes del manguito del cable Lad-Saf X3. El manguito del cable está compuesto por el rodillo superior, la placa lateral giratoria, el tirador, el cuerpo del manguito, la palanca de bloqueo, el rodillo inferior, el mosquetón y la leva de bloqueo. El rodillo superior (A) asegura el manguito del cable al cable en coordinación con el rodillo inferior (F). La placa lateral giratoria (B) y el tirador (C) se abren para permitir la colocación del manguito del cable en el cable. El cuerpo del manguito (D) constituye la estructura principal del manguito del cable. La palanca de bloqueo (E) bloquea el manguito del cable y evita la apertura involuntaria del dispositivo. La leva de bloqueo (H) mantiene el manguito del cable en su lugar cuando está bloqueado. El mosquetón (G) se adhiere al anillo en D frontal del arnés del usuario.

Consulte la Tabla 1 para ver las especificaciones de los componentes del manguito y sistema de seguridad de cable vertical Lad-Saf X3.

**Tabla 1 – Especificaciones**

Especificaciones del sistema:					
<b>Instalación del sistema:</b>	<b>Instrucciones de instalación</b>	<b>Tipo de sistema</b>		<b>Descripción del sistema</b>	
	5908282	Vertical		Sistema de seguridad con cable flexible Lad-Saf	
	5903435	Vertical		Sistema de seguridad con cable flexible Lad-Saf con anilla D giratoria	
<b>Manguito para cable Lad-Saf:</b>	<b>Código de referencia</b>	<b>Fuerza de activación</b>	<b>Longitud máxima de despliegue</b>	<b>Resistencia a la rotura mínima</b>	<b>Peso</b>
	6160054	2,0 kN (450 lbf)	102 mm (4,0 pulg.)	16 kN (3.600 lbf)	1,0 kg (2,1 libras)
<b>Capacidad:</b>	Cada usuario debe tener un peso combinado (ropa, herramientas, etc.) de 88 lb a 310 lb (de 40 kg a 140 kg). El sistema Lad-Saf puede tener hasta cuatro usuarios simultáneos, pero cada manguito de seguridad de cable vertical Lad-Saf X3 puede tener solo un usuario conectado. Para usuarios adicionales, se deben usar manguitos de cable adicionales.				
<b>Requisitos de anclaje:</b>	<b>Número de usuarios</b>	<b>Resistencia del anclaje</b>	<b>Número de usuarios</b>	<b>Resistencia del anclaje</b>	
	1	12 kN (2.700 lbf)	3	17,5 kN (3.940 lbf)	
	2	14,8 kN (3.320 lbf)	4	20,3 kN (4.560 lbf)	
<b>Temperatura de servicio:</b>	-40 °C a 60 °C (-40 °F a 140 °F)				
<b>Normativas:</b>	El manguito y el sistema de seguridad de cable vertical Lad-Saf X3 se han probado de acuerdo con los estándares identificados en la portada de estas instrucciones de uso.				
<b>Especificaciones del cable:</b>	El manguito de cable Lad-Saf X3 solo se puede usar con un cable de núcleo sólido de 9,5 mm (3/8 pulg.) de diámetro. El uso con cualquier otro cable está prohibido y podría provocar lesiones graves o la muerte.				
	<b>Código de referencia</b>	<b>Descripción</b>	<b>Material</b>	<b>Resistencia a la rotura mínima</b>	<b>Peso</b>
	6104XXX/ CE 6134XXX	3/8 pulg. (9,5 mm), 1 x 7	Acero galvanizado	15,400 lbf (68,4 kN)	0.27 lb. / ft. (0,41 kg / m)
	6105XXX/ CE 6135XXX	3/8 pulg. (9,5 mm), 1 x 7	Acero inoxidable	18,000 lbf (80 kN)	0.27 lb. / ft. (0,41 kg / m)
	6106XXX/ CE 6136XXX	3/8 pulg. (9,5 mm), 7 x 19	Acero galvanizado	14,400 lbf (64 kN)	0.27 lb. / ft. (0,41 kg / m)
	6107XXX/ CE 6137XXX	3/8 pulg. (9,5 mm), 7 x 19	Acero inoxidable	12,000 lbf (53,3 kN)	0.27 lb. / ft. (0,41 kg / m)



**Tabla 1 – Especificaciones**

**Especificaciones de los componentes:**

**Sistema de seguridad para escaleras Lad-Saf:**

Referencia de la figura 1	Componente	Materiales
(A)	Soporte superior	Acero galvanizado o Acero inoxidable
(B)	Cable	Acero galvanizado o Acero inoxidable
(C)	Manguito de cable	Acero inoxidable
(D)	Guía del cable	Uretano
(E)	Etiqueta del sistema	Acero inoxidable
(F)	Soporte inferior	Acero galvanizado o Acero inoxidable

**Manguito para cable Lad-Saf:**

Referencia de la figura 2	Componente	Materiales
(A)	Rodillo superior	Nailon
(B)	Placa lateral giratoria	Acero inoxidable
(C)	Tirador	Acero inoxidable
(D)	Cuerpo del manguito	Acero inoxidable
(E)	Palanca de bloqueo	Acero inoxidable
(F)	Rodillo inferior	Nailon
(G)	Mosquetón	Acero galvanizado
(H)	Leva de bloqueo	Acero inoxidable

## 1.0 APLICACIÓN DEL PRODUCTO

- 1.1 OBJETIVO:** El sistema de seguridad de escalera Lad-Saf™ es parte de un sistema personal de protección contra caídas. Cuando se utiliza en combinación con el manguito desmontable para cables Lad-Saf™, el sistema de seguridad de escalera Lad-Saf está diseñado para proteger a un trabajador en caso de caer mientras asciende por una escalera fija o una estructura de escalado similar.

**Solo para detención de caídas:** No use el sistema de seguridad de escalera Lad-Saf para ningún otro propósito que no sea el de detención de caídas.

- 1.2 NORMATIVAS:** Su sistema de seguridad de escalera cumple con las normas nacionales o regionales identificadas en la portada de estas instrucciones. Si se revende este producto fuera del país de destino original, el revendedor deberá proporcionar estas instrucciones en el idioma del país en donde se vaya a utilizar el producto.
- 1.3 SUPERVISIÓN:** Uso del sistema de seguridad de escalera Lad-Saf debe estar supervisado por una persona competente<sup>1</sup>. El uso del Sistema de seguridad de escalera Lad-Saf debe estar supervisado por una persona competente<sup>2</sup>.
- 1.4 FORMACIÓN:** La instalación y el uso del sistema de seguridad de escalera Lad-Saf deberán correr a cargo de personas que hayan recibido formación sobre su correcta aplicación. Este manual ha de utilizarse como parte de cualquier programa de formación de empleados que venga exigido conforme a normativas nacionales, regionales o locales. Es responsabilidad de los instaladores de este equipo familiarizarse con las presentes instrucciones; haber recibido formación en cuanto al cuidado y uso correctos de este; y conocer las características de funcionamiento, las limitaciones de uso y las consecuencias del uso indebido del mismo.
- 1.5 PLAN DE RESCATE:** al utilizar este equipo y los subsistemas de conexión, la empresa deberá contar con un plan de rescate y los medios necesarios para llevarlo a término e informar de dicho plan a los usuarios, las personas autorizadas y los responsables del rescate<sup>3</sup> y rescatadores<sup>4</sup>. Se recomienda tener en el centro un equipo de rescate con formación. Se deben proporcionar a los miembros del equipo las técnicas y el equipo para llevar a cabo un rescate con éxito. Se debe proporcionar de forma periódica formación a los responsables del rescate para garantizar su competencia.
- 1.6 FRECUENCIA DE LAS INSPECCIONES:** El usuario debe revisar el sistema de seguridad de escalera Lad-Saf antes de cada uso y, adicionalmente, debe revisarlo también una persona competente que no sea el usuario, en intervalos no superiores al año.<sup>5</sup> Los procedimientos de inspección se describen en el apartado "Registro de inspección y mantenimiento". Los resultados de la inspección de cada persona competente deben registrarse en copias del "Registro de Inspección y Mantenimiento".
- 1.7 DESPUÉS DE UNA CAÍDA:** Si el sistema Lad-Saf queda expuesto a las fuerzas de una caída, debe retirarse inmediatamente del servicio y marcarse claramente "NO USAR". El manguito y el sistema de seguridad de cable Lad-Saf deben destruirse o enviarse a 3M para su reemplazo.

## 2.0 REQUISITOS DEL SISTEMA

- 2.1 ANCLAJE:** Los requisitos de anclaje varían con la aplicación de protección contra caídas. La estructura sobre la que se coloca o instala el sistema de seguridad de escalera Lad-Saf debe cumplir las especificaciones de anclaje definidas en la Tabla 1.
- 2.2 PELIGROS:** el uso de este equipo en zonas con peligros en el entorno puede requerir precauciones adicionales para evitar que se produzcan lesiones personales o daños al equipo. Algunos de los peligros son, entre otros: el calor, los agentes químicos, los ambientes corrosivos, cuerdas de alta tensión, gases explosivos o tóxicos, maquinaria en movimiento y bordes afilados, o bien materiales que puedan caer y golpear al usuario o al sistema de detención de caídas.
- 2.3 COMPATIBILIDAD SISTEMA ASISTIDO DE ASCENSO:** No utilice un sistema asistido de ascenso (PCA) con un sistema de detención de caídas de escalera de 3 m (CLFAS), incluido el sistema de línea de vida vertical Lad-Saf y los manguitos de cable desmontables Lad-Saf X2, X3 o X3 +, a menos que el PCA haya sido verificado por 3M como compatible con CLFAS de 3M. El incumplimiento de esta advertencia podría provocar que la caída de un usuario no se detenga de forma segura en caso de una caída desde la altura mientras se utilizan sistemas PCA y CLFAS incompatibles. Póngase en contacto con el servicio técnico de 3M en 3MFallProtectionTech@mmm.com con cualquier pregunta.

**El uso de sistemas de asistencia de ascenso que no sean compatibles con los sistemas verticales de 3M podría provocar lesiones graves o la muerte.**

- 2.4 COMPATIBILIDAD DE LOS COMPONENTES:** El equipo 3M está diseñado para su uso solo con componentes y subsistemas aprobados por 3M. Las sustituciones o los reemplazos que se hagan con componentes o subsistemas no aprobados pueden poner en peligro la compatibilidad del equipo y afectar a la seguridad y la fiabilidad de todo el sistema.
- 2.5 COMPATIBILIDAD CONECTOR:** los conectores se consideran compatibles con los elementos de conexión cuando, sin importar cómo queden orientados, se han diseñado para funcionar en conjunto de manera que sus tamaños y formas no provoquen que sus mecanismos de apertura se abran inesperadamente. Póngase en contacto con 3M si tiene alguna duda sobre compatibilidad. Los conectores (ganchos, mosquetones y anillas en D) deben poder sostener al menos 22,2 kN (5.000 lbf). Los conectores deben ser compatibles con el anclaje y los demás componentes del sistema. No utilice equipos que no sean compatibles. Los conectores no compatibles pueden desengancharse de manera accidental (consulte la Figura 4). Los conectores deben ser compatibles en tamaño, forma y resistencia. Si el elemento conector al que se acopla un mosquetón con cierre automático o un mosquetón es más pequeño de lo normal o tiene forma irregular, puede suceder que el elemento conector ejerza una fuerza sobre el mecanismo de apertura de cualquiera de tales mosquetones (A). Esta fuerza puede hacer que el mecanismo de apertura se abra (B), permitiendo así que el mosquetón con cierre automático o el mosquetón se desenganchen del punto de conexión (C).

Los ganchos y mosquetones con autobloqueo son un requisito para ANSI Z359 y OSHA.

- 1 Persona competente:** Una persona que es capaz de identificar peligros existentes y predecibles en el entorno o condiciones de trabajo insalubres, nocivas o peligrosas para los/las empleados/as y que cuenta con autorización para tomar medidas correctivas rápidas conducentes a su supresión
- 2 Persona competente:** Una persona con un título, un certificado o una posición profesional reconocidos, o que, con amplios conocimientos, capacitación y experiencia, ha demostrado con éxito su capacidad para resolver o resolver problemas relacionados con la protección contra caídas y los sistemas de rescate en la medida requerida por OSHA u otro gobierno federal aplicable, regulaciones estatales y locales
- 3 Persona autorizada:** una persona asignada por el empleador para realizar tareas en una ubicación donde estará expuesto a riesgo de caída
- 4 Rescatador:** persona o personas, que no sean el sujeto que se pretende rescatar, que actúan para realizar un rescate asistido mediante un sistema de rescate.
- 5 Frecuencia de las inspecciones:** Unas condiciones extremas de funcionamiento (entornos exigentes, uso prolongado, etc.) pueden requerir que se incremente la frecuencia de las inspecciones que realizan las personas competentes.

**2.6 REALIZACIÓN DE CONEXIONES:** los mosquetones con cierre automático y mosquetones que haya que usar con este equipo deben ser de autobloqueo. Asegúrese de que todas las conexiones sean compatibles en tamaño, forma y resistencia. No utilice equipos que no sean compatibles. Asegúrese de que todos los conectores estén totalmente cerrados y bloqueados.

Los conectores 3M (mosquetones con cierre automático y mosquetones) están diseñados para usarse solo como se indica en las instrucciones del usuario del producto. Consulte la figura 5 para ver ejemplos de conexiones incorrectas. No conecte mosquetones con cierre automático o mosquetones:

- A. A una anilla en D que tenga otro conector acoplado.
- B. De manera que suponga una carga sobre el mecanismo de apertura. Los mosquetones con cierre automático de abertura grande no deben conectarse a anillas en D de tamaño estándar o a objetos similares, pues ello daría como resultado una carga sobre el gancho si el mosquetón o la anilla en D se torciera o girara, a menos que el mosquetón con cierre automático venga equipado con un gancho de 1633 kg (16 kN – 3.600 lb). Compruebe las marcas del mosquetón con cierre automático para verificar que es adecuado para su aplicación.
- C. En un acoplamiento en falso, las características que se proyectan desde el mosquetón con cierre automático o el mosquetón se enganchan al anclaje y, sin confirmación visual, parecen estar bien acoplados al punto de anclaje.
- D. Entre sí.
- E. Directamente con una cincha, eslinga de cuerda o de autoamarre (a menos que en las instrucciones del fabricante, tanto para la eslinga como para el conector, se permita tal conexión).
- F. A cualquier objeto con forma o dimensión tal que el mosquetón con cierre automático o mosquetón no se cierre ni se bloquee, o que pueda soltarse.
- G. De modo que el conector no quede correctamente alineado mientras está soportando carga.

### 3.0 INSTALACIÓN

Para obtener más información sobre los procedimientos de instalación del sistema Lad-Saf, consulte las Instrucciones de instalación del producto. Consulte IFU 5908282 o IFU 5903435 para obtener más información.

**3.1 PLANIFICACIÓN:** Planifique su uso del sistema de seguridad Lad-Saf Ladder antes de comenzar a trabajar. Tenga en cuenta todos los factores que podrían afectar a su seguridad antes, en el transcurso y después de una caída. Considere todos los requisitos, limitaciones y especificaciones definidos en el Apartado 2 y en la tabla 1.

- Asegúrese de que el sistema está cualificado para el número de usuarios requerido.
- Existen peligros asociados a la conexión y desconexión del sistema. Utilice una protección para detención de caídas secundaria. Asegúrese de que haya puntos de anclaje, plataformas de llegada al suelo u otros medios adecuados disponibles en los puntos de conexión y desconexión para permitir una transición segura hacia y desde el sistema.
- Se requiere una distancia de caída mínima de 7 pies (2,0 m) entre los pies del usuario y el suelo. Puede que el usuario no esté protegido frente a los golpes contra el suelo o la llegada a la superficie en los primeros 7 pies (2,0 m) de ascenso o en los últimos 7 pies (2,0 m) de descenso. Siga un procedimiento adecuado (p. ej. mantener 3 puntos de contacto con las manos y los pies) al subir o bajar por la escalera sin la protección del sistema Lad-Saf™.
- Siga un procedimiento de seguridad adecuado al ascender/descender. No lleve herramientas ni equipo en la mano. Deje las manos libres al ascender/descender. Asegúrese de que los artículos que lleve estén sujetos para evitar que caigan sobre las personas que asciendan después. Ascienda o descienda según sus capacidades. Los ascensos o descensos más prolongados pueden requerir varias paradas para evitar el agotamiento. Utilice un equipo de posicionamiento de trabajo adecuado para los descansos. **No ascienda** si hay mucho viento o el clima es adverso.
- Asegúrese de que entre las guías del cable solo asciende/desciende un usuario.

**3.2 CONEXIÓN DEL MANGUITO DEL CABLE AL CABLE DEL CARGADOR:** El manguito de seguridad de cable vertical Lad-Saf X3 debe estar conectado a un sistema de seguridad en escaleras Lad-Saf de 3M para ser utilizado. Vea la Figura 7 para referencia. Para conectar el manguito del cable Lad-Saf X3 al cable portador del sistema Lad-Saf:

1. **Coloque el manguito de modo que la flecha "arriba" del manguito (I) señale la dirección ascendente.**
2. **Gire la palanca de bloqueo (E) hasta la posición de desbloqueo.** La Figura 3 muestra la palanca de bloqueo en las posiciones de bloqueo (A) y desbloqueo (B). La palanca de bloqueo se encuentra a ambos lados del manguito desmontable para cables para poder manipularla desde la derecha o la izquierda.
3. **Tire de la placa lateral giratoria hacia atrás (B) hasta el máximo.** Una vez girada dicha placa al máximo, es posible soltar la palanca de bloqueo (E). La leva de bloqueo (H) se extenderá completamente.
4. **Gire el tirador (C) y colóquelo en posición vertical.** Esto le permitirá sacar la leva de bloqueo de la ranura para instalar el manguito en el cable.
5. **Sostenga el manguito en posición vertical e inserte el cable (J) por la ranura lateral del manguito moviéndolo hacia arriba.** Coloque el cable en la escotadura del manguito. Suelte el tirador (C), la placa lateral giratoria (B) y la palanca de bloqueo (E) para fijar el manguito al cable. **Compruebe que la palanca de bloqueo (E) esté en su posición de bloqueo antes de utilizar el sistema.**

**3.3 CONEXIÓN DEL MANGUITO DEL CABLE AL ARNÉS:** La conexión entre el manguito y el arnés de cuerpo entero puede realizarse antes o después de haber instalado el manguito en el sistema Lad-Saf. Se recomienda un sistema secundario de protección contra caídas cuando se conecta o desconecta del sistema Lad-Saf. Si el usuario maneja el manguito durante el ascenso o el descenso, corre el riesgo de caerse. El sistema Lad-Saf debe tener un ángulo máximo de 15° desde vertical en todo momento durante el uso.

No utilice otros dispositivos de conexión ni combine dispositivos (p. Ej., Cerdón) con el conector suministrado con el manguito del cable. Use siempre el mosquetón suministrado con el manguito. No lo reemplace por otros conectores.

- **ASCENSO:** Para subir por la estructura, ascienda manteniendo tres puntos de contacto en todo momento (con las manos y los pies). El Manguito desmontable para cables Lad-Saf™ X3 seguirá la velocidad de la persona que ascienda. El cable transportador se desconecta de sus guías cuando se alcanzan las mismas. **No manipule ni retire el manguito del cable transportador al sobrepasar las guías o si se bloquea el manguito.**
- **BAJADA:** Para bajar de la estructura, descienda con cuidado manteniendo tres puntos de contacto en todo momento (con las manos y los pies). Al bajar, déjese llevar por el Manguito desmontable para cables Lad-Saf X3. Si no baja en la posición adecuada (p. ej., inclinándose demasiado hacia atrás o con una postura irregular), el manguito podría bloquearse en el cable transportador. Si el manguito se bloquea, muévase ligeramente hacia arriba para liberar el manguito y siga bajando por la estructura. Vuelva a conectar el cable transportador en las guías tras sobrepasar cada una de ellas. **No manipule ni retire el manguito del cable transportador al sobrepasar las guías o si se bloquea el manguito.**
- **DESCONECTAR:** Cuando finalice la escalada, desconecte el manguito del cable del sistema. Ver Figura 2 para referencias de componentes.
  1. Retire el manguito del cable girando la palanca de bloqueo (E).
  2. Tire de la placa lateral (B) hacia atrás y gire el tirador (C) hacia arriba.
  3. el manguito podrá retirarse del cable y guardarse en un lugar adecuado.

### 4.0 USO

**4.1 ANTES DE CADA USO:** Asegúrese de que el área de trabajo así como el sistema personal de detención de caídas (PFAS) cumplan todos los criterios definidos en el Apartado 2 y que un plan de rescate oficial se encuentre ejecución. Revise el sistema Lad-Saf conforme a los puntos de inspección de "Usuario" definidos en el "Registro de inspección y mantenimiento" (Tabla 2). No utilice el sistema si la inspección revela un estado no seguro o defectuoso. Retire el sistema del servicio de inmediato y marque claramente "NO UTILIZAR". El sistema y el manguito de seguridad de cable vertical Lad-Saf deben ser destruidos o enviados a 3M para su reemplazo.

**4.2 CONEXIONES DEL SISTEMA:** El sistema Lad-Saf debe usarse con un arnés de cuerpo completo. El arnés de cuerpo completo según ANSI Z2359.11, CSA Z259.10, EN 361 u otra norma nacional, regional o local aplicable. Para un ajuste adecuado de su arnés de cuerpo completo, consulte las instrucciones del fabricante. Para conectarse a su arnés de cuerpo completo, conecte el mosquetón del sistema Lad-Saf al anillo en D frontal (A) de su arnés de cuerpo completo. Está prohibido su uso con cualquier otro conector o anillo en D en su arnés de cuerpo completo.

Las normas OSHA 1910.29 y OSHA 1926.1053 establecen que la longitud de conexión entre el cable transportador y el punto de fijación no debe superar 23 cm (9 pulg.).

## 5.0 INSPECCIÓN

**5.1 FRECUENCIA DE LAS INSPECCIONES:** El sistema Lad-Saf debe inspeccionarse con la periodicidad indicada en la el Apartado 1. Los procedimientos de inspección se describen en el "Registro de inspección y mantenimiento" (Tabla 2). Inspeccione todos los demás componentes del sistema de protección contra caídas según las frecuencias y los procedimientos definidos en las instrucciones del fabricante.

**5.2 DEFECTOS:** Si la inspección revela una condición insegura o defectuosa, o si surge alguna duda con respecto a la condición del sistema, retire el Sistema Lad-Saf del servicio de inmediato y marque claramente "NO USAR". El sistema y el manguito de seguridad de cable vertical Lad-Saf deben ser destruidos o enviados a 3M para su reemplazo. No intente reparar el sistema.

**5.3 VIDA ÚTIL DEL PRODUCTO:** La vida útil del sistema Lad-Saf depende de las condiciones de trabajo y mantenimiento. El producto podrá seguir utilizándose siempre que cumpla con los criterios de inspección.

## 6.0 MANTENIMIENTO, REPARACIONES Y ALMACENAMIENTO

**6.1 LIMPIEZA DEL SISTEMA:** Para obtener más información sobre todo lo relacionado con el mantenimiento, consulte el apartado 5.0. Si el cable transportador se mancha mucho de grasa, pintura u otras sustancias, límpielo con agua caliente y jabón. Limpie el cable con un trapo limpio y seco. No acelere el secado con calor. No utilice ácidos ni otros productos químicos cáusticos que podrían dañar el cable.

solo un centro de servicio autorizado debe llevar a cabo los procedimientos adicionales de mantenimiento y reparación. La autorización debe presentarse por escrito.

**6.2 LIMPIEZA DEL MANGUITO DEL CABLE:** Un manguito de seguridad de cable vertical Lad-Saf X3 sucio se puede limpiar mediante el siguiente procedimiento:

1. Mezcle cuatro partes de agua tibia con una parte de solución de limpieza suave (por ejemplo, Simple Green o solución similar).
2. Sumerja el manguito de cable en la solución y ponga a remojo todo el manguito de cable en la mezcla durante 2-3 horas.
3. Retire el manguito del cable de la solución y enjuague con agua tibia durante al menos 1 minuto. Asegúrese de eliminar cualquier exceso de suciedad acumulada.
4. Deje que el cable se seque al aire durante 24 horas antes de usarla. Usar aire frío y forzado es aceptable.
5. Vea la Figura 2 para referencia. Aplique una pequeña cantidad de lubricación a los puntos de pivote (E) o en la base de la placa lateral (B).
6. Complete una inspección previa al uso como se especifica en el Apartado 5.3. Confirme que no haya restos internos alojados, lo que podría afectar al funcionamiento del manguito del cable.

**6.3 ALMACENAMIENTO Y TRANSPORTE:** Guarde el manguito para cables de seguridad vertical Lad-Saf X3 en un lugar fresco, seco y limpio, sin exponerlo directamente a la luz solar. Evite guardarlo en zonas en las que haya vapores químicos. Inspeccione completamente el manguito después de un periodo largo de almacenamiento.

Transporte el manguito para cable Lad-Saf una caja para evitar cortes y que se vea afectado por la humedad o la luz ultravioleta. Evite las atmósferas corrosivas, sobrecalentadas o refrigeradas.

**6.4 SERVICIO:** Solo 3M o las organizaciones autorizadas por escrito por 3M pueden reparar este equipo. Si el manguito y el sistema de seguridad del cable vertical Lad-Saf han sido sometidos a una fuerza de caída o la inspección revela condiciones inseguras o defectuosas, retire el sistema del servicio de inmediato y marque claramente "NO UTILIZAR". El sistema y el manguito de seguridad de cable vertical Lad-Saf deben ser destruidos o enviados a 3M para su reemplazo.

## 7.0 ETIQUETA DE RFID

**7.1 UBICACIÓN:** el producto 3M al que hace se referencia en estas instrucciones para el usuario está equipado con una etiqueta de identificación por radiofrecuencia (RFID). Las etiquetas de RFID se pueden usar en coordinación con un escáner de etiquetas de RFID para registrar los resultados de la inspección del producto. Consulte la Figura 8 para ver dónde se encuentra su etiqueta de RFID.

**7.2 ELIMINACIÓN:** antes de desechar este producto, quite la etiqueta de RFID y recicle/deseche de acuerdo con la normativa local. Si necesita más información sobre cómo quitar la etiqueta de RFID, consulte la página web en el enlace a continuación.



No elimine este producto como basura municipal sin clasificar. El símbolo del contenedor con ruedas tachado indica que todos los AEE (aparatos eléctricos y electrónicos) se deben eliminar de acuerdo con las leyes locales, por medio de los sistemas de devolución y recogida disponibles. Para obtener más información póngase en contacto con su distribuidor local o su representante de 3M.

Para obtener más información, visite nuestro sitio web: <http://www.3M.com/FallProtection/RFID>



## 8.0 ETIQUETAS y MARCAS

**8.1 ETIQUETAS:** La Figura 9 ilustra las ubicaciones de las etiquetas en el sistema de seguridad Lad-Saf Ladder. La Figura 10 ilustra cada etiqueta en detalle. Las etiquetas sin una ubicación listada en el sistema deben colocarse en una ubicación cercana al sistema Lad-Saf. La información de las etiquetas es la siguiente:

<b>A</b>	A) Número de modelo del manguito del cable B) Número de serie C) Declaración de advertencia: siga todas las instrucciones de uso. D) Lea todas las instrucciones de uso. E) Un usuario como máximo. F) Norma aplicable G) Detalle del organismo notificado H) Requisitos de peso del usuario
<b>B</b>	A) Orientación "hacia arriba" del manguito del cable para su uso.
<b>C</b>	A) La distancia máxima permitida entre el cable del sistema y el punto de anclaje del arnés es de 23 cm (9,0 pulg.). B) No use el manguito del cable con un cordón. No modifique el equipo en modo alguno.
<b>D</b>	ID/Número de lote (AAMMSSTT): AA = últimos dos dígitos del año de fabricación. MM = mes de fabricación. SS = semana del año de fabricación. TT = uso interno de 3M solamente.
<b>E</b>	1) Fecha de instalación 2) Instalado por 3) Requisitos de anclaje 4) Número máximo de usuarios por sistema 5) Longitud del sistema 6) Fecha de fabricación 7) Fecha de inspección 8) Número de serie 9) Advertencias del sistema 10) Matriz de compatibilidad del tipo de cable y manguito junto con la certificación de normas. 11) Etiqueta RFID (ver Apartado 7.0)

**Tabla 2: Registro de inspección y mantenimiento**

Fecha de la inspección:		Inspeccionado por:	
Componente:	Inspección: (Consulte el apartado 2 para conocer la frecuencia de las inspecciones).	Usuario	Persona competente
Manguito de cable (Figura 2)	Inspeccione el tirador (C) en busca de dobleces, grietas y deformaciones. Todos los sujetadores deben estar correctamente fijados. El tirador y la leva deben poder funcionar con suavidad y desplazarse libremente. Los muelles deben estar fijados y ser lo suficientemente fuertes como para bajar el tirador. El tirador también actúa como un absorbedor de energía y un indicador de caída. El tirador se deformará si se ha utilizado para detener caídas. La figura 11.3 muestra un ejemplo de un tirador que no se ha utilizado para detención de caídas (A) y un tirador que se ha utilizado para detención de caídas y está deformada (B). Si el tirador está deformado más de A = 1/2 pulg. (12,7 mm) No usar. Debe detener la utilización del manguito.	<input type="checkbox"/>	<input type="checkbox"/>
	Inspeccione la palanca de bloqueo (E) para verificar que se mueva de forma suave, asegurándose de que vuelve a su posición de bloqueo cuando se suelta.	<input type="checkbox"/>	<input type="checkbox"/>
	Inspeccione la leva de bloqueo (H) por desgaste. Compruebe que la leva no está gastada.	<input type="checkbox"/>	<input type="checkbox"/>
	Para inspeccionar la leva de bloqueo (H), sostenga el manguito en posición vertical con el tirador (C) mirando hacia arriba, y deslice el manguito hacia arriba y abajo para simular una caída. La leva debe girar con libertad de movimientos.	<input type="checkbox"/>	<input type="checkbox"/>
	Para inspeccionar la leva de bloqueo (H) coloque el manguito en posición horizontal con el tirador (C) mirando hacia arriba y la parte trasera del manguito en una superficie plana con la etiqueta Lad-Saf X3 mirando hacia arriba. La leva debe girar completamente hacia arriba hasta la parte superior del manguito.	<input type="checkbox"/>	<input type="checkbox"/>
	Para comprobar el funcionamiento de la placa lateral (B), tire de ella hacia atrás para intentar abrir la ranura del cable. No debe girar. Si esto ocurre sin haber girado la palanca de bloqueo (E), detenga la utilización del manguito.	<input type="checkbox"/>	<input type="checkbox"/>
	Inspeccione toda la unidad por si hubiera señales de corrosión.	<input type="checkbox"/>	<input type="checkbox"/>
Soporte superior (Figura 11.2)	Inspeccione para una instalación adecuada según las Instrucciones de instalación de los sistemas de seguridad verticales de cable flexible Lad-Saf™, manual de 3M Fall Protection 5908282 o 5903435.	<input type="checkbox"/>	<input type="checkbox"/>
	Compruebe si existe daño visible o corrosión. Los daños incluyen grietas, curvaturas y desgaste que podrían afectar a la fortaleza y al funcionamiento del sistema. Inspeccione las soldaduras. Los daños incluyen soldaduras agrietadas o rotas que podrían afectar a la fortaleza del soporte. Sustituya las partes si están defectuosas.	<input type="checkbox"/>	<input type="checkbox"/>
	Compruebe si faltan o existen dispositivos de sujeción sueltos. Si hay dispositivos de sujeción sueltos, apriételos de nuevo adecuadamente según los niveles de torsión indicados en las Instrucciones de instalación suministradas con el Sistema de seguridad con cable flexible Lad-Saf.	<input type="checkbox"/>	<input type="checkbox"/>
	Inspeccione la placa superior por si hubiera deformaciones. El hueco debe ser de 0,20 pulgadas (5 mm) como mínimo en la ubicación A.	<input type="checkbox"/>	<input type="checkbox"/>
	Asegúrese de que tanto el pasador grande (B) como el pasador pequeño estén en su lugar. Asegúrese de que la compuerta de resorte (C) esté en su lugar.	<input type="checkbox"/>	<input type="checkbox"/>
	Inspeccione el anclaje de punto único (D) en busca de grietas o signos de daños. Inspeccione el par de torsión del dispositivo de sujeción. Asegúrese de que la arandela tenga marcas visibles.	<input type="checkbox"/>	<input type="checkbox"/>
Soporte inferior (Figura 11.1)	Inspeccione para una instalación adecuada según las Instrucciones de instalación de los sistemas de seguridad verticales de cable flexible Lad-Saf™, manual de 3M Fall Protection 5908282 o 5903435.	<input type="checkbox"/>	<input type="checkbox"/>
	Compruebe si existe daño o corrosión. Los daños incluyen grietas, curvaturas y desgaste que podrían afectar a la fortaleza y al funcionamiento del sistema. Sustituya las partes si están defectuosas.	<input type="checkbox"/>	<input type="checkbox"/>
	Compruebe si faltan o existen dispositivos de sujeción sueltos que fijan el soporte inferior a la estructura. Si hay dispositivos de sujeción sueltos, apriételos de nuevo adecuadamente según los niveles de torsión indicados en las Instrucciones de instalación suministradas con el Sistema de seguridad para escaleras con cable flexible Lad-Saf.	<input type="checkbox"/>	<input type="checkbox"/>
	Verifique el montaje de la barra de tensión. Haga que determinadas abrazaderas tipo omega retengan el cable con firmeza. Compruebe el par de torsión de las abrazaderas de fijación; par de 47 N-m (35 libras-pies). Sustituya o vuelva a apretar en caso de encontrar defectos.	<input type="checkbox"/>	<input type="checkbox"/>



**Tabla 2: Registro de inspección y mantenimiento**

<b>Fecha de la inspección:</b>		<b>Inspeccionado por:</b>	
<b>Componente:</b>	<b>Inspección:</b> (Consulte el apartado 2 para conocer la frecuencia de las inspecciones).	<b>Usuario</b>	<b>Persona competente</b>
Guías para cables (Figura 1)	Compruebe si las guías del cable están dañadas. Verifique si los materiales de uretano negro presentan daños o desgaste. Las guías para cables deben contener el cable y evitar que esté en contacto con la escalera/estructura. Las guías de cable deben colocarse a aproximadamente 20-40 pies (6-12 m) a lo largo del cable portador, o más cerca si es necesario. Sustituya las partes si están defectuosas.	<input type="checkbox"/>	<input type="checkbox"/>
	Verifique los dispositivos de sujeción de la guía del cable. Los dispositivos de sujeción deben mantener la guía del cable en su lugar. Apriete si fuera necesario.	<input type="checkbox"/>	<input type="checkbox"/>
Cable (Figura 1)	El cable no debe estar oxidado ni debe haber enredos ni ningún otro daño que pueda afectar a la fortaleza e impedir que el manguito del cable se mueva a lo largo del cable. Si el cable de la escalera está mellado o torcido, una persona competente deberá inspeccionar el cable antes de usarse. Verifique si hay signos de abrasión por contacto con la escalera o la estructura. Sustituya el cable si está defectuoso.	<input type="checkbox"/>	<input type="checkbox"/>
	Inspeccione si la tensión es la adecuada. La ranura debe quedar expuesta sobre la plantilla inferior (vea la llamada "E", Figura 11.1). No puede tirar de la barra de tensión de forma manual. El cable debe estar lo suficientemente ajustado para evitar que toque la escalera/estructura. Si fuera necesario, vuelva a tensar el cable. No tensione de forma excesiva el sistema.	<input type="checkbox"/>	<input type="checkbox"/>
Etiquetas (Figura 9)	Asegúrese de que todas las etiquetas están en su lugar y son perfectamente legibles	<input type="checkbox"/>	<input type="checkbox"/>
PFAS y otros equipos	El equipo adicional (arnés, SRD, etc.) para el sistema personal de detención de caídas (PFAS) que se utilice con el sistema de anclaje debe instalarse e inspeccionarse conforme a las instrucciones del fabricante.	<input type="checkbox"/>	<input type="checkbox"/>
Estructura	Verifique que la estructura a la que se fijará la estructura cumple los requisitos de resistencia de la Tabla 1 en todas las direcciones de carga posibles.	<input type="checkbox"/>	<input type="checkbox"/>

<b>Número(s) de serie:</b>	<b>Fecha de compra:</b>
<b>Números de modelo:</b>	<b>Fecha del primer uso:</b>

<b>Acción correctora/mantenimiento:</b>	Aprobado por:	Fecha de la próxima inspección:
	Fecha:	
<b>Acción correctora/mantenimiento:</b>	Aprobado por:	Fecha de la próxima inspección:
	Fecha:	
<b>Acción correctora/mantenimiento:</b>	Aprobado por:	Fecha de la próxima inspección:
	Fecha:	
<b>Acción correctora/mantenimiento:</b>	Aprobado por:	Fecha de la próxima inspección:
	Fecha:	
<b>Acción correctora/mantenimiento:</b>	Aprobado por:	Fecha de la próxima inspección:
	Fecha:	
<b>Acción correctora/mantenimiento:</b>	Aprobado por:	Fecha de la próxima inspección:
	Fecha:	
<b>Acción correctora/mantenimiento:</b>	Aprobado por:	Fecha de la próxima inspección:
	Fecha:	
<b>Acción correctora/mantenimiento:</b>	Aprobado por:	Fecha de la próxima inspección:
	Fecha:	
<b>Acción correctora/mantenimiento:</b>	Aprobado por:	Fecha de la próxima inspección:
	Fecha:	
<b>Acción correctora/mantenimiento:</b>	Aprobado por:	Fecha de la próxima inspección:
	Fecha:	

**Enne selle vertikaalse süsteemi kasutamist lugege käesolevas juhendis kirjeldatud kogu ohutusteavet ja mõistke seda; järgige toodud teavet. SELLE NÕUDE EIRAMINE VÕIB PÕHJUSTADA RASKEID VIGASTUSI VÕI SURMA.**

**Kasutusjuhend tuleb anda varustuse kasutajale. Jätke juhend edasiseks kasutamiseks alles.**

## Sihtotstarve

See vertikaalne süsteem on mõeldud kasutamiseks osana terviklikust personaalsest kukkumiskaitse-süsteemist.

Ettevõtte 3M ei kiida heaks kasutamist mis tahes teistes rakendustes, sealhulgas materjalikäitluses, vabaaja- või sporditegevustes või teistes toote juhendites kirjeldamata tegevustes, ning see võib põhjustada raskeid vigastusi või surma.

Seadet võivad kasutada ainult asjakohase väljaõppe läbinud kasutajad töökeskkonnas.

## HOIATUS

See paindliku trossiga / jäiga rööpaga süsteem on osa personaalsest kukkumiskaitse-süsteemist. Eeldame, et kõik kasutajad läbivad põhjaliku väljaõppe personaalse kukkumiskaitse-süsteemi ohutu paigaldamise ja kasutamise osas. **Selle vahendi väärkasutus võib põhjustada raskeid vigastusi või surma.** Õiget valimist, kasutamist, paigaldamist, hooldust ja parandamist puudutavad juhised leiata sellest toote juhendist ja kõikidest tootja soovitustest; või pöörduge oma otsese ülemuse või ettevõtte 3M tehnilise teeninduse poole.

- **Selleks, et vähendada paindliku trossiga / jäiga rööpaga süsteemiga töötamisega kaasnevaid ohte, mille eiramine võib põhjustada raskeid vigastusi või surma, toimige järgmiselt.**
  - Kontrollige süsteemi kõiki komponente enne iga kasutuskorda, vähemalt kord aastas ning pärast iga kukkumist. Kontrollimisel lähtuge toote juhendist.
  - Kui märkate kontrolli käigus, et süsteemi mis tahes osa on ohtlik või defektne, kõrvaldage komponent kasutuselt ja hävitage see.
  - Paindliku trossiga / jäiga rööpaga süsteem, mis on kaitsnud kukkumise eest või millele on avaldunud löögijõud, tuleb kohe kasutusest kõrvaldada ning süsteemi kõiki osi tuleb enne taaskasutamist lasta pädeval isikul kontrollida.
  - Ärge ühendage süsteemi selle paigaldamise ajal.
  - Veenduge, et süsteem sobiks vastavale arvule isikutele samaaegselt kasutamiseks.
  - Lahtipakkimisel võib tross kiiresti lahti kerida. Kasutage trossi lahtipakkimisel asjaomaseid ohutusprotseduure ja kasutage sobivaid isikukaitsevahendeid.
  - Kasutage rakmete süsteemi külge kinnitamiseks ainult sobivaid liitmikke. Ärge kasutage ühtki täiendavat ühendusvahendit.
  - Kasutage ainult toote juhendis kirjeldatud ja heakskiidetud trossi.
  - Ärge takistage ronimishaaratsi lukustustoimingut. Kasutage vahendit ainult süsteemi külge kinnitamiseks ja sealt eraldamiseks.
  - Säilitage ronides alati kolme kontaktpunkti. Lisateavet sobivate ronimisvõtete kohta vt toote juhendist.
  - Veenduge, et mitme tootja valmistatud osadest kokku pandud kukkumiskaitse-süsteemid/alam-süsteemid ühilduks ja oleks kooskõlas kohaldatavate standardite nõuetega, sh standardiga ANSI Z359 või teiste kohaldatavate kukkumiskaitset käsitlevate eeskirjade, standardite või nõuetega. Enne vastavate süsteemide kasutamist konsulteerige alati pädeva ja/või kvalifitseeritud töötajaga.
- **Selleks, et vähendada kõrgustes töötamisega kaasnevaid ohte, mille eiramine võib põhjustada raskeid vigastusi või surma, toimige järgmiselt.**
  - Veenduge, et teie tervislik ja füüsiline seisund võimaldaks teil kõikide kõrgustes töötamisega kaasnevate ohtudega edukalt toime tulla. Kui teil tekib küsimusi, mis on seotud selle vahendi kasutamise suutlikkusega, pidage nõu oma arstiga.
  - Ärge kunagi ületage kukkumisvastase varustuse lubatud kandevõimet.
  - Ärge kunagi ületage kukkumisvastase varustuse maksimaalset vabakukkumise kõrgust.
  - Ärge kunagi kasutage kukkumisvastast varustust, mis ei läbi kasutuseelset või plaanilist kontrolli, ega kasutage seda juhul, kui tekib kahtlusi, kas vahend on konkreetseks kasutamiseks sobiv. Küsimuste korral võtke ühendust ettevõtte 3M tehnilise teenindusega.
  - Mõned alamsüsteemide või komponentide kombinatsioonid võivad häirida selle varustuse toimimist. Kasutage ainult ühilduvaid ühendusi. Pidage nõu ettevõttega 3M, enne kui kasutate varustust koos komponentide või alamsüsteemidega, mida pole kasutusjuhendis kirjeldatud.
  - Töötades liikuvate masinate (nt nafta puurtorni ülemine ajam) lähedal; keskkonnas, kus tuleb arvestada elektri-ohu, äärmuslike temperatuuride, ohtlike kemikaalide, plahvatusohtlike või mürgiste gaaside või teravate servadega või olla rippuvate materjalide all, mis võivad teile või kukkumisvastasele varustusele peale kukkuda, tuleb olla eriti ettevaatlik.
  - Kõrge temperatuuriga keskkonnas kasutage kaarleegi või kuuma temperatuuri eest kaitsvaid vahendeid.
  - Välistage kokkupuudet pindade ja objektidega, mis võivad kasutajat või varustust kahjustada.
  - Veenduge, et kõrgustes töötamise korral oleks kukkumisruum piisav.
  - Ärge modifitseerige ega muutke kukkumisvastast varustust. Varustust võivad parandada ainult ettevõtte 3M töötajad või isikud, keda ettevõtte on selleks kirjalikult volitanud.
  - Enne kukkumisvastase varustuse kasutamist veenduge, et olemas oleks päästekava, mis võimaldab kukkumise korral kiiret päästetegevust.
  - Kukkumise korral võimaldage kukkunud töötajale viivitamatut arstiabi.
  - Ärge kasutage kukkumisvastase varustuse keharihma. Kasutage ainult täisrakmeid.
  - Vähendage võimaliku kukkumisega kaasneva kiikumisliigutuse amplituudi, töötage selleks nii vahetult ankurduspunkti all kui võimalik.
  - Selle vahendi kasutamise väljaõppel tuleb kasutada täiendavat kukkumisvastast varustust, et kaitsta koolitatavat isikut tahtmatu kukkumise eest.
  - Kandke varustuse/süsteemi paigaldamisel, kasutamisel või kontrollimisel sobivaid isikukaitsevahendeid.

Enne selle varustuse paigaldamist ja kasutamist kirjutage tehasesildilt välja toote tuvastamist võimaldavad andmed, mis on vajalikud selle kasutusjuhendi lõpus toodud ülevaatus- ning hoolduspäeviku (tabel 2) täitmiseks.

Veenduge alati, et kasutaksite 3M kasutusjuhendi uusimat versiooni. Uusimate kasutusjuhendite nägemiseks külastage ettevõtte 3M veebilehte või võtke ühendust ettevõtte 3M tehnilise teenindusega.

## TOOTE KIRJELDUS.

Joonisel 1 on näidatud 3M™-i DBI-SALA® Lad-Saf™-sarja redeli kukkumiskaitsesüsteem. Lad-Saf™-sarja redeli kukkumiskaitsesüsteemid on mõeldud töötaja kaitsmiseks kukkumise eest, kui ta ronib mööda fikseeritud redelit või muud sarnast ronimiskonstruktsiooni. Lad-Saf-süsteem hõlmab ülemist klambrit, trossi, trossihaaratsit, trossijuhikut, süsteemi silti ja alumist klambrit. Ülemine klamber (A) kinnitatakse redeli ülaossa ja see fikseerib trossi (B) koos alumise klambri (F), mis kinnitatakse redeli alla. Trossihaarats (C) liigub koos kasutajaga mööda trossi üles ja alla ning kinnitub kasutaja rakmete eesmise D-rõnga külge. Trossijuhik (D) hoiab trossi paigal. Süsteemi sildil (E) on toodud oluline ohutusteave ja see tuleb paigutada süsteemi peale või selle lähedusse. Süsteemi silt on näidatud joonisel 10 tähisega E.

Joonisel 2 on näidatud Lad-Saf X3 trossihaaratsi komponendid. Trossihaarats hõlmab ülemist rullikut, pööratavat küljeplaati, käepidet, haaratsi korpust, lukustushooba, alumist rullikut, karabiini ja lukustusnukki. Ülemine rullik (A) koos alumise rullikuga (F) kinnitavad trossihaaratsi trossi külge. Pööratav küljeplaat (B) ja käepide (C) on avatavad, et võimaldada trossihaaratsi paigaldamist trossile. Haaratsi korpus (D) moodustab trossihaaratsi põhikonstruktsiooni. Lukustushoob (E) lukustab trossihaaratsi ja takistab seadme tahtmatut avanemist. Lukustusnukk (H) hoiab trossihaaratsit lukustatud olekus oma kohal. Karabiin (G) kinnitatakse kasutaja rakmete eesmise D-rõnga külge.

Lad-Saf X3 vertikaalse trossihaaratsi ja kukkumiskaitsesüsteemi komponentide spetsifikatsioonid leiate tabelist 1.

**Tabel 1 – Spetsifikatsioonid**

Süsteemi spetsifikatsioonid.				
<b>Süsteemi paigaldamine</b>	<b>Paigaldusjuhend</b>	<b>Süsteemi tüüp</b>	<b>Süsteemi kirjeldus</b>	
	5908282	Vertikaalne	Lad-Saf-sarja trossiga kukkumiskaitsesüsteem	
	5903435	Vertikaalne	Lad-Saf-sarja trossiga kukkumiskaitsesüsteem koos pöördliigendiga D-rõngaga	
<b>Lad-Saf-sarja trossihaarats</b>	<b>Tootekood</b>	<b>Rakendumisjõud</b>	<b>Maksimaalne kasutus pikkus</b>	<b>Minimaalne purunemistugevus</b>
	6160054	2,0 kN (450 naeljalga)	102 mm (4,0 tolli)	16 kN (3600 naeljalga)
<b>Kandevõime.</b>	Iga kasutaja koguraskus (koos rõivaste, tööriistade jm) peab olema vahemikus 40–140 kg (88–310 naela). Lad-Saf-süsteemil võib olla korraga kuni neli kasutajat, kuid iga Lad-Saf X3 vertikaalse trossihaaratsi külge võib olla kinnitatud ainult üks kasutaja. Täiendavate kasutajate jaoks tuleb kasutada täiendavaid trossihaaratsid.			
<b>Nõuded ankurdusele.</b>	<b>Kasutajate arv:</b>	<b>Ankurduse tugevus:</b>	<b>Kasutajate arv:</b>	<b>Ankurduse tugevus:</b>
	1	12 kN (2700 naeljalga)	3	17,5 kN (3940 naeljalga)
	2	14,8 kN (3320 naeljalga)	4	20,3 kN (4560 naeljalga)
<b>Töötemperatuur.</b>	–40 °C kuni 60 °C (–40 °F kuni 140 °F)			
<b>Standardid.</b>	Lad-Saf X3 vertikaalset trossihaaratsit ja kukkumiskaitsesüsteemi on katsetatud selle kasutusjuhendi esikaanele märgitud standardite kohaselt.			
<b>Trossi spetsifikatsioonid</b>	Lad-Saf X3 trossihaaratsit võib kasutada ainult 9,5 mm (3/8-tollise) läbimõõduga monoliitse südamikuga trossiga. Kasutamine koos teiste trossidega on keelatud ja võib põhjustada raskeid vigastusi või surma.			
	<b>Tootekood</b>	<b>Kirjeldus</b>	<b>Materjal</b>	<b>Minimaalne purunemistugevus</b>
	6104XXX / CE 6134XXX	9,5 mm (3/8 tolli), 1 x 7	Galvaanitud teras	68,4 kN (15 400 naela)
	6105XXX / CE 6135XXX	9,5 mm (3/8 tolli), 1 x 7	Roostevaba teras	80 kN (18 000 naela)
	6106XXX / CE 6136XXX	9,5 mm (3/8 tolli), 7 x 19	Galvaanitud teras	64 kN (14 400 naela)
	6107XXX / CE 6137XXX	9,5 mm (3/8 tolli), 7 x 19	Roostevaba teras	53,3 kN (12 000 naela)
	<b>mass</b>			
	0,41 kg/ m (0,27 jalgnaela)			
	0,41 kg/ m (0,27 jalgnaela)			
	0,41 kg/ m (0,27 jalgnaela)			
	0,41 kg/ m (0,27 jalgnaela)			

**Tabel 1 – Spetsifikatsioonid**

**Komponendi spetsifikatsioonid**

**Lad-Saf-sarja redeli kukkumiskaitstesüsteem**

<b>Tähis joonisel 1</b>	<b>Komponent</b>	<b>Materjalid</b>
Ⓐ	Ülemine klamber	Tsingitud teras või roostevaba teras
Ⓑ	Tross	Tsingitud teras või roostevaba teras
Ⓒ	Trossihaarats	Roostevaba teras
Ⓓ	Trossijuhik	Uretaan
Ⓔ	Süsteemi silt	Roostevaba teras
Ⓕ	Alumine klamber	Tsingitud teras või roostevaba teras

**Lad-Saf-sarja trossihaarats**

<b>Tähis joonisel 2</b>	<b>Komponent</b>	<b>Materjalid</b>
Ⓐ	Ülemine rullik	Nailon
Ⓑ	Pööratav küljeplaat	Roostevaba teras
Ⓒ	Käepide	Roostevaba teras
Ⓓ	Haaratsi korpus	Roostevaba teras
Ⓔ	Lukustushoob	Roostevaba teras
Ⓕ	Alumine rullik	Nailon
Ⓖ	Karabiin	Tsinkkattega teras
Ⓗ	Lukustusnukk	Roostevaba teras

## 1.0 TOOTE KASUTAMINE

- 1.1 OTSTARVE.** See Lad-Saf™-sarja redeli kukkumiskaitstesüsteem on personaalse kukkumiskaitstesüsteemi osa. Koos Lad-Saf™-sarja eraldatava trossihaaratsiga kasutatav Lad-Safi redeli ohutussüsteem on mõeldud kaitsma töolist, kui ta peaks fikseeritud redelil või muul sarnasel ronimiskonstruktsioonil ronides kukkuma.

**Ainult kukkumise piiramiseks.** Äрге kasutage Lad-Saf-sarja redeli kukkumiskaitstesüsteemi muul otstarbel kui ainult kukkumiskaitseks.

- 1.2 STANDARDID.** See redeli kukkumiskaitstesüsteem vastab riiklikele või piirkonna standardi(te)le, mis on ära toodud kasutusjuhendi esikaanel. Kui seda toodet müüakse mujal kui algses sihtriigis, peab edasimüüja esitama selle kasutusjuhendi vastava riigi riigikeeles, kus toodet kasutatakse.
- 1.3 JÄRELEVALVE.** Lad-Saf-sarja redeli kukkumiskaitstesüsteem kasutamine peab toimuma pädeva isiku järelevalve all<sup>1</sup> Lad-Saf-sarja redeli kukkumiskaitstesüsteemi seadistamine peab toimuma pädeva isiku järelevalve all<sup>2</sup>.
- 1.4 VÄLJAÕPE.** Lad-Saf-sarja redeli kukkumiskaitstesüsteemi peavad paigaldama ja seda kasutama töötajad, kes on saanud selle nõuetekohase kasutamise väljaõppe. See juhend on mõeldud kasutamiseks osana töötajate koolitusprogrammist CE ja/või piirkondlike nõuete täitmiseks. Selle varustuse kasutajad ja paigaldajad peavad olema selle juhendiga tutvunud, oskama varustust hooldada ja kasutada ning olema teadlikud varustuse tehnilistest näitajatest, piirangutest ja väärkasutuse tagajärgedest.
- 1.5 PÄASTEPLAAN.** Selle varustuse kasutamisel ja alamsüsteemide ühendamisel peab tööandjal olema koostatud päästeplaan ning vahendid selle rakendamiseks ja esitamiseks kasutajatele, volitatud isikutele<sup>3</sup> ning päästjatele<sup>4</sup>. Soovitatav on asjakohase väljaõppega kohapealse päästemeeskonna olemasolu. Meeskonnaliikmetel peaks olema päästeoperatsiooni õnnestumiseks vajalik varustus ja teadmised vajalikest töövõtetest. Päästjate oskuste tagamiseks peavad nad läbima regulaarseid koolitusi.
- 1.6 ÜLEVAATUSE INTERVALL.** Kasutaja peab selle redeli kukkumiskaitstesüsteemi enne iga kasutuskorda üle kontrollima. Peale selle peab seda tegema pädev isik vähemalt ühe korra aastas.<sup>5</sup> Ülevaatuistunguid on kirjeldatud jaotises „Ülevaatus- ja hoolduspäevik“. Pädeva isiku iga ülevaatuuse tulemused tuleks dokumenteerida, kasutades „Ülevaatus- ja hoolduspäeviku“ koopiaid.
- 1.7 PÄRAST KUKKUMIST.** Kui sellele Lad-Saf-sarja süsteemile rakenduvad kukkumise pidurdamise jõud, tuleb see kohe kasutuselt kõrvaldada, märkida sellele selgeltloetavalt tekst „MITTE KASUTADA“ ning seejärel toode hävitada. Seejärel tuleb Lad-Saf-sarja trossihaarats ja kukkumiskaitstesüsteem hävitada või saata asendamiseks ettevõttele 3M.

## 2.0 SÜSTEEMI NÕUDED

- 2.1 ANKURDUS.** Nõuded ankurdusele olenevad konkreetsest kukkumiskaitserakendusest. Struktuur, mille külge redeli kukkumiskaitstesüsteem kinnitatakse, peab vastama tabelis 1 toodud ankurdusnõuetele.
- 2.2 OHUD.** Selle varustuse kasutamine keskkonnaohtudega aladel võib nõuda täiendavaid ettevaatusabinõusid, et vältida kasutaja vigastamist või seadmete kahjustamist. Ohtude hulka võivad kuuluda järgmised tegurid: kõrge kuumus, kemikaalid, korrodeeriv keskkond, kõrgepingeliinid, plahvatusohtlikud või mürgised gaasid, liikuv tehnika, teravad servad või pea kohal olevad materjalid, mis võivad kasutajale või personaalse kukkumise pidurdamise süsteemile peale kukkuda.
- 2.3 RONIMISABI ÜHILDUVUS.** Äрге kasutage elektrilist ronimisabi (PCA) koos 3M-i ronimisredeli kukkumiskaitstesüsteemiga (CLFAS), sealhulgas Lad-Saf-sarja vertikaalse julgestusköie süsteemi ja Lad-Saf X2, X3 või X3+ eraldatavate trossihaaratsitega, välja arvatud juhul, kui 3M on kinnitanud, et PCA ühildub 3M-i CLFAS-iga. Selle hoiatuse eiramise ning mitteühilduvate PCA- ja CLFAS-süsteemide kasutamise ei pruugi kukkumiskaitse kasutaja kõrgelt kukkumise korral piisavat ohutust tagada. Küsimuste korral võtke ühendust ettevõtte 3M tehnilise teenindusega aadressil 3MFallProtectionTech@mmm.com.

**3M-i vertikaalsüsteemidega mitteühilduvate ronimisabisüsteemide kasutamine võib põhjustada raskeid vigastusi või surma.**

- 2.4 ÜHILDUVAD KOMPONENDID.** Ettevõtte 3M varustus on mõeldud kasutamiseks ainult ettevõtte 3M heakskiidetud komponentide ja alamsüsteemidega. Komponentide asendamine või väljavahetamine ilma heakskiiduta komponentide või alamsüsteemide vastu seab ohtu varustuse ühilduvuse ja võib vähendada kogu süsteemi ohutust ning töökindlust.
- 2.5 LIITMIKE ÜHILDUVUS.** Liitmikke saab pidada ühendusdetailidega ühilduvateks juhul, kui need on koos toimimiseks projekteeritud nii, et nende mõõtmed ja kuju ei põhjusta liitmike sulgurmehhanismide soovimatut avanemist, olenemata sellest, mis asendis need on. Juhul kui teil tekib küsimusi ühilduvuse kohta, võtke ühendust ettevõttega 3M. Liitmikud (haagid, karabiinid ja D-rõngad) peavad taluma vähemalt 22,2 kN (5000-naelast) koormust. Liitmikud peavad ühilduma ankurdussüsteemi ja muude süsteemi komponentidega. Äрге kasutage mitteühilduvat varustust. Mitteühilduvad liitmikud võivad kinnitusest ootamatult lahti tulla (vt joonist 4). Liitmikud peavad ühilduma oma mõõtmete, kuju ja tugevusomaduste poolest. Juhul kui ühendusdetail, mille külge kinnitatakse iselukustuv konks või karabiin, on alamõõduline või ebasobiva kujuga, võib ette tulla olukordi, kus ühendusdetaili avaldatav jõud rakendub iselukustuva konksu või karabiini (A) sulgurile. See jõud võib põhjustada sulguri avanemist (B), mille tagajärjel tuleb iselukustuv konks või karabiin ühenduspunkti (C) küljest lahti. Iselukustuvad kinnituskonksud ja karabiinid on nõutavad ANSI Z359 ja OSHA kohaselt.

- 1 Pädev isik:** isik, kes on pädev hindama olemasolevaid ja ettenähtavaid ohte ümbritsevates töötingimustes, mis on töötaja jaoks antisanitaarsed või ohtlikud. Pädev isik on volitatud viivitamatult tarvitusele võtma meetmed selliste ohtude kõrvaldamiseks.
- 2 Pädev isik:** isik, kellel on tunnustatud kraad, tunnistus või ametialane staatus või kes on laialdaste teadmiste, väljaõppe ja kogemustepagasi abil tõestanud oma võimet lahendada kukkumiskaitse- ja päästesüsteemidega seotud probleeme OSHA või muude kohaldatavate riiklike, piirkondlike ning kohalike eeskirjadega nõutud määral.
- 3 Volitatud isik:** tööandja määratud isik, kellel on õigus teha tööd kohas, kus inimene puutub kokku kukkumishooga.
- 4 Päästja:** isik või isikud peale päästetava, kes kasutavad päästesüsteemi inimese päästmiseks.
- 5 Ülevaatuuse intervall:** töötamine rasketes oludes (karmid tingimused, pikaajaline kasutamine jne) nõuavad sagedasemat ülevaatus selleks pädeva isiku poolt.

**2.6 ÜHENDUSTE LOOMINE.** Selle varustusega kasutatavad konksud ja karabiinid peavad olema iselukustuvad. Veenduge, et kõik liitmikud ühilduksid omavahel nii mõõtmete, kuju kui ka tugevusomaduste poolest. Ärge kasutage mitteühilduvat varustust. Veenduge, et kõik liitmikud on korralikult suletud ja lukustatud.

Ettevõtte 3M liitmikud (iselukustuvad konksud ja karabiinid) on mõeldud kasutamiseks üksnes vastava toote kasutusjuhendis kirjeldatud viisil. Joonisel 5 on näidatud valesti tehtud ühendused. Ärge kinnitage iselukustuvaid konkse ja karabiine järgmiselt.

- A. D-rõngaga, mille külge on kinnitatud teine liitmik.
- B. Sulgurile koormust avaldaval viisil. Suure avaga iselukustuvaid konkse ei tohiks ühendada standardmõõdus D-rõngastega ega sarnaste objektidega, mis põhjustaks koormust väravale, kui konks või D-rõngas väändub või pöörleb, kui iselukustuval konksul pole 16 kN (3600 naelast) värvat. Kontrollige oma iselukustuval konksul olevat märgistust veendumaks, et see on teie rakenduse jaoks sobiv.
- C. Valesse kinnituspunkti, viltu ega kohta, kus iselukustuvast konksust või karabiinist väljaulatuvad osad võivad ankru taha takerduda. Samuti tuleb visuaalselt veenduda korralikus kinnituses ankurduspunktiga.
- D. Teineteise külge.
- E. Otse linttropi, köie või ankru külge (välja arvatud juhul, kui nii liini kui ka liitmiku tootja juhised sellist kinnitust sõnaselgelt lubavad).
- F. Mitte ühegi eseme külge, mille kuju või mõõtmed ei võimalda iselukustuval konksul või karabiinil täielikult sulguda ja lukustada või mille puhul esineb oht, et kinnitus võib lahti tulla.
- G. Liitmikku koormuse all valesse asendisse sundival viisil.

### 3.0 PAIGALDAMINE

*Lad-Saf-süsteemi paigaldustoimingute kohta lisateabe saamiseks lugege toote paigaldusjuhendit. Lisateavet leiata juhenditest nr 5908282 või 5903435.*

**3.1 KAVANDAMINE.** Enne töö alustamist kavandage Lad-Saf-sarja redeli kukkumiskaitstesüsteemi kasutamine. Võtke arvesse kõiki asjaolusid, mis võivad mõjutada teie ohutust enne kukkumist, kukkumise ajal ja pärast kukkumist. Järgige kõiki jaotises 2 ja tabelis 1 kirjeldatud nõudeid, piiranguid ning spetsifikatsioone.

- Veenduge, et süsteem sobiks vajaliku arvu kasutajate kaitsmiseks.
- Süsteemiga ühendamise ja selle küljest lahtiühendamise kaasnevad ohud. Kasutage sekundaarset kukkumiskaitse lahendust. Veenduge, et ühendamise- ja lahtiühendamispunktides oleksid olemas sobivad ankurduspunktid, platvormid vms abivahendid, mis võimaldavad ohutut üleminekut süsteemi külge ja selle küljest.
- Kasutaja jalgade ja alla jääva pinna vahele peab jääma minimaalselt 2,0 m (7 jalga) kukkumisruum. Kasutaja ei pruugi olla kaitstud maapinna või platvormi vastu kukkumise eest tõusmise esimesel 2,0 m (7 jalga) või laskumise viimasel 2,0 m (7 jalga). Kasutage sobivaid nimisvõtteid (nt tagage ronides käte ja jalgadega alati kolm kontaktpunkti), kui ronite mööda redeli mis tahes osa üles või alla, kus Lad-Saf™-süsteem kaitset ei paku.
- Kasutage ronides sobivaid ohutusvõtteid. Ärge kandke tööriistu ega varustust käes. Hoidke käed vabad, et kasutada neid ronimiseks. Kinnitage kantavad esemed enda külge, et vältida nende kukkumist vastu allpool ronivaid töötajaid. Ronige oma võimete piires. Pikad ronimised võivad nõuda tõusmisel või laskumisel mitut puhkepeatust, et vältida enda ülekoormamist. Kasutage puhkepauside ajal sobivat tööasendisse paigutamise varustust. Ärge **ronige** tugeva tuule või äärmuslike ilmaolude korral.
- Veenduge, et trossijuhikute vahel roniks ainult üks kasutaja.

**3.2 TROSSIHAARATSI ÜHENDAMINE ANKURDUSTROSSIGA.** Lad-Saf X3 vertikaalne trossihaarats tuleb kasutamiseks ühendada 3M-i Lad-Saf-sarja redeli kukkumiskaitstesüsteemiga. Vt joonist 7. Lad-Saf X3 trossihaaratsi ühendamiseks Lad-Saf-süsteemi ankurdustrossiga toimige järgmiselt.

1. **Paigutage trossihaarats nii, et sellel olev ülesnool (I) on suunatud tõusu poole.**
2. **Pöörake lukustushoob (E) avatud asendisse.** Joonisel 3 on näidatud lukustushoova lukustatud (A) ja avatud (B) asend. Lukustushoob on eraldatava trossihaaratsi kummalgi küljel, et seda saaks kasutada nii parema kui ka vasaku käega.
3. **Tõmmake pööratavat küljeplaati (B) tahapoole lõppasendisse.** Kui pööratav küljeplaat on lõppasendis, võib lukustushoova (E) vabastada. Lukustusnukk (H) on täielikult pikendatud.
4. **Pöörake käepide (C) kõige ülemisse asendisse.** See võimaldab lukustusnukil kõrvale liikuda, et haaratsi saaks trossile paigaldada.
5. **Hoidke haaratsit püsti ja sisestage tross (J) läbi haaratsi küljel oleva pilu, liigutades haaratsit samal ajal mööda trossi üles.** Paigutage tross haaratsis olevasse kanalisse. Vabastage käepide (C) ning pöörake küljeplaati (B) ja lukustushooba (E), et haarats trossi külge lukustada. **Veenduge enne kasutamist, et lukustushoob (E) oleks lukustatud asendis.**

**3.3 TROSSIHAARATSI ÜHENDAMINE RAKMETEGA.** Trossihaaratsi ja täisrakmed võib omavahel ühendada enne või pärast trossihaaratsi kinnitamist Lad-Saf-süsteemi külge. Lad-Saf-süsteemiga ühendamise või selle küljest lahtiühendamise ajal on soovitatav kasutada täiendavat kukkumiskaitstesüsteemi. Trossihaaratsi käsitsemine tõusmisel või laskumisel tekitab kasutajale kukkumisohu. Lad-Saf-süsteemi nurk kasutamise ajal võib olla vertikaalsuuna suhtes maksimaalselt 15°.

*Ärge kasutage muid ühendusseadmeid ega kombineerige varustust (nt turvarihm) trossihaaratsi komplekti kuuluva liitmikuga. Kasutage alati trossihaaratsi komplektis olevat karabiinliitmikku. Ärge asendage muude liitmikega.*

- **TÕUSMINE.** Mööda konstruktsiooni üles liikudes tagage ronides alati kolm kontaktpunkti (käte ja jalgadega). Lad-Saf X3 eraldatav trossihaarats liigub ronijaga kaasa. Ankurdustross hüppab trossijuhikutest välja, kui need teele jäävad. **Ärge käsitsege ega eemaldage trossihaaratsit ankurdustrossi küljest, kui möödute trossijuhikust või kui trossihaarats lukustub.**
- **LASKUMINE.** Mööda konstruktsiooni alla liikudes tagage ronides alati kolm kontaktpunkti (käte ja jalgadega). Laske Lad-Saf X3 eraldataval trossihaaratsil ronija alla „juhtida“. Vales asendis alla ronimine (nt liigselt taha nõjatudes või ebaühtlases tempos liikumine) võib põhjustada trossihaaratsi lukustumist ankurdustrossi külge. Kui trossihaarats lukustub, ronige veidi üles, et see vabaneks, ja jätkake seejärel mööda konstruktsiooni alla ronimist. Ühendage ankurdustross pärast trossijuhikust möödumist tagasi trossijuhiku külge. **Ärge käsitsege ega eemaldage trossihaaratsit ankurdustrossi küljest, kui möödute trossijuhikust või kui trossihaarats lukustub.**
- **LAHTIÜHENDAMINE.** Kui ronimine on lõpetatud, ühendage trossihaarats süsteemi küljest lahti. Vt komponente joonisel 2.
  1. Eemaldage haarats trossi küljest, pöörates lukustushooba (E).
  2. Tõmmake küljeplaati (B) tahapoole ja pöörake käepide (C) täielikult püstiasendisse.
  3. Trossihaaratsi saab nüüd trossi küljest eemaldada ja hoiule panna.

### 4.0 KASUTAMINE

**4.1 ENNE IGA KASUTUSKORDA.** Veenduge, et teie tööpiirkond ja personaalne kukkumiskaitstesüsteem (PFAS) oleksid kooskõlas kõigi jaotises 2 määratletud kriteeriumitega ning koostatud oleks ametlik päästeplaan. Kontrollige Lad-Saf-süsteemi kooskõlas kasutajale mõeldud kontrolltoimingutega jaotises „Ülevaatus ja hoolduspäevik“ (tabel 2). Ärge kasutage süsteemi, kui ülevaatusel leitakse ohtlikke puudusi või defekte. Kõrvaldage süsteem kohe kasutuselt ja märgistada selgelt tekstiga MITTE KASUTADA. Lad-Saf-sarja vertikaalne trossihaarats ja kukkumiskaitstesüsteem tuleb seejärel hävitada või saata asendamiseks ettevõttele 3M.



- 4.2 SÜSTEEMI ÜHENDUSED.** Lad-Saf-süsteemi tuleb kasutada koos täisrakmetega, mis on kooskõlas ANSI 2359.11, CSA Z259.10, EN 361 või muu kohaldatava riikliku, piirkondliku või kohaliku standardiga. Täisrakmete õigeks paigaldamiseks lugege tootja juhiseid. Täisrakmetega kasutamiseks ühendage Lad-Saf-süsteemi karabiin täisrakmete eesmise D-rõngaga (A). Ühendamine täisrakmete muu liitmiku või D-rõngaga on keelatud.

OSHA 1910.29 ja OSHA 1926.1053 nõuavad, et ankurdustrossi ja kinnituspunkti vahelise ühenduse pikkus ei ületaks 23 cm (9 tolli).

## 5.0 ÜLEVAATUS

- 5.1 ÜLEVAATUSE INTERVALL.** Lad-Saf-süsteemi ülevaatus peab toimuma jaotises 1 määratletud intervallidega. Ülevaatus toimingu on kirjeldatud lõigus „Ülevaatus- ja hoolduspäevik“ (tabel 2). Kontrollige kukkumiskaitstesüsteemi kõiki muid komponente tootja juhendis määratletud intervalle ja toiminguid järgides.
- 5.2 DEFEKTID.** Kui ülevaatusel ilmneb ohtlik või puudulik seisund või kui süsteemi seisukorras peaks tekkima kahtlusi, kõrvaldage Lad-Saf-süsteem kohe kasutuselt ja märgistada selgelt tekstiga MITTE KASUTADA. Lad-Saf-sarja vertikaalne trossihaarats ja kukkumiskaitstesüsteem tuleb seejärel hävitada või saata asendamiseks ettevõttele 3M. Ärge proovige süsteemi ise parandada.
- 5.3 TOOTE KASUTUSIGA.** Lad-Saf-süsteemi kasutusiga oleneb töötingimustest ja hooldusest. Toode võib kasutada, kuni see vastab ülevaatus kriteeriumitele.
- ## 6.0 HOOLDAMINE, PUHASTAMINE, HOIUSTAMINE
- 6.1 SÜSTEEMI PUHASTAMINE.** Ülevaatussega seotud hooldusküsimusi vt jaotises 5.0. Kui ankurdustross on õli, määrded, värvi jm ainetega tugevalt määrdunud, puhastage seda sooja seebiveega. Pühkige trossi puhta ja kuiva lapiga. Mitte kiirendada kuivamist kuumutamise teel. Ärge kasutage happelisi ega söövitavaid kemikaale, mis võivad trossi kahjustada.

Ülejäänud parandus- või hooldustoiminguid võib teha ainult volitatud hooldustöökoda. Volitus peab olema kirjalik.

- 6.2 TROSSIHAARATSI PUHASTAMINE.** Määrdunud Lad-Saf X3 vertikaalset trossihaaratsit võib puhastada järgmiselt.
1. Segage neli osa sooja vett ühe osa õrnatoimelise puhastuslahusega (nt Simple Greeni vms lahus).
  2. Pange trossihaarats lahusesse ja leotage kogu trossihaaratsit segus 2–3 tundi.
  3. Eemaldage trossihaarats lahusest ja loputage sooja veega vähemalt 1 minut. Eemaldage kindlasti kogunenud mustus.
  4. Enne kasutamist laske trossihaaratsil 24 tundi õhu käes kuivada. Kuivatamiseks võib kasutada jahedat õhuvoolu.
  5. Vt joonist 2. Kandke väike kogus määret pöördepunktidele (E) või küljeplaadi (B) alusküljele.
  6. Tehke jaotises 5.3 kirjeldatud kasutuseelne ülevaatus. Veenduge, et trossihaaratsisse poleks sattunud prahti, mis võib mõjutada selle tööd.
- 6.3 HOIUSTAMINE JA TRANSPORT.** Hoiustage Lad-Saf X3 vertikaalset trossihaaratsit jahedas, kuivas ja puhtas keskkonnas otsese päikesevalguse eest kaitstuna. Vältige kohti, kus võib olla kemikaalide aure. Pärast pikemat hoiustamist kontrollige trossihaaratsit põhjalikult.
- Transportige Lad-Saf-sarja trossihaaratsit pakendatult, et kaitsta seda löikekahjustuste, niiskuse ja ultraviolettkiirguse eest. Vältige söövitavat, liiga kuumu või liiga külma keskkonda.
- 6.4 PARANDAMINE.** Seda seadet võib parandada ainult 3M või 3M-i poolt selleks kirjalikult volitatud isikud. Kui Lad-Saf-sarja vertikaalsele trossihaaratsile ja kukkumiskaitstesüsteemile on avaldunud kukkumiskahjustused või ülevaatusel leitakse ohtlikke puudusi või defekte, kõrvaldage süsteem kohe kasutuselt ja märgistage selgelt tekstiga MITTE KASUTADA. Lad-Saf-sarja vertikaalne trossihaarats ja kukkumiskaitstesüsteem tuleb seejärel hävitada või saata asendamiseks ettevõttele 3M.

## 7.0 RFID-SILT

- 7.1 ASUKOHT.** Selles kasutusjuhendis käsitletud ettevõtte 3M toode on varustatud raadiosagedustuvastuse (RFID) märgisega. Toote kontrollimise tulemuste registreerimiseks võib RFID-silte kasutada RFID-skanneriga. Vaadake jooniselt 8 oma RFID-sildi asukohta.
- 7.2 KÕRVALDAMINE.** Eemaldage enne toote kõrvaldamist RFID-silt ja kõrvaldage toode või võtke see ringlusse kooskõlas kohalike eeskirjadega. Lisateavet RFID-sildi eemaldamise kohta vt allpool toodud veebisaidilt.



Ärge kõrvaldage seda toodet koos sorteerimata olmejäätmetega. Lähikriipsutatud ratastega prügikasti sümbol näitab, et kõik elektri- ja elektroonikaseadmed tuleb kõrvaldada kooskõlas kohalike seadustega, kasutades saadaolevaid tagastamis- ja kogumissüsteeme. Kui soovite lisateavet, võtke ühendust kohaliku edasimüüjaga või ettevõtte 3M kohaliku esindajaga.

Lisateabe saamiseks külastage meie veebisaiti: <http://www.3M.com/FallProtection/RFID>



## 8.0 SILDID ja MÄRGISTUS

**8.1 SILDID.** Joonisel 9 on näidatud Lad-Saf-sarja redeli kukkumiskaitstesüsteemi siltide asukohad. Joonisel 10 on näidatud üksikasjalikult kõik sildid. Sildid, mille asukohta süsteemil pole märgitud, tuleb paigutada Lad-Saf-süsteemi lähedal asuvasse kohta. Siltidel on toodud järgmine teave.

<b>A</b>	A) Trossihaaratsi mudeli number B) Seerianumber C) Hoiatuslause – järgige kõiki kasutusjuhiseid. D) Lugege kõiki kasutusjuhiseid. E) Maksimaalselt üks kasutaja. F) Kohaldatav standard G) Teavitatud asutuse teave H) Kasutaja kaalu nõuded
<b>B</b>	A) Trossihaaratsi kasutussuund üles.
<b>C</b>	A) Max lubatud vahekaugus süsteemi trossi ja rakmete kinnituspunkti vahel on 23 cm (9 tolli). B) Ärge kasutage trossihaaratsit koos turvarihmaga. Ärge tehke süsteemile mingeid muudatusi.
<b>D</b>	ID/partii number (YYMMWWTT): YY = valmistamisaasta kaks viimast numbrit. MM = valmistamiskuu. WW = valmistamisinädal. TT = ettevõtte 3M organisatsioonisiseks kasutuseks.
<b>E</b>	1) Paigalduskuupäev 2) Installija 3) Ankurdamisnõuded 4) Maksimaalne kasutajate arv süsteemi kohta 5) Süsteemi pikkus 6) Tootmiskuupäev 7) Ülevaatuse kuupäev 8) Seerianumber 9) Süsteemi hoiatused 10) Trossi tüübi ja haaratsi ühilduvuse tabel koos standardite sertifikaadiga. 11) RFID-silt (vt jaotist 7.0)

**Tabel 2. Ülevaatus- ja hoolduspäevik**

Ülevaatuskuupäev:		Ülevaataja:	
Komponent	Ülevaatus. (Vt jaotis 2 Ülevaatusintervall)	Kasutaja	Pädev isik
Trossihaarats (Joonis 2)	Kontrollige käepidet (C) paindumise, pragunemise ja deformeerumise suhtes. Kõik kinnitid peavad olema alles ja pingutatud. Käepideme ja nuki talitlus peab olema sujuv ja takistusteta. Vedrud peavad olema kindlad ja piisava tugevusega, et tõmmata käepide alla. Käepide toimib ka energianeelduri ja kukkumise indikaatorina. Käepide deformeerub, kui seda on kasutatud kukkumise peatamiseks. Joonisel 11.3 on näidatud käepide, mida ei ole kasutatud kukkumise peatamiseks (A), ja käepide, mida on kasutatud kukkumise peatamiseks ja mis on deformeerinud (B). Kui käepide on deformeerinud rohkem kui $A = 12,7 \text{ mm}$ (1/2 tolli), ärge seda kasutage. Trossihaarats tuleb kasutuselt kõrvaldada.	<input type="checkbox"/>	<input type="checkbox"/>
	Veenduge, et lukustushoob (E) liiguks sujuvalt ning hüppaks pärast vabastamist tagasi lukustatud asendisse.	<input type="checkbox"/>	<input type="checkbox"/>
	Kontrollige lukustusnuki (H) kulumist. Veenduge, et nukil poleks kahjustusi.	<input type="checkbox"/>	<input type="checkbox"/>
	Kontrollige lukustusnuki (H), hoides selleks haaratsit vertikaalselt, käepidet (C) püstises asendis, ning raputage haaratsit kukkumise simuleerimiseks üles ja alla. Nukk peaks vabalt pöörlema.	<input type="checkbox"/>	<input type="checkbox"/>
	Kontrollige lukustusnuki (H) hoides haaratsit horisontaalselt, käepidet (C) püstises asendis, ning asetage haaratsi tagakülge tasasele pinnale niimoodi, et Lad-Saf X3 silt jääb üles. Nukk peaks täielikult üles pöörama haaratsi ülaosa suunas.	<input type="checkbox"/>	<input type="checkbox"/>
	Kontrollige pööratava küljeplaadi (B) talitlust, tõmmates seda tagasi, et trossikanal avada. See ei tohi pöörelda. Kui see pöörleb ilma lukustushooba (E) pööramata, kõrvaldage haarats kasutuselt.	<input type="checkbox"/>	<input type="checkbox"/>
	Kontrollige kogu süsteemi korrosiooni suhtes.	<input type="checkbox"/>	<input type="checkbox"/>
Ülemine klamber (Joonis 11,2)	Kontrollige, kas paigaldus on tehtud kooskõlas Lad-Saf™-sarja vertikaalse trossi kukkumiskaitse süsteemide paigaldusjuhendiga (ettevõtte 3M kukkumiskaitsejuhend 5908282 või 5903435).	<input type="checkbox"/>	<input type="checkbox"/>
	Kontrollige nähtavate kahjustuste ja korrosiooni osas. Otsige pragunemist, paindumist või kulumist, mis võiks mõjutada süsteemi tugevust ja talitlust. Kontrollige keeviliiteid. Otsige pragunenud või purunenud keeviliiteid, mis võiksid mõjutada klambri tugevust. Defektide korral vahetage varuosad.	<input type="checkbox"/>	<input type="checkbox"/>
	Veenduge, et ülemise klambri kinnitid (polidid, klamberplaadid, U-polidid), mis kinnitavad selle konstruktsiooni külge, pole lõdvdad ega puudu. Kui kinnitid on lõdvdad, pingutage need momentidega, mis on toodud teie Lad-Saf-sarja trossiga kukkumiskaitse süsteemi komplektis olevas paigaldusjuhendis.	<input type="checkbox"/>	<input type="checkbox"/>
	Kontrollige ülemist kinnitusplaati deformeerumise suhtes. Asukohas A peaks tühimik olema minimaalselt 5 mm (0,20 tolli).	<input type="checkbox"/>	<input type="checkbox"/>
	Veenduge, et nii suur tihvt (B) kui ka väike tihvt oleksid oma kohal. Veenduge, et vedruga sulgur (C) oleks õiges asendis olemas.	<input type="checkbox"/>	<input type="checkbox"/>
	Kontrollige ühiepunkti ankru (D) pragude ja kahjustuste osas. Kontrollige kinniti pingust. Veenduge, et seibil on nähtav märgistus.	<input type="checkbox"/>	<input type="checkbox"/>
Alumine klamber (Joonis 11,1)	Kontrollige, kas paigaldus on tehtud kooskõlas Lad-Saf™-sarja vertikaalse trossi kukkumiskaitse süsteemide paigaldusjuhendiga (ettevõtte 3M kukkumiskaitsejuhend 5908282 või 5903435).	<input type="checkbox"/>	<input type="checkbox"/>
	Kontrollige kahjustuste ja korrosiooni osas. Otsige pragunemist, paindumist või kulumist, mis võiks mõjutada süsteemi tugevust ja talitlust. Defektide korral vahetage varuosad.	<input type="checkbox"/>	<input type="checkbox"/>
	Veenduge, et alumise klambri kinnitid, mis kinnitavad selle konstruktsiooni külge, pole lõdvdad ega puudu. Kui kinnitid on lõdvdad, pingutage need momentidega, mis on toodud teie Lad-Saf-sarja trossiga kukkumiskaitse süsteemi komplektis olevas paigaldusjuhendis.	<input type="checkbox"/>	<input type="checkbox"/>
	Kontrollige pingutusvarda koostu. Veenduge, et trossiklambrid hoiaksid trossi kindlalt paigal. Kontrollige, et trossiklambrid oleksid pingutatud momendiga 47 N m (35 naeljalga). Defektide korral asendage need või pingutage neid uuesti.	<input type="checkbox"/>	<input type="checkbox"/>

**Tabel 2. Ülevaatus- ja hoolduspäevik**

Ülevaatus- ja hoolduspäevik		Ülevaataja:	
Ülevaatus- ja hoolduspäev:		Ülevaataja:	
Komponent	Ülevaatus. (Vt jaotis 2 Ülevaatusintervall)	Kasutaja	Pädev isik
Trossijuhikud (Joonis 1)	Kontrollige trossijuhikuid kahjustuste suhtes. Otsige mustalt uretaanilt kulumise või kahjustumise märke. Trossijuhikud peaksid trossi kinni hoidma ja takistama trossil redeli/konstruktsiooni vastu puutuda. Trossijuhikud tuleks paigutada ankurdustrossil umbes 6...12 mm (20...40 jalga) intervalliga või vajaduse korral tihedama paigutusega. Defektide korral vahetage varuosad.	<input type="checkbox"/>	<input type="checkbox"/>
	Kontrollige trossijuhiku kinniteid. Kinnitid peaksid hoidma trossijuhikut paigal. Vajadusel pingutage.	<input type="checkbox"/>	<input type="checkbox"/>
Tross (Joonis 1)	Kontrollige trossi korrosiooni, voltide või kahjustuste suhtes, mis võib mõjutada selle tugevust ja takistada trossihaaratsil mööda trossi liikuda. Kui redelile ankurdatud trossil on sälke või volte, peab pädev isik trossi enne kasutamist kontrollima. Kontrollige redeli või konstruktsiooni vastu hõõrdumise märkide suhtes. Defektide avastamisel asendage tross.	<input type="checkbox"/>	<input type="checkbox"/>
	Veenduge, et pingus oleks sobiv. Soon peab ulatuma üle alumise toe (vt tähist E joonisel 11.1). Pingutusvarrast ei tohi saada käega alla tõmmata. Tross peaks olema piisavalt pingul, et vältida kokkupuudet redeli/konstruktsiooniga. Vajadusel pingutage trossi uuesti. Ärge pingutage süsteemi üle.	<input type="checkbox"/>	<input type="checkbox"/>
Sildid (Joonis 9)	Veenduge, et kõik sildid oleksid olemas ja täielikult loetavad.	<input type="checkbox"/>	<input type="checkbox"/>
PFAS ja muu varustus	Ankurdussüsteemiga koos kasutatavate personaalse kukkumise pidurdamise süsteemide (PFAS) komponente (rakmed, SRD jms) tuleks paigaldada ja kontrollida kooskõlas tootja juhistega.	<input type="checkbox"/>	<input type="checkbox"/>
Konstruktsioon	Veenduge, et konstruktsioon, mille külge ankur kinnitatakse, vastaks tabelis 1 toodud tugevusnõuetele igas potentsiaalses koormussuunas.	<input type="checkbox"/>	<input type="checkbox"/>

<b>Seerianumber /-numbrid:</b>	<b>Ostukuupäev:</b>
<b>Mudeli number/numbrid:</b>	<b>Esmase kasutusele võtmise kuupäev:</b>

<b>Korrigeeriv toiming/hooldus:</b>	Kinnitaja:	Järgmine ülevaatus:
	Kuupäev:	
<b>Korrigeeriv toiming/hooldus:</b>	Kinnitaja:	Järgmine ülevaatus:
	Kuupäev:	
<b>Korrigeeriv toiming/hooldus:</b>	Kinnitaja:	Järgmine ülevaatus:
	Kuupäev:	
<b>Korrigeeriv toiming/hooldus:</b>	Kinnitaja:	Järgmine ülevaatus:
	Kuupäev:	
<b>Korrigeeriv toiming/hooldus:</b>	Kinnitaja:	Järgmine ülevaatus:
	Kuupäev:	
<b>Korrigeeriv toiming/hooldus:</b>	Kinnitaja:	Järgmine ülevaatus:
	Kuupäev:	
<b>Korrigeeriv toiming/hooldus:</b>	Kinnitaja:	Järgmine ülevaatus:
	Kuupäev:	
<b>Korrigeeriv toiming/hooldus:</b>	Kinnitaja:	Järgmine ülevaatus:
	Kuupäev:	
<b>Korrigeeriv toiming/hooldus:</b>	Kinnitaja:	Järgmine ülevaatus:
	Kuupäev:	
<b>Korrigeeriv toiming/hooldus:</b>	Kinnitaja:	Järgmine ülevaatus:
	Kuupäev:	

**Lue, ymmärrä ja noudata kaikkia näissä ohjeissa olevia turvallisuustietoja ennen pystysuuntaisen järjestelmän käyttöä. EDELLÄ MAINITUN LAIMINLYÖNTI VOI JOHTAA VAKAAN LOUKKAANTUMISEEN TAI KUOLEMAAN.**

**Nämä ohjeet tulee antaa näiden varusteiden käyttäjälle. Säilytä nämä ohjeet myöhempää tarvetta varten.**

## Käyttötarkoitus:

Tämä pystysuuntainen järjestelmä on tarkoitettu käytettäväksi osana täyttä henkilökohtaista putoamisenestojärjestelmää.

Muihin tarkoituksiin käyttäminen mm. materiaalien käsittelyssä, virkistys- tai urheilutoimissa tai muissa toiminnoissa, joita ei kuvata tuoteohjeissa, ei ole 3M:n sallimaa ja saattaa johtaa vakavaan loukkaantumiseen tai kuolemaan.

Tätä laitetta voivat käyttää ainoastaan koulutetut käyttäjät työskentelytarkoituksiin.

## VAROITUS

Tämä joustava kaapeli-/jäykkäkiskojärjestelmä on osa henkilökohtaista putoamisenestojärjestelmää. Kaikkien käyttäjien odotetaan olevan täysin koulutettuja omien putoamisenestojärjestelmiensä turvallisen asentamisen ja käytön suhteen. **Tämän laitteen väärinkäyttö saattaa johtaa vakavaan loukkaantumiseen tai kuolemaan.** Jos tarvitset tietoja asianmukaisesta valinnasta, käytöstä, asennuksesta, ylläpidosta ja huollosta, tutustu näihin tuoteohjeisiin ja kaikkiin valmistajan suosituksiin, kysy esimieheltä tai ota yhteyttä 3M:n tekniseen palveluun.

- **Vähentääksesi joustavien kaapeli-/jäykkäkiskojärjestelmien kanssa työskentelyyn liittyviä riskejä, jotka mahdollisesti voivat aiheuttaa vakavan loukkaantumisen tai kuoleman:**
  - Tarkasta kaikki järjestelmän komponentit ennen jokaista käyttökertaa, vähintään kerran vuodessa ja jokaisen putoamistapauksen jälkeen. Suorita tarkastus tuotteen ohjeiden mukaisesti.
  - Jos tarkastus paljastaa vaarallisen tai viallisen tilan järjestelmän komponentissa, poista kyseinen komponentti käytöstä ja hävitä se.
  - Kaikki joustavat kaapeli-/jäykkäkiskojärjestelmät, joihin on kohdistunut putoamisenesto tai törmäysvoima, on välittömästi poistettava käytöstä ja kaikki komponentit on tarkastettava pätevän henkilön toimesta ennen järjestelmän käytön jatkamista.
  - Älä kytkeydy järjestelmään, kun sitä asennetaan.
  - Varmista, että järjestelmällä on asianmukainen luokitus kyseiselle yhtäaikaisten käyttäjien määrälle.
  - Kun kaapelin pakkausta avataan, se voi äkillisesti purkautua kelalta. Noudata oikeuta turvatoimia ja asianmukaisia henkilösuojaimia, kun kaapelia avataan pakkauksesta.
  - Käytä vain hyväksytyjä liittimiä valjaiden liittämiseksi järjestelmään. Älä käytä mitään ylimääräisiä liitoslaitteita.
  - Käytä vain tuoteohjeissa määritettyä ja hyväksyttyä vaijeria.
  - Älä peukaloi sukkula-/holkkilaitteen lukitusmekanismia. Käytä laitetta vain järjestelmään liittämiseksi ja siitä irrottamiseksi.
  - Käytä aina kolmea kontaktipistettä kiipeillessä. Katso lisätietoja oikeasta kiipeilytekniikasta tuoteohjeista.
  - Varmista, että muiden valmistajien komponenteista kootut putoamisenestojärjestelmät/alijärjestelmät ovat yhteensopivia ja täyttävät asianomaisten standardien vaatimukset, mukaan lukien ANSI Z359, tai muut sovellettavat putoamisenestokoodit, -standardit tai -vaatimukset. Käännä aina pätevän ja/tai päteväidyn henkilön puoleen ennen näiden järjestelmien käyttöä.
- **Korkealla työskentelyyn liittyviä, mahdollisesti vakavan loukkaantumisen tai kuoleman aiheuttavia riskejä voidaan vähentää seuraavin tavoin:**
  - Varmista, että terveydentilasi ja fyysinen kuntosi on tarpeeksi hyvä, jotta pystyt kestäämään kaikki korkealla työskentelyyn liittyvät voimat. Keskustele lääkärisi kanssa, mikäli sinulla on kysyttävää näiden laitteiden käyttöön liittyvistä valmiuksistasi.
  - Älä koskaan ylitä putoamisenestolaitteiden sallittua kapasiteettia.
  - Älä koskaan ylitä putoamisenestolaitteiden vapaan pudotuksen enimmäisetäisyyttä.
  - Älä käytä putoamisenestolaitteita, jotka eivät läpäise ennen käyttöä tehtäviä tai muita suunniteltuja tarkastuksia tai jos olet huolissasi laitteiden käytöstä tai sopivuudesta käyttötarkoitukseen. Jos sinulla on kysyttävää, ota yhteyttä 3M:n tekniseen palveluun.
  - Jotkin alajärjestelmä- ja osayhdistelmät saattavat häiritä tämän varusteen toimintaa. Käytä vain yhteensopivia liitäntöjä. Ota yhteyttä 3M:ään ennen tämän laitteen käyttöä yhdessä sellaisten osien tai alajärjestelmien kanssa, joita ei kuvata tässä käyttöohjeessa.
  - Ota käyttöön ylimääräiset varotoimenpiteet, kun työskentelet liikkuvien laitteiden (esim. öljynporaustornien koneistot), sähkövaarojen, korkeiden lämpötilojen, kemiallisten vaarojen, räjähtävien tai myrkyllisten kaasujen tai terävien reunojen läheisyydessä tai yläpuolellasi sijaitsevien materiaalien lähellä, jotka voivat pudota päällesi tai putoamisenestolaitteen päälle.
  - Käytä valokaari- tai kuumatyökaluitteita, kun työskentelet erittäin kuumissa ympäristöissä.
  - Vältä pintoja ja esineitä, jotka voivat vahingoittaa käyttäjää tai laitteita.
  - Varmista, että korkealla työskennellessä käytössä on riittävä putoamiskorkeus.
  - Älä koskaan muokkaa tai muuta putoamisenestolaitetta. Vain 3M tai sen kirjallisesti valtuuttamat tahot saavat tehdä korjauksia tähän laitteeseen.
  - Ennen putoamisenestolaitteiden käyttöä varmista, että käytössä on pelastussuunnitelma, jonka avulla voidaan toteuttaa nopea pelastus putoamistapaturman tapahtuessa.
  - Jos putoamistapaus tapahtuu, hae välittömästi lääkinnällistä apua pudonneelle työntekijälle.
  - Älä käytä vartalovyötä putoamisenestosovelluksissa. Käytä ainoastaan kokovartalovaljaita.
  - Minimoi heilahtavan putoamisen mahdollisuus työskentelemällä mahdollisimman suoraan ankkurointipisteen alla.
  - Mikäli laitteella harjoitellaan, on käytettävä toissijaista putoamisenestojärjestelmää tavalla, joka ei altista koulutettavaa henkilöä tahattomalle putoamiselle.
  - Käytä aina asianmukaisia henkilösuojaimia, kun asennat, käytät tai tarkastat laitetta/järjestelmää.

Merkitse ennen tämän tuotteen asennusta ja käyttöä tuotteen tunnistustiedot sen tunnusmerkinnästä tämän käyttöoppaan takana olevaan tarkastus- ja kunnossapitolokiin (taulukko 2).

Varmista aina, että käyttämäsi opas on 3M-käyttöoppaan viimeisin versio. Päivitetyt käyttöoppaan saa 3M-verkkosivustosta tai ottamalla yhteyden 3M:n teknisiin palveluihin.

## TUOTEKUVAUS:

Kuvassa 1 esitetään 3M™ DBI-SALA® Lad-Saf™ -tikasturvajärjestelmä. Lad-Saf-tikasturvajärjestelmä on tarkoitettu suojaamaan työntekijää putoamistapauksessa kiivettäessä kiinteitä tikkaita tai samankaltaista kiipeämisrakennetta pitkin. Lad-Saf-järjestelmä koostuu yläkannattimesta, vaijerista, vaijerisuojuksesta, vaijeriohjaimesta, järjestelmämerkinnästä ja alakannakkeesta. Yläkannatin (A) kiinnitetään tikkaiden yläosaan, ja se kiinnittää vaijerin (B) yhdessä alakannakkeen (F) kanssa, joka kiinnitetään tikkaiden alaosaan. Vaijerisuojuus (C) liikkuu ylös- ja alaspäin vaijeria pitkin käyttäjän mukana ja kiinnittyy käyttäjän valjaiden etuosan D-renkaaseen. Vaijeriohjain (D) varmistaa, että vaijeri pysyy paikallaan. Järjestelmämerkinnässä (E) on tärkeitä turvallisuustietoja. Se tulee sijoittaa järjestelmään tai järjestelmän lähelle. Järjestelmämerkintä on merkitty kirjaimella "E" kuvassa 10.

Kuva 2 havainnollistaa Lad-Saf X3 -vaijerisuojuksen osia. Vaijerisuojuus koostuu ylärullasta, kääntyvästä jatkeesta, kahvasta, suojuksen rungosta, lukitusvivusta, alarullasta, karbiinihaasta ja lukitusvivusta. Ylärulla (A) kiinnittää vaijerisuojuksen vaijeriin yhdessä alarullan (F) kanssa. Kääntyvä jatke (B) ja kahva (C) avautuvat mahdollistaen vaijerisuojuksen asettamisen vaijeriin. Suojuksen runko (D) muodostaa vaijerisuojuksen päärakenteen. Lukitusvipu (E) lukitsee vaijerisuojuksen ja estää laitteen tahattoman avautumisen. Lukitusvipu (H) pitää vaijerisuojuksen paikallaan, kun vipu on lukittuna. Karbiinihaka (G) kiinnittyy käyttäjän valjaiden etuosan D-renkaaseen.

Näet pystysuuntaisen Lad-Saf X3 -vaijerisuojuksen ja -järjestelmän osien tekniset tiedot taulukosta 1.

**Taulukko 1 – Tekniset tiedot**

Järjestelmän tekniset tiedot:					
<b>Järjestelmän asennus:</b>	<b>Asennusohjeet</b>		<b>Järjestelmätyyppi</b>	<b>Järjestelmän kuvaus</b>	
	5908282		Pystysuuntainen	Taipuisalla vaijerilla varustettu Lad-Saf-turvajärjestelmä	
	5903435		Pystysuuntainen	Taipuisalla vaijerilla sekä kiertyvällä D-renkaalla varustettu Lad-Saf-turvajärjestelmä	
<b>Lad-Saf-vaijerisuojuus:</b>	<b>Tuotenumero</b>	<b>Aktivointivoima</b>	<b>Enimmäispituus</b>	<b>Vähimmäismurtolujuus</b>	<b>Paino</b>
	6160054	2,0 kN (450 lbf)	102 mm (4,0 tuumaa)	16 kN (3 600 lbf)	1,0 kg (2,1 lb)
<b>Enimmäiskantavuus:</b>	Kunkin käyttäjän kokonaispainon (mukaan lukien vaatteet, työkalut jne.) on oltava 40–140 kg. Enintään neljä käyttäjää voi käyttää Lad-Saf-järjestelmää samanaikaisesti, mutta kuhunkin pystysuuntaiseen Lad-Saf X3 -vaijerisuojukseen voi kiinnittää vain yhden käyttäjän. Jos käyttäjiä on enemmän, tulee käyttää ylimääräisiä vaijerisuojuksia.				
<b>Kiinnitysvaatimukset:</b>	<b>Käyttäjien lukumäärä</b>		<b>Kiinnityspisteen vahvuus</b>		
	1		12 kN (2 700 lbf)		<b>Käyttäjien lukumäärä</b>
	2		14,8 kN (3 320 lbf)		3
					4
					<b>Kiinnityspisteen vahvuus</b>
					17,5 kN (3 940 lbf)
					20,3 kN (4 560 lbf)
<b>Käyttölämpötila:</b>	-40...+60 °C (-40...+140 °F)				
<b>Standardit:</b>	Pystysuuntainen Lad-Saf X3 -vaijerisuojuus ja -järjestelmä on testattu näiden käyttöohjeiden etukannessa ilmaistujen standardien mukaisesti.				
<b>Vaijerin tekniset tiedot:</b>	Lad-Saf X3 -vaijerisuojuusta voidaan käyttää vain halkaisijaltaan 9,5 mm:n yksisäikeisen vaijerin kanssa. Käyttö muunlaisen vaijerin kanssa on kiellettyä, ja se voi johtaa vakavaan loukkaantumiseen tai kuolemaan.				
	<b>Tuotenumero</b>	<b>Kuvaus</b>	<b>Materiaali</b>	<b>Vähimmäismurtolujuus</b>	<b>Paino</b>
	6104XXX / CE 6134XXX	9,5 mm (3/8 tuumaa), 1 x 7	Galvanoitu teräs	15 400 lbf (68,4 kN)	0,27 lb. / ft. (0,41 kg/m)
	6105XXX / CE 6135XXX	9,5 mm (3/8 tuumaa), 1 x 7	Ruostumaton teräs	18 000 lbf (80 kN)	0,27 lb. / ft. (0,41 kg/m)
	6106XXX / CE 6136XXX	9,5 mm (3/8 tuumaa), 7 x 19	Galvanoitu teräs	14 400 lbf (64 kN)	0,27 lb. / ft. (0,41 kg/m)
	6107XXX / CE 6137XXX	9,5 mm (3/8 tuumaa), 7 x 19	Ruostumaton teräs	12 000 lbf (53,3 kN)	0,27 lb. / ft. (0,41 kg/m)

## Taulukko 1 – Tekniset tiedot

### Osat:

#### Lad-Saf-tikasturvajärjestelmä:

Kuva 1, viite	Osa	Materiaalit
(A)	Yläkannatin	Galvanoitu teräs tai ruostumaton teräs
(B)	Vaijeri	Galvanoitu teräs tai ruostumaton teräs
(C)	Vaijerisuojaus	Ruostumaton teräs
(D)	Vaijeriohjain	Ureetaani
(E)	Järjestelmämerkintä	Ruostumaton teräs
(F)	Alakannake	Galvanoitu teräs tai ruostumaton teräs

#### Lad-Saf-vaijerisuojaus:

Kuva 2, viite	Osa	Materiaalit
(A)	Ylärulla	Nailon
(B)	Kääntyvä jatke	Ruostumaton teräs
(C)	Kahva	Ruostumaton teräs
(D)	Suojuksen runko	Ruostumaton teräs
(E)	Lukitusvipu	Ruostumaton teräs
(F)	Alarulla	Nailon
(G)	Karbiinihaka	Sinkitetty teräs
(H)	Lukitusvipu	Ruostumaton teräs



## 1.0 TUOTTEEN KÄYTTÖKOHDDE

**1.1 TARKOITUS:** Lad-Saf™-tikasturvajärjestelmä on osa henkilökohtaista putoamissuojausjärjestelmää. Kun Lad-Saf-tikasturvajärjestelmää käytetään yhdessä irrotettavan Lad-Saf™-vaijerisuojausjärjestelmän kanssa, sen tarkoitus on suojata työntekijää putoamistilanteissa hänen kiivetessään kiinteillä tikkailla tai samankaltaisissa nousurakenteissa.

**Vain putoamisen pysäyttäminen:** Älä käytä Lad-Saf-tikasturvajärjestelmää muuhun tarkoitukseen kuin putoamisen estämiseen.

- 1.2 STANDARDIT:** Tikasturvajärjestelmä täyttää ne kansalliset ja alueelliset standardit, jotka on merkitty näiden ohjeiden etukanteen. Jos tätä tuotetta jälleenmyydään alkuperäisen kohdemaan ulkopuolella, jälleenmyyjän on toimitettava nämä ohjeet tuotteen käyttömaan kielellä.
- 1.3 VALVONTA:** Pätevän henkilön tulee valvoa Lad-Saf-tikasturvajärjestelmän käyttöä<sup>1</sup>. Pätevytyneen henkilön tulee valvoa Lad-Saf-tikasturvajärjestelmän asennusta<sup>2</sup>.
- 1.4 KOULUTUS:** Lad-Saf-tikasturvajärjestelmän asentajilla ja käyttäjillä tulee olla koulutus niiden oikeanlaista käyttöä varten. Tämä käyttöohje on tarkoitettu käytettäväksi osana kansallisten, alueellisten tai paikallisten standardien mukaista työntekijöiden koulutusohjelmaa. Varusteen asentajien vastuulla on perehtyä näihin ohjeisiin, hankkia koulutusta varusteen asianmukaisissa käyttö- ja huoltotavoissa sekä tuntee varusteen käyttöominaisuudet, käytön rajoitukset ja vääränlaisen käytön aiheuttamat seuraukset.
- 1.5 PELASTUSSUUNNITELMA:** Työnantajalla on laitetta ja siihen liitetyjä lisäjärjestelmiä käytettäessä oltava pelastussuunnitelma ja valmiudet sekä suunnitelman toteuttamiseen että siitä tiedottamiseen laitteen käyttäjille, valtuutetuille henkilöille<sup>3</sup> ja pelastushenkilöille<sup>4</sup>. Koulutettua, paikan päällä olevaa pelastushenkilöstöä suositellaan. Pelastushenkilöstön jäsenillä tulisi olla hallussaan onnistuneeseen pelastamiseen tarvittavat laitteet ja tekniikka. Pelastushenkilöstön riittävä määrä tulee varmistaa antamalla koulutusta säännöllisin väliajoin.
- 1.6 TARKASTUSVÄLI:** Käyttäjän tulee tarkastaa tikasturvajärjestelmä ennen jokaista käyttökertaa. Tämän lisäksi jonkun toisen pätevän henkilön (muu kuin käyttäjä itse) tulee tarkastaa se vähintään vuoden välein.<sup>5</sup> Tarkastustoimet on kuvattu kohdassa *Tarkastus- ja kunnossapitoloki*. Kaikkien pätevän henkilön suorittamien tarkastusten tulokset tulee tallentaa tämän käyttöoppaan lopusta löytyvään *Tarkastus- ja kunnossapitolokiin*.
- 1.7 PUTOAMISEN JÄLKEEN:** Mikäli Lad-Saf-järjestelmään on kohdistunut putoamisen pysäyttämisen aiheuttamaa voimaa, se tulee poistaa käytöstä välittömästi ja merkitä selkeästi "EI SAA KÄYTTÄÄ". Lad-Saf-vaijerisuojaus ja -järjestelmä on tämän jälkeen hävitettävä tai lähetettävä edelleen 3M:lle vaihdettavaksi.

## 2.0 JÄRJESTELMÄVAATIMUKSET

- 2.1 KIINNITYS:** Kiinnitysvaatimukset vaihtelevat käytettävän putoamissuojaimen mukaan. Rakenteen, johon tikasturvajärjestelmä sijoitetaan tai kiinnitetään, tulee vastata taulukossa 1 esitettyjä kiinnitysvaatimuksia.
- 2.2 VAARATEKIJÄT:** Näiden varusteiden käyttö vaarallisissa ympäristöissä voi vaatia ylimääräisiä turvajärjestelyjä, jotta estettäisiin käyttäjän vammautuminen ja varusteiden vahingoittuminen. Vaaratekijöihin kuuluvat muun muassa seuraavat: kuumuus, kemikaalit, syövyttävät ympäristöt, korkeajännitelinjat, räjähtävät tai myrkylliset kaasut, liikkuvat koneet, terävät reunat tai korkealla olevat, mahdollisesti putoavat ja käyttäjään tai putoamisenestojärjestelmään osuvat materiaalit.
- 2.3 KIIPEÄMISEN APUJÄRJESTELMÄN YHTEENSOPIVUUS:** Älä käytä mekaanista kiipeämisen apujärjestelmää 3M:n nousutikkaiden putoamissuojausjärjestelmän kanssa, mukaan lukien pystysuuntainen Lad-Saf-turvaköysijärjestelmä tai irrotettavat Lad-Saf X2-, X3- tai X3+ -vaijerisuojausjärjestelmät, ellei 3M ole tarkistanut apujärjestelmää ja todennut sitä yhteensopivaksi 3M:n putoamissuojausjärjestelmän kanssa. Tämän varoituksen huomioimatta jättämisen seurauksena käyttäjän putoamisen pysäyttäminen ei ehkä onnistu turvallisesti käytettäessä yhteensopimattomia putoamissuojaus- ja apujärjestelmiä. Jos sinulla on kysyttävää, ota yhteyttä 3M:n tekniseen palveluun osoitteessa 3MFallProtectionTech@mmm.com.

**3M:n pystysuuntaisten järjestelmien kanssa yhteensopimattomien kiipeämisen apujärjestelmien käyttö voi johtaa vakavaan loukkaantumiseen tai kuolemaan.**

- 2.4 KOMPONENTTIEN YHTEENSOPIVUUS:** 3M-laitteet on tarkoitettu käytettäväksi 3M:n hyväksymien osien ja alajärjestelmien kanssa. Osien vaihtaminen ja korvaaminen muihin kuin hyväksytyihin osiin ja alajärjestelmiin voi vaarantaa laitteiston yhteensopivuuden sekä vaikuttaa koko järjestelmän turvallisuuteen ja luotettavuuteen.
- 2.5 LIITTIMIEN YHTEENSOPIVUUS:** Liittimiä pidetään yhteensopivina liitettävien osien kanssa, kun ne on suunniteltu toimimaan yhdessä siten, että niiden koko ja muoto eivät aiheuta lukkomekanismien tahatonta aukeamista riippumatta niiden asennosta. Ota yhteyttä 3M:ään, jos sinulla on kysyttävää yhteensopivuudesta.
- Liittimien (haat, karbiinit, D-renkaat) tulee kestää ainakin 22,2 kN:n kuorma. Liittimien tulee olla yhteensopivia kiinnityslaitteen ja muiden järjestelmän osien kanssa. Älä käytä yhteensopimattomia varusteita. Yhteensopimattomat liittimet saattavat irrota vahingossa (katso kuva 4). Liittimien on oltava kooltaan, muodoltaan ja vahvuudeltaan yhteensopivia. Jos se osa, johon jousihaka tai karbiinihaka kiinnitetään, on liian pieni tai epäsäännöllisen muotoinen, on mahdollista, että kiinnitetty osa kohdistaa voimaa jousihaan tai karbiinihaan kitaan (A). Tämä voima saattaa aiheuttaa kidan avautumisen (B) ja päästää jousihaan tai karbiinihaan irtoamaan kiinnityspisteestä (C).

ANSI Z359 ja OSHA edellyttävät itselukittuvia jousihakoja ja karbiinihakoja.

- 1 Pätevä henkilö:** Henkilö, joka pystyy tunnistamaan olemassa olevat ja ennustettavat vaaratekijät ympäristössä tai riskialttiit, epähygieeniset tai työntekijöille vaaralliset työolosuhteet ja jolla on valtuudet ryhtyä toimiin niiden poistamiseksi.
- 2 Pätevytyneet henkilöt:** Henkilö, jolla on hyväksytyt tutkinto, sertifiikaatti tai ammatilliset edellytykset tai joka on laajan tietämyksen, koulutuksen ja kokemuksen kautta osoittanut kykynsä ratkaista tai korjata putoamissuojaukseen ja pelastusjärjestelmiin liittyviä ongelmia OSHA:n tai muun asianmukaisen kansallisen, alueellisen tai paikallisen viranomaisen edellyttämällä tasolla.
- 3 Valtuutettu henkilö:** Työnantajan määräämä henkilö, joka suorittaa tehtäviä sellaisessa paikassa, jossa henkilö altistuu putoamisvaaralle.
- 4 Pelastushenkilö:** Muu kuin pelastettava henkilö tai pelastettava henkilöt, joka avustaa pelastustyössä käyttäen pelastusjärjestelmää.
- 5 Tarkastusväli:** Äärimmäiset työolosuhteet (vaativat ympäristöt, pitkäaikainen käyttö jne.) saattavat edellyttää tarkastusten suorittamista pätevän henkilön toimesta useammin.

**2.6 LIITÄNTÖJEN TEKO:** Näiden varusteiden kanssa käytettävien jousihakojen ja karbiinihakojen tulee olla itselukittuvia. Varmista, että kaikki liittimet ovat yhteensopivia kooltaan, muodoltaan ja lujuudeltaan. Älä käytä yhteensopimattomia varusteita. Varmista, että kaikki liittimet ovat täysin suljettuja ja lukittuja.

3M-liittimet (jousihaat ja karbiinihaat) on suunniteltu käytettäväksi vain kyseisten tuotteiden käyttöohjeissa kuvatulla tavalla. Kuvassa 5 näet esimerkkejä vääristä liitännöistä. Jousihakoja tai karbiinihakoja ei saa kiinnittää

- A. D-renkaaseen, johon on kiinnitetty toinen liitin
- B. niin, että lukitusosaan kohdistuu kuorma. Isokitaisia jousihakoja ei tule kiinnittää vakiokoon D-renkasiin tai vastaaviin osiin, jotka aiheuttavat kidan kuormittumista, jos haka tai D-rengas kääntyy tai pyörii, ellei jousihaassa ole 16 kN:n kita. Tarkista jousihaassa oleva merkintä varmistaaksesi, että se sopii käyttötarkoitukseesi.
- C. virheelliseen kiinnitykseen, jossa säppihaan tai karabiinin ulospäin tyäntyvät osat tarttuvat ankkuriin, ja joka näyttää täysin kiinnitettyltä ankkuripisteeseen, jollei sitä tarkasteta silmämääräisesti
- D. toisiinsa
- E. suoraan punokseen tai köyteen tai ympärysköyteen (ellei sekä köyden että liittimen valmistajan ohjeissa nimenomaan sallita tällaista liitosta)
- F. mihinkään esineeseen, joka on muodoltaan tai kooltaan sellainen, että säppihaka tai karabiini ei sulkeudu ja lukitu tai että haka voi tippua pois
- G. siten, että liitin ei kuormitettuna pysty asettumaan oikein.

### 3.0 ASENNUS

Saat lisätietoja Lad-Saf-järjestelmän asennusmenetelmistä katsomalla tuotteen asennusohjeet. Saat lisätietoja kohdasta IFU 5908282 tai IFU 5903435.

**3.1 SUUNNITTELU:** Tee Lad-Saf-tikasturvajärjestelmän käyttösuunnitelma ennen työn aloittamista. Ota huomioon kaikki tekijät, jotka voivat vaikuttaa turvallisuuteen ennen putoamista, sen aikana ja sen jälkeen. Kaikki osiossa 2 ja taulukossa 1 luetellut vaatimukset, rajoitukset ja tekniset tiedot tulee ottaa huomioon.

- Varmista, että järjestelmä on luokiteltu vaaditulle määrälle käyttäjiä.
- Järjestelmän liittämiseen ja irrottamiseen liittyy vaaratekijöitä. Käytä toissijaista putoamisenpysäytysuojaa. Varmista, että riittävä määrä ankkurointipisteitä, laskeutumistasoja tai muita keinoja on käytettävissä kytkentä- ja irrotuspisteissä sallimaan turvallinen siirtyminen järjestelmään ja siitä pois.
- Käyttäjän jalkojen ja alla olevan pinnan välillä on oltava vähintään 2,0 m (7,0 jalkaa) vapaata tilaa putoamiseen. Käyttäjää ei välttämättä ole suojattu maahan osumisen tai laskeutumien varalta ensimmäisten 2,0 metrin nousun tai viimeisen 2,0 metrin laskeutumisen aikana. Käytä oikeanlaisia kiipeämismenetelmiä (esim. pidä aina kolme kontaktipistettä käsillä ja jaloilla) noustessasi tai laskeutuessasi missä tahansa tikkaiden kohdassa, jota ei ole suojattu Lad-Saf™ -järjestelmällä.
- Noudata kiivetessäsi asianmukaisia turvallisuustoimenpiteitä. Älä kannata työkaluja tai laitteita käsin. Pidä kädet vapaana kiipeämistä varten. Kiinnitä kannettavat esineet hyvin estääksesi niiden putoamisen alla olevien kiipeäjin päälle. Kiipeä vain kykyjesi mukaan. Pitkät kiipeämismatkat voivat vaatia useita lepoetkiä kiipeämisen tai laskeutumisen aikana väsymisen välttämiseksi. Käytä asianmukaisia työtekijää tukevia varusteita lepotaukojen aikana. **Älä** kiipeä kovassa tuulessa tai huonolla säällä.
- Varmista, että vain yksi käyttäjä kiipeää vaijeriohjainten välissä.

**3.2 VAIJERISUOJUKSEN KIINNITTÄMINEN KANNATINVAIJERIIN:** Pystysuuntainen Lad-Saf X3 -vaijerisuojaus on kiinnitettävä käytettävään 3M Lad-Saf -tikasturvajärjestelmään. Katso mallia kuvasta 7. Lad-Saf X3 -vaijerisuojaus kiinnittäminen Lad-Saf-järjestelmän kannatinvaijeriin:

1. **Aseta suojuksen siten, että sen ylöspäin-nuoli (I) osoittaa noususuuntaan päin.**
2. **Käännä lukitusvipu (E) lukitsemattomaan asentoon.** Kuvassa 3 esitetään lukittu (A) ja lukitsematon (B) lukitusvipun asento. Irrotettavan vaijerisuojaus molemmilla puolilla on lukitusvipu, jotta sitä voidaan käyttää sekä vasemmalla että oikealla kädellä.
3. **Vedä kääntyvä jatke (B) kauimmaiseen asentonsa.** Kun kääntyvä jatke on kauimmaisessa asennossaan, lukitusvipu (E) voidaan vapauttaa. Lukitusvipu (H) on täysin ulkona.
4. **Käännä kahva (C) täysin pystysuoraan asentoon.** Lukitusvipu putoaa nyt pois tieltä, ja vaijeriin voidaan asentaa suojuksen.
5. **Pidä suojusta pystysuorassa asennossa ja pujota vaijeri (J) suojuksen kyljessä olevan aukon läpi ylöspäin nostavin liikkein.** Aseta vaijeri suojuksen syvennykseen. Vapauta kahva (C), kääntyvä jatke (B) ja lukitusvipu (E) lukitaksesi vaijerin suojuksen. **Varmista, että lukitusvipu (E) on lukitussa asennossa ennen käyttöä.**

**3.3 VAIJERISUOJUKSEN KIINNITTÄMINEN VALJAISIIN:** Vaijerisuojaus ja kokovartalovaljaiden välinen kytkentä voidaan tehdä joko ennen vaijerisuojaus asennusta Lad-Saf-järjestelmään tai sen jälkeen. Toissijaisen putoamisenestojärjestelmän käyttöä suositellaan, kun tehdään kytkentä Lad-Saf-järjestelmään tai kun kytkentä irrotetaan. Suojuksen käsittely nousemisen tai laskeutumisen aikana asettaa käyttäjän alttiiksi putoamisvaaralle. Lad-Saf-järjestelmän kulma saa olla korkeintaan 15° pystysuorasta kaikissa käyttötilanteissa.

Älä käytä muita liitoslaitteita tai yhdistä laitteita (esim. turvahihnaa) vaijerisuojaus mukana toimitetulla liittimellä. Vaijerisuojaus mukana toimitettua karbiinihahkaliitintä tulee käyttää aina käytön aikana. Älä korvaa muilla liittimillä.

- **NOUSEMINEN:** Nouse telineitä pitkin säilyttäen aina kolme kontaktipistettä (käsillä ja jaloilla). Irrotettava Lad-Saf X3 -vaijerisuojaus seuraa nousijaa. Kannatinvaijeri nykäistään irti vaijeriohjaimesta ohjainten tullessa kohdakkain. **Älä käsittele suojusta tai irrota sitä kannatinvaijerista ohjatessasi vaijeriohjaimia tai jos suojuksen lukittuu.**
- **LASKEUTUMINEN:** Laskeutumisen järjestelmää pitkin tulee tapahtua tasaisesti säilyttäen aina kolme kontaktipistettä (käsillä ja jaloilla). Irrotettavan Lad-Saf X3 -vaijerisuojaus tulee antaa "johtaa" laskeutuva henkilö alas. Laskeutuminen väärässä asennossa (esim. nojautuen liiaksi taaksepäin tai epävakaa) voi saada suojuksen lukittumaan kannatinvaijeriin. Mikäli suojuksen lukittuu, se voidaan avata kiipeämällä hieman ylöspäin. Laskeutumista voidaan sen jälkeen jatkaa. Kytke kannatinvaijeri seuraavaan vaijeriohjaimeen aina kunkin vaijeriohjaimen ohituksen jälkeen. **Älä käsittele suojusta tai irrota sitä kannatinvaijerista ohjatessasi vaijeriohjaimia tai jos suojuksen lukittuu.**
- **IRROTUS:** Kun kiipeäminen on suoritettu, irrota vaijerisuojaus järjestelmästä. Katso osaviittaukset kuvasta 2.
  1. Irrota suojuksen vaijerista kiertämällä lukitusvipua (E).
  2. Vedä jatketta (B) ja käännä kahva (C) täysin pystysuoraan asentoon.
  3. Irrota suojuksen sen jälkeen vaijerista ja laita säilöön.

### 4.0 KÄYTTÖ

**4.1 ENNEN JOKAISTA KÄYTTÖKERTAA:** Varmista, että työskentelyalue ja putoamissuojausjärjestelmä täyttävät kaikki osiossa 2 esitetyt vaatimukset ja että virallinen pelastussuunnitelma on laadittu. Lad-Saf-järjestelmä tulee tarkistaa "tarkastus- ja kunnossapitolokissa" (taulukko 2) lueteltujen käyttäjän tarkastuspisteiden mukaisesti. Jos järjestelmä todetaan tarkastuksessa turvallisuudelle vaaralliseksi tai vialliseksi, sitä ei saa käyttää. Poista järjestelmä käytöstä välittömästi ja merkitse selkeästi "EI SAA KÄYTTÄÄ". Pystysuuntainen Lad-Saf-vaijerisuojaus ja -järjestelmä on tämän jälkeen hävitettävä tai lähetettävä edelleen 3M:lle vaihdettavaksi.

- 4.2 JÄRJESTELMÄN LIITÄNNÄT:** Lad-Saf-järjestelmää tulee käyttää kokovartalovaljaiden kanssa. Kokovartalovaljaat standardien ANSI 2359.11, CSA Z259.10, EN 361 tai muiden sovellettavien kansallisten, alueellisten tai paikallisten standardien mukaan. Katso kokovartalovaljaiden asianmukainen kiinnitys valmistajan ohjeista. Yhdistä kokovartalovaljaisiin liittämällä Lad-Saf-järjestelmän karbiinihaka kokovartalovaljaiden etuosan D-renkaaseen (A). Käyttö kokovartalovaljaiden muun liittimen tai D-renkaan kanssa on kiellettyä.

Standardien OSHA 1910.29 ja OSHA 1926.1053 mukaan kannattimen ja kiinnityskohdan välinen liitännäspituus ei saa ylittää 23 senttimetriä.

## 5.0 TARKASTUS

- 5.1 TARKASTUSVÄLI:** Lad-Saf-järjestelmä tulee tarkastaa kohdassa 1 annettujen tarkastusvälien mukaisesti. Tarkastustoimet on kuvattu kappaleessa "Tarkastus- ja kunnossapitoloki" (taulukko 2). Kaikki muut putoamissuojajärjestelmän osat tulee tarkastaa valmistajan ohjeissa ilmoitettujen tarkastusvälien ja käytäntöjen mukaan.
- 5.2 VIAT:** Jos järjestelmä todetaan tarkastuksessa turvallisuudelle vaaralliseksi tai vialliseksi tai jos järjestelmän kuntoon liittyen on epävarmuutta, poista Lad-Saf-järjestelmä käytöstä välittömästi ja merkitse selkeästi "EI SAA KÄYTTÄÄ". Pystysuuntainen Lad-Saf-vaijerisuojaus ja -järjestelmä on tämän jälkeen hävitettävä tai lähetettävä edelleen 3M:lle vaihdettavaksi. Järjestelmää ei saa yrittää korjata itse.
- 5.3 TUOTTEEN KÄYTTÖIKÄ:** Lad-Saf-järjestelmän toiminnallinen ikä määräytyy käyttöolosuhteiden ja huollon mukaan. Tuotetta voidaan käyttää niin kauan kuin se läpäisee tarkastuskriteerit.

## 6.0 HUOLTO, KUNNOSSAPITO JA SÄILYTYS

- 6.1 JÄRJESTELMÄN PUHDISTUS:** Katso tarkastukseen liittyvät huoltokysymykset osasta 5.0. Jos kannatinvaijeriin kerrostuu runsaasti öljyä, rasvaa, maalia tai muita aineita, puhdista se lämpimällä saippuavedellä. Pyyhi vaijeri puhtaalla ja kuivalla kankaalla. Älä kuivaa kuumentamalla. Älä käytä happeja tai muita syövyttäviä kemikaaleja, jotka voivat vahingoittaa kaapelia.

Valtuutetun huoltokeskuksen tulee suorittaa muut kunnossapito- ja huoltotoimenpiteet. Valtuutus tulee antaa kirjallisena.

- 6.2 VAIJERISUOJUKSEN PUHDISTUS:** Likaantunut pystysuuntainen Lad-Saf X3 -vaijerisuojaus voidaan puhdistaa seuraavalla tavalla:
1. Sekoita neljä osaa lämmintä vettä yhteen osaan mietoa puhdistusliuosta (esim. Simple Green tai vastaava liuos).
  2. Upota vaijerisuojaus liuokseen ja anna koko suojuksen liota seoksessa 2–3 tuntia.
  3. Poista vaijerisuojaus liuoksesta ja huuhtelee lämpimällä vedellä vähintään 1 minuutin ajan. Muista puhdistaa ylimääräiset likakertymät.
  4. Ilmakuivaa vaijeria 24 tunnin ajan ennen käyttöä. Paineilmajähdytyksen käyttö on hyväksyttyä.
  5. Katso mallia kuvasta 2. Käytä pientä määrää voiteluainetta nivelkohtiin (E) tai jatkeen pohjaan (B).
  6. Suorita tarkastus ennen käyttöä kohdan 5.3 mukaan. Varmista, ettei sisällä ole roskia, jotka voivat vaikuttaa vaijerisuojuksen toimintaan.
- 6.3 SÄILYTYS JA KULJETUS:** Pystysuuntainen Lad-Saf X3 -vaijerisuojaus tulee säilyttää viileässä, kuivassa ja puhtaassa paikassa suojattuna suoralta auringonvalolta. Vältä paikkoja, joissa on kemikaalihöyryjä. Tarkasta suojuksen huolellisesti pitkän säilytysajan jälkeen.
- Kuljeta Lad-Saf-vaijerisuojusta kotelossa, suojassa viilloilta, kosteudelta ja ultravioletivalolta. Vältä syövyttäviä, ylikuumia tai jäätäviä olosuhteita.
- 6.4 HUOLTO:** Vain 3M tai 3M:n kirjallisesti valtuuttamat tahot saavat tehdä korjauksia tähän laitteeseen. Mikäli pystysuuntaiseen Lad-Saf-vaijerisuojuksen ja -järjestelmään on kohdistunut putoamisvoimaa tai tarkastuksessa käy ilmi, että se on vaarallinen tai viallinen, se tulee poistaa käytöstä välittömästi ja merkitä selkeästi "EI SAA KÄYTTÄÄ". Pystysuuntainen Lad-Saf-vaijerisuojaus ja -järjestelmä on tämän jälkeen hävitettävä tai lähetettävä edelleen 3M:lle vaihdettavaksi.

## 7.0 RFID-MERKINTÄ

- 7.1 PAIKKA:** Näissä käyttöohjeissa kuvattu 3M-tuote sisältää RFID-radiotaajuustunnistusmerkinnän. RFID-merkintöjen avulla tuotteen tarkastustulokset voidaan tallentaa lukemalla ne RFID-merkintöjen skannerilla. Tarkista kuvasta 8, missä RFID-merkintä sijaitsee.
- 7.2 HÄVITTÄMINEN:** Ennen tämän tuotteen hävittämistä RFID-merkintä (radiotaajuustunniste) täytyy irrottaa ja hävittää tai kierrättää paikallisten säädösten mukaan. Lisätietoja RFID-merkinnän irrottamisesta on alla olevassa linkissä annetussa verkkosivustossa.



Tuotetta ei saa hävittää lajittelemattoman yhdyskuntajätteen mukana. Rastilla peitetyn pyörällisen jättesäiliön symboli tarkoittaa, että kaikki sähkö- ja elektroniikkalaitteet tulee hävittää paikallisia lakeja noudattaen käytettävissä olevien palautus- ja keräysjärjestelmien kautta. Lisätietoja saa ottamalla yhteyttä omaan jälleenmyyjään tai paikalliseen 3M-edustajaan.

Lisätietoja on verkkosivustollamme: <http://www.3M.com/FallProtection/RFID>



## 8.0 ETIKETIT ja MERKINNÄT

**8.1 ETIKETIT:** Kuva 9 näyttää Lad-Saf-tikasturvajärjestelmän merkintöjen sijainnit. Kuvassa 10 näytetään jokainen merkintä yksityiskohtaisesti. Merkinnät, joilla ei ole merkittävää sijaintia järjestelmässä, tulee sijoittaa lähelle Lad-Saf-järjestelmää. Merkinnöissä on seuraavat tiedot:

<b>A</b>	A) Vaijerisuojuksen mallinnumero B) Sarjanumero C) Varoituslauseke – noudata kaikkia käyttöohjeita. D) Lue kaikki käyttöohjeet. E) Vain yhdelle käyttäjälle. F) Sovellettava standardi G) Ilmoitetun laitoksen tiedot H) Käyttäjän painovaatimukset
<b>B</b>	A) Vaijerisuojuksen ”Ylös”-suunta käyttöä varten.
<b>C</b>	A) Järjestelmän vaijerin ja valjaiden kiinnityskohdan välinen etäisyys saa olla korkeintaan 23 senttimetriä. B) Älä käytä vaijerisuojusta turvahihnan kanssa. Älä muokkaa järjestelmää millään tavalla.
<b>D</b>	Tunnus/eränumero (VVKKVVTT): Ensimmäiset VV = valmistusvuoden kaksi viimeistä lukua. KK = valmistuskuukausi. Toiset VV = valmistusvuoden viikko. TT = vain 3M:n sisäiseen käyttöön.
<b>E</b>	1) Asennuspäivä 2) Asentanut 3) Kiinnitysvaatimukset 4) Käyttäjien enimmäislukumäärä järjestelmää kohti 5) Järjestelmän pituus 6) Valmistuspäivä 7) Tarkistuspäivä 8) Sarjanumero 9) Järjestelmävaroitukset 10) Vaijerin tyyppin ja suojuksen yhteensopivuusmatriisi yhdessä standardisertifikaatin kanssa. 11) RFID-tunniste (katso osa 7.0)

## Taulukko 2 – Tarkastus- ja kunnossapitoloki

Tarkastuspäivä:		Tarkistanut:	
Osa:	Tarkastus: <i>(Katso tarkastusten tiheys osasta 2)</i>	Käyttäjä	Pätevä henkilö
Vaijerisuojaus (Kuva 2)	Tarkasta kahva (C) taipumien, halkeamien ja vääntymien varalta. Kaikkien kiinnikkeiden on kiinnityttävä tukevasti. Kahvan ja vaijerikengän on liikuttava esteettä ja pehmeästi. Jousten toimittava varmallalla tavalla ja oltava riittävän voimakkaita kahvan alavettoa varten. Kahva toimii myös nykyksenvaimentimena ja putoamisen ilmaisimena. Kahva vääntyy, jos sitä on käytetty putoamisen estämiseen. Kuvassa 11.3 näytetään esimerkki kahvasta, jota ei ole käytetty putoamisen estämiseen (A) sekä kahvasta, jota on käytetty putoamisen estämiseen ja joka on vääntynyt (B). Mikäli kahva on vääntynyt enemmän kuin A = 12,7 mm (1/2 tuumaa), sitä ei saa käyttää. Suojus on poistettava käytöstä.	<input type="checkbox"/>	<input type="checkbox"/>
	Tarkasta lukitusvipun (E) liikkeen pehmeys ja varmista, että vipu ponnahtaa takaisin lukitusasentoon, kun se vapautetaan.	<input type="checkbox"/>	<input type="checkbox"/>
	Tarkista, onko lukitusvivussa (H) kulumista. Varmista, ettei vaijerikengä ole vaurioitunut.	<input type="checkbox"/>	<input type="checkbox"/>
	Tarkasta lukitusvipu (H) pitämällä suojusta pystysuunnassa kahvan (C) ollessa pystysuorassa asennossa ja ravistamalla suojusta ylös ja alas simuloiden putoamista. Vaijerikengän tulee kääntyä esteettä.	<input type="checkbox"/>	<input type="checkbox"/>
	Tarkasta lukitusvipu (H) asettamalla suojus vaakasuuntaan, kun kahva (C) on pystysuorassa asennossa, ja asettamalla suojus tasaisen pinnan takapuolelle siten, että Lad-Saf X3 -tarra on ylöspäin. Vaijerikengän tulee kääntyä kokonaan ylöspäin suojuksen yläosaa kohden.	<input type="checkbox"/>	<input type="checkbox"/>
	Tarkasta jatkeen (B) toiminta vetämällä sitä ja yrittämällä avata vaijeriura. Se ei saa kääntyä. Jos se kääntyy lukitusvipua (E) kääntämättä, poista suojus käytöstä.	<input type="checkbox"/>	<input type="checkbox"/>
	Tarkista koko järjestelmä ruosteen havaitsemiseksi.	<input type="checkbox"/>	<input type="checkbox"/>
Yläkannatin (Kuva 11.2)	Tarkasta oikeanlainen asennus taipuisalla vaijerilla varustettujen pystysuorien Lad-Saf™-turvajärjestelmien asennusohjeista; 3M-putoamissuojausyksikön käyttöohje 5908282 tai 5903435.	<input type="checkbox"/>	<input type="checkbox"/>
	Tarkista näkyvien vaurioiden tai syöpymien varalta. Etsi halkeamia, taipumia tai kulumista, joka voi vaikuttaa järjestelmän kestävyys- ja toimintaan. Tarkasta hitsausaumamat. Etsi haljenneita tai murtuneita hitsausaumoja, jotka voivat vaikuttaa kannattimen kestävyys- ja vaihda osat, jos niistä löytyy vikaa.	<input type="checkbox"/>	<input type="checkbox"/>
	Tarkasta löysien tai puuttuvien kiinnikkeiden varalta, jotka kiinnittyvät yläkannattimen tukirakenteeseen (pultit, puristuslevyt, U-pultit). Jos kiinnikkeet ovat löysällä, kiristä ne tarpeen vaatimalla tavalla taipuisalla vaijerilla varustetun Lad-Saf-turvajärjestelmän mukana toimitetuissa asennusohjeissa annetuille vääntömomenttitasolle.	<input type="checkbox"/>	<input type="checkbox"/>
	Tarkista, ettei päällyksessä ole vääntymiä. Välin tulee olla vähintään 5 mm (0,20 tuumaa) kohdassa A.	<input type="checkbox"/>	<input type="checkbox"/>
	Varmista, että suuri tappi (B) ja pieni tappi ovat paikallaan. Varmista, että jousikita (C) on paikoillaan.	<input type="checkbox"/>	<input type="checkbox"/>
	Tarkista, ettei yhden pisteen kiinnittimessä (D) ole murtumia tai merkkejä vaurioitumisesta. Tarkista kiinnittimen vääntömomentti. Varmista, että aluslevyssä on näkyvät merkinnät.	<input type="checkbox"/>	<input type="checkbox"/>
	Tarkasta oikeanlainen asennus taipuisalla vaijerilla varustettujen pystysuorien Lad-Saf™-turvajärjestelmien asennusohjeista; 3M-putoamissuojausyksikön käyttöohje 5908282 tai 5903435.	<input type="checkbox"/>	<input type="checkbox"/>
Alakannake (Kuva 11.1)	Etsi vaurioita ja syöpymiä. Etsi halkeamia, taipumia tai kulumista, joka voi vaikuttaa järjestelmän kestävyys- ja toimintaan. Vaihda osat, jos niistä löytyy vikaa.	<input type="checkbox"/>	<input type="checkbox"/>
	Tarkasta löysien tai puuttuvien kiinnikkeiden varalta, jotka kiinnittyvät alakannattimen tukirakenteeseen. Jos kiinnikkeet ovat löysiä, kiristä ne tarpeen mukaan taipuisalla vaijerilla varustetun Lad-Saf -turvajärjestelmän mukana toimitetuissa asennusohjeissa oleviin momenttiarvoihin.	<input type="checkbox"/>	<input type="checkbox"/>
	Tarkasta vetotankokokoonpano. Varmista, että satulakiinnike pitää vaijerin tiukasti paikoillaan. Tarkista satulakiinnikkeiden vääntömomentti – kiristä momenttiin 47 Nm. Vaihda tai kiristä ne, jos niistä löytyy vikaa.	<input type="checkbox"/>	<input type="checkbox"/>
		<input type="checkbox"/>	<input type="checkbox"/>

**Taulukko 2 – Tarkastus- ja kunnossapitoloki**

Tarkastuspäivä:		Tarkistanut:	
Osa:	Tarkastus: <i>(Katso tarkastusten tiheys osasta 2)</i>	Käyttäjä	Pätevä henkilö
Kaapeliohjaimet (Kuva 1)	Tarkista vaijeriohjaimet vaurioiden varalta. Etsi mustasta uretaanista kulumista tai vaurioita. Vaijeriohjaimien tulee rajoittaa vaijeria ja estää sitä koskettamasta tikkaita tai tukirakennetta. Vaijeriohjaimet tulee asettaa noin 6–12 m:n (20–40 jalan) päähän kannatinvaijerilla tai tarvittaessa lähemmäs. Vaihda osat, jos niistä löytyy vikaa.	<input type="checkbox"/>	<input type="checkbox"/>
	Tarkista kaapeliohjainten kiinnittimet. Kiinnittimien tulee kiinnittää vaijeriohjain paikoilleen. Kiristä tarpeen mukaan.	<input type="checkbox"/>	<input type="checkbox"/>
Vaijeri (Kuva 1)	Tarkasta vaijeri syöpymien, kiertymien tai vaurioiden varalta, jotka vaikuttavat kestävytyteen ja haittaavat vaijerisuojausten kulkua vaijerin pinnalla. Jos tikasvaijerissa on taitoksia tai kiertymiä, on pätevän henkilön tarkastettava vaijeri ennen käyttöä. Tarkasta, näkykö tikkaiden tai rakenteen aiheuttamia hankautumisjälkiä. Vaihda vaijeri, jos siitä löytyy vikaa.	<input type="checkbox"/>	<input type="checkbox"/>
	Tarkista, että jännite on oikea. Uran tulee olla pohjalevyn yläpuolelta paljas (katso ilmoitus "E", kuva 11.1). Vetotankoa ei tule pystyä vetämään alas käsin. Vaijerin on oltava riittävän tiukka, jotta se estää kosketuksen tikkaiden tai tukirakenteeseen. Jännitä vaijeri tarpeen mukaan uudelleen. Älä ylikiristä järjestelmää.	<input type="checkbox"/>	<input type="checkbox"/>
Merkinnät (Kuva 9)	Varmista, että kaikki merkinnät ovat paikoillaan ja täysin luettavissa.	<input type="checkbox"/>	<input type="checkbox"/>
Putoamisenestojärjestelmät ja muut laitteet	Kiinnitysjärjestelmän kanssa käytettävät ylimääräiset putoamisenestojärjestelmien laitteet (valjaat, itsekelautuvat laitteet jne.) tulee asentaa ja tarkastaa valmistajan ohjeiden mukaan.	<input type="checkbox"/>	<input type="checkbox"/>
Rakenne	Varmista, että rakenne, johon järjestelmä on kiinnitetty, vastaa taulukon 1 lujuusvaatimuksia kaikissa mahdollisissa kuormitussuunnissa.	<input type="checkbox"/>	<input type="checkbox"/>

<b>Sarjanumero(t):</b>	<b>Ostopäivämäärä:</b>
<b>Mallinumero(t):</b>	<b>Ensimmäisen käyttökerran päivämäärä:</b>

<b>Korjaava toimi / kunnossapito:</b>	Hyväksyjä:	Seuraava tarkastus viimeistään:
	Päivämäärä:	
<b>Korjaava toimi / kunnossapito:</b>	Hyväksyjä:	Seuraava tarkastus viimeistään:
	Päivämäärä:	
<b>Korjaava toimi / kunnossapito:</b>	Hyväksyjä:	Seuraava tarkastus viimeistään:
	Päivämäärä:	
<b>Korjaava toimi / kunnossapito:</b>	Hyväksyjä:	Seuraava tarkastus viimeistään:
	Päivämäärä:	
<b>Korjaava toimi / kunnossapito:</b>	Hyväksyjä:	Seuraava tarkastus viimeistään:
	Päivämäärä:	
<b>Korjaava toimi / kunnossapito:</b>	Hyväksyjä:	Seuraava tarkastus viimeistään:
	Päivämäärä:	
<b>Korjaava toimi / kunnossapito:</b>	Hyväksyjä:	Seuraava tarkastus viimeistään:
	Päivämäärä:	
<b>Korjaava toimi / kunnossapito:</b>	Hyväksyjä:	Seuraava tarkastus viimeistään:
	Päivämäärä:	
<b>Korjaava toimi / kunnossapito:</b>	Hyväksyjä:	Seuraava tarkastus viimeistään:
	Päivämäärä:	
<b>Korjaava toimi / kunnossapito:</b>	Hyväksyjä:	Seuraava tarkastus viimeistään:
	Päivämäärä:	
<b>Korjaava toimi / kunnossapito:</b>	Hyväksyjä:	Seuraava tarkastus viimeistään:
	Päivämäärä:	



## CONSIGNES DE SÉCURITÉ

**Veillez lire, comprendre et suivre toutes les consignes de sécurité contenues dans ces instructions avant d'utiliser ce système vertical. LE NON-RESPECT DE CES INSTRUCTIONS PEUT CAUSER DES BLESSURES GRAVES OU MORTELLES.**

**Ces instructions doivent être transmises à l'utilisateur de cet équipement. Conservez ces instructions pour vous y référer ultérieurement.**

### Utilisation prévue :

Ce système vertical est conçu pour être utilisé comme élément d'un système antichute individuel complet.

Toute utilisation pour d'autres applications, y compris, mais sans s'y limiter, la manutention de matériaux, des activités de loisirs ou sportives, ou d'autres activités non décrites dans les instructions du produit, n'est pas approuvée par 3M et pourrait entraîner des blessures graves ou mortelles.

Ce dispositif ne doit être utilisé que par des utilisateurs formés pour des applications sur le lieu de travail.



## AVERTISSEMENT

Ce système à câble flexible/rail rigide fait partie d'un système antichute individuel. Tous les utilisateurs doivent être solidement formés à l'installation et au fonctionnement sécurisés de leur système antichute individuel. **Une mauvaise utilisation de ce dispositif pourrait entraîner des blessures graves ou être mortelle.** Pour ne faire aucune erreur dans la sélection, le fonctionnement, l'installation, la maintenance et l'entretien, suivez ces instructions du produit et toutes les recommandations du fabricant, consultez un superviseur ou contactez le service technique 3M.

- **Pour réduire les risques associés au travail avec un système à câble flexible/rail rigide qui, en l'absence de protection, pourraient entraîner des blessures graves ou être mortel :**
  - Inspectez tous les composants du système avant chaque utilisation, au moins une fois par an, et après chaque chute. Procédez à l'inspection conformément aux instructions du produit.
  - Si l'inspection révèle une défaillance ou une condition non sécuritaire pour un composant du système, mettez celui-ci hors service et détruisez-le.
  - Un système à câble flexible/rail rigide, ayant fait l'objet d'une antichute ou d'une force d'impact, doit être mis immédiatement hors service. Une personne compétente doit inspecter tous les composants avant toute réutilisation.
  - Ne vous connectez pas sur le système en cours d'installation.
  - Assurez-vous que le système est adapté au nombre d'utilisateurs simultanés.
  - Lors de son déballage, le câble peut se dérouler rapidement. Suivez les procédures de sécurité correctes et portez les équipements de protection individuelle appropriés lors du déballage du câble.
  - Utilisez uniquement les connecteurs approuvés pour fixer le harnais de sécurité au système. Ne pas utiliser d'autres dispositifs de connexion.
  - Utiliser uniquement le câble spécifié et approuvé dans les instructions du produit.
  - Ne pas entraver le verrouillage de la navette ou du manchon. Manipulez uniquement le dispositif pour l'attacher ou le détacher du système.
  - Maintenez toujours trois points de contact pendant l'ascension. Reportez-vous aux instructions du produit pour de plus amples informations sur la technique d'ascension appropriée.
  - Assurez-vous que les systèmes/sous-systèmes antichute assemblés avec des composants provenant de divers fabricants sont compatibles et respectent les exigences des normes applicables, y compris la norme ANSI Z359 ou d'autres codes, normes ou contraintes de protection contre les chutes. Consultez systématiquement une personne compétente et/ou qualifiée avant l'utilisation de ces systèmes.
- **Pour réduire les risques associés au travail en hauteur qui, faute de protection, peuvent entraîner des blessures graves ou mortelles :**
  - Assurez-vous que votre santé et votre condition physique vous permettent de supporter en toute sécurité les forces associées au travail en hauteur. Consultez un médecin si vous avez des questions concernant votre aptitude à utiliser cet équipement.
  - Ne dépassez jamais les limites autorisées pour votre équipement antichute.
  - Ne dépassez jamais la distance de chute libre maximale de votre équipement antichute.
  - N'utilisez aucun équipement antichute qui n'a pas satisfait aux inspections avant utilisation ou aux autres inspections programmées, ou si vous avez des préoccupations concernant l'utilisation ou la compatibilité de l'équipement avec votre application. Contactez les services techniques de 3M si vous avez des questions.
  - Certaines combinaisons de sous-systèmes et de composants peuvent gêner le fonctionnement de cet équipement. N'utilisez que des raccords compatibles. Consultez 3M avant d'utiliser cet équipement conjointement avec des composants ou des sous-systèmes autres que ceux décrits dans les instructions d'utilisation.
  - Soyez particulièrement vigilant(e) lorsque vous travaillez autour des machines en mouvement (par exemple, les mécanismes d'entraînement par le haut des plates-formes pétrolières), en cas de risques électriques, de températures extrêmes, de risques chimiques, en présence de gaz explosifs ou toxiques, d'arêtes vives, ou de matériaux suspendus pouvant chuter sur vous ou sur l'équipement.
  - Utilisez des dispositifs de protection contre les arcs électriques ou conçus pour le travail à température élevée dans les environnements à chaleur intense.
  - Évitez les surfaces et les objets qui peuvent blesser l'utilisateur ou endommager l'équipement.
  - Vérifiez que vous disposez d'une distance d'arrêt adaptée lorsque vous travaillez en hauteur.
  - Ne modifiez ni n'altérez jamais votre équipement antichute. Seul 3M ou les parties agréées par écrit par 3M peuvent réparer cet équipement.
  - Avant l'utilisation d'un équipement antichute, vérifiez qu'un plan de sauvetage est mis en place et qu'il permettra d'effectuer un sauvetage rapide si une chute se produit.
  - En cas de chute, faites immédiatement intervenir un médecin auprès du travailleur qui est tombé.
  - N'utilisez pas de ceinture de travail pour les applications de prévention antichute. Utilisez uniquement un harnais intégral.
  - Réduisez le risque d'effets pendulaires en travaillant autant que possible directement sous le point d'ancrage.
  - Lors de la formation à l'utilisation de ce dispositif, vous devez utiliser un système antichute secondaire afin de ne pas exposer la personne formée à un risque de chute involontaire.
  - Portez toujours un équipement de protection individuelle approprié lors de l'installation, de l'utilisation ou de l'examen du dispositif/système.

Avant d'installer et d'utiliser cet équipement, consigner les informations d'identification du produit indiquées sur l'étiquette d'identification dans le Journal d'inspection et d'entretien (Tableau 2) figurant au dos du présent manuel.

Assurez-vous toujours d'avoir en main la dernière version de votre manuel d'utilisation 3M. Visitez le site Web de 3M ou contactez le service technique 3M pour obtenir les manuels d'instructions mis à jour.

## DESCRIPTION DU PRODUIT :

La figure 1 illustre le système de sécurité pour échelles 3M™ DBI-SALA® Lad-Saf™. Le système de sécurité pour échelles Lad-Saf est conçu pour protéger un travailleur en cas de chute lors de la montée d'échelles fixes ou de structures de montée semblables. Le système Lad-Saf comprend le support supérieur, un câble métallique, le manchon de câble, le guide-câble, la plaque d'identification du système et le support inférieur. Le support supérieur (A) est fixé en haut de l'échelle et ancre le câble (B) conjointement avec le support inférieur (F), qui est fixé au bas de l'échelle. Le manchon de câble (C) se déplace de haut en bas sur le câble avec l'utilisateur et s'attache au D d'accrochage frontal du harnais de l'utilisateur. Le guide-câble (D) assure que le câble reste en place. La plaque d'identification du système (E) affiche des consignes de sécurité importantes et doit être placée à un endroit sur le système ou à proximité de celui-ci. La plaque d'identification du système est visible sous la forme de l'étiquette « E » à la figure 10.

La figure 2 illustre les composants du manchon de câble Lad-Saf X3. Le manchon de câble est composé du rouleau supérieur, de la plaque latérale tournante, de la poignée, du corps du manchon, du levier de verrouillage, du rouleau inférieur, du mousqueton et de la came de verrouillage. Le rouleau supérieur (A) fixe le manchon de câble au câble conjointement avec le rouleau inférieur (F). La plaque latérale tournante (B) et la poignée (C) s'ouvrent afin de placer le manchon de câble sur le câble. Le corps du manchon (D) constitue la structure principale du manchon de câble. Le levier de verrouillage (E) verrouille le manchon de câble et empêche l'ouverture accidentelle du dispositif. La came de verrouillage (H) maintient le manchon de câble en place lorsqu'elle est verrouillée. Le mousqueton (G) s'attache au D d'accrochage avant du harnais de l'utilisateur.

Voir le tableau 1 pour connaître les spécifications des composants du système et du manchon de sécurité de câble vertical Lad-Saf X3.

**Tableau 1 – Caractéristiques**

Spécifications du système :					
<b>Installation du système :</b>	<b>Instructions d'installation</b>	<b>Type de système</b>		<b>Description du système</b>	
	5908282	Vertical		Système de sécurité de câble flexible Lad-Saf	
	5903435	Vertical		Système de sécurité de câble flexible Lad-Saf avec D d'accrochage pivotant	
<b>Manchon de câble Lad-Saf :</b>	<b>Numéro de pièce</b>	<b>Force d'activation</b>	<b>Longueur maximale de déploiement</b>	<b>Résistance à la rupture minimale</b>	<b>Poids</b>
	6160054	450 lbf (2,0 kN)	102 mm (4,0 po)	3 600 lbf (16 kN)	1,0 kg (2,1 lb)
<b>Capacité :</b>	chaque utilisateur doit avoir un poids combiné (vêtements, outils, etc.) de 40 kg à 140 kg (88 lb à 310 lb). Quatre utilisateurs au maximum peuvent utiliser simultanément le système Lad-Saf, mais un seul utilisateur peut être attaché à chaque manchon de sécurité de câble vertical Lad-Saf X3. Pour les utilisateurs supplémentaires, des manchons de câble supplémentaires doivent être utilisés.				
<b>Exigences d'ancrage :</b>	<b>Nombre d'utilisateurs</b>	<b>Force d'ancrage</b>	<b>Nombre d'utilisateurs</b>	<b>Force d'ancrage</b>	
	1	2 700 lbf (12 kN)	3	3 940 lbf (17,5 kN)	
	2	3 320 lbf (14,8 kN)	4	4 560 lbf (20,3 kN)	
<b>Température de service :</b>	-40 °C à 60 °C (-40 °F à 140 °F)				
<b>Normes :</b>	Le système et le manchon de sécurité de câble vertical Lad-Saf X3 ont été testés conformément aux normes identifiées sur la page de couverture de ces instructions d'utilisation.				
<b>Spécifications du câble :</b>	le manchon de câble Lad-Saf X3 ne peut être utilisé qu'avec un câble à âme pleine de 9,5 mm (3/8 po) de diamètre. L'utilisation avec tout autre câble est interdite et pourrait entraîner des blessures graves ou mortelles.				
	<b>Numéro de pièce</b>	<b>Description</b>	<b>Matériau</b>	<b>Résistance à la rupture minimale</b>	<b>Poids</b>
	6104XXX / CE 6134XXX	9,5 mm (3/8 po), 1 x 7	Acier galvanisé	15 400 lbf (68,4 kN)	0,27 lb. / pi. (0,41 kg / m)
	6105XXX / CE 6135XXX	9,5 mm (3/8 po), 1 x 7	Acier inoxydable	18 000 lbf (80 kN)	0,27 lb. / pi. (0,41 kg / m)
	6106XXX / CE 6136XXX	9,5 mm (3/8 po), 7 x 19	Acier galvanisé	14 400 lbf (64 kN)	0,27 lb. / pi. (0,41 kg / m)
	6107XXX / CE 6137XXX	9,5 mm (3/8 po), 7 x 19	Acier inoxydable	12 000 lbf (53,3 kN)	0,27 lb. / pi. (0,41 kg / m)

**Tableau 1 – Caractéristiques**

**Caractéristiques des composants :**

**Système de sécurité pour échelles Lad-Saf :**

Référence de la figure 1	Composant	Matériaux
Ⓐ	Support supérieur	Acier galvanisé ou acier inoxydable
Ⓑ	Câble	Acier galvanisé ou acier inoxydable
Ⓒ	Manchon de câble	Acier inoxydable
Ⓓ	Guide-câble	Uréthane
Ⓔ	Plaque d'identification du système	Acier inoxydable
Ⓕ	Support inférieur	Acier galvanisé ou acier inoxydable

**Manchon de câble Lad-Saf :**

Référence de la figure 2	Composant	Matériaux
Ⓐ	Rouleau supérieur	Nylon
Ⓑ	Plaque latérale tournante	Acier inoxydable
Ⓒ	Poignée	Acier inoxydable
Ⓓ	Corps du manchon	Acier inoxydable
Ⓔ	Levier de verrouillage	Acier inoxydable
Ⓕ	Rouleau inférieur	Nylon
Ⓖ	Mousqueton	Acier zingué :
Ⓗ	Came de verrouillage	Acier inoxydable

## 1.0 UTILISATION DU PRODUIT

**1.1 OBJECTIF :** le système de sécurité pour échelles Lad-Saf™ fait partie d'un système antichute individuel complet. Utilisé en combinaison avec le manchon de câble amovible Lad-Saf™, le système de sécurité pour échelles Lad-Saf est conçu pour protéger un travailleur en cas de chute lors de l'utilisation d'échelles fixes ou de structures d'escalade similaires.

**Dispositif antichute uniquement :** n'utilisez pas le système de sécurité pour échelles Lad-Saf à des fins autres que la prévention antichute.

**1.2 NORMES :** votre système de sécurité pour échelles est conforme aux normes nationales ou régionales présentées sur la page de couverture de ces instructions. Si ce produit est revendu en dehors du pays de destination d'origine, le revendeur doit fournir ces instructions dans la langue du pays où il sera utilisé.

**1.3 SUPERVISION :** l'utilisation du système de sécurité pour échelles Lad-Saf doit être supervisée par une personne compétente<sup>1</sup>. L'installation du système de sécurité pour échelles Lad-Saf doit être supervisée par une personne qualifiée<sup>2</sup>.

**1.4 FORMATION :** le système de sécurité pour échelles Lad-Saf doit être installé et utilisé par des personnes formées à cet effet. Ce manuel doit être utilisé dans le cadre du programme de formation des employés, comme requis par les normes nationales, régionales ou locales. Il relève de la responsabilité des installateurs de cet équipement de s'assurer qu'ils se sont familiarisés avec ces instructions, qu'ils ont été formés à l'entretien et à l'utilisation corrects du matériel et qu'ils ont connaissance des caractéristiques de fonctionnement, des limites d'application et des conséquences d'une mauvaise utilisation.

**1.5 PLAN DE SAUVETAGE :** avant d'utiliser cet équipement et les sous-systèmes de raccordement, l'employeur doit disposer d'un plan de sauvetage et des moyens nécessaires pour le mettre en œuvre et le communiquer aux utilisateurs, aux personnes autorisées<sup>3</sup>, et sauveteurs<sup>4</sup>. Il est recommandé de mettre en place une équipe adéquatement formée de sauvetage sur site. Il conviendra de mettre à la disposition des membres de l'équipe l'équipement et les moyens techniques nécessaires à la bonne exécution d'une opération de sauvetage. La formation devra être dispensée sur une base régulière afin de garantir le niveau de compétence des sauveteurs.

**1.6 FRÉQUENCE D'INSPECTION :** le système de sécurité pour échelles doit être inspecté par l'utilisateur avant chaque utilisation et, par ailleurs, par une personne compétente autre que l'utilisateur à des intervalles inférieurs à un an.<sup>5</sup> Les procédures d'inspection sont décrites dans le « *Journal d'inspection et d'entretien* ». Les résultats de chaque inspection effectuée par une personne compétente doivent être enregistrés dans des exemplaires du « *Journal d'inspection et d'entretien* ».

**1.7 APRÈS UNE CHUTE :** si le système Lad-Saf est soumis aux forces d'un arrêt de chute, il devra immédiatement être mis hors service et être clairement libellé « NE PAS UTILISER ». Le système et le manchon de sécurité de câble Lad-Saf doivent ensuite être détruits ou envoyés à 3M pour être remplacés.

## 2.0 EXIGENCES DU SYSTÈME :

**2.1 ANCRAGE :** les exigences en matière d'ancrage varient en fonction de l'utilisation du dispositif antichute. La structure sur laquelle le système de sécurité pour échelles est posé ou installé doit satisfaire aux spécifications d'ancrage reprises dans le Tableau 1.

**2.2 RISQUES :** l'utilisation de cet équipement dans des zones à risque environnemental peut nécessiter des précautions supplémentaires pour éviter les risques de blessures corporelles de l'utilisateur ou de dommages matériels. Les risques peuvent notamment comprendre : la chaleur, les produits chimiques, les environnements corrosifs, les lignes à haute tension, les gaz explosifs ou toxiques, les engins en mouvement, les arêtes vives ou les matériaux en hauteur pouvant tomber et toucher l'utilisateur ou l'équipement de protection individuelle antichute.

**2.3 COMPATIBILITÉ AVEC L'AIDE À LA MONTÉE :** n'utilisez pas un système d'aide à la montée motorisé (PCA) avec un système de prévention antichute pour échelles de 3M (CLFAS), notamment le système de ligne de vie verticale Lad-Saf et les manchons de câble amovibles Lad-Saf X2, X3 ou X3+, à moins que le PCA ait été vérifié par 3M et soit compatible avec le CLFAS de 3M. Le non-respect de cet avertissement pourrait empêcher l'arrêt sécurisé de la chute de l'utilisateur en cas de chute de hauteur lors de l'utilisation de systèmes PCA et CLFAS incompatibles. Pour toute question, contactez le service technique de 3M à l'adresse suivante : 3MFallProtectionTech@mmm.com.

**L'utilisation de systèmes d'aide à la montée incompatibles avec les systèmes verticaux 3M peut entraîner des blessures graves ou mortelles.**

**2.4 COMPATIBILITÉ DES COMPOSANTS :** l'équipement 3M est destiné à être utilisé uniquement avec des composants et des sous-systèmes agréés 3M. La substitution ou le remplacement de pièces par des composants ou des sous-systèmes non approuvés peut compromettre la compatibilité de l'équipement et nuire à la sécurité et à la fiabilité de l'ensemble du système.

**1 Personne compétente :** personne capable de déceler des dangers existants et prévisibles dans les milieux de travail ou des conditions de travail non hygiéniques, ou dangereuses pour les employés, et ayant l'autorisation de prendre des mesures correctives rapides pour les éliminer.

**2 Personne qualifiée :** personne possédant un diplôme, un certificat ou un statut professionnel reconnu, ou qui, par ses connaissances, sa formation et son expérience, a démontré avec succès sa capacité à résoudre des problèmes relatifs aux systèmes de protection antichute et de secours dans la mesure requise par l'OSHA ou par d'autres réglementations régionales, locales ou nationales applicables.

**3 Personne autorisée :** personne désignée par l'employeur pour effectuer des tâches sur un site où elle sera exposée à un risque de chute.

**4 Sauveteur :** personne autre que la personne secourue chargée d'effectuer un sauvetage au moyen d'un équipement de sauvetage.

**5 Fréquence d'inspection :** des conditions de travail extrêmes (environnement hostile, utilisation prolongée, etc.) peuvent nécessiter des inspections plus fréquentes par une personne compétente.

**2.5 COMPATIBILITÉ DES CONNECTEURS :** les connecteurs sont considérés comme compatibles avec les éléments de raccordement lorsqu'ils ont été conçus de sorte que ni leur taille ni leur forme ne provoque l'ouverture spontanée de leur mécanisme d'ouverture, quelle que soit leur orientation. Pour toute question concernant la compatibilité, contacter 3M. Les fixations (crochets, mousquetons, D d'accrochage) doivent être capables de soutenir au moins 22,2 kN (2 264 kg, 5 000 lbf). Les connecteurs doivent être compatibles avec l'ancrage ou tout autre composant du dispositif. N'utilisez pas un équipement qui ne serait pas compatible. Les connecteurs non compatibles peuvent se désengager accidentellement (voir la figure 4). La taille, la forme et la résistance des connecteurs doivent être compatibles. Si l'élément de raccordement est doté d'un mousqueton trop petit ou de forme irrégulière, il se peut que l'élément de raccordement applique une force sur le mécanisme d'ouverture du mousqueton (A). Cette force pourrait entraîner l'ouverture du mécanisme (B) et provoquer le détachement du mousqueton de son point de raccordement (C).

Des crochets de mousquetons et des mousquetons autobloquants sont requis selon la norme ANSI Z359 et par l'OSHA.

**2.6 RACCORDEMENT :** les mousquetons utilisés avec cet équipement doivent être à verrouillage automatique. Vérifiez que la taille, la forme et la résistance de tous les raccords sont compatibles. N'utilisez pas un équipement qui ne serait pas compatible. Vérifiez que tous les connecteurs sont bien fermés et verrouillés.

Les connecteurs 3M (crochets à ressort et mousquetons) sont destinés à être utilisés uniquement selon les instructions utilisateur de chacun des produits. La figure 5 montre quelques exemples de raccords inappropriés. Ne connectez pas les mousquetons et les crochets :

- A. à un D d'accrochage auquel un autre connecteur est attaché ;
- B. d'une manière qui provoquerait une charge sur l'ouverture. Les crochets de mousquetons à grande ouverture ne doivent pas être raccordés à des D d'accrochage de taille standard ou à des objets similaires qui provoqueraient une charge sur l'ouverture si le connecteur ou le D d'accrochage venait à se tordre ou tourner, sauf si le crochet de mousqueton est équipé d'une ouverture de 16 kN (1 632 kg, 3 600 lb). Vérifiez le marquage sur votre mousqueton afin de s'assurer qu'il convient à votre application ;
- C. dans une configuration défectueuse où des éléments dépassant du mousqueton s'accrochent à l'ancrage et où on pourrait penser, sans confirmation visuelle, que la fixation au point d'ancrage est correcte ;
- D. l'un à l'autre ;
- E. directement à des sangles, à un cordon ou à un point d'ancrage (à moins que les instructions du fabricant pour le cordon et le connecteur n'autorisent spécifiquement ce type de raccordement) ;
- F. à un objet ayant une forme ou une dimension empêchant la fermeture et le verrouillage du mousqueton, ou risquant de provoquer un désenclenchement ;
- G. d'une manière qui ne permet pas le bon alignement du connecteur lorsqu'il est sous charge.

### 3.0 INSTALLATION

Pour plus d'informations sur les procédures d'installation du système Lad-Saf, reportez-vous aux instructions d'installation du produit. Voir les IFU 5908282 ou IFU 5903435 pour plus d'informations.

**3.1 PRÉPARATION :** planifiez votre utilisation du système de sécurité pour échelles Lad-Saf avant de commencer à travailler. Prenez en compte tous les facteurs qui pourraient affecter la sécurité avant, pendant et après une chute. Prenez en considération toutes les exigences, spécifications et limites définies dans la Section 2 et le Tableau 1.

- S'assurer que le système peut être utilisé pour le nombre requis d'utilisateurs.
- Il existe des risques liés au raccordement au système. Utiliser une protection antichute secondaire. Veiller à ce que des points d'ancrage, des paliers et d'autres dispositifs de sécurité soient disponibles aux points de raccordement au système pour des transitions en toute sécurité.
- Une distance d'arrêt minimale de 2,0 m (7 pi) est requise entre les pieds de l'utilisateur et la surface du sol. L'utilisateur peut ne pas avoir de protection suffisante contre l'entrée en contact avec le sol lors des premiers 2,0 m (7 pi) de la montée ou les derniers 2,0 m (7 pi) de descente. Utiliser des procédures d'ascension appropriées (p. ex., maintenir trois points de contact avec les mains et les pieds) lors de la montée ou de la descente de toute partie de l'échelle non protégée par le système Lad-Saf™.
- Utiliser des procédures de sécurité appropriées lors de l'ascension. Ne pas porter d'outil ou d'équipement à la main. Garder les mains libres pour l'ascension. Sécuriser les outils transportés afin qu'ils ne tombent pas sur les personnes au bas de l'échelle. Grimper selon ses capacités. L'ascension de longues distances peut nécessiter des pauses à la montée ou à la descente afin d'éviter de s'épuiser. Utiliser des dispositifs de positionnement appropriés pour les pauses. Ne **pas** grimper par vent fort ou par mauvais temps.
- S'assurer qu'un seul utilisateur grimpe entre les guides-câbles.

**3.2 CONNEXION DU MANCHON DE CÂBLE AU CÂBLE PORTEUR :** le manchon de sécurité du câble vertical Lad-Saf X3 doit être connecté à un système de sécurité pour échelles Lad-Saf 3M pour être utilisé. Voir la figure 7 à titre de référence. Pour connecter le manchon de câble Lad-Saf X3 au câble porteur du système Lad-Saf :

1. **Positionner le manchon afin que la flèche « Haut » située sur le manchon (I) soit orientée vers le haut.**
2. **Tourner le levier de verrouillage (E) en position déverrouillée.** La figure 3 indique les positions du levier de verrouillage verrouillée (A) et non verrouillée (B). Le levier de verrouillage est situé de chaque côté du manchon de câble amovible pour une utilisation ambidextre.
3. **Tirer sur la plaque latérale rotative (B) vers sa position la plus extrême.** Une fois la plaque latérale rotative dans sa position de rotation la plus extrême, le levier de verrouillage (E) peut être relâché. La came de verrouillage (H) sera complètement sortie.
4. **Faire pivoter la poignée (C) complètement à la verticale.** Cela permettra de baisser la came de verrouillage afin qu'elle ne gêne pas l'installation du manchon sur le câble.
5. **Tenir le coulisseau en position verticale et insérer le câble (J) dans la rainure située sur le côté du manchon avec un mouvement d'élévation vers le haut.** Mettre le câble dans l'encoche du manchon. Relâcher la poignée (C), la plaque latérale rotative (B) et le levier de verrouillage (E) pour verrouiller le manchon sur le câble. **Vérifier que le levier de verrouillage (E) est en position verrouillée avant toute utilisation.**

**3.3 CONNEXION DE LA GAINÉ DE CÂBLE AU HARNAIS :** la connexion entre le manchon de câble et le harnais intégral de sécurité peut être faite avant ou après que le manchon de câble ait été installé sur le système Lad-Saf. Un système secondaire de protection antichute est recommandé lors de la connexion ou de la déconnexion du système Lad-Saf. La manipulation du manchon lors de la montée ou de la descente expose l'utilisateur à des risques de chute. Le système Lad-Saf doit avoir un angle maximum de 15° par rapport à la verticale à tout moment pendant l'utilisation.

N'utilisez pas d'autres dispositifs de connexion ou combinez des dispositifs (par exemple, une longe) avec le connecteur fourni avec le manchon de câble. Utilisez toujours le connecteur à mousqueton fourni avec le manchon de câble pendant l'utilisation. N'utilisez pas d'autres connecteurs.

- **MONTÉE :** pour la montée de la structure, monter en maintenant trois points de contact à tout moment (avec les mains et les pieds). Le manchon de câble amovible Lad-Saf X3 suit la personne pendant son ascension. Le câble porteur sort des guides-câbles lorsqu'ils entrent en contact. **Ne pas manipuler ou retirer le manchon du câble porteur lors de l'introduction des guides-câbles ou en cas de verrouillage du manchon.**
- **DESCENTE :** pour la descente de la structure, descendre doucement en maintenant trois points de contact à tout moment (avec les mains et les pieds). Permettre au manchon de câble amovible Lad-Saf X3 de « diriger » l'utilisateur vers le bas. L'adoption d'une posture différente de la posture habituelle durant la descente (p. ex., basculer excessivement vers l'arrière ou grimper de manière irrégulière) peut causer le verrouillage du manchon sur le câble porteur. Si le manchon se bloque, remontez légèrement pour laisser le manchon se débloquer et reprenez la descente de la structure. Reconnecter le câble porteur dans les guides-câbles après le passage de chaque guide-câble. **Ne pas manipuler ou retirer le manchon du câble porteur lors de l'introduction des guides-câbles ou en cas de verrouillage du manchon.**
- **SE DÉCONNECTER :** une fois la montée terminée, déconnecter le manchon de câble du système. Voir la figure 2 pour les références des composants.
  1. Retirer le manchon du câble en pivotant le levier de verrouillage (E).
  2. Tirer sur la plaque latérale (B) et faire pivoter la poignée (C) complètement à la verticale.
  3. Le manchon peut à présent être retiré du câble et rangé de manière appropriée.



## 4.0 UTILISATION

- 4.1 AVANT CHAQUE UTILISATION :** vérifiez que la zone de travail et l'équipement de protection individuelle (ÉPI) antichute répondent à tous les critères définis dans la section 2 et qu'un plan de sauvetage officiel est mis en place. Inspectez le système Lad-Saf conformément aux consignes d'inspection « *Utilisateur* » figurant dans le « *Journal d'inspection et d'entretien* » (Tableau 2). N'utilisez pas le système si l'inspection révèle une condition dangereuse ou défectueuse. Mettez le système hors service immédiatement et indiquez clairement « NE PAS UTILISER ». Le système et le manchon de sécurité de câble vertical Lad-Saf doivent ensuite être détruits ou envoyés à 3M pour être remplacés.
- 4.2 RACCORDEMENTS AU SYSTÈME :** le système Lad-Saf doit être utilisé avec un harnais intégral de sécurité. Le harnais intégral de sécurité est conforme aux normes ANSI 2359.11, CSA Z259.10, EN 361 ou à toute autre norme nationale, régionale ou locale applicable. Pour un ajustement correct de votre harnais intégral de sécurité, consultez les instructions du fabricant. Pour vous connecter à votre harnais intégral de sécurité, connectez le mousqueton du système Lad-Saf au D d'accrochage frontal (A) de votre harnais intégral de sécurité. L'utilisation avec tout autre connecteur ou D d'accrochage sur votre harnais intégral de sécurité est interdite.

Les normes OSHA 1910.29 et OSHA 1926.1053 indiquent que la distance de raccordement entre le câble porteur et le point de fixation ne doit pas dépasser 23 cm (9 po).

## 5.0 INSPECTION

- 5.1 FRÉQUENCE D'INSPECTION :** le système Lad-Saf doit être inspecté aux intervalles définis à la Section 1. Les procédures d'inspection sont décrites dans le « *Journal d'inspection et d'entretien* » (Tableau 2). Inspecter tous les autres composants du système antichute personnel conformément aux fréquences et procédures figurant dans les instructions du fabricant.
- 5.2 DÉFAUTS :** retirer immédiatement le système Lad-Saf du service si l'inspection révèle une condition dangereuse ou défectueuse, ou s'il y a un doute quant à son état pour une utilisation sécuritaire, et y indiquer clairement « NE PAS UTILISER ». Le système et le manchon de sécurité de câble vertical Lad-Saf doivent ensuite être détruits ou envoyés à 3M pour être remplacés. Ne pas essayer de réparer le système.
- 5.3 DURÉE DE VIE DU PRODUIT :** la durée de vie fonctionnelle du système Lad-Saf est déterminée par les conditions de travail et l'entretien. Le produit peut rester en service tant qu'il répond aux critères d'inspection.

## 6.0 ENTRETIEN, RÉVISION ET STOCKAGE

- 6.1 NETTOYAGE DU SYSTÈME :** pour des questions d'entretien liées à l'inspection, consulter la Section 5.0. Si le câble porteur devient très sale avec de l'huile, de la graisse, de la peinture ou d'autres substances, le nettoyer à l'eau tiède et savonneuse. Essuyer le câble à l'aide d'un chiffon propre et sec. Ne pas faire sécher à l'aide d'une source de chaleur. Ne pas utiliser d'acides ni de produits caustiques pouvant endommager le câble.


Les procédures supplémentaires d'entretien et de réparation doivent être effectuées par un centre de réparation agréé. L'autorisation doit être donnée par écrit.

- 6.2 NETTOYAGE DE LA GAINÉ DE CÂBLE :** un manchon de sécurité de câble vertical Lad-Saf X3 souillé peut être nettoyé en suivant la procédure suivante :
1. Mélanger quatre volumes d'eau chaude et un volume de détergent doux (par exemple, Simple Green ou une solution similaire).
  2. Immergez le manchon de câble dans la solution et faites tremper l'ensemble du manchon de câble dans le mélange pendant 2 à 3 heures.
  3. Sortez le manchon de câble de la solution et rincez-le à l'eau chaude pendant au moins 1 minute. S'assurer d'enlever toute accumulation excessive de saleté.
  4. Laisser sécher le manchon de câble à l'air libre pendant 24 heures avant de l'utiliser. L'utilisation d'air froid pulsé est acceptable.
  5. Voir la figure 2 à titre de référence. Appliquez une petite quantité de lubrifiant sur les points de pivot (E) ou à la base de la plaque latérale (B).
  6. Effectuez une inspection avant utilisation comme indiqué à la section 5.3. Vérifiez qu'aucun débris n'est logé à l'intérieur, ce qui pourrait affecter le fonctionnement du manchon de câble.
- 6.3 STOCKAGE ET TRANSPORT :** ranger le manchon de sécurité de câble vertical Lad-Saf X3 dans un endroit frais, sec, propre et à l'abri de la lumière directe du soleil. Éviter les zones contenant des vapeurs chimiques. Inspecter soigneusement le manchon après une période de rangement prolongée.
- Transporter le manchon de câble Lad-Saf dans un emballage afin de le protéger contre les coupures, l'humidité ou les rayons ultraviolets. Éviter toute atmosphère corrosive, surchauffée ou réfrigérée.
- 6.4 RÉVISION :** seule la société 3M ou les parties agréées par écrit par 3M peuvent réparer cet équipement. Si le système et le manchon de câble vertical Lad-Saf ont été soumis à une force suite à une chute ou si l'inspection révèle un état dangereux ou défectueux, mettre le système hors service immédiatement et indiquer clairement « NE PAS UTILISER ». Le système et le manchon de sécurité de câble vertical Lad-Saf doivent ensuite être détruits ou envoyés à 3M pour être remplacés.



## 7.0 ÉTIQUETTE À IRF

- 7.1 EMPLACEMENT :** le produit 3M concerné par ces instructions utilisateur est équipé d'une étiquette à IRF (Radio Frequency Identification – identification de radiofréquence). Les étiquettes RFID peuvent être utilisées conjointement avec un scanner d'étiquettes RFID pour enregistrer les résultats de l'inspection du produit. Voir la figure 8 pour savoir où se trouve l'étiquette RFID.
- 7.2 ÉLIMINATION :** avant de jeter ce produit, retirer l'étiquette à IRF et effectuer le recyclage conformément aux réglementations locales. Pour plus d'informations sur le retrait de l'étiquette à IRF, consulter le site Web dont l'adresse apparaît ci-dessous.

	N'éliminez pas votre produit comme un déchet municipal non trié. Le pictogramme de la poubelle barrée soulignée indique que tous les EEE (Équipements Électriques et Électroniques) doivent être éliminés conformément à la législation locale au moyen de systèmes de retour et de collecte qui sont mis à disposition. Veuillez contacter votre concessionnaire ou votre représentant 3M local pour de plus amples informations.
---	--

Visitez notre site web pour obtenir plus d'informations : <http://www.3M.com/FallProtection/RFID>



## 8.0 ÉTIQUETTES et REPÈRES

- 8.1 ÉTIQUETTES :** la figure 9 illustre l'emplacement des étiquettes sur le système de sécurité pour échelles Lad-Saf. La figure 10 illustre chaque étiquette en détail. Les étiquettes qui ne figurent pas sur le système doivent être placées à un endroit proche du système Lad-Saf. Les informations présentes sur chaque étiquette sont les suivantes :

<b>A</b>	A) Numéro de modèle du manchon de câble B) Numéro de série C) Avertissement : Suivre toutes les instructions d'utilisation. D) Lire les instructions d'utilisation. E) Un utilisateur au maximum. F) Norme applicable G) Détail de l'organisme notifié H) Exigences de poids de l'utilisateur
<b>B</b>	A) Orientation « vers le haut » du manchon de câble pour l'utilisation.
<b>C</b>	A) La distance maximale autorisée entre le câble et le point de fixation du harnais est de 23 cm (9 po). B) Ne pas utiliser le manchon de câble avec une longe. Ne pas modifier le système de quelque façon que ce soit.
<b>D</b>	ID/Numéro de lot (AAMMSSTT) : AA = deux derniers chiffres de l'année de fabrication. MM = mois de fabrication. SS = semaine de l'année de fabrication. TT = usage interne 3M uniquement.
<b>E</b>	1) Date d'installation 2) Installé par 3) Exigences d'ancrage 4) Nombre maximum d'utilisateurs par système 5) Longueur du système 6) Date de fabrication 7) Date d'inspection 8) Numéro de série 9) Avertissements du système 10) Type de câble et matrice de compatibilité de manchon avec certification de normes. 11) Étiquette RFID (voir la section 7.0)

**Tableau 2 – Journal d’inspection et d’entretien**

<b>Date d’inspection :</b>		<b>Inspection par :</b>	
<b>Composant :</b>	<b>Inspection :</b> (Voir la section 2 pour la <i>Fréquence des inspections</i> )	<b>Utilisa- teur</b>	<b>Personne compé- tente</b>
Manchon de câble (Figure 2)	Inspectez la poignée (C) pour détecter les courbures, les fissures et les déformations. Les fixations doivent être correctement attachées. La poignée et la came doivent fonctionner librement et sans à-coups. Les ressorts doivent être sécurisés et leur résistance doit être suffisante pour actionner la poignée vers le bas. La poignée agit également comme un absorbeur d’énergie et un indicateur de chute. La poignée sera déformée si elle a été utilisée en tant que dispositif antichute. La figure 11.3 présente un exemple de poignée qui n’a pas été utilisée en tant que dispositif antichute (A) et une poignée qui a été utilisée en tant que dispositif antichute et qui est déformée (B). Si la poignée est déformée de plus de A = 12,7 mm (1/2 po), ne pas l’utiliser. Le manchon doit être retiré du service.	<input type="checkbox"/>	<input type="checkbox"/>
	Vérifier que le levier de verrouillage (E) fonctionne sans à-coups en s’assurant qu’il passe en position verrouillée lorsqu’il est relâché.	<input type="checkbox"/>	<input type="checkbox"/>
	Rechercher la présence d’usure sur la came de verrouillage (H). Confirmer que la came n’a pas été endommagée.	<input type="checkbox"/>	<input type="checkbox"/>
	Inspecter la came de verrouillage (H) en tenant le manchon en position verticale avec la poignée (C) en position verticale et en agitant le manchon de haut en bas pour simuler une chute. La came doit tourner librement.	<input type="checkbox"/>	<input type="checkbox"/>
	Inspecter la came de verrouillage (H) en positionnant le manchon horizontalement avec la poignée (C) en position verticale et en plaçant le manchon à l’arrière sur une surface plate avec l’étiquette Lad-Saf X3 orientée vers le haut. La came doit tourner entièrement vers le haut vers la partie supérieure du manchon.	<input type="checkbox"/>	<input type="checkbox"/>
	Inspecter le fonctionnement de la plaque latérale (B) en la tirant vers l’arrière pour ouvrir la rainure du câble. Elle ne doit pas tourner. Si elle tourne sans avoir à tourner le levier de verrouillage (E), retirer le manchon du service.	<input type="checkbox"/>	<input type="checkbox"/>
	Inspecter l’équipement afin de détecter toute trace de corrosion.	<input type="checkbox"/>	<input type="checkbox"/>
Support supérieur (Figure 11.2)	Vérifier que l’installation est conforme aux instructions d’installation des systèmes de sécurité pour échelle à câble vertical flexible Lad-Saf™, Manuel de protection contre les chutes 3M n° 5908282 ou 5903435.	<input type="checkbox"/>	<input type="checkbox"/>
	Vérifier la présence visible de dommages ou de corrosion. Rechercher les craquelures, les pliures ou l’usure pouvant affecter la puissance et le fonctionnement du système. Inspecter les soudures. Rechercher les soudures fissurées ou cassées qui pourraient affecter la résistance du support. Remplacer les pièces si l’inspection révèle des défauts.	<input type="checkbox"/>	<input type="checkbox"/>
	Vérifier la présence de fixations desserrées ou manquantes qui fixent le support supérieur à la structure (boulons, plaques de bride, étriers). Si les fixations sont desserrées, les resserrer si nécessaire aux couples indiqués dans les instructions d’installation fournies avec le système de sécurité de câble flexible Lad-Saf.	<input type="checkbox"/>	<input type="checkbox"/>
	Inspecter la plaque supérieure afin de détecter la présence de déformations. L’écart doit être de 5 mm (0,2 po) minimum à l’emplacement A.	<input type="checkbox"/>	<input type="checkbox"/>
	S’assurer que la grande goupille (B) et la petite goupille sont toutes deux en place. Vérifier que l’ouverture à ressort (C) est en place.	<input type="checkbox"/>	<input type="checkbox"/>
	Inspecter l’ancrage à point unique (D) pour déceler la présence de fissures ou des signes d’endommagements. Inspecter le couple de serrage de la fixation. Vérifier que la rondelle a des marques visibles.	<input type="checkbox"/>	<input type="checkbox"/>
Support inférieur (Figure 11.1)	Vérifier que l’installation est conforme aux instructions d’installation des systèmes de sécurité pour échelle à câble vertical flexible Lad-Saf™, Manuel de protection contre les chutes 3M n° 5908282 ou 5903435.	<input type="checkbox"/>	<input type="checkbox"/>
	Vérifier la présence de dommages ou de corrosion. Rechercher les craquelures, les pliures ou l’usure pouvant affecter la puissance et le fonctionnement du système. Remplacer les pièces si l’inspection révèle des défauts.	<input type="checkbox"/>	<input type="checkbox"/>
	Vérifier la présence de fixations desserrées ou manquantes qui fixent le support inférieur à la structure. Si les fixations sont desserrées, les resserrer si nécessaire aux couples indiqués dans les Instructions d’installation fournies avec le système de sécurité de câble flexible pour échelles Lad-Saf.	<input type="checkbox"/>	<input type="checkbox"/>
	Inspecter la tige de tension. S’assurer que les pincés d’accrochage maintiennent solidement le câble. Vérifier le couple de serrage des mâchoires de serrage de la selle ; serrer à un couple de serrage de 47 N-m (35 pi-lb). Les remplacer ou les resserrer si l’inspection révèle des défauts.	<input type="checkbox"/>	<input type="checkbox"/>

**Tableau 2 – Journal d’inspection et d’entretien**

<b>Date d’inspection :</b>		<b>Inspection par :</b>	
<b>Composant :</b>	<b>Inspection :</b> (Voir la section 2 pour la <i>Fréquence des inspections</i> )	<b>Utilisateur</b>	<b>Personne compétente</b>
Guide-câble (Figure 1)	Vérifier les guide-câbles pour détecter des dommages éventuels. Rechercher la présence d’usure ou de dommages sur l’uréthane noir. Les guides de câble doivent retenir le câble et éviter tout contact du câble avec l’échelle ou la structure. Les guides-câbles doivent être positionnés à environ 6-12 m (20-40 pi) le long du câble porteur, ou plus près si nécessaire. Remplacer les pièces si l’inspection révèle des défauts.	<input type="checkbox"/>	<input type="checkbox"/>
	Vérifier les fixations du guide-câble. Les fixations doivent maintenir le guide de câble en position. Serrer si nécessaire.	<input type="checkbox"/>	<input type="checkbox"/>
Câble (Figure 1)	Inspecter le câble pour détecter la présence de corrosion, de courbures ou de dommages pouvant affecter la résistance et compromettre la course du manchon de câble. S’il y a des entailles ou des pliures dans le câble pour échelles, le câble doit être inspecté par une personne compétente avant toute utilisation. Inspecter l’échelle ou la structure pour détecter des signes d’abrasion. Remplacer le câble si l’inspection révèle des défauts.	<input type="checkbox"/>	<input type="checkbox"/>
	S’assurer que la tension est appropriée. La rainure doit être exposée au-dessus du gabarit inférieur (voir la lettre « E », figure 11.1). Il doit être impossible de tirer la tige de tension vers le bas à la main. Le câble doit être suffisamment serré pour éviter tout contact avec l’échelle/la structure. Retendre le câble si nécessaire. Ne pas tendre excessivement le système.	<input type="checkbox"/>	<input type="checkbox"/>
Étiquettes (Figure 9)	Vérifier que toutes les étiquettes sont présentes et parfaitement lisibles.	<input type="checkbox"/>	<input type="checkbox"/>
EPI antichute et autre matériel	Tout équipement de protection individuelle (EPI) antichute supplémentaire (harnais, dispositif auto-rétractable [Self-Retracting Device, SRD], etc.) utilisé avec le système d’ancrage doit être installé et inspecté conformément aux instructions du fabricant.	<input type="checkbox"/>	<input type="checkbox"/>
Structure	Vérifier que la structure à laquelle le système est fixé est conforme aux exigences en matière de résistance indiquées dans le tableau 1, selon toutes les directions de charge possibles.	<input type="checkbox"/>	<input type="checkbox"/>

<b>Numéro(s) de série :</b>	<b>Date d’achat :</b>
<b>Numéro(s) de modèle :</b>	<b>Date de la première utilisation :</b>

<b>Mesures correctives/entretien :</b>	Approuvé par :	Date de l’inspection suivante :
	Date :	
<b>Mesures correctives/entretien :</b>	Approuvé par :	Date de l’inspection suivante :
	Date :	
<b>Mesures correctives/entretien :</b>	Approuvé par :	Date de l’inspection suivante :
	Date :	
<b>Mesures correctives/entretien :</b>	Approuvé par :	Date de l’inspection suivante :
	Date :	
<b>Mesures correctives/entretien :</b>	Approuvé par :	Date de l’inspection suivante :
	Date :	
<b>Mesures correctives/entretien :</b>	Approuvé par :	Date de l’inspection suivante :
	Date :	
<b>Mesures correctives/entretien :</b>	Approuvé par :	Date de l’inspection suivante :
	Date :	
<b>Mesures correctives/entretien :</b>	Approuvé par :	Date de l’inspection suivante :
	Date :	
<b>Mesures correctives/entretien :</b>	Approuvé par :	Date de l’inspection suivante :
	Date :	
<b>Mesures correctives/entretien :</b>	Approuvé par :	Date de l’inspection suivante :
	Date :	

## INFORMATION DE SÉCURITÉ

**Veillez lire, comprendre et suivre toutes les informations de sécurité contenues dans ces instructions avant d'utiliser ce système vertical. LE NON-RESPECT DE CES INSTRUCTIONS PEUT ENTRAÎNER DES BLESSURES GRAVES, VOIRE LA MORT.**

**Ces directives doivent être transmises à l'utilisateur de ce matériel. Conserver ces directives pour une utilisation ultérieure.**

### Utilisation prévue :

Ce système vertical est prévu pour être utilisé comme partie intégrante d'un système individuel de protection contre les chutes complet.

L'utilisation dans le cadre d'autres applications comme, sans en exclure d'autres, des activités récréatives ou liées au sport, ou d'autres activités non décrites dans les directives sur le produit, n'est pas approuvée par 3M et peut entraîner des blessures graves, voire la mort.

Ce dispositif doit être utilisé uniquement par des utilisateurs formés sur les applications du lieu de travail.

## AVERTISSEMENT

Ce système à câble flexible et à rail rigide fait partie d'un système individuel de protection contre les chutes. Il est attendu que tous les utilisateurs sont entièrement formés sur l'installation et le fonctionnement sécuritaires de leur système individuel de protection contre les chutes. **Une mauvaise utilisation de ce dispositif peut entraîner des blessures graves, voire la mort.** Pour s'assurer d'un choix, d'un fonctionnement, d'une installation, de travaux d'entretien et de réparation appropriés, se reporter à ces directives sur le produit ainsi qu'à toutes les recommandations du fabricant, consulter un superviseur ou communiquer avec le Service technique de 3M.

- **Pour réduire les risques associés au travail avec un système à câble flexible et à rail rigide qui, s'ils ne sont pas évités, pourraient entraîner des blessures graves, voire la mort :**
  - Inspecter tous les composants du système avant chaque utilisation, au moins annuellement et après chaque cas de chute. Réaliser l'inspection conformément aux directives sur le produit.
  - Si l'inspection révèle l'existence d'une déféctuosité ou d'une condition non sécuritaire du système, mettre le composant hors service et le détruire.
  - Tout système à câble flexible et à rail rigide ayant été soumis aux forces d'arrêt de chute ou de choc doit être mis immédiatement hors service, et tous les composants doivent être inspectés par une personne compétente avant de réutiliser le système.
  - Ne pas se relier au système en cours d'installation.
  - S'assurer que la capacité nominale du système convient au nombre d'utilisateurs simultanés.
  - Au moment de débaler le câble, il peut se dérouler rapidement. Suivre les procédures de sécurité appropriées et utiliser le bon équipement de protection individuelle au moment de débaler le câble.
  - Utiliser uniquement les connecteurs autorisés pour fixer le harnais de sécurité au système. Ne pas utiliser d'autres dispositifs de connexion.
  - Utiliser uniquement le câble précisé et approuvé dans les directives sur le produit.
  - Ne pas entraver l'action de verrouillage du dispositif de navette/manchon. Ne manipuler le dispositif que pour le fixer et le détacher du système.
  - Toujours maintenir trois points de contact pendant la montée. Consulter les directives sur le produit pour en savoir davantage sur la bonne technique de montée.
  - S'assurer que les systèmes/sous-systèmes de protection contre les chutes assemblés à partir de composants fabriqués par différents fabricants sont compatibles et répondent aux exigences des normes applicables, y compris la norme ANSI Z359 ou d'autres codes, normes ou exigences de protection contre les chutes applicables. Toujours consulter une personne compétente et/ou qualifiée avant d'utiliser ces systèmes.
- **Pour réduire les risques associés au travail en hauteur qui, s'ils ne sont pas évités, pourraient entraîner des blessures graves, voire la mort :**
  - S'assurer que sa condition physique et son état de santé permettent de supporter en toute sécurité toutes les forces associées au travail en hauteur. Consulter son médecin en cas de questions sur sa capacité à utiliser ce matériel.
  - Ne jamais dépasser la capacité maximale permise de son matériel de protection contre les chutes.
  - Ne jamais dépasser la distance maximale de chute libre de son matériel de protection contre les chutes.
  - Ne jamais utiliser un matériel de protection contre les chutes qui échoue à une inspection préalable à son utilisation ou à toute autre inspection programmée ou en cas d'inquiétudes au sujet de l'utilisation ou de la pertinence du matériel pour l'application en question. En cas de questions, communiquer avec le Service technique de 3M.
  - Certaines combinaisons de sous-systèmes et de composants peuvent gêner le fonctionnement de ce matériel. N'utiliser que des connecteurs compatibles. Consulter 3M avant d'employer ce matériel conjointement avec des composants ou des sous-systèmes autres que ceux décrits dans les directives d'utilisation.
  - Prendre des précautions supplémentaires lorsque l'on travaille à proximité d'une machinerie mobile (p. ex., l'entraînement supérieur d'une plateforme pétrolière), en présence de risques électriques, de températures extrêmes, de risques chimiques, de gaz explosifs ou toxiques, de bords tranchants ou de matériaux en hauteur pouvant tomber sur soi ou son matériel de protection contre les chutes.
  - Lorsque l'on travaille dans un environnement où la chaleur est élevée, utiliser des appareils dont l'usage se fait en environnement chaud ou en présence d'arc électrique.
  - Éviter les surfaces et les objets qui pourraient endommager l'utilisateur ou le matériel.
  - Lorsque l'on travaille en hauteur, vérifier d'abord que la distance d'arrêt est adéquate.
  - Ne jamais modifier son matériel de protection contre les chutes. Seules 3M ou les parties autorisées par écrit par 3M sont en droit d'effectuer des réparations sur ce matériel.
  - Avant d'utiliser un matériel de protection contre les chutes, s'assurer qu'un plan de sauvetage est en place et permet un sauvetage rapide en cas de chute.
  - Si un cas de chute devait se produire, obtenir des soins médicaux immédiats pour le travailleur qui a chuté.
  - Ne pas utiliser de ceinture complète dans les applications de protection antichute. N'utiliser qu'un harnais de sécurité complet.
  - Réduire au minimum les chutes oscillantes en travaillant le plus directement possible sous le point d'ancrage.
  - Si ce dispositif est utilisé en formation, un second système de protection contre les chutes doit être utilisé de façon à ne pas exposer le stagiaire à un danger de chute involontaire.
  - Toujours porter un équipement de protection individuelle approprié lors de l'installation, de l'utilisation ou de l'inspection du dispositif/système.

Avant d'installer et d'utiliser ce matériel, consigner l'information d'identification de produit de l'étiquette d'identification dans le Journal d'inspection et d'entretien (tableau 2) à la fin de ce manuel.

Toujours s'assurer d'utiliser la dernière révision du manuel d'utilisation de 3M. Consulter le site Web de 3M ou communiquer avec le Service technique de 3M pour obtenir des manuels d'utilisation mis à jour.

## DESCRIPTION DU PRODUIT :

La figure 1 illustre le système de sécurité pour échelle Lad-SafMC DBI-SALA® 3MMC. Le système de sécurité pour échelle Lad-Saf est conçu pour protéger un travailleur en cas de chute au moment de monter sur une échelle fixe ou une structure d'ascension semblable. Le système Lad-Saf est composé du support supérieur, d'un câble en métal, du manchon de câble, du guide de câble, de l'étiquette du système et du support inférieur. Le support supérieur (A) est fixé en haut de l'échelle et ancre le câble (B) en coordination avec le support inférieur (F), lequel est fixé au bas de l'échelle. Le manchon de câble (C) monte et descend le long du câble avec l'utilisateur et se fixe à l'anneau en D frontal du harnais de l'utilisateur. Le guide de câble (D) permet de s'assurer que le câble reste en place. L'étiquette du système (E) affiche des consignes de sécurité importantes et doit être placée sur le système ou à proximité de celui-ci. L'étiquette du système est illustrée au point « E » à la figure 10.

La figure 2 illustre les composants du manchon de câble Lad-Saf X3. Le manchon de câble comprend le galet supérieur, la plaque latérale rotative, la poignée, le boîtier du manchon, le levier de blocage, le galet inférieur, le mousqueton et la came de verrouillage. Le galet supérieur (A) fixe le manchon de câble au câble en coordination avec le galet inférieur (F). La plaque latérale rotative (B) et la poignée (C) s'ouvrent pour permettre au manchon de câble de se placer sur le câble. Le boîtier du manchon (D) constitue la structure principale du manchon de câble. Le levier de blocage (E) verrouille le manchon de câble et empêche l'ouverture involontaire du dispositif. La came de verrouillage (H) maintient le manchon de câble en place lorsqu'elle est verrouillée. Le mousqueton (G) se fixe à l'anneau en D frontal du harnais de l'utilisateur.

Consulter le tableau 1 pour connaître les spécifications des composants du système de sécurité à câble vertical avec manchon Lad-Saf X3.

**Tableau 1 – Spécifications**

Spécifications du système					
<b>Installation du système</b>	<b>Directives d'installation</b>	<b>Type de système</b>		<b>Description du système</b>	
	5908282	Vertical		Système de sécurité à câble souple Lad-Saf	
	5903435	Vertical		Système de sécurité à câble souple Lad-Saf avec anneau en D pivotant	
<b>Manchon de câble Lad-Saf</b>	<b>Numéro d'article</b>	<b>Force d'activation</b>	<b>Longueur de déploiement maximale</b>	<b>Force de rupture minimale</b>	<b>Poids</b>
	6160054	2,0 kN (450 lbf)	102 mm (4,0 po)	16 kN (3 600 lbf)	1,0 kg (2,1 lb)
<b>Capacité :</b>	Chaque utilisateur doit avoir un poids combiné (vêtements, outils, etc.) de 40 kg à 140 kg (88 lb à 310 lb). Le système Lad-Saf peut être utilisé par un maximum de quatre utilisateurs à la fois, mais chaque manchon de sécurité de câble vertical Lad-Saf X3 ne peut être utilisé que par un seul utilisateur. Pour les utilisateurs supplémentaires, d'autres manchons de câble doivent être utilisés.				
<b>Exigences relatives à l'ancrage</b>	<b>Nombre d'utilisateurs</b>	<b>Résistance d'ancrage</b>	<b>Nombre d'utilisateurs</b>	<b>Résistance d'ancrage</b>	
	1	12 kN (2 700 lbf)	3	17,5 kN (3 940 lbf)	
	2	14,8 kN (3 320 lbf)	4	20,3 kN (4 560 lbf)	
<b>Température de service</b>	-40 °C à 60 °C (-40 °F à 140 °F)				
<b>Normes :</b>	Le système de sécurité à câble vertical avec manchon Lad-Saf X3 a été mis à l'essai conformément aux normes indiquées sur la page couverture des présentes directives d'utilisation.				
<b>Spécifications du câble</b>	Le manchon de câble Lad-Saf X3 ne peut être utilisé qu'avec un câble à âme pleine de 9,5 mm (3/8 po) de diamètre. L'utilisation avec tout autre câble est interdite et pourrait entraîner des blessures graves ou causer la mort.				
	<b>Numéro d'article</b>	<b>Description</b>	<b>Matériau</b>	<b>Force de rupture minimale</b>	<b>Poids</b>
	6104XXX / CE 6134XXX	9,5 mm (3/8 po), 1 x 7	Acier galvanisé	(15 400 lbf) 68,4 kN	(0,27 lb / pi) 0,41 kg / m
	6105XXX / CE 6135XXX	9,5 mm (3/8 po), 1 x 7	Acier inoxydable	(18 000 lbf) 80 kN	(0,27 lb / pi) 0,41 kg / m
	6106XXX / CE 6136XXX	9,5 mm (3/8 po), 7 x 19	Acier galvanisé	(14 400 lbf) 64 kN	(0,27 lb / pi) 0,41 kg / m
	6107XXX / CE 6137XXX	9,5 mm (3/8 po), 7 x 19	Acier inoxydable	(12 000 lbf) 53,3 kN	(0,27 lb / pi) 0,41 kg / m

## Tableau 1 – Spécifications

### Spécifications des composants

#### Système de sécurité pour échelle Lad-Saf

Figure 1 Référence	Composant	Matériau
(A)	Support supérieur	Acier galvanisé ou acier inoxydable
(B)	Câble	Acier galvanisé ou acier inoxydable
(C)	Manchon de câble	Acier inoxydable
(D)	Guide de câble	Uréthanne
(E)	Étiquette du système	Acier inoxydable
(F)	Support inférieur	Acier galvanisé ou acier inoxydable

#### Manchon de câble Lad-Saf

Figure 2 Référence	Composant	Matériau
(A)	Galet supérieur	Nylon
(B)	Plaque latérale rotative	Acier inoxydable
(C)	Poignée	Acier inoxydable
(D)	Boîtier du manchon	Acier inoxydable
(E)	Levier de blocage	Acier inoxydable
(F)	Galet inférieur	Nylon
(G)	Mousqueton	Acier zingué
(H)	Came de verrouillage	Acier inoxydable

## 1.0 APPLICATION DU PRODUIT

- 1.1 OBJECTIF :** Le système de sécurité pour échelle Lad-SafMC fait partie d'un système individuel de protection contre les chutes. Lorsqu'il est utilisé conjointement avec le manchon de câble amovible Lad-SafMC, le système de sécurité pour échelle Lad-Saf est conçu pour protéger un travailleur en cas de chute pendant l'ascension d'une échelle fixe ou d'une structure d'escalade similaire.

**Système antichute uniquement :** Utiliser le système de sécurité pour échelle Lad-Saf seulement à titre de système antichute.

- 1.2 NORMES :** Le système de sécurité pour échelle est conforme à la ou aux norme(s) nationale(s) ou régionale(s) indiquée(s) sur la couverture des présentes directives. Si ce produit est revendu en dehors du pays d'origine de destination, le revendeur doit fournir ces directives dans la langue du pays dans lequel le produit est utilisé.
- 1.3 SUPERVISION :** L'utilisation du système de sécurité pour échelle Lad-Saf doit être supervisée par une personne compétente<sup>1</sup>. L'installation du système de sécurité pour échelle Lad-Saf doit être supervisée par une personne qualifiée<sup>2</sup>.
- 1.4 FORMATION :** Le système de sécurité pour échelle Lad-Saf doit être installé et utilisé par des personnes formées pour que son application soit appropriée. Ce manuel doit être utilisé dans le cadre d'un programme de formation pour les employés, comme l'exigent les normes nationales, régionales ou locales. Les installateurs de ce matériel sont tenus de se familiariser avec ces directives, de suivre une formation afin d'entretenir et d'utiliser correctement ce matériel et de bien connaître les caractéristiques opérationnelles, les limites des applications ainsi que les conséquences d'une utilisation inappropriée de ce matériel.
- 1.5 PLAN DE SAUVETAGE :** Pour l'utilisation de cet équipement et des sous-systèmes de raccordement, l'employeur doit avoir un plan de sauvetage et les moyens de le mettre en œuvre et de le communiquer aux utilisateurs, aux personnes autorisées<sup>3</sup> et aux sauveteurs<sup>4</sup>. Il est conseillé d'avoir une équipe de sauvetage formée présente sur place. Les membres de l'équipe doivent avoir l'équipement et les connaissances techniques afin de pouvoir accomplir un sauvetage réussi. La formation doit être répétée régulièrement afin d'assurer l'efficacité des sauveteurs.
- 1.6 FRÉQUENCE D'INSPECTION :** Avant chaque utilisation, l'utilisateur doit inspecter le système de sécurité pour échelle. De plus, une personne compétente autre que l'utilisateur doit aussi le faire, mais à des intervalles n'excédant pas une fois par an.<sup>5</sup> Les procédures d'inspection sont décrites dans le « *Journal d'inspection et d'entretien* ». Les résultats de chaque inspection effectuée par une personne compétente doivent être consignés sur des copies du « *Journal d'inspection et d'entretien* ».
- 1.7 APRÈS UNE CHUTE :** Si le système Lad-Saf est soumis aux forces d'arrêt d'une chute, on doit le mettre hors service immédiatement et y inscrire clairement « NE PAS UTILISER ». Le système de sécurité à câble avec manchon Lad-Saf doit alors être détruit ou envoyé à 3M pour remplacement.

## 2.0 EXIGENCES DU SYSTÈME

- 2.1 ANCRAGE :** Les exigences d'ancrage varient selon l'application de protection contre les chutes. La structure sur laquelle le système de sécurité pour échelle est placé ou monté doit satisfaire aux spécifications d'ancrage figurant au tableau 1.
- 2.2 DANGERS :** L'utilisation de cet équipement dans des zones de dangers environnementaux peut exiger de prendre des précautions additionnelles afin d'éviter que l'utilisateur ne se blesse ou que l'équipement ne subisse des dommages. Les risques peuvent comprendre, notamment et sans limitation : la chaleur, les produits chimiques, les environnements corrosifs, les lignes électriques à haute tension, les gaz explosifs ou toxiques, de la machinerie en mouvement, les bords acérés ou les matériaux suspendus pouvant tomber et entrer en contact avec l'utilisateur ou le système antichute individuel.
- 2.3 COMPATIBILITÉ AVEC LES SYSTÈMES ANTICHUTE MOTORISÉS :** Ne pas utiliser de système antichute motorisé avec un système antichute pour échelle de 3M, y compris le système vertical avec ligne de vie Lad-Saf et les manchons de câble amovibles X2, X3 ou X3+ Lad-Saf, sauf si 3M en a vérifié la compatibilité avec le système antichute pour échelle de 3M. Tout manquement à cette mise en garde pourrait empêcher de protéger l'utilisateur en cas de chute dans le cadre de l'utilisation de systèmes antichute motorisés et pour échelles incompatibles. Communiquer avec le Service technique de 3M à l'adresse 3MFallProtectionTech@mmm.com pour toute question à ce sujet.

**L'utilisation de systèmes antichute motorisés qui ne sont pas compatibles avec les systèmes verticaux de 3M pourrait entraîner des blessures graves ou causer la mort.**

- 2.4 COMPATIBILITÉ DES COMPOSANTS :** L'équipement 3M est destiné à être utilisé uniquement avec des composants et des sous-systèmes approuvés par 3M. Les substitutions ou les remplacements effectués avec des composants ou des sous-systèmes non approuvés peuvent affecter la compatibilité du matériel ainsi que la sécurité et la fiabilité du système dans son ensemble.

**1 Personne compétente :** Une personne capable de reconnaître les dangers existants et prévisibles au sein du milieu de travail ou les conditions de travail insalubres, risquées ou dangereuses pour les employés, et qui possède l'autorisation d'apporter rapidement des mesures correctives pour les éliminer.

**2 Personne qualifiée :** Une personne possédant un diplôme, un certificat ou un statut professionnel reconnu ou qui, grâce à ses connaissances approfondies, sa formation et son expérience, a démontré avec succès sa capacité à résoudre des problèmes liés aux systèmes de protection contre les chutes et de sauvetage dans la mesure requise par l'OSHA ou tout autre règlement fédéral, provincial et local applicable.

**3 Personne autorisée :** Une personne affectée par l'employeur et chargée d'exécuter des travaux à un emplacement qui l'expose à un danger de chute.

**4 Sauveteurs :** Toute personne autre que la personne secourue effectuant un sauvetage assisté à l'aide d'un système de sauvetage.

**5 Fréquence d'inspection :** Des conditions de travail extrêmes (environnements rigoureux, utilisation prolongée, etc.) peuvent nécessiter des inspections plus fréquentes de la part d'une personne compétente.



**2.5 COMPATIBILITÉ DES CONNECTEURS :** Les connecteurs sont jugés compatibles avec les éléments de connexion lorsqu'ils ont été conçus pour travailler conjointement et de telle manière que leurs tailles et formes n'entraînent pas l'ouverture des mécanismes, quelle que soit leur orientation. Communiquer avec 3M pour toute question sur la compatibilité.

Les connecteurs (crochets, mousquetons et anneaux en D) doivent pouvoir supporter une charge minimale de 22,2 kN (5 000 lbf). Les connecteurs doivent être compatibles avec l'ancrage ou tout autre composant du système. N'utiliser aucun équipement non compatible. Les connecteurs non compatibles peuvent se décrocher accidentellement (voir la figure 4). Les connecteurs doivent être compatibles en ce qui concerne leur taille, leur forme et leur résistance. Si l'élément de raccordement auquel est attaché le crochet à ressort ou le mousqueton est trop petit ou de forme irrégulière, l'élément de raccordement risque d'exercer une force sur la clavette du crochet à ressort ou du mousqueton (A). Cette force peut entraîner l'ouverture de la clavette (B), permettant ainsi au crochet à ressort ou au mousqueton de se désengager du point d'attache (C).

La norme Z359 de l'ANSI et l'OSHA exigent l'utilisation de crochets à ressort et de mousquetons autoverrouillables.

**2.6 RACCORDEMENTS :** Les crochets à ressort et les mousquetons utilisés avec ce matériel doivent être autoverrouillables. S'assurer que toutes les connexions sont compatibles en ce qui concerne leur taille, leur forme et leur résistance. N'utiliser aucun équipement non compatible. S'assurer que tous les connecteurs sont bien fermés et verrouillés.

Les connecteurs 3M (crochets à ressort et mousquetons) sont conçus pour être utilisés uniquement selon les directives propres à chacun des produits. Consulter la figure 5 pour obtenir des exemples de connexions inappropriées. Ne pas connecter de crochet à ressort et de mousqueton :

- A. À un anneau en D auquel un autre connecteur est déjà fixé.
- B. De manière à occasionner une charge sur la clavette. Les crochets à ressort à ouverture large ne doivent pas être raccordés à des anneaux en D de taille standard ou à d'autres objets semblables, au risque d'entraîner une charge sur la clavette si le crochet ou l'anneau en D se déforme ou pivote, sauf si le crochet à ressort est équipé d'une clavette de 16 kN (3 600 lb) de capacité. Vérifier les directives sur le crochet à ressort afin d'assurer qu'il convient à l'application.
- C. En cas de fixation défectueuse, où certains éléments qui dépassent du crochet standard ou du mousqueton se prennent dans le point d'ancrage et semblent être totalement pris dans le point d'ancrage sans pouvoir le vérifier visuellement.
- D. L'un à l'autre.
- E. Directement à la sangle, à la longe en corde ou à la longe à nœud coulant (à moins que les directives du fabricant pour la longe et le connecteur n'autorisent une connexion de ce type).
- F. À un objet dont la forme ou la dimension bloque la fermeture et le verrouillage du crochet à ressort ou du mousqueton ou pourrait provoquer leur décrochage.
- G. S'ils ne permettent pas au connecteur de s'aligner correctement alors qu'il est sous tension.

### 3.0 INSTALLATION

Pour plus de renseignements sur les méthodes d'installation du système Lad-Saf, se reporter aux directives d'installation du produit. Consulter les directives d'utilisation 5908282 et 5903435 pour obtenir plus de détails.

**3.1 PLANIFICATION :** Planifier l'utilisation du système de sécurité pour échelle Lad-Saf avant de commencer à travailler. Prendre en compte tous les facteurs qui pourraient affecter la sécurité avant, pendant et après une chute. Tenir compte de toutes les exigences, restrictions et spécifications indiquées dans la section 2 et le tableau 1.

- S'assurer que la capacité nominale du système convient au nombre d'utilisateurs requis.
- Le raccordement au système et le détachement de celui-ci comportent des risques. Utiliser une protection antichute auxiliaire. Vérifier que des points d'ancrage appropriés, des plateformes de réception ou d'autres dispositifs sont disponibles au niveau des points de raccordement et de détachement pour permettre des transitions sécurisées vers et depuis le système.
- Un dégagement de chute minimal de 2 m (7 pi) est nécessaire entre les pieds de l'utilisateur et la surface inférieure. Il est possible que l'utilisateur ne soit pas protégé contre les chutes ou à la réception lorsqu'il se trouve dans les 2 premiers mètres (7 pi) de la montée ou dans les 2 derniers mètres (7 pi) de la descente. Utiliser les techniques d'ascension appropriées (p. ex., maintenir trois points de contact avec les mains et les pieds) au moment de se déplacer sur toute partie de l'échelle non protégée par le système Lad-Saf<sup>MC</sup>.
- Utiliser les procédures de sécurité appropriées au moment de grimper. Éviter d'avoir des outils ou de l'équipement dans les mains. Garder les mains libres pour grimper. Fixer les objets transportés pour éviter qu'ils ne tombent sur une personne au-dessous. Monter en fonction de ses capacités. Les longues distances peuvent nécessiter plusieurs arrêts lors de la montée ou de la descente pour éviter l'épuisement. Utiliser un équipement approprié de positionnement de travail au moment des pauses. Ne **pas** grimper en présence de forts vents ou de mauvaises conditions météorologiques.
- S'assurer qu'un seul utilisateur monte entre les guides de câble.

**3.2 RACCORDEMENT DU MANCHON DE CÂBLE AU CÂBLE PORTEUR :** Le manchon de sécurité de câble vertical Lad-Saf X3 doit être relié au système de sécurité pour échelle Lad-Saf 3M qui sera utilisé. Voir la figure 7 aux fins de référence. Pour raccorder le manchon de câble Lad-Saf X3 au câble porteur du système Lad-Saf :

1. **Positionner le manchon de manière à ce que la flèche « vers le haut », sur le manchon (I), pointe dans la direction ascendante.**
2. **Faire pivoter le levier de blocage (E) en position déverrouillée.** La figure 3 illustre les positions verrouillée (A) et déverrouillée (B) du levier de blocage. Le levier de blocage se trouve des deux côtés du manchon de câble amovible pour être utilisé aussi bien par un gaucher que par un droitier.
3. **Tirer la plaque latérale rotative (B) jusqu'à sa position la plus éloignée.** Une fois que la plaque latérale rotative est dans la position la plus éloignée, le levier de blocage (E) peut être abaissé. La came de verrouillage (H) sera entièrement déployée.
4. **Tourner la poignée (C) jusqu'à sa position verticale complète.** Cela permettra de dégager la came de verrouillage pour installer le manchon sur le câble.
5. **Tenir le manchon en position verticale et insérer le câble (J) par la fente située sur le côté du manchon en effectuant un mouvement vers le haut.** Positionner le câble dans la cavité du manchon. Dégager la poignée (C), la plaque latérale rotative (B) et le levier de blocage (E) pour verrouiller le manchon sur le câble. **Vérifier que le levier de blocage (E) est en position verrouillée avant d'utiliser le système.**

**3.3 RACCORDEMENT DU MANCHON DE CÂBLE AU HARNAIS :** Le raccordement du manchon de câble au harnais de sécurité complet peut être fait avant ou après l'installation du manchon de câble sur le système Lad-Saf, L'utilisation d'un système de protection contre les chutes secondaire est recommandée au moment du raccordement au système Lad-Saf ou du détachement de celui-ci. La manipulation du manchon au moment de grimper ou de descendre expose l'utilisateur à des risques de chute. Le système Lad-Saf doit reposer à un angle maximum de 15° de la surface verticale en tout temps pendant l'utilisation.

Ne pas employer d'autres dispositifs de raccordement ni combiner de dispositifs (p. ex., une longe) au moment d'utiliser le connecteur fourni avec le manchon de câble. Toujours employer le mousqueton fourni avec le manchon de câble pendant l'utilisation. N'utiliser aucun autre connecteur.

- **MONTÉE :** Pour monter sur la structure, grimper sur l'échelle en maintenant en tout temps trois points de contact (avec les mains et les pieds). Le manchon de câble amovible Lad-Saf X3 suivra la course du grimpeur. Dès que le câble porteur rencontre un guide de câble, il s'en éjecte. **Ne pas manipuler le manchon ni le retirer du câble porteur lorsque l'on passe les guides de câble ou si le manchon se verrouille.**
- **DESCENTE :** Pour quitter la structure, descendre doucement en maintenant en tout temps trois points de contact (avec les mains et les pieds). Laisser le manchon de câble amovible Lad-Saf X3 « diriger » le grimpeur vers le bas. La descente hors position (p. ex., en étant trop penché vers l'arrière ou de façon irrégulière) peut causer le verrouillage du manchon de câble sur le câble porteur. Si le manchon se verrouille, remonter un peu pour que le manchon se relâche puis continuer la descente de l'échelle. Reconnecter le câble porteur au guide de câble après chaque passage de guide. **Ne pas manipuler le manchon ni le retirer du câble porteur lorsque l'on passe les guides de câble ou si le manchon se verrouille.**
- **DÉTACHEMENT :** Une fois la montée terminée, détacher le manchon de câble du système. Consulter la figure 2 pour voir les composants.
  1. Retirer le manchon du câble en tournant le levier de blocage (E).
  2. Tirer la plaque latérale (B) et tourner la poignée (C) jusqu'à sa position verticale complète.
  3. Le manchon peut maintenant être retiré du câble et entreposé de manière appropriée.

## 4.0 UTILISATION

- 4.1 AVANT CHAQUE UTILISATION :** Vérifier que la zone de travail et le système antichute individuel répondent à tous les critères définis à la section 2 et qu'un plan de sauvetage est en place. Inspecter le système Lad-Saf en suivant les points d'inspection « Utilisateur » définis dans le « Journal d'inspection et d'entretien » (tableau 2). Si une inspection révèle des conditions non sécuritaires ou des défauts, ne pas utiliser le système. Mettre immédiatement le système hors service et y inscrire clairement « NE PAS UTILISER ». Le système de sécurité à câble vertical avec manchon Lad-Saf doit alors être détruit ou envoyé à 3M pour remplacement.
- 4.2 RACCORDEMENTS DU SYSTÈME :** Le système Lad-Saf doit être utilisé avec un harnais de sécurité complet. Le harnais de sécurité complet doit être conforme aux normes ANSI Z359.11, CSA Z259.10 et EN 361 ou à toute autre norme nationale, régionale ou locale applicable. Pour ajuster correctement le harnais de sécurité complet, consulter les directives du fabricant. Pour relier le harnais de sécurité complet, raccorder le mousqueton du système Lad-Saf à l'anneau en D frontal (A) du harnais de sécurité complet. L'utilisation avec tout autre connecteur ou anneau en D sur le harnais de sécurité complet est interdite.

Les normes OSHA 1910.29 et OSHA 1926.1053 stipulent que la longueur de raccordement entre le câble porteur et le point de fixation ne doit pas excéder 23 cm (9 po).

## 5.0 INSPECTION

- 5.1 FRÉQUENCE D'INSPECTION :** Le système Lad-Saf doit être inspecté en fonction des intervalles définis dans la section 1. Les procédures d'inspection sont décrites dans le « Journal d'inspection et d'entretien » (tableau 2). Inspecter tous les autres composants du système de protection contre les chutes selon les fréquences et les procédures définies dans les directives du fabricant.
- 5.2 DÉFAUTS :** Si l'inspection révèle des conditions dangereuses ou des états défectueux, ou en cas de doute sur l'état du système, mettre immédiatement le système Lad-Saf hors service et y inscrire clairement « NE PAS UTILISER ». Le système de sécurité à câble vertical avec manchon Lad-Saf doit alors être détruit ou envoyé à 3M pour remplacement. Ne pas tenter de réparer le système.
- 5.3 DURÉE UTILE DU PRODUIT :** La durée utile du système Lad-Saf est déterminée par les conditions de travail et l'entretien. Tant que le système satisfait aux critères d'inspection, il peut être utilisé.

## 6.0 ENTRETIEN, SERVICE ET ENTREPOSAGE

- 6.1 NETTOYAGE DU SYSTÈME :** Consulter la section 5.0 pour les problèmes d'entretien liés à l'inspection. Si le câble porteur est très encrassé par de l'huile, de la graisse, de la peinture ou d'autres substances, le nettoyer à l'eau chaude savonneuse. Essuyer le câble à l'aide d'un chiffon propre et sec. Ne pas soumettre le matériel à un séchage accéléré à la chaleur. Les solutions contenant des acides ou des produits chimiques caustiques peuvent endommager le câble.


Les procédures additionnelles d'entretien et de réparation doivent être effectuées par un centre de service autorisé. L'autorisation doit être écrite.

- 6.2 NETTOYAGE DU MANCHON DE CÂBLE :** Un manchon de sécurité de câble vertical Lad-Saf X3 sale peut être nettoyé de la manière suivante :
1. Mélanger quatre volumes d'eau tiède avec un volume de solution de nettoyage douce (p. ex., Simple Green ou une solution semblable).
  2. Immerger le manchon de câble dans la solution et le laisser tremper complètement dans celle-ci pendant 2 ou 3 heures.
  3. Retirer le manchon de câble de la solution et le rincer à l'eau tiède pendant au moins 1 minute. S'assurer d'éliminer toute accumulation de saleté.
  4. Laisser le câble sécher à l'air pendant 24 heures avant de l'utiliser. L'utilisation d'air frais pulsé est acceptable.
  5. Consulter la figure 2 aux fins de référence. Appliquer une petite quantité de lubrifiant sur les points de pivot (E) ou à la base de la plaque latérale (B).
  6. Effectuer une inspection avant l'utilisation comme indiqué dans la section 5.3. Confirmer qu'aucun débris ne s'est logé à l'intérieur, ce qui pourrait nuire au fonctionnement du manchon de câble.
- 6.3 ENTREPOSAGE ET TRANSPORT :** Entreposer le manchon de sécurité de câble vertical Lad-Saf X3 dans un endroit frais, sec et propre, à l'abri de la lumière directe du soleil. Éviter les lieux contenant des vapeurs chimiques. Inspecter soigneusement le manchon en cas d'entreposage prolongé.
- Transporter le manchon de câble Lad-Saf dans une gaine pour le protéger de toute coupure, de l'humidité et des rayons ultraviolets. Éviter les atmosphères corrosives, surchauffées ou réfrigérées.
- 6.4 ENTRETIEN :** Seules 3M ou les parties autorisées par écrit par 3M peuvent réparer ce matériel. Si le système de sécurité à câble vertical avec manchon Lad-Saf a été soumis à une force de chute ou qu'une inspection révèle des conditions dangereuses ou des états défectueux, mettre le système hors service immédiatement et y inscrire clairement « NE PAS UTILISER ». Le système de sécurité à câble vertical avec manchon Lad-Saf doit alors être détruit ou envoyé à 3M pour remplacement.

## 7.0 ÉTIQUETTE À IRF

**7.1 EMPLACEMENT :** Le produit 3M présenté dans ces directives d'utilisation est doté d'une étiquette à identification par radiofréquences (IRF). Les étiquettes à IRF peuvent être utilisées en combinaison avec un lecteur d'étiquettes à IRF pour enregistrer les résultats des inspections du produit. Voir la figure 8 pour connaître l'emplacement de l'étiquette à IRF du produit.

**7.2 MISE AU REBUT :** Avant de mettre ce produit au rebut, retirer l'étiquette à IRF et la mettre au rebut ou la recycler conformément aux réglementations locales. Pour plus de renseignements sur la façon de retirer l'étiquette à IRF, se reporter au lien du site Web ci-dessous.

	Ne pas jeter le produit au rebut municipal sans tri. Le symbole d'un bac roulant marqué d'un X signifie qu'il faut mettre le matériel électronique et électrique au rebut conformément à la réglementation locale par l'entremise des systèmes de retour et de collecte offerts. Communiquer avec son distributeur ou le représentant de 3M de sa région pour plus de détails.
---	--

Pour obtenir de plus amples renseignements, consulter notre site Web : <http://www.3M.com/FallProtection/RFID>



## 8.0 ÉTIQUETTES et MARQUAGES

**8.1 ÉTIQUETTES :** La figure 9 illustre l'emplacement des étiquettes sur le système de sécurité pour échelle Lad-Saf. La figure 10 illustre chaque étiquette en détail. Les étiquettes dont l'emplacement n'est pas répertorié sur le système doivent être placées près du système Lad-Saf. Les informations apparaissant sur chaque étiquette sont les suivantes :

<b>A</b>	A) Numéro de modèle du manchon de câble B) Numéro de série C) Avertissement – Suivre toutes les directives d'utilisation. D) Lire toutes les directives d'utilisation. E) Un utilisateur maximum. F) Norme applicable G) Détail de l'organisme notifié H) Exigences relatives au poids de l'utilisateur
<b>B</b>	A) Orientation « vers le haut » du manchon de câble aux fins d'utilisation.
<b>C</b>	A) La distance maximale autorisée entre le câble du système et le point de fixation du harnais est de 23 cm (9 po). B) Ne pas utiliser le manchon de câble avec une longe. Ne pas modifier le système d'une quelconque manière que ce soit.
<b>D</b>	Identifiant/numéro de lot (AAMMSSTT) : AA = deux derniers chiffres de l'année de fabrication. MM = mois de fabrication. SS = semaine de l'année de fabrication. TT = à l'usage interne unique de 3M.
<b>E</b>	1) Date d'installation 2) Installé par 3) Exigences d'ancrage 4) Nombre maximum d'utilisateurs par système 5) Longueur du système 6) Date de fabrication 7) Date d'inspection 8) Numéro de série 9) Avertissements du système 10) Type de câble et matrice de compatibilité du manchon avec homologation en vertu de normes. 11) Étiquette à IRF (voir la section 7.0)

**Tableau 2 – Journal d’inspection et d’entretien**

<b>Date d’inspection :</b>		<b>Inspecté par :</b>	
<b>Composant :</b>	<b>Inspection :</b> (Voir la section 2 : <i>Fréquence d’inspection</i> )	<b>Utilisateur</b>	<b>Personne compétente</b>
Manchon de câble (Figure 2)	Inspecter la poignée (C) pour déceler la présence de courbures, de craquelures et de déformations. Tous les systèmes d’attache doivent être solidement fermés. L’utilisation de la poignée et de la came doit être fluide et sans accroc. Les ressorts doivent être en bon état et assez résistants pour tirer la poignée vers le bas. La poignée agit également comme absorbeur d’énergie et indicateur de chute. La poignée sera déformée si elle a été utilisée pour arrêter une chute. La figure 11.3 montre un exemple d’une poignée qui n’a pas été utilisée pour arrêter une chute (A) et d’une poignée qui a été utilisée pour arrêter une chute et qui est déformée (B). Si la poignée est déformée plus que A = 12,7 mm (1/2 po), ne pas l’utiliser. Le manchon doit être retiré du service.	<input type="checkbox"/>	<input type="checkbox"/>
	Vérifier que le levier de blocage (E) fonctionne correctement en s’assurant qu’il revient à la position verrouillée lorsque relâché.	<input type="checkbox"/>	<input type="checkbox"/>
	Inspecter la came de verrouillage (H) pour déceler des signes d’usure. Confirmer que la came n’a subi aucun dommage.	<input type="checkbox"/>	<input type="checkbox"/>
	Inspecter la came de verrouillage (H) en tenant le manchon à la verticale alors que la poignée (C) est en position verticale et secouer le manchon vers le haut et vers le bas pour simuler une chute. La came devrait tourner sans accroc.	<input type="checkbox"/>	<input type="checkbox"/>
	Inspecter la came de verrouillage (H) en positionnant le manchon à l’horizontale alors que la poignée (C) est en position verticale et en plaçant le manchon sur son côté arrière, sur une surface plane, avec l’étiquette Lad-Saf X3 orientée vers le haut. La came devrait effectuer une rotation complète vers le haut jusqu’au haut du manchon.	<input type="checkbox"/>	<input type="checkbox"/>
	Vérifier le fonctionnement de la plaque latérale (B) en la tirant vers l’arrière pour tenter d’ouvrir la fente du câble. Elle ne doit pas tourner. Si elle bouge sans qu’il soit nécessaire de faire tourner le levier de blocage (E), mettre le manchon hors service.	<input type="checkbox"/>	<input type="checkbox"/>
	Inspecter le matériel afin de détecter toute trace de corrosion.	<input type="checkbox"/>	<input type="checkbox"/>
Support supérieur (Figure 11.2)	S’assurer qu’il est installé de manière appropriée conformément aux directives d’installation des systèmes de sécurité verticaux à câble souple Lad-SafMC et du manuel n° 5908282 ou n° 5903435 de Protection contre les chutes 3M.	<input type="checkbox"/>	<input type="checkbox"/>
	Vérifier l’absence de détérioration et de corrosion. Rechercher la présence de craquelures, de pliures ou de signes d’usure pouvant affecter la résistance et le fonctionnement du système. Vérifier les soudures. Rechercher les soudures craquelées ou cassées qui pourraient affecter la résistance du support. Remplacer les pièces défectueuses.	<input type="checkbox"/>	<input type="checkbox"/>
	Vérifier que les dispositifs de fixation qui maintiennent le support supérieur à la structure sont correctement serrés et qu’aucun ne manque (boulons, plaques de serrage, boulons en U). Si les dispositifs de fixation sont desserrés, les resserrer aux couples énumérés dans les directives d’installation fournies avec le système de sécurité à câble souple Lad-Saf.	<input type="checkbox"/>	<input type="checkbox"/>
	Vérifier si la plaque supérieure est déformée. L’écart minimal à l’emplacement A doit être de 5 mm (0,20 po).	<input type="checkbox"/>	<input type="checkbox"/>
	S’assurer que la grande broche (B) et la petite broche sont en place. S’assurer que la clavette à ressort (C) est en place.	<input type="checkbox"/>	<input type="checkbox"/>
	Inspecter le point d’ancrage unique (D) afin de déceler la présence de fissures ou de signes de dommage. Contrôler le couple de serrage du dispositif de fixation. S’assurer que la rondelle présente des marques visibles.	<input type="checkbox"/>	<input type="checkbox"/>
Support inférieur (Figure 11.1)	S’assurer qu’il est installé de manière appropriée conformément aux directives d’installation des systèmes de sécurité verticaux à câble souple Lad-SafMC et du manuel n° 5908282 ou n° 5903435 de Protection contre les chutes 3M.	<input type="checkbox"/>	<input type="checkbox"/>
	Vérifier l’absence de détérioration et de corrosion. Rechercher la présence de craquelures, de pliures ou de signes d’usure pouvant affecter la résistance et le fonctionnement du système. Remplacer les pièces défectueuses.	<input type="checkbox"/>	<input type="checkbox"/>
	Vérifier que les dispositifs de fixation qui maintiennent le support inférieur à la structure sont correctement serrés et qu’aucun ne manque. Si les dispositifs de fixation sont desserrés, les resserrer aux couples énumérés dans les directives d’installation fournies avec le système de sécurité à câble souple pour échelle Lad-Saf.	<input type="checkbox"/>	<input type="checkbox"/>
	Inspecter l’assemblage de la tige de tension. Vérifier que des brides retiennent fermement le câble. Vérifier le couple des colliers de serrage; les serrer à 47 Nm (35 pi-lb). Remplacer ou resserrer si l’on constate des défauts.	<input type="checkbox"/>	<input type="checkbox"/>

**Tableau 2 – Journal d’inspection et d’entretien**

<b>Date d’inspection :</b>		<b>Inspecté par :</b>	
<b>Composant :</b>	<b>Inspection :</b> (Voir la section 2 : <i>Fréquence d’inspection</i> )	<b>Utilisa- teur</b>	<b>Personne compé- tente</b>
Guides de câble (Figure 1)	Examiner les guides de câble pour la présence de dommages. Rechercher des signes d’usure ou de détérioration de l’uréthane noir. Les guides de câble doivent limiter le mouvement des câbles et les empêcher de toucher l’échelle ou la structure. Les guides de câble doivent être placés à environ 6 à 12 m (20 à 40 pi) le long du câble porteur, ou plus près si nécessaire. Remplacer les pièces défectueuses.	<input type="checkbox"/>	<input type="checkbox"/>
	Examiner les fixations des guides de câble. Les fixations doivent maintenir le guide du câble en position. Les resserrer au besoin.	<input type="checkbox"/>	<input type="checkbox"/>
Câble (Figure 1)	Vérifier le câble pour la présence de corrosion, de pli ou de dommage pouvant affecter la résistance du manchon de câble et empêcher son déplacement le long du câble. S’il y a des entailles ou des bosses dans le câble pour échelle, le câble doit être vérifié par une personne compétente avant son utilisation. Rechercher des signes d’abrasion contre l’échelle ou la structure. Remplacer le câble si l’on constate des défauts.	<input type="checkbox"/>	<input type="checkbox"/>
	S’assurer que la tension est appropriée. La rainure doit être exposée au-dessus du gabarit inférieur (voir la lettre-référence « E », figure 11.1). Il ne devrait pas être possible de baisser la tige de tension à la main. Le câble doit être suffisamment serré pour empêcher tout contact avec l’échelle ou la structure. Retendre le câble, le cas échéant. Ne pas tendre le dispositif trop fermement.	<input type="checkbox"/>	<input type="checkbox"/>
Étiquettes (Figure 9)	S’assurer que toutes les étiquettes sont présentes et entièrement lisibles.	<input type="checkbox"/>	<input type="checkbox"/>
Système antichute individuel et autres équipements	Tout équipement de protection individuelle (EPI) antichute supplémentaire (harnais, dispositif autorétractable, etc.) utilisé avec le système d’ancrage doit être installé et inspecté conformément aux instructions du fabricant.	<input type="checkbox"/>	<input type="checkbox"/>
Structure	Inspecter la structure à laquelle le système est fixé pour s’assurer que les exigences de résistance du tableau 1 sont respectées dans tous les sens de chargement possibles.	<input type="checkbox"/>	<input type="checkbox"/>

<b>Numéro(s) de série :</b>	<b>Date d’achat :</b>
<b>Numéro(s) de modèle :</b>	<b>Date de première utilisation :</b>

<b>Mesures correctives/entretien :</b>	Approuvé par :	Prochaine inspection prévue le :
	Date :	
<b>Mesures correctives/entretien :</b>	Approuvé par :	Prochaine inspection prévue le :
	Date :	
<b>Mesures correctives/entretien :</b>	Approuvé par :	Prochaine inspection prévue le :
	Date :	
<b>Mesures correctives/entretien :</b>	Approuvé par :	Prochaine inspection prévue le :
	Date :	
<b>Mesures correctives/entretien :</b>	Approuvé par :	Prochaine inspection prévue le :
	Date :	
<b>Mesures correctives/entretien :</b>	Approuvé par :	Prochaine inspection prévue le :
	Date :	
<b>Mesures correctives/entretien :</b>	Approuvé par :	Prochaine inspection prévue le :
	Date :	
<b>Mesures correctives/entretien :</b>	Approuvé par :	Prochaine inspection prévue le :
	Date :	
<b>Mesures correctives/entretien :</b>	Approuvé par :	Prochaine inspection prévue le :
	Date :	
<b>Mesures correctives/entretien :</b>	Approuvé par :	Prochaine inspection prévue le :
	Date :	



Vinsamlegast lestu, meðtaktu og fylgdu öllum öryggisupplýsingum sem eru í þessum leiðbeiningum áður en þetta Lóðréttakerfi er notað. EF LEIÐBEININGUM ÞESSUM ER EKKI FYLGT EFTIR GETUR ÞAÐ VALDIÐ ALVARLEGUM MEIÐSLUM EÐA DAUÐA.

Leiðbeiningar þessar verður að afhenda notanda þessa búnaðar. Geymdu þessar leiðbeiningar til að styðjast við í framtíðinni.

## Tilætluð notkun:

Þetta Lóðréttakerfi er ætlað til notkunar sem hluti af fullkomnu verndarkerfi sem verndar manneskjuna gegn falli.

Öll önnur notkun, þ.m.t., en takmarkast ekki við, notkun í afþreyingar- eða íþróttaskyni, notkun við meðhöndlun efna eða önnur notkun sem ekki er lýst í Leiðbeiningum vöru, er ekki samþykkt af 3M og gæti valdið alvarlegum meiðslum, líkamstjóni eða dauða.

Einungis þjálfari notendur á vinnustað skulu nota þennan búnað.

## VIÐVÖRUN

Þetta sveigjanlega kapal-/trausta handriðakerfi er hluti af verndarkerfi. Ætlast er til að allir notendur séu fullþjálfari í öruggri uppsetningu og notkun þeirra eigin fallvarnarkerfis. **Röng notkun þessa búnaðar getur valdið alvarlegum meiðslum eða dauða.** Fyrir rétt val, notkun, uppsetningu, viðhald og þjónustu skaltu lesa þessar leiðbeiningar fyrir vöru og allar ráðleggingar framleiðanda, ræða við yfirmann þinn eða hafa samband við tæknilega þjónustu hjá 3M.

- **Til að lágmarka þá áhættu sem fylgir því að starfa með sveigjanlegu kapal-/traustu handriðakerfi sem getur, ef ekki er komið í veg fyrir það, valdið alvarlegu líkamstjóni eða dauða, skal gera eftirfarandi:**
  - Skoða alla íhluti kerfisins fyrir sérhverja notkun a.m.k. árlega og einnig ef slys eða óhapp hefur átt sér stað. Skoða skal íhluti í samræmi við leiðbeiningar um vöruna.
  - Ef skoðun leiðir í ljós óruggt eða gallað ástand einhvers íhluta kerfisins, skal fjarlægja gallaða íhlutinn úr kerfinu og farga honum.
  - Öll sveigjanleg kapal-/traust handriðakerfi sem hafa komið í veg fyrir fall, eða hafa orðið fyrir miklu álagi skulu þegar tekin úr notkun og alla íhluti kerfisins verður að skoða af hæfum aðila áður en kerfið er tekið aftur í notkun.
  - Ekki tengjast kerfinu á meðan verið er að setja það upp.
  - Tryggðu að þetta kerfi sé merkt með viðeigandi hætti fyrir þann fjölda notenda sem notar það samtímis.
  - Þegar kapallinn er tekinn upp getur hann vafist fljótt í sundur. Notaðu viðeigandi verklag og viðeigandi persónuhlífar þegar kapallinn er tekinn upp.
  - Einungis skal nota samþykkt tengi til að tengja líkamsbeislið við kerfið. Ekki skal nota nein viðbótartengi.
  - Notaðu aðeins kapal sem tilgreindur er og samþykktur í vöruleiðbeiningum.
  - Ekki skal hindra lásvirki skyttu-/slífartækisins. Einungis skal nota tækið til að tengja eða aftengja það við kerfið.
  - Alltaf skal vera með þrjá snertipunkta við klifur. Sjá leiðbeiningar vöru til að fá frekari upplýsingar um rétta klifurtækni.
  - Tryggja skal að öll fallvarnarkerfi/undirkerfi sem eru samsett úr íhlutum mismunandi framleiðenda séu samhæfð og mæti kröfum viðeigandi staðla, þ.m.t. staðlinum ANSI Z359 eða öðrum viðeigandi fallvarnarkóðum, stöðlum eða kröfum. Leitaðu ávallt ráða hjá hæfum og/eða vottuðum aðila áður en þessi kerfi eru notuð.
- **Til að minnka áhættuna sem fylgir því að starfa hátt uppi, sem gæti, ef ekki er komið í veg fyrir það, valdið alvarlegum meiðslum eða dauða:**
  - Tryggðu að heilsa þín og líkamlegt ástand geri þér örugglega kleift að þola allt það álag sem fylgir því að starfa hátt uppi. Ráðfærðu þig við lækni ef þú ert með einhverjar spurningar varðandi hæfni þína til að nota þennan búnað.
  - Aldrei skal fara yfir leyfilega getu fallvarnarbúnaðarins.
  - Aldrei skal fara umfram hámarks lengd frjáls falls sem fallvarnarbúnaðurinn leyfir.
  - Ekki nota neinn fallvarnarbúnað sem bílar við prófun eða við eftirlit, eða ef þú hefur áhyggjur af notkun búnaðarins eða telur að hann henti ekki í það verk sem er fyrir höndum. Hafðu samband við tæknilega þjónustu 3M ef þú ert með einhverjar spurningar.
  - Sum undirkerfi og samsetningar íhluta geta truflað notkun þessa búnaðar. Einungis skal nota tengingar sem eru samhæfðar við þennan búnað. Ráðfærðu þig við 3M fyrir notkun þessa búnaðar ef hann er notaður með íhlutum eða undirkerfum öðrum en þeim sem er lýst í notandaleiðbeiningunum.
  - Nota skal auka varúðarráðstafanir þegar verið er að vinna nálægt tækjabúnaði sem er á hreyfingu (dæmi: á olíuborpollum), nálægt rafmagnshættu, við mjög hátt eða lágt hitastig, við efnahættu, þar sem sprengihætta er eða hættulegar gastegundir, skarpar brúnir, eða undir hlutum sem gætu fallið á þig eða á fallvarnarbúnaðinn sjálfan.
  - Notaðu Arc Flash- eða Hot Works-búnað þegar þú vinnur í mjög heitu umhverfi.
  - Forðastu yfirborðsleti og hluti sem geta skaðað notanda eða búnaðinn.
  - Tryggðu að það sé viðeigandi pláss til að falla þegar þú vinnur hátt uppi.
  - Aldrei breyta eða umbreyta fallvarnarbúnaðinum. Einungis 3M eða aðilar sem hafa skriflegt umboð frá 3M mega gera við þennan búnað.
  - Áður en fallvarnarbúnaður er notaður skaltu tryggja að neyðaráætlun sé til um hvernig bregðast skuli samstundis við ef fall á sér stað.
  - Ef fall á sér stað skal leita læknishjálpar strax fyrir þann starfsmann sem fallið hefur.
  - Ekki má nota líkamsbelti til að stöðva fall. Einungis skal nota líkamsöryggisbelti.
  - Lágmarka skal sveiflur með því að vinna eins beint fyrir neðan festipunktinn og mögulegt er.
  - Ef þjálfun fer fram með þessum búnaði verður að nota annað fallvarnarkerfi, þannig að sá sem er í þjálfun sé ekki í hættu við að falla óvart til jarðar.
  - Alltaf skal nota viðeigandi persónuhlífar þegar verið er að setja upp, nota eða hafa eftirlit með búnaðinum/kerfinu.



Fyrir uppsetningu og notkun búnaðarins skal skrá auðkennisupplýsingar búnaðarins sem eru á auðkennismerkingunni í Eftirlits- og viðhaldsskrá (tafla 2) á bakhlið handbókarinnar.

Gangið ávallt úr skugga um að notuð sé nýjasta útgáfa leiðbeiningahandbóka frá 3M. Uppfærðar leiðbeiningahandbækur er að finna á vefsvæði 3M, einnig má hafa samband við tæknipjónustu 3M.

## VÖRULÝSING:

Á mynd 1 má sjá 3M™ DBI-SALA® Lad-Saf™ stigaöryggiskerfið. Lad-Saf stigaöryggiskerfið er hannað til þess að vernda starfsmann ef hann fellur á meðan hann er að klifra upp fastan stiga eða á sambærilegu klifurvirki. Lad-Saf-kerfið samanstendur af toppfestingu, virkapli, kapalslíf, kapalbraut, kerfismerki og botnfestingu. Toppfestingin (A) er fest efst á stiganum og festir kapalinn (B) ásamt botnfestingunni (F), sem er fest neðst á stiganum. Kapalslífin (C) fer upp og niður eftir kaplinum í samræmi við staðsetningu notandans, og festist við D-hringinn framan á belti notandans. Kapalbrautin (D) tryggir að kapallinn sé á réttum stað. Á kerfismerkinu (E) má sjá mikilvægar öryggisupplýsingar og koma ætti því fyrir á kerfinu eða nálægt því. Sjá má kerfismerkið á mynd 10 merkt „E“.

Á mynd 2 má sjá íhluti Lad-Saf X3 kapalslífar. Kapalslífin samanstendur af efri vals, hliðarplötu sem snýst, handfangi, hlíf, lásstöng, neðri vals, karabínu og láskambi. Efri valsinn (A) festir kapalslífinna við kapalinn ásamt neðri valsinum (F). Hliðarplata sem snýst (B) og handfang (C) opnast til að gera notanda kleift að koma kapalslíf fyrir á kaplinum. Hlífin (D) er aðahluti kapalslífarinnar. Lásstöngin (E) læsir kapalslífinni og kemur í veg fyrir að búnaðurinn opnist fyrir slysi. Láskamburinn (H) heldur kapalslífinni á sínum stað þegar hann er læstur. Karabínan (G) festist við D-hringinn á belti notandans.

Nánari upplýsingar um íhluti Lad-Saf X3 lóðréttrar kapalöryggisslífar og -kerfis má sjá í töflu 1.

**Tafla 1 – Tæknilysing**

Tæknilysing kerfis:				
<b>Uppsetning kerfis:</b>	<b>Uppsetningarleiðbeiningar</b>		<b>Kerfistegund</b>	<b>Kerfislýsing</b>
	5908282		Lóðrét	Sveigjanlegt Lad-Saf kapalöryggiskerfi
	5903435		Lóðrét	Sveigjanlegt Lad-Saf kapalöryggiskerfi með D-snúningshring
<b>Lad-Saf kapalslíf:</b>	<b>Vörunúmer</b>	<b>Virkjunarkraftur</b>	<b>Hámarks lengd við notkun</b>	<b>Lágmarksbrotstyrkur</b>
	6160054	2,0 kN (450 lbf)	102 mm (4,0 to.)	16 kN (3600 lbf)
<b>Afkastageta:</b>	Samanlögð þyngd hvers notanda (fatnaður, verkfæri o.s.frv.) skal vera á bilinu 40 kg til 140 kg (88 til 310 pund). Allt að fjórir notendur geta notað Lad-Saf kerfið samtímis, en aðeins má tengja einn notanda við hverja lóðrétta Lad-Saf X3-kapalöryggisslíf. Ef fleiri notendur eru til staðar verður að nota fleiri kapalslífar.			
<b>Kröfur um festingu:</b>	<b>Fjöldi notenda</b>	<b>Styrkur festingar</b>	<b>Fjöldi notenda</b>	<b>Styrkur festingar</b>
	1	12 kN (2700 lbf)	3	3.940 lbf (17,5 kN)
	2	3.320 lbf (14,8 kN)	4	4.560 lbf (20,3 kN)
<b>Hitastig við notkun:</b>	-40 °C til 60 °C (-40 °F til 140 °F)			
<b>Staðlar:</b>	Lóðrétta Lad-Saf X3-kapalöryggisslífin og -kerfið hafa verið prófuð í samræmi við staðlana sem tilgreindir eru á forsiðu þessara notkunarleiðbeininga.			
<b>Eiginleikar línu:</b>	Aðeins má nota Lad-Saf X3-kapalslífinna með gegnheilum 9,5 mm (3/8 to.) kapli. Bannað er að nota aðra kapla, slíkt getur valdið alvarlegum meiðslum eða dauða.			
	<b>Vörunúmer</b>	<b>Lýsing</b>	<b>Efni</b>	<b>Lágmarksbrotstyrkur</b>
	6104XXX / CE 6134XXX	9,5 mm (3/8 to.), 1 x 7	Galvaníserað stál	15.400 lbf (68,4 kN)
	6105XXX / CE 6135XXX	9,5 mm (3/8 to.), 1 x 7	Ryðfrítt stál	18.000 lbf (80 kN)
	6106XXX / CE 6136XXX	9,5 mm (3/8 to.), 7 x 19	Galvaníserað stál	14.400 lbf (64 kN)
6107XXX / CE 6137XXX	9,5 mm (3/8 to.), 7 x 19	Ryðfrítt stál	12.000 lbf (53,3 kN)	
			<b>Þyngd</b>	
			0,41 kg / m	
			0,27 pund / fet	
			0,41 kg / m	
			0,27 pund / fet	
			0,41 kg / m	
			0,27 pund / fet	

## Tafla 1 – Tæknilýsing

### Tæknilýsing íhluta:

#### Lad-Saf stigaöryggiskerfi:

Mynd 1, tilvísun	Íhlutur	Efni
Ⓐ	Toppfesting	Galvaníserað stál eða ryðfrítt stál
Ⓑ	Kapall	Galvaníserað stál eða ryðfrítt stál
Ⓒ	Kapalslíf	Ryðfrítt stál
Ⓓ	Kapalbraut	Úretan
Ⓔ	Kerfismerki	Ryðfrítt stál
Ⓕ	Botnfesting	Galvaníserað stál eða ryðfrítt stál

#### Lad-Saf kapalslíf:

Mynd 2, tilvísun	Íhlutur	Efni
Ⓐ	Efri vals	Nælon
Ⓑ	Hliðarplata sem snýst	Ryðfrítt stál
Ⓒ	Handfang	Ryðfrítt stál
Ⓓ	Hlíf	Ryðfrítt stál
Ⓔ	Lásstöng	Ryðfrítt stál
Ⓕ	Neðri vals	Nælon
Ⓖ	Karabína	Sinkhúðað stál
Ⓗ	Láskambur	Ryðfrítt stál

## 1.0 VÖRUNOTKUN

- 1.1 TILGANGUR:** Lad-Saf™ stigaöryggiskerfið er hluti af persónulegu fallvarnarkerfi. Þegar kerfið er notað með Lad-Saf™ aftengjanlegri kapalslíf er Lad-Saf stigaöryggiskerfið hannað til þess að vernda starfsmann ef hann fellur á meðan hann er að klifra upp fastan stiga eða á sambærilegu klifurvirkni.

**Aðeins fallstöðvun:** Notið ekki Lad-Saf stigaöryggiskerfið í neinum tilgangi öðrum en til fallstöðvunar.

- 1.2 STAÐLAR:** Stigaöryggiskerfið er í samræmi við innlendan og svæðisbundinn staðal eða staðla sem finna má á forsiðu þessara leiðbeininga. Ef þessi vara er endurseld utan upprunalslandsins skal endursóluaðilinn veita þessar leiðbeiningar á tungumáli landsins þar sem varan verður notuð.
- 1.3 EFTIRLIT:** Notkun Lad-Saf stigaöryggiskerfisins skal vera undir eftirliti hæfs aðila<sup>1</sup>. Uppsetning Lad-Saf stigaöryggiskerfisins verður að fara fram undir eftirliti vottaðs aðila<sup>2</sup>.
- 1.4 ÞJÁLFUN:** Lad-Saf stigaöryggiskerfið þarf að vera sett upp og notað af aðilum sem hafa hlotið þjálfun í réttri notkun þess. Þessa handbók skal nota sem hluta af þjálfun starfsmanna í samræmi við landsbundnar eða svæðisbundnar kröfur. Það er á ábyrgð uppsetningaraðila þessa búnaðar að þeir hafi náð góðum skilningi á leiðbeiningum þessum og að þeir hafi hlotið þjálfun í réttri umhirdu og notkun þessa búnaðar. Einnig er nauðsynlegt að þeir skilji eiginleika búnaðarinnar við notkun, takmarkanir hans, og hvaða afleiðingar það getur haft að nota þennan búnað á rangan hátt.
- 1.5 BJÖRGUNARÁÆTLUN:** Vinnuveitandi verður að hafa sett upp björgunaráætlun við notkun þessa búnaðar og samtengdra undirkerfa og verður að geta hrint henni í framkvæmd og miðlað henni til notenda, aðila með leyfi<sup>3</sup>, og björgunarmanna<sup>4</sup>. Mælt er með að þjálfað björgunarteymi sé á staðnum. Teymismeðlimir ættu að fá búnað og tækni til að framkvæma farsæla björgun. Þjálfun ætti að fara fram með reglubundnum hætti til að tryggja skilvirki við björgun.
- 1.6 EFTIRLITSTÍÐNI:** Stigaöryggiskerfið þarf að skoða af notandanum fyrir sérhverja notkun svo og af hæfum aðila öðrum en notandanum, og ekki má líða meira en ár á milli skoðana.<sup>5</sup> Eftirlitsverkferlum er lýst í „Eftirlits- og viðhaldsskrá“. Niðurstöður eftirlits hvers hæfs aðila skal skrá í eintök af „Eftirlits- og viðhaldsskrá“.
- 1.7 EF FALL HEFUR ÁTT SÉR STAÐ:** Ef Lad-Saf kerfið verður fyrir höggi sem stöðvar fall verður að taka það úr notkun samstundis og merkja það greinilega með „EKKI NOTA“. Að því loknu skal farga Lad-Saf kerfinu og kapalöryggisslífinni eða senda áfram til 3M sem sér um að skipta því út.

## 2.0 KERFISKRÖFUR

- 2.1 FESTINGAR:** Festikröfur eru mismunandi eftir notkun fallvarnar. Það mannvirki sem stigaöryggiskerfið er sett á eða fest við verður að uppfylla festikröfurnar sem tilgreindar eru í töflu 1.
- 2.2 HÆTTA:** Notkun þessa búnaðar á svæðum með umhverfishættu getur krafist viðbótarráðstafana til að koma í veg fyrir meiðsli á notendum eða skemmdir á búnaði. Hættur geta meðal annars verið: hiti, íðefni, ætandi umhverfi, háspennulínur, sprengifimar eða eitraðar lofttegundir, vélbúnaður á hreyfingu, skarpar brúnir eða efni fyrir ofan sem getur fallið á eða komist í snertingu við notandann eða persónulega fallstöðvunarkerfið.
- 2.3 SAMHÆFI KLIFURHJÁLPAR (E. CLIMB ASSIST):** Ekki skal nota afklifurhjálpar (Powered Climb Assist, PCA) ásamt fallstöðvunarkerfi fyrir klifurstiga frá 3M (Climbing Ladder Fall Arrest System, CLFAS), þar á meðal Lad-Saf lóðrétt líflínakerfi (Vertical Lifeline System) og Lad-Saf X2, X3 eða X3+ aftengjanlegri kapalslíf, nema 3M hafi staðfest að afklifurhjálparin samræmist fallstöðvunarkerfi fyrir klifurstiga frá 3M. Ef ekki er farið eftir þessari viðvörðun getur það valdið því að fallstöðvun virki ekki sem skyldi ef fall á sér stað við notkun ósamhæfra PCA- og CLFAS-kerfa. Hafðu samband við tæknilega þjónustu 3M á 3MFallProtectionTech@mmm.com ef þú ert með einhverjar spurningar.

Notkun kerfa til klifurhjálp sem ekki eru samhæf við lóðrétt kerfi (Vertical Systems) frá 3M gæti valdið alvarlegum meiðslum eða dauða.

- 2.4 SAMHÆFI ÍHLUTA:** 3M búnaður er aðeins hannaður til notkunar með 3M-samþykktum íhlutum og undirkerfum. Skiptingar eða endurnýjanir sem fara fram með hlutum eða undirkerfum sem eru ekki samþykkt geta komið í veg fyrir samhæfi búnaðar og geta haft áhrif á öryggi og áreiðanleika heildarkerfisins.
- 2.5 SAMHÆFI TENGJA:** Tengji eru talin samhæf við tengihluta þegar þau hafa verið hönnuð til að vinna saman þannig að stærðir þeirra og lögun valda því ekki að hliðarbúnaður þeirra opnast fyrir slysi, óháð því hvernig þau eru stillt. Hafðu samband við 3M til að fá nánari upplýsingar um samhæfi.

Tengi (krókar, karabínur og D-hringir) verða að geta þolað að minnsta kosti 22,2 kN (5000 lbf). Tengji verða að vera samhæf festingunni eða öðrum kerfishlutum. Ekki nota búnað sem er ekki samhæfur. Tengji sem eru ósamhæf geta losnað fyrir slysi (sjá mynd 4). Tengji verða að vera samhæf að stærð, lögun og styrkleika. Ef tengihluti sem smellukrókur eða karabína er fest við er of lítill eða óreglulegur að lögun gæti ástand komið upp þar sem tengihlutinn beitir afli á hlið smellukróks eða karabínu (A). Þetta afl getur valdið því að hliðið opnast (B) og smellukrókurinn eða karabínan losni frá tengipunktinum (C).

Notkun sjálflæsandi smellukróka og karabína er áskilin samkvæmt ANSI Z359 og OSHA.

**1 Hæfur aðili:** Aðili sem hefur getu til að bera kennsl á núverandi eða fyrirsjáanlega hættu í umhverfinu, eða bera kennsl á vinnuáðstæður sem eru óheilbrigðar, hættulegar eða ógna öryggi starfsmanna, og sem hefur heimild til að grípa til viðeigandi ráðstafana til að sneiða hjá hættunni.

**2 Vottaður aðili:** Aðili með skilgreinda menntun, vottorð eða faglega þekkingu, eða aðili sem hefur, með þekkingu sinni, þjálfun og reynslu, sýnt fram á fullnægjandi getu til að leysa úr vandamálum tengdum fallvörnum og björgunarkerfum að því marki sem OSHA eða aðrir viðeigandi lands- og svæðisbundnar reglugerðir krefjast.

**3 Aðili með leyfi:** Aðili sem er skipaður af vinnuveitanda til að fullnægja skyldum á vinnustað þar sem aðili getur verið í fallhættu.

**4 Björgunarmaður:** Aðili eða aðilar aðrir en sá sem skal bjarga, sem framkvæma björgun með notkun björgunarkerfis.

**5 Eftirlitstíðni:** Erfiðar vinnuáðstæður (óblítt umhverfi, langvarandi notkun, o.s.frv.) geta haft í för með sér tíðari skoðun hæfs aðila.

**2.6 TENGING FRAMKVÆMD:** Aðeins skal nota sjálfæsandi smellukróka og karabínur með þessum búnaði. Tryggðu að öll tengi séu samhæf að stærð, lögun og styrkleika. Ekki nota búnað sem er ekki samhæfur. Tryggðu að öll tengi séu lokuð að fullu og læst.

Tengi 3M (smellukrókar og karabínur) eru aðeins ætluð til notkunar eins og tilgreint er í notkunarleiðbeiningum hvernar vöru. Á mynd 5 má sjá dæmi um ranga tengingu. Ekki tengja smellukróka og karabínur:

- A. Við D-hring sem annað tengi er fest við.
- B. Á þann hátt sem mundi orsaka álag á hliðið. Stóra smellukróka ætti ekki að tengja við D-hringi af hefðbundinni stærð eða álíka hluti sem mun orsaka álag á hliðið ef krókurinn eða D-hringurinn snýst, nema smellukrókurinn sé búinn 16 kN hliði. Athugaðu merkingu smellukróksins til að staðfesta að hann sé viðeigandi fyrir notkun þína.
- C. Við falska tengingu, þegar hlutar sem standa úr smellukrók eða karabínur festast í festingunni, og án sýnilegrar staðfestingar og virðast vera að fullu fastir við festipunktinn.
- D. Við hvort annað.
- E. Beint við belti eða dragreipi eða festingu (nema leiðbeiningar framleiðanda fyrir dragreipi og tengi heimili slíka tengingu).
- F. Við hlut sem er að lögun eða stærð þannig að smellukrókurinn eða karabínur lokast ekki og læsist, eða getur rúllað af.
- G. Á þann hátt sem kemur í veg fyrir að tengið samstillist rétt undir álagi.

### 3.0 UPPSETNING

*Nánari upplýsingar um uppsetningaraðferðir Lad-Saf kerfisins eru í uppsetningarleiðbeiningum vörunnar. Nánari upplýsingar eru í notendahandbók 5908282 eða notendahandbók 5903435.*

**3.1 SKIPULAGNING:** Skipuleggðu notkun þína á Lad-Saf stigaöryggiskerfinu áður en vinna hefst. Íhugaðu alla þætti sem gætu haft áhrif á öryggi, bæði fyrir fall, á meðan fall á sér stað og eftir fall. Hafðu til hliðsjónar allar kröfur, takmarkanir og tæknilýsingar sem tilgreindar eru í kafla 2 og töflu 1.

- Tryggðu að kerfið sé merkt með viðeigandi hætti fyrir þann fjölda notenda sem mega nota það.
- Hætta tengist því að tengjast og aftengjast kerfinu. Notaðu viðbótarfallstöðvun. Tryggðu fullnægjandi festipunkta, lendipalla eða að aðrir þættir séu tiltækir við tengi- og aftengipunkta sem auðvelda örugga færslu í og úr kerfinu.
- Lágmarks fallbil sem nemur 2,0 metrum (7,0 fetum) er nauðsynlegt á milli fóta notandans og yfirborðsins fyrir neðan. Ekki er víst að notandinn sé varinn gegn því að falla á jörðina eða lenda á fyrstu 2 metrunum (7 fetunum) þegar farið er upp, eða á síðustu 2 metrunum (7 fetunum) þegar farið er niður. Notaðu viðeigandi klifuraðferðir (haltu t.d. þriggja punkta snertingu með höndum og fótum) þegar farið er upp eða niður á þeim hluta stigans sem er ekki varinn af Lad-Saf™ kerfinu.
- Nýttu þér viðeigandi öryggisverklag við klifur. Ekki halda á verkfærum eða búnaði. Hafðu hendurnar frjálssar til klifurs. Festu burðarhluti til að koma í veg fyrir að þeir falli á klifuraðila fyrir neðan. Klifraðu eftir þinni færni. Langt klifur getur gert kröfu um hvíldir þegar farið er upp eða niður til að koma í veg fyrir örmögnun. Notaðu viðeigandi búnað fyrir staðsetningu við vinnu við hvíld. **Ekki** klifra í miklum vindi eða mjög slæmu veðri.
- Tryggðu að aðeins einn notandi klifri á milli kapalbrauta.

**3.2 KAPALSLÍF TENGD VIÐ BURÐARKAPAL:** Tengja verður lóðréttu Lad-Saf X3-kaðlöruggishlífinu við 3M Lad-Saf stigaöryggiskerfi fyrir notkun. Sjá mynd 7. Til að tengja Lad-Saf X3 kaðlslífinu við burðarkapalinn á Lad-Saf kerfinu:

1. **Staðsettu slífina þannig að „upp“ örinn á slífinni (I) vísi í uppstefnu.**
2. **Snúðu lásstönginni (E) í ólæsta stöðu.** Mynd 3 sýnir læsta (A) og ólæsta (B) stöðu lásstangar. Lásstöng er á báðum hliðum aftengjanlegu kaðlslífarinnar til þess að hægt sé að nota bæði vinstri og hægri hönd.
3. **Togaðu aftur hliðarplötuna sem snýst (B) í sína ystu stöðu.** Þegar hliðarplatan sem snýst er komin í sína ystu snúningsstöðu, má losa um lásstöngina (E). Láskamburinn (H) er þá að fullu útdreginn.
4. **Snúðu handfanginu (C) alveg í upprétta stöðu.** Það gerir láskambinum kleift að falla til hliðar þannig að hægt sé að setja slífina upp á kapalinn.
5. **Haltu slífinni uppréttu og settu kapalinn (J) inn í gegnum raufina á hlið slífarinnar með lyftihreyfingu upp á við.** Staðsettu kapalinn inni í slífarældinni. Losaðu um handfangið (C), hliðarplötuna sem snýst (B) og lásstöngina (E) til að læsa slífinni á kaplinum. **Tryggðu að lásstöngin (E) sé í læstri stöðu fyrir notkun.**

**3.3 KAPALSLÍFIN TENGD VIÐ BELTIÐ:** Tengja má kaðlslíf og líkamsöryggisbelti saman fyrir eða eftir að kaðlslífinn hefur verið komið fyrir á Lad-Saf kerfinu. Mælt er með viðbótarfallvarnarkerfi þegar tenging og aftenging Lad-Saf kerfisins fer fram. Meðhöndlun á slíf þegar farið er upp eða niður setur notandann í fallhættu. Lad-Saf kerfið má ekki vera í meira en 15° halla (miðað við lóðréttu stefnu) við notkun.

*Ekki má nota annan tengibúnað eða nota búnað (t.d. dragreipi) samhliða tenginu sem kemur með kaðlslífinni. Við notkun skal alltaf nota karabínutengið sem fylgir með kaðlslífinni. Ekki skal nota önnur tengi en þau sem eru frá framleiðanda.*

- **FARIÐ UPP:** Til að fara upp vinnupallana skal klifra upp stiga og viðhalda þriggja punkta snertingu á öllum stundum (með höndum og fótum). Aftengjanlega Lad-Saf X3-kaðlslífin mun fylgja þeim sem klifrar. Burðarkapallinn smellur út úr kapalbrautunum þegar þær mætast. **Ekki meðhöndla eða fjarlægja slífina úr burðarkaplinum þegar hún fer í gegnum kapalbrautirnar eða ef slífin læsist.**
- **FARIÐ NIÐUR:** Til að fara niður vinnupallana skal klifra niður stiga á snurðulausan hátt og viðhalda þriggja punkta snertingu á öllum stundum (með höndum og fótum). Láttu aftengjanlega Lad-Saf X3-kaðlslíf „leiða“ klifrarann niður. Ef farið er niður úr stöðu (t.d. hallað til baka of mikið eða klifað óreglulega) getur það haft í för með sér að slífin læsist á burðarkapalinn. Ef slífin læsist skal klifra örlítið upp þannig að hún aflæsisst og halda síðan áfram að fara niður vinnupallana í stiganum. Endurtengdu burðarkapalinn við kapalbrautirnar eftir að farið er í gegnum hverja kapalbraut. **Ekki meðhöndla eða fjarlægja slífina úr burðarkaplinum þegar hún fer í gegnum kapalbrautirnar eða ef slífin læsist.**
- **AFTENGJA:** Þegar klifri er lokið skal aftengja kaðlslífinu frá kerfinu. Á mynd 2 má sjá útskýringar á íhlutum.
  1. Fjarlægja skal slífina frá kaplinum með því að snúa lásstönginni (E).
  2. Togaðu aftur hliðarplötuna (B) og settu handfangið (C) alveg í upprétta stöðu.
  3. Slífina má nú fjarlægja af kaplinum og geyma á viðeigandi hátt.

### 4.0 NOTKUN

**4.1 FYRIR SÉRHYRJA NOTKUN:** Staðfestið að vinnusvæði og persónulegt fallstöðvunarkerfi (PFAS) uppfylli öll viðmið í kafla 2 og að formleg björgunaráætlun sé til staðar. Skoðaðu Lad-Saf kerfið samkvæmt eftirlitspunktum „Notanda“ sem eru skilgreindir í „Eftirlits- og viðhaldsskránni“ (tafla 2). Ef skoðun leiðir í ljós óörugett eða gallað ástand má ekki nota kerfið. Takið kerfið strax úr notkun og merkið það greinilega með „EKKI NOTA“. Að því loknu skal farga Lad-Saf lóðréttu kaðlöruggishlífinni og -kerfinu eða senda áfram til 3M sem sér um að skipta því út.

**4.2 KERFISTENGINGAR:** Nota verður Lad-Saf kerfið með líkamsöryggisbelti. Líkamsöryggisbeltið skal samræmast ANSI 2359.11, CSA Z259.10, EN 361, eða öðrum viðeigandi landsbundnum eða svæðisbundnum stöðlum. Upplýsingar um rétta stillingu líkamsöryggisbeltis má finna í upplýsingum frá framleiðanda. Til að festa Lad-Saf kerfið við líkamsöryggisbeltið skal tengja karabínu Lad-Saf kerfisins við D-hringinn (A) framan á líkamsöryggisbeltinu. Ekki má nota annað tengi eða D-hring á líkamsöryggisbeltinu.

OSHA 1910.29 og OSHA 1926.1053 gefa upp að lengd tengingarinnar á milli þess sem kerfið á að bera og tengipunktur má ekki vera lengri en 23 cm (9 tommur).

## 5.0 EFTIRLIT

- 5.1 EFTIRLITSTÍÐNI:** Lad-Saf kerfið verður að skoða með því millibili sem skilgreint er í kafla 1. Eftirlitsferlum er lýst í „Eftirlits- og viðhaldsskrá“ (tafla 2). Skoðið alla aðra hluta fallstöðvunarkerfisins í samræmi við tíðni og ferli sem skilgreint er í leiðbeiningum framleiðanda .
- 5.2 GALLAR:** Ef skoðun leiðir í ljós að ástandi búnaðar er ábótavant eða búnaðurinn óöruggur, eða ef grunur leikur á slíku, skal samstundis taka Lad-Saf kerfið úr notkun og merkja það greinilega með „EKKI NOTA“. Að því loknu skal farga Lad-Saf lóðréttu kapalöryggisslífinni og -kerfinu eða senda áfram til 3M sem sér um að skipta því út. Ekki reyna að gera við kerfið.
- 5.3 LÍFTÍMI VÖRU:** Virknitími Lad-Saf kerfisins ræðst af vinnuaðstæðum og viðhaldi. Nota má vöruna áfram svo lengi sem hún stenst skoðunarviðmið.

## 6.0 VIÐHALD, ÞJÓNUSTA OG GEYMSLA

- 6.1 KERFIÐ HREINSAÐ:** Viðhaldsatriði fyrir skoðun er að finna í kafla 5.0. Ef burðarkapallinn fyllist af olíu, feiti, málningu eða öðru efni skal hreinsa hann með volgu sápuvatni. Þurrkaðu af kaplinum með hreinum, þurrum klút. Þurrkaðu ekki með hita. Ekki nota sýru eða ætandi efni sem geta skemmt kapalinn.

Viðbótarviðhald og -viðgerðir þurfa að fara fram á vottaðri þjónustumiðstöð. Vottun þarf að vera skrifleg.

- 6.2 KAPALSÍFÍN HREINSUÐ:** Hreinsa má óhreina lóðréttu Lad-Saf X3-kapalöryggisslíf með eftirfarandi aðferð:
1. Blandaðu saman fjórum hlutum af volgu vatni og einum hluta af mildri hreinsilausn (t.d. „Simple Green“ eða svipaðri lausn).
  2. Dýfðu kapalslífinni á kaf í lausnina og láttu hana liggja alveg í bleyti í blöndunni í 2-3 klukkustundir.
  3. Taktu kapalslífinna úr lausninni og skolaðu hana með volgu vatni í að minnsta kosti 1 mínútu. Gakktu úr skugga um að öll óhreinindi hafi verið fjarlægð.
  4. Hengið kapalinn til þerris í sólarhring fyrir notkun. Nota má kaldan loftblástur.
  5. Sjá mynd 2. Settu dálítið smurefni á stillipunktana (E) eða neðst á hliðarplötuna (B).
  6. Framkvæmdu skoðun fyrir notkun eins og lýst er í kafla 5.3. Staðfestu að engin óhreinindi séu föst inni í slífinni, slíkt gæti haft áhrif á virkni kapalslífarinnar.
- 6.3 GEYMSLA OG FLUTNINGUR:** Geymdu láréttu Lad-Saf X3-kapalöryggisslífinna á köldum, þurrum og hreinum stað fjarri sólarljósi. Forðastu svæði þar sem efnagufur eru til staðar. Skoðuðu vandlega slífina eftir langa geymslu. Flytja skal Lad-Saf kapalslífinna í lokuðu íláti til að verja hana gegn skurðum, raka eða útfjólubláu ljósi. Forðast skal ætandi, of heitt eða kalt umhverfi.
- 6.4 ÞJÓNUSTA:** Aðeins 3M eða aðilar sem hafa skriflegt umboð frá 3M mega gera við þennan búnað. Ef Lad-Saf lóðréttu kapalöryggisslífin og -kerfið hafa orðið fyrir álagi vegna falls eða ef skoðun leiðir í ljós að ástand er óöruggt eða gallað skal samstundis taka kerfið úr notkun og merkja það greinilega með „EKKI NOTA“. Að því loknu skal farga Lad-Saf lóðréttu kapalöryggisslífinni og -kerfinu eða senda áfram til 3M sem sér um að skipta því út.

## 7.0 RFID MERKI

- 7.1 STAÐSETNING:** 3M-varan sem fjallað er um í þessum notkunarleiðbeiningum er með rafmerki (RFID). RFID-merki má nota með RFID-merkjaskanna til að skrá niðurstöður vöruskoðunar. Sjá staðsetningu RFID-merkisins á mynd 8.
- 7.2 FÖRGUN:** Fyrir förgun skal fjarlægja RFID-merkið af vörunni og farga því / endurvinna í samræmi við staðbundnar reglur. Frekari upplýsingar um hvernig á að fjarlægja RFID-merkið eru á vefsvæðinu sem hægt er að fara á með tenglinum hér að neðan.



Ekki má farga vörunni með óflokkuðu heimilissorpi. Yfirstrikaða ruslatunnutáknið sýnir að farga verður öllum raf- og rafeindabúnaði í samræmi við staðbundin lög í gegnum viðeigandi skila- og söfnunarkerfi. Hafið samband við söluaðila eða 3M-fulltrúa á staðnum til að fá frekari upplýsingar.

Frekari upplýsingar má nálgast á vefsvæði okkar: <http://www.3M.com/FallProtection/RFID>



## 8.0 MERKIMIÐAR og MERKINGAR

**8.1 MERKIMIÐAR:** Á mynd 9 má sjá staðsetningu merkimiða á Lad-Saf stigaöryggiskerfinu. Á mynd 10 er hverjum merkimiða lýst nákvæmlega. Merkimiðar sem ekki hafa ákveðinn stað á kerfinu skulu settir upp nálægt Lad-Saf kerfinu. Upplýsingar á hverri merkingu eru eftirfarandi:

<b>A</b>	A) Gerðarnúmer kapalslífar B) Raðnúmer C) Viðvörðunartilkynning - fylgdu öllum notkunarleiðbeiningum. D) Lestu allar notkunarleiðbeiningar. E) Að hámarki einn notandi. F) Viðeigandi staðall G) Upplýsingar um tilkynntan aðila H) Kröfur um þyngd notanda
<b>B</b>	A) „Upp“-stefna kapalslífar fyrir notkun.
<b>C</b>	A) Hámarks leyfileg fjarlægð á milli kerfiskapals og tengipunkts við beisli er 23 cm (9 tommur). B) Ekki má nota kapalslífina ásamt dragreipi. Ekki má breyta kerfinu á nokkurn hátt.
<b>D</b>	Auðkennis-/Lotunúmer (YYMMWWTT): YY = síðustu tveir tölustafir framleiðsluársins. MM = framleiðslumánuður. WW = vika framleiðsluárs. TT = tala einungis til innri notkunar hjá 3M.
<b>E</b>	1) Uppsetningardagur 2) Uppsett af 3) Kröfur um festingu 4) Hámarksfjöldi notenda á kerfi 5) Kerfislengd 6) Dagsetning framleiðslu 7) Dagsetning skoðunar 8) Raðnúmer 9) Kerfisviðvörðun 10) Tegund kapals og samhæfi kapalslífar ásamt vottun skv. stöðlum. 11) RFID-merki (sjá kafla 7.0)



**Tafla 2 – Eftirlits- og viðhaldsskrá**

Eftirlitsdagsetning:		Skoðað af:	
Íhlutur:	Eftirlit: (Sjá kafla 2 varðandi eftirlitstíðni)	Notandi	Hæfur aðili
Kapalslíf (Mynd 2)	Leitið eftir beyglum, sprungum og afmyndunum á handfanginu (C). Allar festingar verða að vera tryggilega festar. Notkun handfangs og kamba verður að vera óheft og snurðulaus. Gormar verða að vera tryggðir og með fullnægjandi styrk til að toga handfangið niður. Handfangið virkar einnig sem orkugleypir og fallvísir. Handfangið er afmyndað hafi það verið notað til fallstöðvunar. Á mynd 11.3 má sjá dæmi um handfang sem ekki hefur verið notað til fallstöðvunar (A) og handfang sem notað hefur verið til fallstöðvunar og er afmyndað (B). Ef afmyndun handfangs er yfir A = 12,7 mm (1/2 tommu) má ekki nota það. Taka þarf slífina úr notkun.	<input type="checkbox"/>	<input type="checkbox"/>
	Skoðaðu hvort hreyfingar lásstangar (E) eru óhindraðar og mjúkar, og að hún smelli aftur í læsta stöðu þegar henni er sleppt.	<input type="checkbox"/>	<input type="checkbox"/>
	Leitið eftir sliti í láskambi (H). Staðfestu að engar skemmdir séu á kömbum.	<input type="checkbox"/>	<input type="checkbox"/>
	Skoðaðu láskambinn (H) með því að halda slífinni lóðréttri með handfangið (C) í uppréttri stöðu og hrista slífina upp og niður til að líkja eftir falli. Kamburinn ætti þá að snúast hindrunarlaust.	<input type="checkbox"/>	<input type="checkbox"/>
	Skoðaðu láskambinn (H) með því að hafa slífina lárétta með handfangið (C) í uppréttri stöðu og leggja slífina á bakhliðina á flötu yfirborði þannig að merkingin Lad-Saf X3 vísi upp. Kamburinn á að snúast að fullu upp á við allt að toppi hlífarinnar.	<input type="checkbox"/>	<input type="checkbox"/>
	Skoða skal virkni hliðarplötunnar (B) með því að toga hana aftur til að opna kapalraufina. Platan má alls ekki snúast. Ef hún snýst án þess að snúa þurfi lásstönginni (E) skal taka slífina úr notkun.	<input type="checkbox"/>	<input type="checkbox"/>
	Leitaðu eftir tæringu í allri einingunni.	<input type="checkbox"/>	<input type="checkbox"/>
Toppfesting (Mynd 11.2)	Kannaðu hvort uppsetning er í samræmi við uppsetningarleiðbeiningarnar fyrir sveigjanlega lóðrétta Lad-Saf™ kapalöryggiskerfið, 3M Fall Protection Manual (fallvarnarhandbók 3M) nr. 5908282 eða nr. 5903435.	<input type="checkbox"/>	<input type="checkbox"/>
	Athugaðu sýnileg merki um skemmdir eða tæringu. Leitaðu að sprungum, sveigjum eða sliti sem gæti haft áhrif á styrk og notkun kerfisins. Skoðaðu rafsúðu. Leitaðu að sprunginni eða brotinni suðu sem gæti haft áhrif á styrk festingarinnar. Skiptu um hluti ef gallar finnast.	<input type="checkbox"/>	<input type="checkbox"/>
	Athugaðu hvort lausar festingar séu til staðar eða hvort festingar vanti sem festa toppfestinguna við vinnupallinn (boltar, klemmuplötur, U-boltar). Ef festingar eru lausar skal endurherða þær við snúningsátak sem finna má í uppsetningarleiðbeiningunum sem fylgja Lad-Saf sveigjanlega kapal öryggiskerfinu.	<input type="checkbox"/>	<input type="checkbox"/>
	Skoðaðu topp plötu með tillit til afmyndunar. Gatið á að vera lágmark 5 mm (0,20 to.) á staðsetningu A.	<input type="checkbox"/>	<input type="checkbox"/>
	Gakktu úr skugga um að stóri pinninn (B) og litli pinninn séu á réttum stað. Gakktu úr skugga um að gormspennnta hliðið (C) sé á réttum stað.	<input type="checkbox"/>	<input type="checkbox"/>
	Skoðaðu stakpunktsakkerið (D) og athugaðu hvort einhversstaðar eru sprungur eða merki um slit. Skoðaðu snúningsvægi festinga. Tryggðu að skinnan sé með sýnilegar merkingar.	<input type="checkbox"/>	<input type="checkbox"/>
Botnfesting (Mynd 11.1)	Kannaðu hvort uppsetning er í samræmi við uppsetningarleiðbeiningarnar fyrir sveigjanlega lóðrétta Lad-Saf™ kapalöryggiskerfið, 3M Fall Protection Manual (fallvarnarhandbók 3M) nr. 5908282 eða nr. 5903435.	<input type="checkbox"/>	<input type="checkbox"/>
	Athugaðu merki um skemmdir eða tæringu. Leitaðu að sprungum, sveigjum eða sliti sem gæti haft áhrif á styrk og notkun kerfisins. Skiptu um hluti ef gallar finnast.	<input type="checkbox"/>	<input type="checkbox"/>
	Athugaðu hvort lausar festingar séu til staðar eða hvort festingar vanti sem festa botnfestinguna við vinnupallinn. Ef festingar eru lausar skal endurherða þær við snúningsátak sem finna má í uppsetningarleiðbeiningunum sem fylgja Lad-Saf™ lóðrétta sveigjanlega kapal stiga-öryggiskerfið.	<input type="checkbox"/>	<input type="checkbox"/>
	Skoðaðu samsetningu strekkingar stangar. Tryggðu að klemmur tygis festi kapalinn tryggilega. Athugaðu snúningsátak klafaklemmunnar; hertu að 47 N-m (35 ft-lb). Skiptu eða endurhertu ef gallar finnast.	<input type="checkbox"/>	<input type="checkbox"/>

**Tafla 2 – Eftirlits- og viðhaldsskrá**

<b>Eftirlitsdagsetning:</b>		<b>Skoðað af:</b>	
<b>Íhlutur:</b>	<b>Eftirlit:</b> (Sjá kafla 2 varðandi <i>eftirlitstíðni</i> )	<b>Notandi</b>	<b>Hæfur aðili</b>
Kapalbrautir (Mynd 1)	Athugaðu með skemmdir á kapalbrautum. Leitaðu að sliti eða skemmtum á svarta úretani. Kapalbrautir ættu að hindra kapal og snertingu hans við stiga/vinnupalla. Kapalbrautir skulu staðsettar u.þ.b. 6-12 m (20-40 fet) eftir burðarkaplinum eða nær ef þörf krefur. Skiptu um hluti ef gallar finnast.	<input type="checkbox"/>	<input type="checkbox"/>
	Athugaðu festingar kapalbrautar. Festingar ættu að festa kapalbraut í stöðu. Hertu eins og þörf krefur.	<input type="checkbox"/>	<input type="checkbox"/>
Kapall (Mynd 1)	Skoðaðu kapalinn og leitaðu að tæringu, sveigjum eða skemmdum sem hafa áhrif á styrk og koma í veg fyrir að kapalslífin færast til á kaplinum. Ef það eru einhverjar rifur eða beyglur í stigakaplinum þarf hæfur aðili að skoða kapalinn fyrir notkun. Skoðaðu merki um tæringu á stiga eða vinnupalli. Skiptu um kapalinn ef gallar finnast.	<input type="checkbox"/>	<input type="checkbox"/>
	Skoðaðu kapalinn með tilliti til þess hvort spennan hans sé rétt. Grópin ætti að vera sýnileg fyrir ofan neðsta sniðmátíð (sjá útskýringu „E“ á mynd 11.1). Ekki á að vera hægt að toga spennustöngina niður með höndunum. Kapallinn ætti að vera nógu hertur til að koma í veg fyrir snertingu við stiga/vinnupalla. Endurhertu kapalinn ef þörf krefur. Ekki strekkja kerfið of mikið.	<input type="checkbox"/>	<input type="checkbox"/>
Merkingar (Mynd 9)	Gakktu úr skugga um að allar merkingar séu til staðar og vel læsilegar.	<input type="checkbox"/>	<input type="checkbox"/>
Persónulegt fallstöðvunarkerfi og annar búnaður	Búnað persónulegs fallvarnarkerfis (PFAS) (beisli, SRD-búnaður o.s.frv.) sem er notaður með festingunni og grunnkerfinu ætti að setja upp og skoða í samræmi við leiðbeiningar framleiðanda.	<input type="checkbox"/>	<input type="checkbox"/>
Mannvirki	Athugaðu að mannvirkið sem kerfið er fest við þarf að uppfylla kröfur um styrkleika sem eru í töflu 1 fyrir álag, sama úr hvaða átt álagið kemur.	<input type="checkbox"/>	<input type="checkbox"/>

<b>Raðnúmer:</b>	<b>Keypt dags.:</b>
<b>Gerðarnúmer:</b>	<b>Dagsetning fyrstu notkunar:</b>

<b>Leiðréttandi aðgerð/viðhald:</b>	Samþykkt af:	Næsta skoðun áætluð:
	Dagsetning:	
<b>Leiðréttandi aðgerð/viðhald:</b>	Samþykkt af:	Næsta skoðun áætluð:
	Dagsetning:	
<b>Leiðréttandi aðgerð/viðhald:</b>	Samþykkt af:	Næsta skoðun áætluð:
	Dagsetning:	
<b>Leiðréttandi aðgerð/viðhald:</b>	Samþykkt af:	Næsta skoðun áætluð:
	Dagsetning:	
<b>Leiðréttandi aðgerð/viðhald:</b>	Samþykkt af:	Næsta skoðun áætluð:
	Dagsetning:	
<b>Leiðréttandi aðgerð/viðhald:</b>	Samþykkt af:	Næsta skoðun áætluð:
	Dagsetning:	
<b>Leiðréttandi aðgerð/viðhald:</b>	Samþykkt af:	Næsta skoðun áætluð:
	Dagsetning:	
<b>Leiðréttandi aðgerð/viðhald:</b>	Samþykkt af:	Næsta skoðun áætluð:
	Dagsetning:	
<b>Leiðréttandi aðgerð/viðhald:</b>	Samþykkt af:	Næsta skoðun áætluð:
	Dagsetning:	
<b>Leiðréttandi aðgerð/viðhald:</b>	Samþykkt af:	Næsta skoðun áætluð:
	Dagsetning:	
<b>Leiðréttandi aðgerð/viðhald:</b>	Samþykkt af:	Næsta skoðun áætluð:
	Dagsetning:	

## IT INFORMAZIONI IN MERITO ALLA SICUREZZA

**Leggere, comprendere e seguire tutte le informazioni sulla sicurezza contenute nelle presenti istruzioni prima di utilizzare questo sistema verticale. IL MANCATO RISPETTO DELLE ISTRUZIONI PUÒ CAUSARE LESIONI GRAVI O MORTE.**

**Fornire le presenti istruzioni all'utente dell'attrezzatura. Conservare queste istruzioni come riferimento futuro.**

### Utilizzo previsto:

Questo sistema verticale deve essere utilizzato come parte di un sistema di protezione anticaduta personale completo.

L'uso per qualsiasi altra applicazione incluse, ma non solo, manipolazione di materiale, attività correlate ricreative o sportive oppure altre attività non descritte nelle istruzioni del prodotto, non è approvato da 3M e può causare gravi lesioni personali o morte.

Il presente dispositivo deve essere utilizzato esclusivamente da utenti formati nelle applicazioni relative all'ambito di lavoro.

## AVVERTENZA

Questo sistema a cavo flessibile/binario rigido fa parte di un sistema di protezione anticaduta personale. Si prevede, pertanto, che tutti gli utenti siano completamente addestrati all'installazione e al funzionamento sicuri del loro sistema di protezione anticaduta personale. **L'uso improprio del presente dispositivo può comportare gravi lesioni o morte.** Per le modalità corrette di selezione, funzionamento, installazione, manutenzione e assistenza, consultare le presenti istruzioni del prodotto e tutte le raccomandazioni fornite dal produttore; altrimenti rivolgersi a un supervisore o contattare l'assistenza tecnica di 3M.

- **Per ridurre i rischi associati all'uso di un sistema a cavo flessibile/binario rigido che, se non evitati, potrebbero causare gravi lesioni personali o morte:**
  - Ispezionare tutti i componenti del sistema prima di ogni uso, almeno una volta all'anno, e dopo qualsiasi evento di caduta. Le ispezioni devono essere eseguite conformemente a quanto indicato nelle istruzioni del prodotto.
  - Qualora un'ispezione riveli una condizione pericolosa o difettosa in un componente del sistema, rimuovere tale componente dal servizio e distruggerlo.
  - Qualsiasi sistema a cavo flessibile/binario rigido che sia stato soggetto a forze di arresto caduta o d'impatto, deve essere rimosso immediatamente dal servizio e tutti i componenti devono essere ispezionati da una persona competente prima di continuarne l'uso.
  - Non collegarsi al sistema mentre lo si sta installando.
  - Assicurarsi che il sistema sia tarato in maniera idonea per il numero di utenti contemporanei.
  - Durante il disimballaggio il cavo può svolgersi rapidamente. Attenersi alle corrette procedure di sicurezza e indossare i dispositivi di protezione individuale idonei al momento di disimballare il cavo.
  - Utilizzare esclusivamente connettori approvati per attaccare un'imbracatura integrale al sistema. Non aggiungere alcun dispositivo di connessione aggiuntivo.
  - Utilizzare solo il cavo specificato e approvato nelle istruzioni del prodotto.
  - Non interferire con l'azione di bloccaggio del dispositivo anticaduta guidato/manicotto. Manipolare il dispositivo solo per attaccarlo e staccarlo dal sistema.
  - Durante la salita mantenere sempre tre punti di contatto. Per ulteriori informazioni sulla tecnica di salita idonea, consultare le istruzioni del prodotto.
  - Assicurarsi che i sistemi/sottosistemi di protezione anticaduta assemblati con componenti realizzati da produttori diversi siano compatibili e soddisfino i requisiti degli standard applicabili, inclusi ANSI Z359 o altri codici, standard o requisiti relativi alla protezione anticaduta pertinenti. Consultare sempre un persona competente e/o qualificata prima di utilizzare questi sistemi.
- **Per ridurre i rischi associati al lavoro in altezza che, se non evitati, potrebbero causare gravi lesioni personali o morte:**
  - Assicurarsi che le proprie condizioni fisiche e di salute permettano una resistenza in completa sicurezza a tutte le forze associate al lavoro in altezza. Consultare il proprio medico in caso di domande relative alla propria capacità d'uso di questa attrezzatura.
  - Non superare mai la capacità consentita della propria attrezzatura di protezione anticaduta.
  - Non superare mai la distanza massima di caduta libera della propria attrezzatura di protezione anticaduta.
  - Non utilizzare mai un'attrezzatura di protezione anticaduta che non abbia superato l'ispezione prima dell'uso o altri controlli programmati oppure in caso di dubbi sull'uso o sull'idoneità dell'attrezzatura in merito all'applicazione. Per eventuali domande, contattare l'assistenza tecnica di 3M.
  - Alcune combinazioni di sottosistemi e componenti potrebbero compromettere il funzionamento di questa attrezzatura. Utilizzare solo collegamenti compatibili. Consultare 3M prima di utilizzare questa attrezzatura in combinazione con componenti o sottosistemi diversi da quelli descritti nelle presenti istruzioni per l'utente.
  - Prestare particolare attenzione in presenza di macchinari in movimento (ad es., il top drive delle torri di perforazione), rischi di carattere elettrico, temperature estreme, rischi di carattere chimico, gas esplosivi o tossici, bordi taglienti oppure al di sotto di materiali sospesi che potrebbero cadere sull'utente o sulla sua attrezzatura di protezione anticaduta.
  - Utilizzare dispositivi Arc Flash o Hot Works quando si lavora in ambienti che presentano temperature elevate.
  - Evitare superfici e oggetti che possano danneggiare l'utente o l'attrezzatura.
  - Durante il lavoro in altezza assicurarsi che ci sia un tirante d'aria di caduta adeguato.
  - Non modificare o alterare mai la propria attrezzatura di protezione anticaduta. Solo 3M o centri con autorizzazione scritta di 3M possono procedere alla riparazione dell'attrezzatura.
  - Prima di utilizzare l'attrezzatura di protezione anticaduta, assicurarsi che esista un piano di salvataggio che permetta un salvataggio immediato nel caso in cui si verifichi un incidente.
  - In caso di un evento di caduta, fare in modo che il lavoratore caduto sia sottoposto immediatamente alle cure di un medico.
  - Non utilizzare una cintura in vita per applicazioni di arresto caduta. Utilizzare esclusivamente un'imbracatura integrale.
  - Ridurre al minimo le cadute con pendolo lavorando il più possibile direttamente sotto il punto di ancoraggio.
  - Durante la formazione con questo dispositivo, deve essere utilizzato un sistema di protezione anticaduta secondario in modo da non esporre l'utente a un pericolo di caduta involontario.
  - Quando si installa, utilizza o ispeziona il dispositivo/sistema, indossare sempre i dispositivi di protezione individuale idonei.

Prima di installare e utilizzare l'attrezzatura, registrare le informazioni di identificazione dell'articolo dall'etichetta identificativa nel Registro di ispezione e manutenzione (Tabella 2) che si trova sul retro del presente manuale.

Assicurarsi sempre di utilizzare l'ultima revisione del manuale di istruzioni 3M. Visitare il sito Web 3M o contattare l'assistenza tecnica 3M per i manuali di istruzioni aggiornati.

### DESCRIZIONE DEL PRODOTTO:

La Figura 1 illustra il Sistema di sicurezza per scale Lad-Saf™ DBI-SALA® di 3M™. Il sistema di sicurezza per scale Lad-Saf è progettato per proteggere un operaio in caso di caduta durante l'utilizzo di scale fisse strutture di salita simili. Il sistema Lad-Saf comprende la staffa superiore, un cavo, il manicotto per cavi, il passacavo, la targhetta di sistema e la staffa inferiore. La staffa superiore (A) è fissata sulla parte superiore della scala e blocca il cavo (B) in abbinamento con la staffa inferiore (F), che è fissata sulla parte inferiore della scala. La manicotto (C) si sposta su e giù per il cavo insieme all'utente e si collega all'anello a D anteriore dell'imbracatura. Il passacavo (D) assicura che il cavo rimanga in posizione. Targhetta del sistema (E) mostra importanti informazioni sulla sicurezza e deve essere posizionata in un punto sul sistema o vicino al sistema. La targhetta del sistema è visibile come etichetta "E" nella Figura 10.

La Figura 2 illustra i componenti del manicotto per cavi del Lad-Saf X3. Il manicotto del cavo è costituito da: rullo superiore, piastra laterale rotante, impugnatura, corpo del manicotto, leva di bloccaggio, rullo inferiore, moschettone e camma di bloccaggio. Il rullo superiore (A) fissa il manicotto al cavo in abbinamento con il rullo inferiore (F). La piastra laterale rotante (B) e l'impugnatura (C) si aprono per consentire il posizionamento del manicotto sul cavo. Il corpo del manicotto (D) costituisce la struttura principale del manicotto del cavo. La leva di bloccaggio (E) blocca il manicotto del cavo e impedisce l'apertura involontaria del dispositivo. La camma di bloccaggio (H) mantiene il manicotto del cavo in posizione quando è bloccato. Il moschettone (G) si attacca all'anello a D anteriore dell'imbracatura dell'utente.

Vedere la Tabella 1 per le specifiche dei componenti del manicotto e del sistema di sicurezza per cavi verticali Lad-Saf X3.

**Tabella 1 – Specifiche**

Specifiche del sistema:					
<b>Installazione del sistema.</b>	<b>Istruzioni per l'installazione</b>	<b>Tipo di sistema</b>	<b>Descrizione del sistema</b>		
	5908282	Verticale	Sistema di sicurezza Lad-Saf con cavo flessibile		
	5903435	Verticale	Sistema di sicurezza Lad-Saf con cavo flessibile con anello a D girevole		
<b>Manicotto per cavi Lad-Saf:</b>	<b>Numero di componente</b>	<b>Forza di attivazione</b>	<b>Lunghezza di apertura massima</b>	<b>Forza di frenata minima</b>	<b>Peso</b>
	6160054	2,0 kN	102 mm	16,0 kN	1,0 kg (2,1 lb.)
<b>Capacità:</b>	Ogni persona deve avere un peso combinato (indumenti, utensili, ecc.) compreso fra 40-140 kg. Il sistema Lad-Saf può sostenere fino a quattro utenti simultaneamente ma ogni manicotto del cavo verticale di sicurezza Lad-Saf X3 può avere un solo utente collegato. Per ulteriori utenti, utilizzare manicotti per cavi aggiuntivi.				
<b>Requisiti di ancoraggio:</b>	<b>Numero di utenti</b>	<b>Forza dell'ancoraggio</b>	<b>Numero di utenti</b>	<b>Forza dell'ancoraggio</b>	
	1	16 kN	3	17,5 kN	
	2	14,8 kN	4	20,3 kN	
<b>Temperatura di servizio:</b>	da -40 °C a 60 °C (da -40 °F a 140 °F)				
<b>Standard:</b>	Il manicotto e il sistema di sicurezza per cavi verticali Lad-Saf X3 sono stati collaudati in conformità con gli standard identificati sulla copertina delle presenti Istruzioni per l'utente.				
<b>Specifiche del cavo:</b>	Il manicotto per cavi Lad-Saf X2 può essere utilizzato solo con un cavo a nucleo pieno da 9,5 mm (3/8"). È proibito l'uso di qualsiasi altro cavo, che potrebbe provocare lesioni gravi o mortali.				
	<b>Numero di componente</b>	<b>Descrizione</b>	<b>Materiale</b>	<b>Forza di frenata minima</b>	<b>Peso</b>
	6104XXX / CE 6134XXX	9,5 mm, 1 x 7	Acciaio zincato	15.400 libbre (68,4 kN)	0,27 libbre / piedi (0,41 kg/m)
	6105XXX / CE 6135XXX	9,5 mm, 1 x 7	Acciaio inossidabile	18.000 libbre (80 kN)	0,27 libbre / piedi (0,41 kg/m)
	6106XXX / CE 6136XXX	9,5 mm, 7 x 19	Acciaio zincato	14.400 libbre (64 kN)	0,27 libbre / piedi (0,41 kg/m)
6107XXX / CE 6137XXX	9,5 mm, 7 x 19	Acciaio inossidabile	12.000 libbre (53,3 kN)	0,27 libbre / piedi (0,41 kg/m)	

**Tabella 1 – Specifiche**

**Specifiche dei componenti:**

**Sistema di sicurezza per scale Lad-Saf:**

<b>Figura di riferimento 1</b>	<b>Componente</b>	<b>Materiali</b>
Ⓐ	Staffa superiore	Acciaio ricoperto o inossidabile
Ⓑ	Cavo	Acciaio ricoperto o inossidabile
Ⓒ	Manicotto per cavo	Acciaio inossidabile
Ⓓ	Passacavo	uretano
Ⓔ	Targhetta del sistema	Acciaio inossidabile
Ⓕ	Staffa inferiore	Acciaio ricoperto o inossidabile

**Manicotto per cavi Lad-Saf:**

<b>Figura 2 di riferimento</b>	<b>Componente</b>	<b>Materiali</b>
Ⓐ	Rullo superiore	Nylon
Ⓑ	Piastra laterale rotante	Acciaio inossidabile
Ⓒ	Impugnatura	Acciaio inossidabile
Ⓓ	Corpo del manicotto	Acciaio inossidabile
Ⓔ	Leva di bloccaggio	Acciaio inossidabile
Ⓕ	Rullo inferiore	Nylon
Ⓖ	Moschettone	Acciaio zincato
Ⓗ	Camma di bloccaggio	Acciaio inossidabile

## 1.0 APPLICAZIONE DELL'ARTICOLO

**1.1 SCOPO:** Questo Sistema di sicurezza per scale Lad-Saf™ fa parte di un sistema di protezione anticaduta personale. Quando viene utilizzato insieme al manicotto rimovibile per cavo Lad-Saf™ (venduto separatamente), il sistema di sicurezza per scale Lad-Saf ha lo scopo di proteggere un operaio in caso di caduta durante l'utilizzo di scale fisse o simili strutture di salita.

**Solo arresto caduta:** Non utilizzare il sistema di sicurezza per scale Lad-Saf per scopi diversi dall'arresto di una caduta.

- 1.2 STANDARD:** il sistema di sicurezza per scale è conforme agli standard nazionali o regionali segnalati nella copertina di queste istruzioni. Se l'articolo viene rivenduto al di fuori del Paese di destinazione originario, il rivenditore dovrà fornire le presenti istruzioni nella lingua del Paese in cui dovrà essere utilizzato l'articolo.
- 1.3 SUPERVISIONE:** L'uso del Sistema di sicurezza per scale Lad-Saf deve essere supervisionato da una persona competente<sup>1</sup>. L'installazione del Sistema di sicurezza per scale Lad-Saf deve essere supervisionata da una persona qualificata<sup>2</sup>.
- 1.4 FORMAZIONE:** Il Sistema di sicurezza per scale Lad-Saf deve essere installato e utilizzato da personale qualificato. Il presente manuale deve essere utilizzato nell'ambito di un programma di formazione dei dipendenti, come richiesto dagli standard locali, nazionali e regionali. È responsabilità degli installatori dell'attrezzatura assicurarsi di avere dimestichezza con queste istruzioni e di conoscere correttamente le procedure di uso e manutenzione, di essere consapevoli delle caratteristiche di funzionamento, dei limiti di applicazione e delle conseguenze di un uso improprio.
- 1.5 PIANO DI SALVATAGGIO:** Durante l'utilizzo della presente attrezzatura e dei sottosistemi di connessione, il responsabile deve disporre di un piano di salvataggio, nonché dei mezzi per implementarlo e comunicarlo a utenti, persone autorizzate<sup>3</sup> e soccorritori<sup>4</sup>. Si consiglia la presenza di una squadra di soccorso addestrata in loco. I membri della squadra devono conoscere le tecniche e disporre dell'attrezzatura necessarie per un soccorso efficace. La formazione deve essere fornita periodicamente per garantire la competenza dei soccorritori.
- 1.6 FREQUENZA DELLE ISPEZIONI:** il sistema di sicurezza per scale deve essere ispezionato dall'utente prima di ciascun utilizzo e da una persona competente diversa dall'utente, almeno una volta l'anno<sup>5</sup>. Le procedure d'ispezione sono descritte nel "Registro di ispezione e manutenzione". I risultati di ciascuna ispezione della persona competente devono essere registrati in copie del "Registro di ispezione e manutenzione".
- 1.7 DOPO UNA CADUTA:** se il Sistema Lad-Saf è stato soggetto alle forze di arresto di una caduta, deve essere rimosso immediatamente dal servizio, contrassegnato con "NON USARE" e distrutto. Il Manicotto e sistema di sicurezza per cavi Lad-Saf deve quindi essere distrutto o inoltrato a 3M per la sostituzione.

## 2.0 REQUISITI DEL SISTEMA

- 2.1 ANCORAGGIO:** i requisiti di ancoraggio variano in base all'applicazione della protezione anticaduta. Struttura su cui è collocato o montato il Sistema di sicurezza per scale che deve rispondere alle specifiche di ancoraggio definite nella Tabella 1.
- 2.2 RISCHI:** l'utilizzo dell'attrezzatura in aree con rischi ambientali può richiedere ulteriori precauzioni per prevenire lesioni all'utente o danneggiamenti all'attrezzatura. I pericoli possono comprendere, a titolo indicativo: calore, sostanze chimiche, ambienti corrosivi, linee ad alta tensione, gas tossici o esplosivi, macchinari in movimento, bordi taglienti o la presenza di materiali al di sopra dell'utente che possono cadere ed entrare in contatto con l'utente o con il sistema d'arresto caduta.
- 2.3 COMPATIBILITÀ CON L'ASCEA ASSISTITA:** Non utilizzare un ausilio motorizzato per l'ascesa (PCA o Powered Climb Assist) con sistema di arresto caduta dalle scale 3M (CLFAS o Climbing Ladder Fall Arrest System), incluso il sistema di sicurezza verticale Lad-Saf e il manicotto rimovibile per cavi Lad-Saf X2, X3 o X3+, a meno che il PCA non sia stato verificato da 3M e reputato compatibile con CLFAS di 3M. La mancata osservanza di questa avvertenza può risultare in un mancato arresto della caduta di un utente dall'alto con l'utilizzo di sistemi non compatibili con PCA e CLFAS incompatibili. Per eventuali domande contattare l'assistenza tecnica 3M all'indirizzo 3MFallProtectionTech@mmm.com.

L'uso di sistemi di ausilio all'arrampicata non compatibili con i sistemi verticali di 3M può provocare lesioni gravi o mortali.

- 2.4 COMPONENTI COMPATIBILI:** l'attrezzatura 3M è progettata solo per l'utilizzo con componenti e sottosistemi approvati da 3M. Eventuali sostituzioni con componenti o sottosistemi non approvati potrebbero compromettere la compatibilità dell'attrezzatura e la sicurezza, nonché l'affidabilità di tutto il sistema.
- 2.5 COMPATIBILITÀ DEL CONNETTORE:** i connettori sono considerati compatibili con gli elementi di collegamento quando sono progettati per essere utilizzati in modo che le rispettive forme e dimensioni non causino l'apertura involontaria dei meccanismi di chiusura, indipendentemente dal modo in cui si orientano. In caso di dubbi sulla compatibilità, contattare 3M. I connettori (ganci, moschettoni e Anelli a D) devono essere in grado di sopportare almeno 22,2 kN (5.000 libbre). I connettori devono essere compatibili con l'ancoraggio o altri componenti del sistema. Non utilizzare attrezzature non compatibili. I connettori non compatibili potrebbero sganciarsi involontariamente (vedere la Figura 4). I connettori devono essere compatibili per dimensioni, forma e potenza. Se l'elemento di collegamento a cui è agganciato un moschettone o un gancio doppia leva ha una forma irregolare o le dimensioni sono inferiori a quanto necessario, l'elemento di collegamento potrebbe applicare una forza al dispositivo di chiusura del gancio doppia leva o del gancio doppia leva (A). Tale forza potrebbe indurre l'apertura del dispositivo di chiusura (B) e, di conseguenza, il moschettone o il gancio doppia leva potrebbe sganciarsi dal punto di collegamento (C).  
I ganci doppia leva e i moschettoni autobloccanti sono previsti in conformità alla norma ANSI Z359 e OSHA.

**1 Persona competente:** Una persona in grado di individuare i rischi esistenti e prevedibili nell'ambiente circostante o condizioni di lavoro malsane, rischiose e pericolose per i dipendenti, autorizzata a prendere immediati provvedimenti per porvi rimedio.

**2 Persona qualificata:** Una persona con laurea, certificato o posizione professionale riconosciuti, o che grazie a una vasta conoscenza, formazione ed esperienza, ha dimostrato con successo la capacità di risolvere o risolvere i problemi in merito alla protezione anticaduta e di soccorso nella misura richiesta dall'OSHA o da normative federali, statali e locali in vigore.

**3 Persona autorizzata:** Persona incaricata dal datore di lavoro di svolgere mansioni in un luogo in cui la persona sarà esposta a pericolo di caduta.

**4 Soccorritore:** Persona o persone diverse dal soggetto a rischio che agiscono per compiere un salvataggio assistito tramite il funzionamento di un sistema di salvataggio.

**5 Frequenza delle ispezioni:** condizioni di lavoro estreme (ambienti proibitivi, uso prolungato e così via) possono richiedere un incremento nella frequenza delle ispezioni da parte della persona competente.

**2.6 REALIZZAZIONE DEI COLLEGAMENTI:** i ganci doppia leva e i moschettoni utilizzati con questa attrezzatura devono disporre di un meccanismo di autobloccaggio. Assicurarsi che i connettori siano di dimensioni, forma e resistenza compatibili. Non utilizzare attrezzature non compatibili. Assicurarsi che tutti i connettori siano completamente chiusi e bloccati.

I connettori 3M (ganci a doppia leva e moschettoni) sono progettati solo per l'utilizzo specificato nelle istruzioni per l'utente di ciascun prodotto. Vedere la Figura 5 per esempi di collegamenti non appropriati. Non collegare i ganci doppia leva e i moschettoni come descritto:

- A. A un anello a D a cui è collegato un altro connettore.
- B. In modo tale da indurre un carico sul dispositivo di chiusura. Non collegare ganci doppia leva con ampia distanza tra i bracci ad anelli a D di dimensioni standard oppure oggetti simili in modo da indurre un carico sul dispositivo di chiusura in caso di torsione o rotazione del gancio o dell'anello a D, a meno che il gancio doppia leva non sia dotato di dispositivo di chiusura da 16 kN (3600 libbre). Controllare la marcatura sul proprio gancio doppia leva per verificarne l'idoneità per l'applicazione prevista.
- C. In un falso aggancio, dove le caratteristiche che sporgono dal connettore a scatto o dal gancio doppia leva si agganciano all'ancoraggio e senza conferma visiva che attesti il completo aggancio al punto di ancoraggio.
- D. Uno all'altro.
- E. Direttamente al nastro, al cordino di sicurezza o al collegamento diretto, a meno che le istruzioni del produttore relative al cordino di sicurezza e al connettore non consentano specificatamente tale collegamento.
- F. A qualsiasi oggetto di forma o dimensione tale da impedire la chiusura e il blocco del connettore a scatto o del gancio doppia leva o di causare il lancio.
- G. In un modo che non consente al connettore di allinearsi correttamente quando sotto carica.



### 3.0 INSTALLAZIONE

Per ulteriori informazioni sulle procedure di installazione del sistema Lad-Saf, consultare le Istruzioni per l'installazione del prodotto. Per ulteriori informazioni vedere IFU 5908282 o IFU 5903435.

**3.1 PIANIFICAZIONE:** Prima di iniziare a lavorare, pianifica l'utilizzo del sistema di sicurezza per scale Lad-Saf. Considerare tutti i fattori che possono influire sulla propria sicurezza prima, durante e dopo una caduta. Prendere in considerazione tutti i requisiti, le limitazioni e le specifiche definiti nella Sezione 2 e nella Tabella 1.

- Assicurarsi che il sistema sia omologato per il numero di utenti richiesto.
- Considerare i rischi associati al collegamento e allo scollegamento dal sistema. Utilizzare una protezione secondaria per l'arresto caduta. Verificare che punti di ancoraggio, piattaforme di atterraggio e altri mezzi conformi siano disponibili nei punti di connessione e sconnessione, per garantire transizioni sicure verso e dal sistema.
- È necessario un tirante d'aria di caduta minimo di 2 m tra i piedi dell'utente e la superficie sottostante. L'utente non può essere protetto dall'impatto con il suolo o atterraggio durante i primi 2 m di salita o gli ultimi 2 m di discesa. Osservare le corrette procedure di salita (ad esempio mantenere tre punti di contatto con mani e piedi) nella salita o nella discesa di qualsiasi porzione della scala non protetta da sistema Lad-Saf™.
- Attenersi alle corrette procedure di sicurezza durante la salita. Non trasportare utensili o equipaggiamento in mano. Tenere le mani libere per la salita. Fissare gli strumenti trasportati per evitare la caduta degli stessi sugli operatori sottostanti. Risalire secondo le proprie capacità. Le lunghe risalite potrebbero richiedere diverse pause durante l'ascesa e la discesa per evitare la spossatezza. Utilizzare equipaggiamento adeguato di posizionamento sul lavoro per le pause. **non** salire in caso di forte vento o condizioni meteorologiche estreme.
- Assicurarsi che solo un utente salga tra i passacavi.

**3.2 COLLEGAMENTO DEL MANICOTTO AL CAVO PORTANTE:** Per essere utilizzato, il manicotto di sicurezza per cavi verticali Lad-Saf X3 deve essere collegato a un sistema di sicurezza per scala Lad-Saf 3M. Vedere la Figura 7 per riferimento. Per collegare il manicotto per cavi Lad-Saf X3 al cavo portante del sistema Lad-Saf:

1. **Posizionare il manicotto in modo che la freccia "alto" sul manicotto stesso (I) indichi la direzione di ascesa.**
2. **Portare la leva di bloccaggio (E) in posizione di sblocco.** La Figura 3 mostra le posizioni di blocco (A) e sblocco (B) della leva di bloccaggio. La leva di bloccaggio è presente su entrambe le estremità del manicotto rimovibile per cavo per consentire operazioni con la mano sia dal lato destro sia dal lato sinistro.
3. **Tirare la piastra laterale rotante all'indietro (B) fino alla posizione più lontana.** Una volta che la piastra laterale rotante è nella posizione più lontana, è possibile sbloccare la leva di bloccaggio (E). La camma (H) sarà completamente estesa.
4. **Ruotare l'impugnatura (C) in posizione completamente eretta.** Questo consentirà alla camma di bloccaggio di scendere e allontanarsi dalla sede per poter installare il manicotto sul cavo.
5. **Tenere il manicotto in posizione eretta e inserire il cavo (J) attraverso la feritoia sul lato del manicotto con un movimento di sollevamento verso l'alto.** Posizionare il cavo nell'incavo del manicotto. Rilasciare l'impugnatura (C), la piastra laterale rotante (B) e la leva di bloccaggio (E) per bloccare il manicotto sul cavo. **Prima dell'uso, verificare che la leva di bloccaggio (E) si trovi in posizione di blocco.**

**3.3 COLLEGAMENTO DEL MANICOTTO AL CAVO DELL'IMBRACATURA:** Il collegamento fra il manicotto e l'imbracatura integrale può essere eseguito prima o dopo aver installato il manicotto del cavo sul sistema Lad-Saf. Si consiglia un sistema di protezione anticaduta secondario durante la connessione o la disconnessione dal sistema Lad-Saf. La manipolazione del manicotto durante l'ascesa o la discesa espone l'utente al rischio di caduta. In ogni momento durante l'uso, il sistema Lad-Saf deve avere un angolo massimo di 15° dalla verticale

Non utilizzare altri dispositivi di collegamento o combinati (ad esempio cordino) con il connettore fornito insieme al manicotto per cavi. Utilizzare sempre il connettore del moschettone in dotazione con il manicotto per cavi. Non sostituirlo con altri connettori.

- **ASCESA:** per l'ascesa lungo la struttura, salire mantenendo sempre tre punti di contatto (con mani e piedi). Il manicotto rimovibile per cavo Lad-Saf X3 seguirà l'utente. Il cavo portante uscirà dai passacavi quando i due elementi verranno a contatto. **Non manipolare o rimuovere il manicotto dal cavo portante quando si attraversano i passacavi o se il manicotto si blocca.**
- **DISCESA:** per la discesa lungo la struttura, scendere in modo fluido mantenendo sempre tre punti di contatto (con mani e piedi). Lasciare che il manicotto rimovibile per cavo Lad-Saf X3 "guidi" l'utente. Una discesa fuori posizione (ad es., se ci si sporge troppo indietro o si procede in modo incostante) può causare il blocco del manicotto sul cavo portante. Se il manicotto si blocca, muoversi leggermente verso l'alto per rilasciarlo, quindi continuare a scendere dalla struttura. Reinscrivere il cavo portante nei passacavi dopo aver superato ciascuno di essi. **Non manipolare o rimuovere il manicotto dal cavo portante quando si attraversano i passacavi o se il manicotto si blocca.**
- **SCOLLEGARE:** Al termine della salita, scollegare il manicotto per cavi dal sistema. Vedere la Figura 2 per i riferimenti dei componenti.
  1. Rimuovere il manicotto dal cavo ruotando la leva di bloccaggio (E).
  2. Tirare indietro la piastra laterale (B) e far ruotare l'impugnatura (C) in posizione completamente eretta.
  3. È ora possibile rimuovere il manicotto dal cavo e riporlo correttamente.

### 4.0 USO

**4.1 PRIMA DI CIASCUN UTILIZZO:** verificare che la propria area di lavoro e il sistema di protezione anticaduta soddisfino tutti i criteri definiti nella Sezione 2 e che sia messo in atto un piano formale di salvataggio. Ispezionare il sistema Lad-Saf in base ai punti di ispezione "utente" indicati nel "Registro di ispezione e manutenzione" (Tabella 2). Non utilizzare il sistema se l'ispezione rivela una condizione pericolosa o difettosa. Rimuovere immediatamente il sistema dal servizio e contrassegnarlo chiaramente con "NON UTILIZZARE". Il Manicotto e sistema di sicurezza per cavi verticali Lad-Saf deve quindi essere distrutto o inviato a 3M per la sostituzione.

**4.2 CONNESSIONI DEL SISTEMA:** Il sistema Lad-Saf deve essere utilizzato con un'imbracatura integrale. L'imbracatura integrale secondo gli standard ANSI 2359.11, CSA Z259.10, EN 361 o altri standard nazionali, regionali o locali in vigore. Per un corretto montaggio dell'imbracatura integrale, consultare le istruzioni del produttore. Per connettersi all'imbracatura integrale, collegare il moschettone del sistema Lad-Saf all'anello a D anteriore (A) dell'imbracatura integrale. È vietato il collegamento con qualsiasi altro connettore o anello a D sull'imbracatura integrale.

*Gli standard OSHA 1910.29 e OSHA 1926.1053 stabiliscono che la lunghezza del collegamento tra il cavo portante e il punto di attacco non deve superare i 23 cm.*

## 5.0 ISPEZIONE

**5.1 FREQUENZA DELLE ISPEZIONI:** il sistema Lad-Saf deve essere ispezionato secondo gli intervalli definiti nella Sezione 1. Le procedure d'ispezione sono descritte nel "Registro di ispezione e manutenzione" (Tabella 2). Ispezionare tutti gli altri componenti del sistema di protezione anticaduta seguendo la frequenza e le procedure indicate nelle istruzioni del produttore.

**5.2 DIFETTI:** Se l'ispezione rivela una condizione di non sicurezza o difetto, o in caso di dubbi sulle sue condizioni di uso in sicurezza, rimuovere immediatamente il Lad-Saf dal servizio e contrassegnarlo chiaramente con la scritta "NON UTILIZZARE". Il Manicotto e sistema di sicurezza per cavi verticali Lad-Saf deve quindi essere distrutto o inviato a 3M per la sostituzione. Non cercare di riparare il sistema.

**5.3 DURATA DEL PRODOTTO:** La durata operativa del sistema Lad-Saf dipende dalle condizioni di lavoro e dalla manutenzione. L'articolo può rimanere in servizio, finché è in grado di soddisfare i criteri di ispezione.

## 6.0 MANUTENZIONE, ASSISTENZA, STOCCAGGIO

**6.1 PULIZIA DEL SISTEMA:** Per maggiori informazioni in merito alla manutenzione e all'ispezione, consultare la sezione 5.0. Se il cavo portante dovesse sporcarsi notevolmente con olio, grasso, vernice o altre sostanze, pulirlo con acqua tiepida saponata. Pulire il cavo con un panno pulito e asciutto. Non asciugare applicando calore. Non usare acidi o sostanze caustiche che possono danneggiare il cavo.

*la manutenzione e gli interventi aggiuntivi devono essere effettuati da un centro manutenzioni autorizzato. L'autorizzazione deve essere fornita in forma scritta.*

**6.2 PULIZIA DEL MANICOTTO DEL CAVO:** Il manicotto di sicurezza per cavi verticali Lad-Saf X3 sporco può essere pulito utilizzando la seguente procedura:

1. Mescolare quattro parti di acqua calda con una parte di soluzione detergente delicata (ad esempio Simple Green o soluzione simile).
2. Immergere il manicotto per cavi nella soluzione e lasciarlo nella miscela per 2-3 ore.
3. Rimuovere il manicotto per cavi dalla soluzione e sciacquarlo con acqua calda per almeno 1 minuto. Assicurarsi di rimuovere l'eventuale accumulo di sporco in eccesso.
4. Prima dell'uso, lasciare asciugare all'aria il cavo per 24 ore. È possibile utilizzare aria fredda direzionata.
5. Vedere la Figura 2 per riferimento. Applicare una piccola quantità di lubrificante sui punti di rotazione (E) o alla base della piastra laterale (B).
6. Completare l'ispezione pre-utilizzo come specificato nella Sezione 5.3. Verificare che non si depositino internamente detriti, il che potrebbe influire sul funzionamento del manicotto per cavi.

**6.3 CONSERVAZIONE E TRASPORTO:** Conservare il manicotto di sicurezza per cavi verticali Lad-Saf X3 in un ambiente fresco, asciutto e pulito, lontano da luce solare diretta. Evitare ambienti in cui siano presenti vapori chimici. Dopo un lungo periodo di inutilizzo, ispezionare accuratamente il manicotto.

Trasportare il manicotto per cavi Lad-Saf imballato in una custodia per proteggerlo da tagli, umidità o luce ultravioletta. Evitare atmosfere corrosive, surriscaldate o eccessivamente fredde.

**6.4 MANUTENZIONE:** Solo 3M o i centri autorizzati per iscritto da 3M possono procedere alla riparazione di questa attrezzatura. Se il manicotto e il sistema di sicurezza per cavi verticali Lad-Saf sono stati soggetti a forza di caduta o l'ispezione rivela condizioni di non sicurezza o difetto, rimuovere immediatamente il sistema dal servizio e contrassegnarlo chiaramente "NON UTILIZZARE". Il Manicotto e sistema di sicurezza per cavi verticali Lad-Saf deve quindi essere distrutto o inviato a 3M per la sostituzione.

## 7.0 ETICHETTA RFID

**7.1 POSIZIONE:** Il prodotto 3M descritto in queste istruzioni per l'uso è dotato di un'etichetta per l'identificazione a radiofrequenza (RFID). Le etichette RFID possono essere utilizzate in abbinamento a uno scanner per etichette RFID, in modo da registrare dei risultati delle ispezioni del prodotto. Vedere la Figura 8 per la posizione dell'etichetta RFID.

**7.2 SMALTIMENTO:** prima di eseguire lo smaltimento di questo prodotto, rimuovere l'etichetta RFID e smaltire/riciclare secondo le normative locali. Per ulteriori informazioni sulla modalità di rimozione dell'etichetta RFID, consultare il sito Web sul collegamento che segue.



Non smaltire l'articolo come rifiuto urbano indifferenziato. Il simbolo di cassonetto barrato indica che tutte le AEE (Apparecchiature elettriche ed elettroniche) devono essere smaltite secondo la legge locale attraverso i sistemi di restituzione e raccolta disponibili. Per ulteriori informazioni, contattare il proprio rivenditore o il rappresentante 3M locale.

Per ulteriori informazioni, visitare il nostro sito Web: <http://www.3M.com/FallProtection/RFID>

## 8.0 ETICHETTE e CONTRASSEGNI

**8.1 ETICHETTE:** La Figura 9 illustra le posizioni delle etichette sul sistema di sicurezza per scale Lad-Saf. La Figura 10 illustra ogni etichetta in dettaglio. Le etichette senza una posizione elencata sul sistema devono essere posizionate vicino al sistema Lad-Saf. Su ogni etichetta sono presenti le seguenti informazioni:

<b>A</b>	A) Numero modello del manicotto del cavo B) Numero di serie C) Avvertenze - Seguire tutte le istruzioni per l'uso. D) Leggere tutte le istruzioni per l'operatore. E) Massimo un utente. F) Norma applicabile G) Dettaglio corpo notificato H) Requisiti di peso dell'utente
<b>B</b>	A) Orientamento "verso l'alto" per l'utilizzo del manicotto per cavo.
<b>C</b>	A) La distanza massima consentita fra il cavo del sistema e il punto di attacco dell'imbracatura è di 23 cm. B) Non utilizzare il manicotto per cavo con un cordino. Non modificare il sistema in alcun modo.
<b>D</b>	Numero ID/lotto (AAMMSSTT): AA = ultime due cifre dell'anno di produzione. MM = mese di produzione. SS = settimana dell'anno di produzione. TT = solo per uso interno 3M.
<b>E</b>	1) Data di installazione 2) Installato da 3) Requisiti dell'ancoraggio 4) Numero massimo di utenti per sistema 5) Lunghezza del sistema 6) Data di produzione 7) Data di ispezione 8) Numero di serie 9) Avvertenze di sistema 10) Tipo di cavo e matrice di compatibilità del manicotto, insieme alla certificazione secondo gli standard. 11) Tag RFID (vedere Sezione 7.0)

**Tabella 2 - Registro di ispezione e manutenzione**

Data di ispezione:		Ispezionato da:	
Componente:	Ispezione: (vedere la Sezione 2 per la <i>Frequenza delle ispezioni</i> )	Operatore	Persona competente
Manicotto per cavo (Figura 2)	Ispezionare l'impugnatura (C) per verificare che non siano presenti piegamenti, crepe e deformità. Tutti i dispositivi di fissaggio devono essere fissati saldamente. L'impugnatura e la camma devono potersi muovere in modo fluido e scorrevole. Le molle devono essere fissate saldamente e disporre di sufficiente resistenza per abbassare l'impugnatura. L'impugnatura funge anche da assorbitore di energia e indicatore di caduta. L'impugnatura si deformerà se è stata utilizzata per l'arresto caduta. La Figura 11.3 mostra un esempio di impugnatura non utilizzata per l'arresto caduta (A) e un'impugnatura utilizzata per l'arresto caduta e deformata (B). Se l'impugnatura è deformata per più di A = 12,7 mm, non utilizzarla. Il manicotto deve essere messo fuori servizio.	<input type="checkbox"/>	<input type="checkbox"/>
	Ispezionare la leva di bloccaggio (E) per verificare che sia possibile azionarla agevolmente e accertarsi che, una volta rilasciata, ritorni alla posizione di bloccaggio.	<input type="checkbox"/>	<input type="checkbox"/>
	Ispezionare la camma di bloccaggio (H) per verificare che non ci siano segni di usura. Confermare che non vi sono danni alla camma.	<input type="checkbox"/>	<input type="checkbox"/>
	Ispezionare la camma di bloccaggio (H) reggendo il manicotto in verticale con l'impugnatura (C) in posizione eretta e agitando il manicotto verticalmente per simulare una caduta. La camma deve ruotare liberamente.	<input type="checkbox"/>	<input type="checkbox"/>
	Ispezionare la camma di bloccaggio (H) posizionando il manicotto in orizzontale con l'impugnatura (C) in posizione eretta e collocando il manicotto con il lato posteriore su una superficie piana e con l'etichetta Lad-Saf X3 rivolta verso l'alto. La camma deve ruotare del tutto verso l'alto fino alla parte superiore del manicotto.	<input type="checkbox"/>	<input type="checkbox"/>
	Ispezionare il funzionamento della piastra laterale (B) tirandola indietro per tentare di aprire la feritoia per il cavo. Non deve ruotare. Se ruota senza che sia necessario ruotare la leva di bloccaggio (E), mettere fuori servizio il manicotto.	<input type="checkbox"/>	<input type="checkbox"/>
	Verificare la presenza di corrosione sull'intera unità.	<input type="checkbox"/>	<input type="checkbox"/>
Staffa superiore (Figura 11,2)	Verificare che l'installazione sia conforme alle istruzioni di installazione per i sistemi di sicurezza verticali con cavo flessibile Lad-Saf™ e al manuale 3M Fall Protection n. 5908282 o n. 5903435.	<input type="checkbox"/>	<input type="checkbox"/>
	Verificare se vi sono danni o corrosione visibili. Assicurarsi che non vi siano crepe, piegamenti o segni di usura che potrebbero compromettere l'uso e le funzionalità del sistema. Ispezionare le saldature. Cercare eventuali saldature crepate o spezzate che possono influire sulla resistenza della staffa. Sostituire il pezzo in caso di difetti.	<input type="checkbox"/>	<input type="checkbox"/>
	Verificare se vi sono dispositivi di fissaggio allentati o assenti per il fissaggio della staffa superiore alla struttura (bulloni, piastre a morsa, bulloni a U). Se i dispositivi di fissaggio sono allentati, serrare secondo necessità alle coppie di serraggio indicate nelle istruzioni di installazione fornite con il sistema di sicurezza Lad-Saf con cavo flessibile.	<input type="checkbox"/>	<input type="checkbox"/>
	Ispezionare la piastra superiore per assicurarsi che non sia deformata. Il gioco deve essere di minimo 5 mm in corrispondenza del punto A.	<input type="checkbox"/>	<input type="checkbox"/>
	Assicurarsi che sia il perno grande (B) sia il perno piccolo siano in posizione. Assicurarsi che la chiusura a molla (C) sia nella posizione appropriata.	<input type="checkbox"/>	<input type="checkbox"/>
	Ispezionare il dispositivo di ancoraggio singolo (D) per verificare che non siano presenti fessurazioni o segni di danneggiamento. Ispezionare la coppia di serraggio del dispositivo di fissaggio. Verificare che i contrassegni sulla rondella siano visibili.	<input type="checkbox"/>	<input type="checkbox"/>
Staffa inferiore (Figura 11,1)	Verificare che l'installazione sia conforme alle istruzioni di installazione per i sistemi di sicurezza verticali con cavo flessibile Lad-Saf™ e al manuale 3M Fall Protection n. 5908282 o n. 5903435.	<input type="checkbox"/>	<input type="checkbox"/>
	Verificare se vi sono danni o corrosione. Assicurarsi che non vi siano crepe, piegamenti o segni di usura che potrebbero compromettere l'uso e le funzionalità del sistema. Sostituire il pezzo in caso di difetti.	<input type="checkbox"/>	<input type="checkbox"/>
	Verificare se vi sono dispositivi di fissaggio allentati o assenti per il fissaggio della staffa inferiore alla struttura. Se i dispositivi di fissaggio sono allentati, serrare secondo necessità alle coppie di serraggio indicate nelle istruzioni di installazione fornite con il sistema di sicurezza Lad-Saf con scala a cavo flessibile.	<input type="checkbox"/>	<input type="checkbox"/>
	Ispezionare il gruppo dell'asta di tensione. Accertarsi che i fermagli a sella fissino saldamente il cavo. Verificare la coppia di serraggio dei fermagli a sella; serrare a 47 N-m. Sostituire o serrare di nuovo il pezzo in caso di difetti.	<input type="checkbox"/>	<input type="checkbox"/>

**Tabella 2 - Registro di ispezione e manutenzione**

<b>Data di ispezione:</b>		<b>Ispezionato da:</b>	
<b>Componente:</b>	<b>Ispezione:</b> (vedere la Sezione 2 per la <i>Frequenza delle ispezioni</i> )	<b>Operatore</b>	<b>Persona competente</b>
Passacavi (Figura 1)	Verificare se sono presenti danni sui passacavi. Verificare la presenza di usura o danni nelle parti in uretano nero. I passacavi devono trattenere il cavo e impedire il contatto tra il cavo e la scala/struttura. I passacavi devono essere posizionati a circa 6-12 m (20-40 piedi) lungo il cavo portante o più vicino se necessario. Sostituire il pezzo in caso di difetti.	<input type="checkbox"/>	<input type="checkbox"/>
	Controllare i dispositivi di fissaggio dei passacavi. I fissaggi devono trattenere saldamente in posizione i passacavi. Serrare secondo necessità.	<input type="checkbox"/>	<input type="checkbox"/>
Cavo (Figura 1)	Ispezionare il cavo e verificare che sia privo di corrosione, pieghe o altro genere di danni che impedirebbe al manicotto di scorrere lungo il cavo. In caso di intaccature o piegature del cavo della scala, il cavo deve essere ispezionato da persona competente prima dell'uso. Ispezionare e verificare la presenza di segni di abrasione contro la scala o struttura. Sostituire il cavo in caso di difetti.	<input type="checkbox"/>	<input type="checkbox"/>
	Verificare che la tensione sia corretta. La scanalatura deve essere esposta sopra il modello inferiore (vedere didascalia "E", Figura 11.1). Non dovrebbe essere possibile tirare verso il basso l'asta di tensione manualmente. Il cavo deve essere sufficientemente teso da impedire il contatto con la scala/struttura. Tendere nuovamente il cavo se necessario. Non tendere eccessivamente il sistema.	<input type="checkbox"/>	<input type="checkbox"/>
Etichette (Figura 9)	Assicurarsi che tutte le etichette sono presenti e completamente leggibili.	<input type="checkbox"/>	<input type="checkbox"/>
Sistemi di protezione anticaduta e altra attrezzatura	Le apparecchiature aggiuntive del sistema di protezione anticaduta (imbracatura, SRD, ecc.) utilizzate insieme al sistema di ancoraggio devono essere installate e ispezionate conformemente alle istruzioni del produttore.	<input type="checkbox"/>	<input type="checkbox"/>
Struttura	Verificare che la struttura a cui è collegato il sistema sia conforme ai requisiti di resistenza della Tabella 1 in tutte le direzioni di carico possibili.	<input type="checkbox"/>	<input type="checkbox"/>

<b>Numeri di serie:</b>	<b>Data di acquisto:</b>
<b>Numeri di modello:</b>	<b>Data del primo utilizzo:</b>

<b>Azione correttiva/Manutenzione:</b>	Approvato da:	Scadenza prossima ispezione:
	Data:	
<b>Azione correttiva/Manutenzione:</b>	Approvato da:	Scadenza prossima ispezione:
	Data:	
<b>Azione correttiva/Manutenzione:</b>	Approvato da:	Scadenza prossima ispezione:
	Data:	
<b>Azione correttiva/Manutenzione:</b>	Approvato da:	Scadenza prossima ispezione:
	Data:	
<b>Azione correttiva/Manutenzione:</b>	Approvato da:	Scadenza prossima ispezione:
	Data:	
<b>Azione correttiva/Manutenzione:</b>	Approvato da:	Scadenza prossima ispezione:
	Data:	
<b>Azione correttiva/Manutenzione:</b>	Approvato da:	Scadenza prossima ispezione:
	Data:	
<b>Azione correttiva/Manutenzione:</b>	Approvato da:	Scadenza prossima ispezione:
	Data:	
<b>Azione correttiva/Manutenzione:</b>	Approvato da:	Scadenza prossima ispezione:
	Data:	
<b>Azione correttiva/Manutenzione:</b>	Approvato da:	Scadenza prossima ispezione:
	Data:	
<b>Azione correttiva/Manutenzione:</b>	Approvato da:	Scadenza prossima ispezione:
	Data:	

本垂直親綱シリーズを使用する前に、本書に記載されているすべての安全に関する情報をお読みになり、理解したうえで、遵守してください。従わずに使用すると、重傷を負ったり死亡に至ったりするおそれがあります。

本書は本製品の使用者に配布してください。また、本書は大切に保管してください。

## 用途：

本垂直親綱シリーズは、個人用墜落防止システムの一部として使用することを想定しています。

取扱説明書に記載されていない用途は、3Mによって認められていません。たとえば資材運搬、レクリエーションやスポーツ関連、その他の用途に使用しないでください。誤って使用すると、重傷を負ったり死亡に至ったりするおそれがあります。

本製品は労働安全衛生法の対象作業に対して、トレーニングを受けた使用者のみが使用することを想定しています。

## 警告

本垂直親綱シリーズは、個人用墜落防止システムの一部です。すべての使用者は、個人用墜落防止システムの安全な設置や操作について、十分なトレーニングを受けることが求められます。本製品を誤って使用すると、重傷を負ったり死亡に至ったりするおそれがあります。適切な製品の選定、使用、取り付け方法、保守、修理については、取扱説明書や製造元の推奨事項を参照し、管理者の指示を仰ぐか、3M安全衛生製品事業部までお問い合わせください。

- 垂直親綱シリーズを使用する作業には、重傷を負ったり死亡したりするリスクが伴います。リスクを軽減するために以下のことに注意してください。
  - 毎回の使用前、1年に1回以上、墜落の発生後には、すべてのシステム構成部品を点検してください。取扱説明書に従って点検してください。
  - 点検により、システム構成部品に危険や欠陥のある状況が明らかになった場合は、構成部品の使用を中止し、廃棄してください。
  - 墜落防止または衝撃力の影響を受けた垂直親綱シリーズは、直ちに使用を中止し、すべての構成部品について安全管理者が点検を行ってから改めて使用する必要があります。
  - 設置中のシステムに接続しないでください。
  - システムの同時使用可能人数を考慮して適切に評価するようにしてください。
  - ケーブルを開梱すると、ケーブルが急にほぐれることがあります。ケーブルを開梱するときは、適切な安全手順に従い、適切な個人用保護具を着用してください。
  - 指定のコネクターのみを使用して、システムにフルハーネス型墜落制止用器具を取り付けてください。接続器具を追加して使用しないでください。
  - 取扱説明書に指定されたケーブルのみを使用してください。
  - シャトルまたはスリーブのロック動作に手を加えないでください。システムに接続したり、システムから離脱したりする際のみ操作してください。
  - 昇降中は常に3点支持を維持してください。適切な昇降方法の詳細については、取扱説明書を参照してください。
  - 製造元が異なる構成部品を組み合わせた墜落防止システムまたはサブシステムを使用する際には、ANSI Z359や他の墜落防止規範、規格、要件など公の規格の要求事項に合致し、適合性があることを確認してください。システムを使用する前に、必ず安全管理者または有資格者に相談してください。
- 高所での作業には、重傷を負ったり死亡したりするリスクが伴います。こうしたリスクを軽減するために、以下のことに注意してください。
  - 高所作業に伴う重力や引力などの力に安全に対応できる健康状態と身体能力があることを確認してください。本製品を使用するに当たり、身体能力に問題がある場合には医師に相談をしてください。
  - 使用する墜落防止装置の使用可能人数を決して超えないでください。
  - 使用する墜落防止装置の最大自由落下距離を決して超えないでください。
  - 使用前点検や定期点検で点検項目に合格しない場合や、使用や用途の適合性に問題があると思われる場合は、墜落防止装置を使用しないでください。製品の使用や適合性についてご質問がございましたら、3M安全衛生製品事業部までお問い合わせください。
  - サブシステムや構成部品の組み合わせによっては、本製品の動作不良の原因となる場合があります。適合性のある製品のみを接続してください。本書に記載されていない構成部品やサブシステムと組み合わせて本製品を使用する際には、3M安全衛生製品事業部までお問い合わせください。
  - 稼働中の機械（例：石油掘削装置のトップドライブ）や電氣的障害、極低温・高温、化学的危険、爆発性または有毒ガス、鋭利な角および縁、使用者や墜落防止装置に落下するおそれのある頭上の物体に、特に注意してください。
  - 高温現場での作業には、アークフラッシュ防護装置または火気使用作業防護装置を使用してください。
  - 使用者や装置に危害が及ぶ可能性のある表面や物体を避けてください。
  - 高所作業の際は、万一の落下距離が十分あることを確認してください。
  - 使用する墜落防止装置を改造、改変しないでください。3Mあるいは3Mが書面で承認した者のみ、本製品を修理できます。
  - 墜落防止装置を使用する前に、万一墜落が起きた場合に速やかに救助できるよう、必ず救助計画を策定してください。
  - 墜落が起きた場合は直ちに、墜落した作業者に医療機関を受診させてください。
  - 墜落制止用に胴ベルトを使用しないでください。フルハーネス（ハーネス型安全帯）のみを使用してください。
  - できるだけアンカーポイントの真下で作業をすることで、振り子現象を伴って墜落する危険性を最小限に抑えてください。
  - 本装置を使ってトレーニングを行う際は、二次的な墜落防止システムを使用し、実習者が誤って墜落しないようにしてください。
  - 装置またはシステムを設置、使用、点検する際には、必ず適切な個人用保護具を着用してください。



本製品を設置、使用する前に、製品に貼付された認識ラベル (IDラベル) から製品識別情報を本書の裏面にある「点検および保守記録」(表2)に転記してください。

常に3Mの最新の取扱説明書を参照してください。取扱説明書の最新版については、3Mのウェブサイトをご覧ください。3M安全衛生製品事業部までお問い合わせください。

### 製品の説明:

図1は、3M™ DBI-サラ® Lad-Saf™ 垂直親綱シリーズを示しています。Lad-Saf垂直親綱シリーズは、固定はしごなどの昇降用構造物を昇降する作業者が墜落した場合に保護します。垂直親綱シリーズは、トップブラケット、ワイヤーケーブル、脱着式スリーブ、ケーブルガイド、システムラベル、ボトムブラケットで構成されています。トップブラケット (A) ははしごの上部に固定され、はしごの下部に固定されたボトムブラケット (F) とともにケーブル (B) を固定します。脱着式スリーブ (C) は、使用者のハーネスのフロントDリングに取り付けられ、使用者の動作に従ってケーブルを上下します。ケーブルガイド (D) は、ケーブルを所定の位置に保持します。システムラベル (E) は、重要な安全情報を表示するため、システム上またはシステムの近辺に取り付ける必要があります。システムラベルは、図10の「E」を参照してください。

図2は、Lad-Saf垂直親綱用X3脱着式スリーブの各構成品の詳細を示しています。脱着式スリーブは、上部ローラー、回転サイドプレート、ハンドル、スリーブ本体、ロックレバー、下部ローラー、カラビナ、ロックカムで構成されています。上部ローラー (A) は、下部ローラー (F) と連動して脱着式スリーブをケーブルに固定します。回転サイドプレート (B) とハンドル (C) が開くと、ケーブルに脱着式スリーブを接続できます。スリーブ本体 (D) は、脱着式スリーブの主構造です。ロックレバー (E) は脱着式スリーブをロックし、装置が誤って開かないようにします。ロックカム (H) は、ロック時に脱着式スリーブを所定の位置に保持します。カラビナ (G) は、使用者のハーネスのフロントDリングに取り付けます。

Lad-Saf垂直親綱用X3脱着式スリーブおよびシステムの構成品の仕様については、表1を参照してください。

表1 - 仕様

システムの仕様:				
システムの設置:	設置手順書	システムの種類	システムの説明	
	5908282	垂直	Lad-Saf垂直親綱シリーズ	
	5903435	垂直	Lad-Saf垂直親綱シリーズ 回転式Dリング付き	
Lad-Saf脱着式スリーブ:	部品番号	作動力	最大配置長さ	最小破断強度
	6160054	2.0 kN (450 lbf)	102 mm (4.0 in)	16 kN (3,600 lbf)
耐荷重:	使用者1人の総重量 (衣類、工具など) は、40 kg~140 kg (88 lb.~310 lb.) としてください。最大4人の使用者がLad-Saf垂直親綱シリーズを同時に使用できますが、各Lad-Saf垂直親綱用X3脱着式スリーブには1人しか接続できません。使用者を追加する場合は、脱着式スリーブを追加して使用してください。			
アンカーの要件:	使用可能人数	アンカー強度	使用可能人数	アンカー強度
	1	12 kN (2,700 lbf)	3	17.5 kN (3,940 lbf)
	2	14.8 kN (3,320 lbf)	4	20.3 kN (4,560 lbf)
使用可能温度:	-40°C~60°C (-40°F~140°F)			
規格:	本Lad-Saf垂直親綱用X3脱着式スリーブおよびシステムは、本書の表紙に記載された標準規格に従って試験されています。			
ケーブルの仕様:	Lad-Saf垂直親綱用X3脱着式スリーブには、直径9.5 mm (3/8 in.) の中実ケーブルのみを使用してください。他のケーブルを使用しないでください。使用すると、重傷を負ったり死亡に至ったりするおそれがあります。			
	部品番号	説明	素材	最小破断強度
	6104XXX/ CE 6134XXX	9.5 mm (3/8 in.)、 1 x 7	亜鉛メッキ鋼	- 68.4 kN (15,400 lbf)
	6105XXX/ CE 6135XXX	9.5 mm、(3/8 in.) 1 x 7	ステンレス鋼	- 80 kN (18,000 lbf)
	6106XXX/ CE 6136XXX	9.5 mm、(3/8 in.) 7 x 19	亜鉛メッキ鋼	- 64 kN (14,400 lbf)
	6107XXX/ CE 6137XXX	9.5 mm (3/8 in.)、 7 x 19	ステンレス鋼	- 53.3 kN (12,000 lbf)
			重量	
			- 0.41 kg/m (0.27 lb. / ft.)	
			- 0.41 kg/m (0.27 lb. / ft.)	
			- 0.41 kg/m (0.27 lb. / ft.)	
			- 0.41 kg/m (0.27 lb. / ft.)	



表1 - 仕様

各構成品の仕様：

**Lad-Saf垂直親網シリーズ：**

図1の各部の番号	構成品	素材
Ⓐ	トップブラケット	亜鉛メッキ鋼またはステンレス鋼
Ⓑ	ケーブル	亜鉛メッキ鋼またはステンレス鋼
Ⓒ	脱着式スリーブ	ステンレス鋼
Ⓓ	ケーブルガイド	ウレタン
Ⓔ	システムラベル	ステンレス鋼
Ⓕ	ボトムブラケット	亜鉛メッキ鋼またはステンレス鋼

**Lad-Saf垂直親網用脱着式スリーブ：**

図2の各部の番号	構成品	素材
Ⓐ	上部ローラー	ナイロン
Ⓑ	回転サイドプレート	ステンレス鋼
Ⓒ	ハンドル	ステンレス鋼
Ⓓ	スリーブ本体	ステンレス鋼
Ⓔ	ロックレバー	ステンレス鋼
Ⓕ	下部ローラー	ナイロン
Ⓖ	カラビナ	亜鉛メッキ鋼
Ⓗ	ロックカム	ステンレス鋼

## 1.0 製品の用途

- 1.1 目的:** 本Lad-Saf™ 垂直親綱シリーズは、個人用墜落防止システムの一部です。Lad-Saf™ 垂直親綱用脱着式スリーブと組み合わせて使用することで、Lad-Saf垂直親綱シリーズは、固定はしごなどの昇降用構造物を昇降する作業者が墜落した場合に保護します。

**墜落制止専用:** Lad-Saf垂直親綱シリーズを墜落制止以外の目的で使用しないでください。

- 1.2 規格:** 垂直親綱シリーズは、本書の表紙に記載された国または地域レベルの標準規格に準拠しています。本製品が当初の仕向国外で再販される場合、再販業者は、使用者の国の言語で取扱説明書を提供する必要があります。
- 1.3 監修:** Lad-Saf垂直親綱シリーズの使用には、安全管理者<sup>1</sup>の監修が必要です。Lad-Saf垂直親綱シリーズの設置には、有資格者<sup>2</sup>の監修が必要です。
- 1.4 トレーニング:** Lad-Saf垂直親綱シリーズは、用途を正しく理解した者が必ず設置・使用してください。本書は、行政の規格が規定する従業員トレーニングプログラムの一環として使用するものです。本書を熟読し、本製品の正しい保守と使用に関するトレーニングを受け、本製品の動作特性、用途の制約、不適切な使用の結果を十分に理解することは、本製品の設置者の責任です。
- 1.5 救助計画:** 本製品を使用したりサブシステムに接続する場合、事業者は、救助計画と、それが常に実施できる体制を用意し、使用者、現場責任者<sup>3</sup>、救助者<sup>4</sup>と共有してください。トレーニングを受けた現場の救助チームが推奨されます。チームのメンバーには、救助を適切に行うための機器および技術を提示してください。トレーニングを定期的に行い、救助者が確実に熟練するようにしてください。
- 1.6 点検の頻度:** 垂直親綱シリーズは、使用前に毎回使用者が点検するものとします。また、安全管理者が1年に1回点検<sup>5</sup>する必要があります。点検手順は、「点検および保守記録」に記載されています。各適任者による点検の結果は、「点検および保守記録」の控えに記入してください。
- 1.7 墜落後:** Lad-Saf垂直親綱シリーズが墜落制止力を受けた場合は、直ちに使用を中止し、「使用禁止」と明記してください。Lad-Saf垂直親綱用脱着式スリーブおよびシステムを廃棄するか、3Mに返送して交換を依頼してください。

## 2.0 システム要件

- 2.1 アンカーポイント:** アンカーの要件は、墜落防止の用途によって異なります。垂直親綱シリーズが取り付けられている構造物は、表1に記載されたアンカーの仕様を満たす必要があります。
- 2.2 危険:** 危険な環境で本製品を使用する場合は、使用者のけがや製品の損傷を防ぐために、さらなる予防策を講じてください。危険として次の例が挙げられますが、これに限定されるものではありません。熱、化学物質、腐食環境、高電圧送電線、爆発性ガスまたは有毒ガス、稼働中の機械、鋭利な角および縁、落下して使用者または個人用墜落防止システムに接触するおそれのある頭上の物体。
- 2.3 昇降補助システムとの共用性:** 3MがPCAに3Mの昇降はしご墜落制止システム (CLFAS) と共用性があると確認した場合を除き、Lad-Saf垂直親綱シリーズおよびLad-Saf X2、X3、X3+脱着式スリーブを含む、3M CLFASと電動昇降補助 (PCA) システムを併用しないでください。この警告に従わない場合、共用性のないPCAおよびCLFASシステムの使用中に高所から使用者が墜落しても、安全に制止されないおそれがあります。製品の使用や適合性についてご質問がございましたら、3M安全衛生製品事業部 (3MFallProtectionTech@mmm.com) までお問い合わせください。

**3M垂直親綱シリーズと適合性のない昇降補助システムを使用すると、重傷を負ったり死亡に至ったりするおそれがあります。**

- 2.4 各構成品の適合性:** 3Mの製品は、3Mが指定する構成部品およびサブシステムのみと併用することを想定しています。指定外の構成部品やサブシステムに代用または交換すると、装置の互換性が損なわれ、システム全体の安全性と信頼性に影響を及ぼすおそれがあります。
- 2.5 コネクタの適合性:** コネクタは、どのような向きになっても開閉機構が不用意に開かない寸法や形状に設計されている場合、コネクタは接続点に対して適合性があると見なされます。適合性についてご質問がございましたら、3Mまでお問い合わせください。

コネクタ (フック、カラビナ、Dリング) は、最小で22.2 kN (5,000 lbf) を支えられる強度が必要です。コネクタには、アンカーポイントまたはその他のシステム構成部品との適合性が必要です。適合性のない装置を使用しないでください。適合性のないコネクタは、誤って外れることがあります。

(図4を参照)。コネクタには、寸法、形状、強度の面において適合性が必要です。スナップフックまたはカラビナを取り付ける接続部の寸法が小さい場合や、変形的な形状の場合は、スナップフックまたはカラビナの開閉部に接続部の力がかかる場合があります (A)。この力により開閉部が開き (B)、スナップフックまたはカラビナが接続部から外れる場合があります (C)。

ANSI Z359およびOSHAにより、セルフロック式スナップフックおよびカラビナの使用が義務付けられています。

- 1 安全管理者:** 従業員にとって不衛生、有害、危険な周辺状況や作業状況において、既存の危険や発生が予測される危険を認識でき、このような危険を除去するために速やかに是正措置を講じる権限を有する者。
- 2 有資格者:** 認識されている学位、資格、専門的地位を有するか、OSHAまたはその他の適用される行政の規制が定める範囲で、広範な知識、トレーニング、経験によって、墜落防止および救助システムに関する問題を解決または解消する能力を十分に示した者。
- 3 現場責任者:** 墜落の危険にさらされる場所で職務を遂行する権限を事業者から委譲された者。
- 4 救助者:** 救助システムの操作により補助救助を実施しようとしている救助対象者以外の者。
- 5 点検の頻度:** 作業条件が過酷な場合 (過酷な環境、長期間の使用など)、安全管理者による点検の頻度を上げる必要があります。

**2.6 接続:**本製品にはセルフロック式のスナップフックとカラビナのみをご使用ください。いずれの接続も、寸法、形状、強度の面において適合性があることを確認してください。互換性のない装置を使用しないでください。すべてのコネクタが完全に閉じ、ロックがかかることを確認してください。

3Mのコネクタ（スナップフックおよびカラビナ）は、それぞれの製品の取扱説明書で指定された方法でのみ使用してください。不適切な接続の例については、図5を参照してください。スナップフックおよびカラビナを、次のように接続しないでください。

- A. 他のコネクタが取り付けられているDリングとの接続。
- B. 開閉部に荷重がかかるような方法での接続。スナップフックに16 kN (3,600 lb) のゲート（開閉部）が装備されている場合を除き、大型のスロートスナップフックを標準サイズのDリングや同様の物体に接続しないでください。接続すると、フックまたはDリングがねじれたり回転したりした場合に開閉部に荷重がかかります。スナップフックのマークをチェックし、用途に適していることを確認してください。
- C. かみ合いが正しくなく、スナップフックまたはカラビナから突き出た部分がアンカーに引っかかり、アンカーポイントの完全なかみ合いを目で確認できない状態での接続。
- D. スナップフック同士の接続、あるいはカラビナ同士の接続。
- E. ベルトやロープランヤードへの直接接続、または回し掛け（ランヤードおよびコネクタ双方の製造元の取扱説明書で、このような接続が明確に認められている場合を除く）。
- F. スナップフックまたはカラビナが閉じない、ロックしない、または脱落が発生するおそれのある形状または寸法を持つ器具との接続。
- G. 荷重がかかった状態で、コネクタを適切な位置に配置できないような方法での接続。

### 3.0 設置

**Lad-Saf垂直親綱シリーズの設置手順の詳細については、製品の設置手順書を参照してください。詳細については、IFU 5908282またはIFU 5903435を参照してください。**

**3.1 計画:**作業の開始前に、Lad-Saf垂直親綱シリーズの使用計画を作成してください。墜落発生時および墜落発生前後において安全性に影響を与えるあらゆる要因について考慮してください。セクション2および表1に記載された要件、制約、仕様をすべて考慮してください。

- システムの同時使用可能人数を考慮して適切に評価するようにしてください。
- システムに接続する際や、システムから離脱する際には、危険が伴います。二次的な墜落防止システムを使用してください。接続ポイントと取り外しポイントに、適切なアンカーポイントや構造物から降りた後の足場などを用意し、システムとの間で安全に移動できるようにしてください。
- 使用者の足と地面との間には、2 m (7.0 ft.) 以上の落下距離が必要です。昇降時の最初の2 m (7.0 ft.) あるいは最後の2 m (7.0 ft.) では、地面への衝突や着地から保護されない場合があります。Lad-Saf™ 垂直親綱シリーズで保護されていないはしごの一部を昇降する際は、適切な昇降手順（例：手足の3点支持を維持する）に従ってください。
- 昇降するときは、適切な安全手順に従ってください。工具や器具を手で持って運ばないでください。昇降中は両手を使えるようにしてください。身に着けている工具を固定して、下にいる昇降中の使用者に落とさないようにしてください。自分の体調や体力を考慮して昇降してください。長時間の昇降では、疲労しないよう、途中で何度か休憩をはさむ必要があります。休憩できるよう、適切な作業姿勢保持（ワークポジショニング）装置を使用してください。強風や悪天候のときは、昇降しないでください。
- ケーブルガイド間で、1人の使用者のみが昇降するようにしてください。

**3.2 脱着式スリーブのケーブルへの接続:**Lad-Saf垂直親綱用X3脱着式スリーブは、使用する3M Lad-Saf垂直親綱シリーズに接続する必要があります。例については、図7を参照してください。Lad-Saf垂直親綱用X3脱着式スリーブをLad-Saf垂直親綱シリーズのケーブルに接続するには：

1. **スリーブ (I) の上向き矢印が上昇方向を指すように、スリーブの位置を決めます。**
2. **ロックレバー (E) をロック解除位置まで回します。**図3は、ロック中 (A) と、ロック解除時 (B) のロックレバーの位置を示しています。ロックレバーは、右手でも左手でも操作できるよう、脱着式スリーブの両側に設置されています。
3. **回転サイドプレート (B) を手前に引き寄せます。**回転サイドプレートを手前に引いたら、ロックレバー (E) を放します。ロックカム (H) が完全に開きます。
4. **ハンドル (C) が完全に直立するまで回します。**これで、ケーブルにスリーブを取り付ける際に、ロックカムが邪魔にならなくなります。
5. **スリーブを立てて持ち、上に持ち上げながら、スリーブの側面にあるスロットにケーブル (J) をはめ込みます。**ケーブルがスリーブのスロットに収まるようにします。ハンドル (C) 、回転サイドプレート (B) 、ロックレバー (E) を放して、ケーブルのスリーブをロックします。**使用前に、ロックレバー (E) がロック位置に入っていることを確認します。**

**3.3 脱着式スリーブのハーネスへの接続:**脱着式スリーブとフルハーネスは、脱着式スリーブをLad-Saf垂直親綱シリーズに取り付ける前または取り付けた後に接続します。Lad-Saf垂直親綱シリーズに接続する際や、取り外す際は、二次的な墜落防止システムを使用するようにしてください。昇降中にスリーブの操作を行うと、作業者が墜落する危険性が生じます。使用中のLad-Saf垂直親綱シリーズの角度は常に、垂直面から最大15°にしてください。

**他の接続具を使ったり、(ランヤードなどの) 器具を、脱着式スリーブに付属のコネクターと組み合わせたりしないでください。使用中は必ず、脱着式スリーブに付属のカラビナを使用してください。他のコネクターで代用しないでください。**

- **登る場合:**はしごに登る際は、常に(手足で)3点支持を維持しながら登ります。Lad-Saf垂直親綱用X3脱着式スリーブは作業者に追従します。ケーブルは、引っ張るとケーブルガイドからすぐに外れます。ケーブルガイドを通過している間や、スリーブがロックしたときは、スリーブを操作したり、ケーブルから取り外したりしないでください。
- **降りる場合:**はしごを降りる際は、常に(手足で)3点支持を維持しながら降ります。Lad-Saf垂直親綱用X3脱着式スリーブは、作業者が降りる際の「ガイド」として機能します。降りる際に通常の姿勢が崩れる(例：背中側に大きく傾斜しながら、あるいは足元を探りながらジグザグに降りる)と、スリーブがケーブルをロックする場合があります。スリーブがロックした場合は、少しだけ上に登ってスリーブのロックを解除してから、はしごを降り続けます。ケーブルガイドを通過するごとに、ケーブルをケーブルガイドにはめ込みます。ケーブルガイドを通過している間や、スリーブがロックしたときは、スリーブを操作したり、ケーブルから取り外したりしないでください。
- **取り外す場合:**登り終わったら、脱着式スリーブをシステムから取り外します。構成品の詳細については、図2を参照してください。
  1. ロックレバー (E) を回して、スリーブをケーブルから取り外します。
  2. サイドプレート (B) を手前に引いて、ハンドル (C) が完全に直立するまで回して立てます。
  3. スリーブをケーブルから取り外し、適切に保管します。

### 4.0 使用条件

**4.1 毎回ご使用になる前に:**作業区域と個人用墜落制止システム (PFAS) に関して、セクション2に記載された基準をすべて満たしており、正式な救助計画が用意されていることを確認します。Lad-Saf垂直親綱シリーズを、「点検および保守記録」に記載された「使用者」点検ポイントに従って点検します(表2)。点検により危険または欠陥のある状況が明らかになった場合は、システムを使用しないでください。直ちにシステムの使用を中止し、「使用禁止」と明記してください。Lad-Saf垂直親綱用脱着式スリーブおよびシステムを廃棄するか、3Mに返送して交換を依頼してください。

**4.2 システムの接続:**Lad-Saf垂直親綱シリーズには、必ずフルハーネスを併用してください。ANSI 2359.11、CSA Z259.10、EN 361、使用される地方で適用される規格に適合するフルハーネスを使用してください。フルハーネスの適切な装着については、製造元の取扱説明書を参照してください。フルハーネスに接続するには、Lad-Saf垂直親綱シリーズのカラビナをフルハーネスのフロントDリング (A) に接続します。フルハーネス上の他のコネクターやDリングは使用しないでください。

**OSHA 1910.29およびOSHA 1926.1053では、キャリアと取付ポイント間の接続の長さが23 cmを超えてはならないと規定しています。**

## 5.0 点検

- 5.1 点検の頻度:** Lad-Saf垂直親綱シリーズは、セクション1に記載された間隔で点検する必要があります。点検手順は、「点検および保守記録」(表2)に記載されています。製造元の取扱説明書で規定された頻度および手順に従い、墜落防止システムのその他すべての構成部品を点検します。
- 5.2 欠陥:** 点検により危険や欠陥のある状況が明らかになった場合や、システムの状態に不安な点が認められる場合は、直ちにLad-Saf垂直親綱シリーズの使用を中止し、「使用禁止」と明記してください。Lad-Saf垂直親綱用脱着式スリーブおよびシステムを廃棄するか、3Mに返送して交換を依頼してください。本製品を使用者自身で修理しないでください。
- 5.3 製品寿命:** Lad-Saf垂直親綱シリーズの機能面の寿命は、作業条件や保守によって異なります。製品が点検基準に合格している限り、引き続き使用できます。

## 6.0 保守、修理、保管

- 6.1 システムのクリーニング:** 点検に関する保守作業については、セクション5.0を参照してください。ケーブルが油、グリース、塗料などでひどく汚れた場合は、洗剤入りのぬるま湯で汚れを落としてください。清潔な乾いた布でケーブルを拭きます。加熱して強制的に乾燥させないでください。ケーブルを損傷する可能性のある酸性または腐食性の化学薬品は使用しないでください。

クリーニング以外の保守や修理は、指定のサービスセンターで行ってください。サービスセンターは、書面による指定を受けている必要があります。

- 6.2 脱着式スリーブのクリーニング:** Lad-Saf垂直親綱用X3垂脱着式スリーブが汚れたら、次の手順でクリーニングします。

1. ぬるま湯と中性洗剤液(シンプルグリーンなどの洗剤液)をを4対1で混ぜます。
2. 脱着式スリーブを洗剤液に沈め、脱着式スリーブ全体を2~3時間浸します。
3. 洗剤液から脱着式スリーブを取り出し、1分以上ぬるま湯ですすぎます。他に溜まっている汚れがあればしっかり落とします。
4. 使用前に、ケーブルを24時間自然乾燥させます。低温で送風乾燥しても構いません。
5. 例については、図2を参照してください。少量の潤滑剤を回転軸(E)またはサイドプレートの基部(B)に差します。
6. セクション5.3に指定されている使用前点検を行います。脱着式スリーブの動作に影響する可能性がある異物などが、内部に詰まっていないことを確認します。

- 6.3 保管および輸送:** Lad-Saf垂直親綱用X3脱着式スリーブは、直射日光の当たらない、涼しく乾燥した清潔な場所で保管してください。揮発性の薬品と一緒に保管しないでください。長期保管後は、スリーブを入念に点検してください。

Lad-Saf垂直親綱用脱着式スリーブは、傷や湿気、紫外線から保護できる容器に収納して輸送してください。腐食性雰囲気、過熱雰囲気、冷蔵雰囲気を避けてください。

- 6.4 修理:** 3Mあるいは3Mが書面で承認した者のみ、本製品を修理できます。Lad-Saf垂直親綱用脱着式スリーブおよびシステムが墜落する際の力を受けたり、点検により危険や欠陥のある状況が明らかになったりした場合は、直ちにシステムの使用を中止し、「使用禁止」と明記してください。Lad-Saf垂直親綱用脱着式スリーブおよびシステムを廃棄するか、3Mに返送して交換を依頼してください。

## 7.0 RFIDタグ

- 7.1 取付位置:** 本書に記載されている3M製品には、RFIDタグが取り付けられています。RFIDタグは、RFIDタグスキャナーと組み合わせて使用することで、製品の点検結果を記録できます。RFIDタグの取付位置については、図8を参照してください。

- 7.2 廃棄:** 本製品を廃棄する前に、RFIDタグを取り外し、行政規制に従って廃棄またはリサイクルしてください。RFIDタグの取り外し方法に関する詳細については、以下のウェブサイトへのリンクを参照してください。



本製品を未分別の一般廃棄物として廃棄しないでください。×印の付いたごみ箱記号は、すべてのEEE(電気および電子機器)を、利用可能な返品および回収システムを通じ、現地の法律に従って廃棄する必要があることを示しています。詳細については、販売店または3M安全衛生製品事業部までお問い合わせください。

詳細については、当社のウェブサイトをご覧ください。<http://www.3M.com/FallProtection/RFID>





## 8.0 ラベル表記およびマーク

8.1 ラベル表記：図9は、Lad-Saf垂直親綱シリーズのラベルの位置を示しています。図10は、各ラベルの詳細を示しています。システムに直接取り付けられないラベルは、Lad-Saf垂直親綱シリーズの付近に取り付けてください。各ラベルの記載内容は次のとおりです。

A	A) 脱着式スリーブのモデル番号 B) シリアル番号 C) 警告文 - 取扱説明書をお読みください。 D) 取扱説明書をお読みください。 E) 最大1名。 F) 適用規格 G) 認証機関の詳細 H) 使用者の体重要件
B	A) 使用時の脱着式スリーブの向き、「上」。
C	A) システムのケーブルとハーネスの取付ポイント間の最大許容距離は23 cm (9.0 in.) です。 B) 脱着式スリーブをランヤードと併用しないでください。システムを改造しないでください。
D	ID/ロット番号 (YYMMWWTT) : YY = 製造年の下2桁。 MM = 製造月。 WW = 製造年の週。 TT = 3Mの内部使用のみ。
E	1) 設置日 2) 設置者 3) アンカーの要件 4) システムの最大使用可能人数 5) システムの長さ 6) 製造日 7) 点検日 8) シリアル番号 9) システムの警告 10) ケーブルの種類とスリーブの互換性一覧、準拠規格。 11) RFIDタグ (セクション7.0を参照)

表2 - 点検および保守記録

点検日:		点検者:	
構成品:	点検: (点検の頻度についてはセクション2を参照)	使用者	適任者
脱着式スリーブ (図2)	ハンドル (C) に曲がり、亀裂、変形がないか点検します。すべての固定部材がしっかりと取り付けられていること。ハンドルとカムが、自在かつスムーズに操作できること。スプリングが固定され、ハンドルを引き下げる十分な強度があること。ハンドルは、ショックアブソーバーや墜落インジケータとしても機能します。ハンドルは、墜落制止機能が作動すると変形します。図11.3に、ハンドルの例を示しています。墜落制止機能の作動履歴がない状態は (A)、墜落制止機能が作動して変形した状態は (B) です。ハンドルがA = 12.7 mm (1/2 inch) を超えて変形した場合は、使用しないでください。スリーブの使用を中止してください。	<input type="checkbox"/>	<input type="checkbox"/>
	ロックレバー (E) がスムーズに動作するか点検し、ロックレバーを放すとロック位置に確実に戻ることを確認します。	<input type="checkbox"/>	<input type="checkbox"/>
	ロックカム (H) に摩耗がないか点検します。カムが破損していないことを確認します。	<input type="checkbox"/>	<input type="checkbox"/>
	ハンドル (C) を垂直に立ててスリーブを直立させ、スリーブを上下に振って墜落到似た動作をすることで、ロックカム (H) を点検します。カムが自由に回転することを確認します。	<input type="checkbox"/>	<input type="checkbox"/>
	ロックカム (H) を点検する際は、ハンドル (C) を直立させた状態でスリーブを水平にし、スリーブの裏側を上にして (Lad-Saf X3のラベルが表側に向くようにする)、平らな面に置きます。カムがスリーブの上部まで完全に回転することを確認します。	<input type="checkbox"/>	<input type="checkbox"/>
	サイドプレート (B) を後ろに引いてケーブルスロットを開けて、動作を点検します。プレートが回転しないことを確認します。ロックレバー (E) を回転させずにプレートが回転する場合は、スリーブの使用を中止してください。	<input type="checkbox"/>	<input type="checkbox"/>
	ユニット全体に腐食の跡がないか点検します。	<input type="checkbox"/>	<input type="checkbox"/>
トップブラケット (図11.2)	Lad-Saf™ 垂直親綱シリーズの設置手順書、3M墜落防止用製品マニュアル5908282または5903435に従って、適切に設置されているか点検します。	<input type="checkbox"/>	<input type="checkbox"/>
	目に見える破損や腐食がないか確認します。システムの強度と動作に影響を与える可能性のある亀裂、曲がり、摩耗がないか確認します。溶接部を点検します。溶接部に、ブラケットの強度に影響を与える可能性のある亀裂や破損がないか確認します。欠陥が見つかった場合は、部品を交換してください。	<input type="checkbox"/>	<input type="checkbox"/>
	トップブラケットを構造物に固定している固定部材 (ボルト、クランププレート、U字形ボルト) に緩みや欠落がないか確認します。固定部材が緩んでいる場合は、必要に応じて、Lad-Saf垂直親綱シリーズに付属の設置手順書に記載されているトルクレベルまで締め直します。	<input type="checkbox"/>	<input type="checkbox"/>
	トッププレートに変形がないか点検します。Aのすき間が5 mm (0.20 inch) 以上であることを確認します。	<input type="checkbox"/>	<input type="checkbox"/>
	大型ピン (B) と小型ピンの両方が所定の位置にあることを確認します。スプリングゲート (C) が所定の位置にあることを確認します。	<input type="checkbox"/>	<input type="checkbox"/>
	シングルポイントアンカー (D) に亀裂や破損の跡がないか点検します。ナットのトルクを点検します。ワッシャーのマークが容易に見て取れることを確認します。	<input type="checkbox"/>	<input type="checkbox"/>
ボトムブラケット (図11.1)	Lad-Saf™ 垂直親綱シリーズの設置手順書、3M墜落防止用製品マニュアル5908282または5903435に従って、適切に設置されているか点検します。	<input type="checkbox"/>	<input type="checkbox"/>
	破損や腐食がないか確認します。システムの強度と動作に影響を与える可能性のある亀裂、曲がり、摩耗がないか確認します。欠陥が見つかった場合は、部品を交換してください。	<input type="checkbox"/>	<input type="checkbox"/>
	ボトムブラケットをはしごに固定している固定部材に緩みや欠落がないか確認します。ファスナーが緩んでいる場合は、必要に応じて、Lad-Saf垂直親綱シリーズに付属の設置手順書に記載されているトルクレベルまで締め直します。	<input type="checkbox"/>	<input type="checkbox"/>
	テンションロッド部分を点検します。特定のワイヤークリップがケーブルをしっかりと保持できているか確認します。ワイヤークランプのトルクを点検します。かかっているトルクが47 Nm (35 ft-lb) であることを確認します。欠陥が見つかった場合は、交換するか、締め直してください。	<input type="checkbox"/>	<input type="checkbox"/>
ケーブルガイド (図1)	ケーブルガイドに破損がないか確認します。黒いウレタン部分に摩耗や損傷がないか確認します。ケーブルガイドがケーブルを押さえ、ケーブルがはしごや構造物と接触しないようにしていることを確認します。ケーブルガイドがケーブルに沿って約6~12 mの間隔で、あるいは必要に応じてそれより短い間隔で取り付けられていることを確認します。欠陥が見つかった場合は、部品を交換してください。	<input type="checkbox"/>	<input type="checkbox"/>
	ケーブルガイドの固定部材を確認します。固定部材がケーブルガイドを所定の位置に固定していることを確認します。必要に応じて締め直します。	<input type="checkbox"/>	<input type="checkbox"/>



表2 - 点検および保守記録

点検日:		点検者:	
構成品:	点検: (点検の頻度についてはセクション2を参照)	使用者	適任者
ケーブル (図1)	ケーブルに、腐食、ねじれ、破損など、脱着式スリーブの強度に影響を及ぼし、ケーブル上での動作を妨げるものがないか点検します。ケーブルに傷やよじれがある場合は、ケーブルの使用前に適任者が点検を行ってください。はしごや構造物に摩耗の跡がないか点検します。欠陥が見つかった場合は、ケーブルを交換してください。	<input type="checkbox"/>	<input type="checkbox"/>
	適切な張りがあるか点検します。溝がボトムテンプレートの上に出ていることを確認します (図11.1、Eを参照)。テンションロッドが手で引き下げられないことを確認します。ケーブルがはしごや構造物と接触しない程度に張っていることを確認します。必要に応じてケーブルを張り直します。システムに張力をかけ過ぎないでください。	<input type="checkbox"/>	<input type="checkbox"/>
ラベル (図9)	すべてのラベルが添付され、記載内容が確実に判読できる状態であることを確認します。	<input type="checkbox"/>	<input type="checkbox"/>
PFASおよびその他の器具	アンカーシステムと併用する追加の個人用墜落制止システム (PFAS) 用の器具 (ハーネス、SRDなど) は、製造元の取扱説明書に従って設置および点検してください。	<input type="checkbox"/>	<input type="checkbox"/>
構造物	本製品が取り付けられている構造物が、想定されるすべての荷重方向において表1の強度要件を満たしていることを確認します。	<input type="checkbox"/>	<input type="checkbox"/>

シリアル番号:	購入日:
モデル番号:	使用開始日:

是正措置/保守:	承認者:	次回の点検日:
	日付:	
是正措置/保守:	承認者:	次回の点検日:
	日付:	
是正措置/保守:	承認者:	次回の点検日:
	日付:	
是正措置/保守:	承認者:	次回の点検日:
	日付:	
是正措置/保守:	承認者:	次回の点検日:
	日付:	
是正措置/保守:	承認者:	次回の点検日:
	日付:	
是正措置/保守:	承認者:	次回の点検日:
	日付:	
是正措置/保守:	承認者:	次回の点検日:
	日付:	
是正措置/保守:	承認者:	次回の点検日:
	日付:	
是正措置/保守:	承認者:	次回の点検日:
	日付:	
是正措置/保守:	承認者:	次回の点検日:
	日付:	

## KO 안전 정보

이 수직 시스템을 사용하기 전에 본 지침에 포함된 모든 안전 정보를 읽고 이해하고 따르십시오. 그렇지 않으면 심각한 부상이나 사망으로 이어질 수 있습니다.

이 지침은 장비의 사용자에게 제공되어야 합니다. 나중에 참조할 수 있도록 이 지침을 보관하십시오.

### 용도:

수직 시스템은 완벽한 개인 추락 방지 시스템의 일부로 사용하기 위한 것입니다.

자재 취급, 레크리에이션 또는 스포츠 관련 활동 또는 제품 설명서에 명시되지 않은 기타 활동을 비롯한 다른 적용 분야에의 사용은 3M에 의해 승인되지 않으며 심각한 부상이나 사망으로 이어질 수 있습니다.

이 장치는 작업장 적용 분야에 대해 숙련된 사용자만 사용할 수 있습니다.

## 경고

이 유연한 케이블/고정형 레일 시스템은 개인 추락 방지 시스템의 일부입니다. 모든 사용자는 개인 추락 방지 시스템의 안전한 설치 및 작동에 대해 충분한 교육을 받아야 합니다. **이 장치를 잘못 사용하면 심각한 부상이나 사망에 이를 수 있습니다.** 적절한 선택, 작동, 설치, 유지 보수 및 서비스를 받으려면 이 제품 설명서 및 모든 제조업체 권장 사항을 참조하거나 감독자 또는 3M 기술 서비스에 문의하십시오.

### • 유연한 케이블/고정형 레일 시스템을 사용하여 작업하는 것과 관련하여 방지하지 않으면 심각한 부상이나 사망을 초래할 수 있는 위험을 줄이려면 다음을 따르십시오.

- 매번 사용하기 전에, 적어도 매년, 그리고 추락 사고 후 시스템의 모든 구성 요소를 검사하십시오. 제품 설명서에 따라 검사하십시오.
- 검사 결과 시스템 구성 요소에 안전하지 않거나 결함이 있는 상태가 발견되면 구성 요소를 서비스에서 제거하고 파괴하십시오.
- 추락 방지 또는 충격력이 가해진 모든 유연한 케이블/고정형 레일 시스템은 즉시 서비스에서 제거해야 하며, 모든 구성 요소는 다시 사용하기 전에 숙련된 전문가가 점검해야 합니다.
- 설치 중인 시스템에는 연결하지 마십시오.
- 시스템이 동시 사용자 수에 적합한지 확인하십시오.
- 케이블 포장을 풀 때 감긴 케이블이 빠르게 풀릴 수 있습니다. 케이블 포장을 풀 때 적절한 안전 절차와 적절한 개인 보호 장비를 사용하십시오.
- 시스템에 착용구를 연결할 때는 승인된 커넥터만 사용하십시오. 추가 연결 장치는 사용하지 마십시오.
- 제품 설명서에 지정되고 승인된 케이블만 사용하십시오.
- 셔플/슬리브 장치의 잠금 동작을 방해하지 마십시오. 시스템에 연결하거나 분리할 때만 장치를 조작하십시오.
- 등반 시에는 항상 3개의 접촉점을 유지하십시오. 적절한 등반 기술에 대한 자세한 내용은 제품 설명서를 참조하십시오.
- 다른 제조업체가 만든 구성 요소로 조립된 추락 방지 시스템/하위 시스템이 ANSI Z359 또는 기타 적용되는 추락 방지 법, 표준 또는 요건을 포함하여 적용되는 표준 요건을 준수하고 충족하는지 확인하십시오. 이러한 시스템을 사용하기 전에 항상 숙련된 전문가 및/또는 공인 전문가에게 문의하십시오.

### • 높은 장소에서 작업하는 것과 관련하여 방지하지 않으면 심각한 부상이나 사망을 초래할 수 있는 위험을 줄이려면 다음을 따르십시오.

- 본인의 건강과 신체 상태가 높은 장소에서 일하는 것과 관련된 모든 힘을 안전하게 견딜 수 있는지 확인하십시오. 본 장비 사용 능력에 관해 궁금한 사항이 있으면 담당 의사와 상담하십시오.
- 추락 방지 장비의 허용 용량을 초과해서는 안 됩니다.
- 추락 방지 장비의 최대 자유 낙하 거리를 초과해서는 안 됩니다.
- 예비 사용 또는 기타 정기 검사에서 실패한 추락 방지 장비를 사용하지 마십시오. 또는 적용 분야에서 장비의 사용이나 적합성에 대한 우려가 있는 경우에는 사용하지 마십시오. 궁금한 사항이 있으면 3M 기술 서비스(3M Technical Services)에 문의하십시오.
- 일부 하위 시스템 및 구성 요소 조합은 본 장비의 작동을 방해할 수 있습니다. 호환되는 연결만 사용하십시오. 사용 설명서에 설명된 이외의 구성 요소 또는 하위 시스템과 함께 이 장비를 사용하기 전에 3M에 문의하십시오.
- 극한의 온도, 화학적 위험, 폭발성 또는 유독성 가스, 날카로운 모서리 주변 또는 본인이나 추락 방지 장비 위로 떨어질 수 있는 머리 위의 자재, 아래에서 움직이는 기계(예: 석유 굴착 장치의 상단 구동부)를 다룰 때는 별도의 예방 조치를 취하십시오.
- 고열이 발생하는 환경에서 작업할 때는 아크 플래시(Arc Flash) 또는 핫 워크(Hot Works) 장치를 사용하십시오.
- 사용자나 장비에 손상을 줄 수 있는 표면이나 물체를 피하십시오.
- 높은 장소에서 작업할 때 적절한 낙하 거리가 있는지 확인하십시오.
- 추락 방지 장비를 개조하거나 변경하지 마십시오. 3M이나 3M의 서면 승인을 받은 업체만 이 장비를 수리할 수 있습니다.
- 추락 방지 장비를 사용하기 전에 추락 사고가 발생하면 즉각 구조할 수 있는 구조 계획이 마련되어 있는지 확인하십시오.
- 추락 사고가 발생하면 즉시 추락한 근로자에게 의료 조치를 취하십시오.
- 추락 방지 용도로 벨트식을 사용하지 마십시오. 전체식 안전 그네만 사용하십시오.
- 가급적 고정 지점 바로 아래에서 작업하여 진자추락을 최소화하십시오.
- 이 장치로 훈련하는 경우, 훈련생이 의도하지 않은 추락 위험에 노출되지 않도록 2차 추락 방지 시스템을 사용해야 합니다.
- 장치/시스템을 설치, 사용 또는 검사할 때는 항상 적절한 개인 보호 장비를 착용하십시오.

이 장비를 설치하고 사용하기 전에 본 설명서 뒷면의 검사 및 유지보수 기록(표 2)에 있는 ID 라벨의 제품 식별 정보를 기록하십시오.

항상 3M 지침 설명서의 최신 개정판을 사용하고 있는지 확인하십시오. 업데이트된 지침 설명서와 관련해서는 3M 웹 사이트에서 확인하거나 3M 기술 서비스에 문의하십시오.

**제품 설명:**

그림 1은 3M™ DBI-SALA® Lad-Saf™ 사다리 안전 시스템을 보여줍니다. Lad-Saf 사다리 안전 시스템은 고정 사다리나 유사한 등반 구조물을 올라가는 동안 추락할 경우에 대비해 작업자를 보호하도록 설계되었습니다. Lad-Saf 시스템은 상단 브래킷, 와이어 케이블, 케이블 슬리브, 케이블 가이드, 시스템 태그 및 하단 브래킷으로 구성되어 있습니다. 상단 브래킷(A)은 사다리의 상단에 고정되어 있으며 사다리의 하단에 고정된 하단 브래킷(F)과 함께 케이블(B)을 고정합니다. 케이블 슬리브(C)는 사용자와 함께 케이블을 위아래로 움직이며 사용자 안전 그네의 전면 D-링에 연결됩니다. 케이블 가이드(D)는 케이블이 제자리에 유지되도록 합니다. 시스템 태그(E)는 중요한 안전 정보를 표시하며 시스템 위 또는 근처에 배치해야 합니다. 시스템 태그는 그림 10에서 라벨 "E"로 표시됩니다.

그림 2는 Lad-Saf X3 케이블 슬리브의 구성 요소를 보여줍니다. 케이블 슬리브는 상단 롤러, 회전 측면 플레이트, 핸들, 슬리브 본체, 잠금 레버, 하단 롤러, 카라비너 및 잠금 캠으로 구성되어 있습니다. 상단 롤러(A)는 하단 롤러(F)와 함께 케이블 슬리브를 케이블에 고정합니다. 회전형 측면 플레이트(B)와 핸들(C)은 케이블에 케이블 슬리브를 배치할 수 있도록 열립니다. 슬리브 본체(D)는 케이블 슬리브의 주요 구조에 해당합니다. 잠금 레버(E)는 케이블 슬리브를 잠그고 장치가 의도치 않게 열리지 않도록 방지합니다. 잠금 캠(H)은 잠길 때 케이블 슬리브를 제자리에 고정시킵니다. 카라비너(G)는 사용자 안전 그네의 전면 D-링에 연결됩니다.

Lad-Saf X3 수직 케이블 안전 슬리브 및 시스템의 구성 요소 사양은 표 1을 참조하십시오.

**표 1 - 사양**

시스템 사양:									
시스템 설치:	설치 지침		시스템 유형		시스템 설명				
	5908282		수직		Lad-Saf 유연한 케이블 안전 시스템				
	5903435		수직		회전식 D-링을 사용하는 Lad-Saf 유연한 케이블 안전 시스템				
Lad-Saf 케이블 슬리브:	품목 번호	활성력	최대 배치 길이	최소 파단 강도	중량				
	6160054	2.0kN(450lbf)	102mm(4.0in.)	16kN(3,600lbf)	1.0kg(2.1lb)				
허용 용량:	각 사용자의 통합 중량(옷, 도구 등)은 40kg(88lb)에서 140kg(310lb) 사이여야 합니다. Lad-Saf 시스템의 동시 사용자 수는 최대 4명이지만 각 Lad-Saf X3 수직 케이블 안전 슬리브에는 한 명의 사용자만 연결할 수 있습니다. 추가 사용자의 경우 별도의 케이블 슬리브를 사용해야 합니다.								
앵커리지 요구 사항:	사용자 수		앵커리지 강도		사용자 수		앵커리지 강도		
	1		12kN(2,700lbf)		3		17.5kN(3,940lbf)		
	2		14.8kN(3,320lbf)		4		20.3kN(4,560lbf)		
작동 온도:	-40°C~60°C(-40°F~140°F)								
표준:	Lad-Saf X3 수직 케이블 안전 슬리브 및 시스템은 이러한 사용 지침의 앞 표지에 명시된 표준에 따라 테스트되었습니다.								
케이블 사양:	Lad-Saf X3 케이블 슬리브에는 9.5mm(3/8") 직경의 단선 코어 케이블만 사용할 수 있습니다. 다른 케이블과 함께 사용하는 것은 금지되어 있습니다. 함께 사용할 경우 심각한 부상이나 사망을 초래할 수 있습니다.								
	품목 번호	설명	자재	최소 파단 강도		중량			
	6104XXX/ CE 6134XXX	9.5mm(3/8"), 1 x 7	아연 도금 강	68.4kN (15,400lbf)		0.41kg/m (0.27lb./ft.)			
	6105XXX/ CE 6135XXX	9.5mm(3/8"), 1 x 7	스테인리스강	80kN (18,000lbf)		0.41kg/m (0.27lb./ft.)			
	6106XXX/ CE 6136XXX	9.5mm(3/8"), 7 x 19	아연 도금 강	64kN (14,400lbf)		0.41kg/m (0.27lb./ft.)			
	6107XXX/ CE 6137XXX	9.5mm(3/8"), 7 x 19	스테인리스강	53.3kN (12,000lbf)		0.41kg/m (0.27lb./ft.)			

표 1 - 사양

구성 요소 사양:

**Lad-Saf 사다리 안전 시스템:**

그림 1 참조	구성 요소	재질
Ⓐ	상단 브래킷	아연 도금 강 또는 스테인리스강
Ⓑ	케이블	아연 도금 강 또는 스테인리스강
Ⓒ	케이블 슬리브	스테인리스강
Ⓓ	케이블 가이드	우레탄
Ⓔ	시스템 태그	스테인리스강
Ⓕ	하단 브래킷	아연 도금 강 또는 스테인리스강

**Lad-Saf 케이블 슬리브:**

그림 2 참조 번호	구성 요소	재질
Ⓐ	상부 롤러	나일론
Ⓑ	회전형 측면 플레이트	스테인리스강
Ⓒ	핸들	스테인리스강
Ⓓ	슬리브 본체	스테인리스강
Ⓔ	잠금 레버	스테인리스강
Ⓕ	하부 롤러	나일론
Ⓖ	카라비너	아연 도금 강
Ⓗ	잠금 캠	스테인리스강

## 1.0 제품 적용 분야

- 1.1 용도:** Lad-Saf™ 사다리 안전 시스템은 개인 추락 방지 시스템의 일부입니다. Lad-Saf 사다리 안전 시스템은 Lad-Saf™ 분리 가능한 케이블 슬리브와 함께 사용 시 고정 사다리 또는 이와 유사한 등반 구조물을 올라가다 추락할 경우 작업자를 보호하도록 설계되었습니다.

**추락 방지 전용:** 추락 방지 이외의 목적으로 *Lad-Saf* 사다리 안전 시스템을 사용하지 마십시오.

- 1.2 표준:** 사다리 안전 시스템은 이러한 지침의 앞 표지에 명시된 국가 또는 지역 표준을 준수합니다. 본 제품이 본래 목적지 국가 밖으로 재판매될 경우, 재판매입체는 이 지침을 제품이 사용되는 국가의 언어로 제공해야 합니다.
- 1.3 감독:** Lad-Saf 사다리 안전 시스템의 사용은 숙련된 전문가의 감독하에 이루어져야 합니다<sup>1</sup>. Lad-Saf 사다리 안전 시스템의 설치는 공인 전문가의 감독하에 이루어져야 합니다<sup>2</sup>.
- 1.4 교육:** Lad-Saf 사다리 안전 시스템은 올바른 적용 분야에 대한 교육을 받은 사람이 설치 및 사용해야 합니다. 이 설명서는 국가, 지역 또는 현지 규정에 따라 직원 교육 프로그램의 일부로 사용해야 합니다. 본 장비의 설치자는 이러한 지침을 잘 숙지하고, 본 장비의 올바른 관리 및 사용에 대한 교육을 받아야 하며 작동 특성, 적용 제한 및 장비의 부적절한 사용에 대한 결과를 알고 있어야 합니다.
- 1.5 구조 계획:** 본 장비 및 연결 하위 장치를 이용할 때, 고용주는 사용자, 승인받은 자<sup>3</sup> 및 구조자들과 함께 수행하고 계획에 대해 소통할 수 있도록 구조 계획과 장비를 가지고 있어야 합니다. 및 구조자<sup>4</sup> 구조는 교육받은 현장 구조 팀이 수행하는 것이 좋습니다. 팀원에게는 성공적인 구조를 수행하기 위한 장비와 기술이 제공되어야 합니다. 능숙한 구조를 위해 정기적으로 교육을 제공해야 합니다.
- 1.6 검사 빈도:** 사다리 안전 시스템은 항상 사용 전에 사용자가 검사해야 합니다. 또한 적어도 연 1회 사용자가 아닌 숙련된 전문가가 검사해야 합니다.<sup>5</sup> 검사 절차는 "검사 및 유지보수 기록"에 나와 있습니다. 각 숙련된 전문가의 검사 결과는 "검사 및 유지보수 기록" 사본에 기록해야 합니다.
- 1.7 추락 후:** Lad-Saf 시스템에 추락 충격이 가해진 경우 즉시 서비스에서 제거하고 "사용하지 마십시오"라고 명확하게 표시해야 합니다. 그런 다음 Lad-Saf 케이블 안전 슬리브 및 시스템을 폐기하거나 교체 위해 3M에 전달해야 합니다.

## 2.0 시스템 요구사항

- 2.1 앵커리지:** 앵커리지 요구 사항은 추락 방지 적용 분야에 따라 다릅니다. 사다리 안전 시스템이 장착되는 구조물은 표 1에 정의된 앵커리지 사양을 충족해야 합니다.
- 2.2 위험:** 환경적 위험이 있는 구역에서 이 장비를 사용할 때는 사용자의 부상이나 장비의 훼손을 방지하기 위한 추가적인 주의가 필요합니다. 위험에는 열, 화학 물질, 부식성 환경, 고압 전력선, 폭발성 또는 독성 가스, 움직이는 기계, 날카로운 모서리 또는 사용자나 개인 추락 방지 시스템에 떨어져 닿을 수 있는 머리 위의 자재 등이 포함될 수 있습니다.
- 2.3 등반 보조 호환성:** Lad-Saf 수직 구명줄 시스템 및 Lad-Saf X2, X3 또는 X3+ 분리 가능한 케이블 슬리브를 포함하여 3M CLFAS(등반 사다리 추락 방지 시스템)와 함께 PCA(전동 등반 보조)를 사용하지 마십시오(단, PCA가 3M의 CLFAS와 호환되는 것으로 3M의 검증을 받은 경우는 제외). 이 경고를 준수하지 않으면 호환되지 않는 PCA 및 CLFAS 시스템을 사용할 때 높은 곳에서 떨어질 경우 사용자의 안전한 추락 방지가 이루어지지 않을 수 있습니다. 궁금한 사항이 있으면 3M 기술 서비스(3MFallProtectionTech@mmm.com)에 문의하십시오.
- 3M 수직 시스템과 호환되지 않는 등반 보조 시스템의 사용은 심각한 부상이나 사망을 초래할 수 있습니다.**
- 2.4 구성 요소 호환성:** 3M 장비는 3M 승인 구성 요소 및 하위 장치만 사용하도록 고안되었습니다. 승인되지 않은 구성요소 및 하위 장치로 대체 및 대응하는 것은 장비의 호환성을 위태롭게 하고 전체 장비의 안전성과 신뢰성에 영향을 줄 수 있습니다.
- 2.5 커넥터 호환성:** 연결장치는 정렬 방향에 관계없이 규격과 모양으로 인해 게이트 메커니즘이 실수로 열리지 않게 작동되도록 고안되었을 때 연결 요소와 호환되는 것으로 간주됩니다. 호환성에 대한 추가 질문은 3M에 문의하십시오.
- 커넥터(후크, 카라비너 및 D-링)는 최소 22.2kN(5,000lbf)을 지지할 수 있는 용량이어야 합니다. 연결장치는 고정 또는 기타 시스템 구성 요소와 호환되어야 합니다. 호환되지 않는 장비를 사용하지 마십시오. 호환되지 않는 연결장치는 실수로 풀릴 수 있습니다(그림 4 참조). 연결장치는 크기, 모양 및 힘이 호환되어야 합니다. 스냅 후크 또는 카라비너 부착에 대한 연결 요소의 크기가 작거나 모양이 불규칙한 경우, 연결 요소가 스냅 후크나 카라비너(A)의 게이트에 힘을 가할 수 있습니다. 이 힘으로 스냅 후크나 카라비너가 연결 지점(C)에서 풀려 게이트가 열릴 수 있습니다(B). ANSI Z359 및 OSHA에는 자체 잠금 스냅 후크 및 카라비너가 필요합니다.

**1 숙련된 전문가:** 직원에게 불결하거나 유해하거나 위험한 주변 또는 작업 조건의 기준 및 예측 가능한 위험을 정의하고 이를 제거할 빠른 시정 방법이 있는 사람.

**2 공인 전문가:** 인정되는 학위, 수료증 또는 전문 자격을 갖춘 사람 또는 광범위한 지식, 교육 및 경험을 통해 OSHA 또는 기타 해당 연방 주 및 지역 규정에서 요구하는 수준까지 추락 방지 및 구조 시스템과 관련된 문제를 해결하거나 처리하는 능력을 성공적으로 입증한 사람.

**3 승인받은 자:** 추락 위험에 노출된 사람이 있는 위치에서 직무를 수행하도록 고용주가 지정한 사람.

**4 구조자:** 구조 시스템 운영에 따라 구조 보조 역할을 수행하는 구조 대상이 아닌 사람 또는 사람들.

**5 검사 빈도:** 극한의 작업 환경(혹독한 환경, 정기 사용 등)에서 사용할 경우 숙련된 전문가의 검사 빈도를 늘려야 할 수 있습니다.

**2.6 연결하기:** 이 장비와 함께 사용되는 스냅 후크와 카라비너는 자동 잠금장치여야 합니다. 모든 연결이 크기, 모양 및 힘에서 호환 가능한지 확인하십시오. 호환되지 않는 장비를 사용하지 마십시오. 모든 커넥터가 완전히 닫히고 고정되었는지 확인하십시오.

3M 연결장치(스냅 후크 및 카라비너)는 각 제품의 사용자 지침에 명시된 대로만 사용하도록 고안되었습니다. 부적절한 연결에 대한 예는 그림 5를 참고하십시오. 스냅 후크와 카라비너를 다음과 같은 방식으로 연결하지 마십시오.

- A. 다른 연결장치가 연결되는 D-링에 연결하면 안 됩니다.
- B. 게이트에 하중이 가해지는 방식으로 연결하면 안 됩니다. 큰 스로트 스냅 후크는 표준 크기 D-링 또는 이와 유사한 물체에 연결하면 안 됩니다. 그러면 스냅 후크에 16kN(3,600lbf) 게이트가 장착되어 있지 않는 한 후크 또는 D-링이 꼬이거나 회전할 때 게이트에 하중이 가해집니다. 스냅 후크의 표시를 확인하여 해당 용도에 적합한지 확인합니다.
- C. 앵커 위의 스냅 후크 또는 카라비너 캐치에서 튀어나온 곳이 시각적 확인 없이 고정 부분에 완전히 연결된 것 같이 보이는 것처럼 잘못 연결하면 안 됩니다.
- D. 상호 연결하면 안 됩니다.
- E. 웨빙이나 로프 또는 타이백에 직접(제조사 지침에 로프와 연결장치가 특별히 연결되는 것을 허락하지 않는 한).
- F. 스냅 후크나 카라비너가 닫히거나 잠기지 않고 롤아웃이 발생하는 등 모양이거나 치수를 갖는 다른 물체에 연결하기 위해
- G. 하중을 받는 상태에서 연결장치가 적절하게 정렬되지 않는 방식으로 연결하면 안 됩니다.

### 3.0 설치

**Lad-Saf** 시스템 설치 절차에 대한 자세한 내용은 제품 설치 지침을 참조하십시오. 자세한 내용은 *IFU 5908282* 또는 *IFU 5903435*를 참조하십시오.

**3.1 계획:** 작업을 시작하기 전에 Lad-Saf 사다리 안전 시스템 사용에 대한 계획을 세웁니다. 추락 전, 도중 및 후에 안전에 영향을 줄 수 있는 모든 요인을 고려합니다. 섹션 2 및 표 1에 정의된 모든 요구 사항, 제한 사항 및 사양을 고려합니다.

- 시스템이 필요한 사용자 수에 적합인지 확인합니다.
- 시스템에 연결하거나 연결을 끊을 때와 관련된 위험이 있습니다. 2차 추락 방지 장치를 사용합니다. 시스템과의 안전한 전환을 위해 연결 및 연결 해제 지점에서 적절한 앵커 지점, 랜딩 플랫폼 또는 기타 수단을 사용할 수 있는지 확인합니다.
- 사용자의 발과 아래 표면 사이에는 최소 2.0m(7.0ft.)의 낙하 거리가 필요합니다. 처음 2.0m(7.0ft.)를 올라가거나 마지막 2.0m(7.0ft.)를 내려가는 동안에는 사용자가 지면에 부딪히지 않거나 땅에 떨어지지 않도록 막지 못할 수 있습니다. Lad-Saf™ 시스템에 의해 보호되지 않는 사다리 부분을 오르내릴 때는 적절한 등반 절차(예: 손과 발로 3개의 접촉점 유지)를 따릅니다.
- 등반 시 적절한 안전 절차를 따릅니다. 도구나 장비를 손으로 운반하지 않도록 합니다. 손은 등반에 사용하도록 자유롭게 둡니다. 운반 품목은 고정하여, 아래에 올라오는 사람에게 떨어지지 않도록 합니다. 능력 내에서 올라갑니다. 장거리를 올라갈 때는 탈진하지 않도록 올라가거나 내려가는 동안 여러 번 멈추면서 휴식을 취해야 할 수 있습니다. 휴식 시간에 적절한 작업 위치 조정 장비를 사용합니다. 바람이 세거나 날씨가 험한 경우에는 **올라가지** 마십시오.
- 한 명의 사용자만 케이블 가이드 사이를 올라가도록 합니다.

**3.2 캐리어 케이블에 케이블 슬리브 연결하기:** Lad-Saf X3 수직 케이블 안전 슬리브를 사용하려면 3M Lad-Saf 사다리 안전 시스템에 연결해야 합니다. 그림 7을 참조하십시오. Lad-Saf X3 케이블 슬리브를 Lad-Saf 시스템의 캐리어 케이블에 연결하려면 다음을 따릅니다.

1. **슬리브(I)의 "위쪽" 화살표가 오르는 방향을 가리키도록 슬리브를 배치합니다.**
2. **잠금 레버(E)를 잠금 해제 위치로 돌립니다.** 그림 3은 잠금 레버가 잠금 상태일 때(A) 및 잠금 해제 상태일 때(B)의 위치를 나타냅니다. 잠금 레버는 분리 가능한 케이블 슬리브의 양쪽에 있으므로 오른쪽 손과 왼쪽 손 모두로 조작할 수 있습니다.
3. **회전형 측면 플레이트(B)를 가장 먼 위치로 당깁니다.** 회전형 측면 플레이트가 가장 먼 회전 위치에 있으면 잠금 레버(E)가 풀릴 수 있습니다. 잠금 캠(H)이 완전히 확장됩니다.
4. **핸들(C)을 돌려서 완전히 똑바로 세웁니다.** 그러면 케이블에 슬리브를 설치할 수 있도록 잠금 캠이 떨어져 나옵니다.
5. **슬리브를 똑바로 세워 잡고 케이블(J)을 슬리브 측면의 슬롯으로 통과시켜 삽입하면서 위로 들어올립니다.** 케이블을 슬리브 홈에 배치합니다. 핸들(C), 회전형 측면 플레이트(B) 및 잠금 레버(E)를 풀면 슬리브가 케이블에 고정됩니다. **사용하기 전에 잠금 레버(E)가 잠금 위치에 있는지 확인합니다.**

**3.3 안전 그네에 케이블 슬리브 연결하기:** 케이블 슬리브와 전신 안전 그네는 Lad-Saf 시스템에 케이블 슬리브를 설치하기 전 또는 후에 연결할 수 있습니다. Lad-Saf 시스템과 연결하거나 연결을 끊을 때는 보조 추락 방지 시스템을 사용하는 것이 좋습니다. 오르내리는 도중에 슬리브를 조작하면 사용자가 추락 위험에 노출됩니다. Lad-Saf 시스템의 최대 각도는 사용 중에 항상 수직에서 15°이어서 합니다.

다른 연결 장치를 사용하거나 로프와 같은 장치를 케이블 슬리브와 함께 제공된 커넥터와 결합하지 마십시오. 항상 케이블 슬리브와 함께 제공된 카라비너 커넥터를 사용합니다. 다른 커넥터로 대체하지 마십시오.

- **올라갈 때:** 구조물에 올라가려면 항상 손과 발로 3개의 접촉점을 유지하면서 올라갑니다. Lad-Saf™ X3 분리 가능한 케이블 슬리브가 등반하는 작업자를 따라갑니다. 캐리어 케이블과 케이블 가이드가 만나면 캐리어 케이블이 케이블 가이드에서 빠져 나옵니다. **케이블 가이드를 통과할 때 또는 슬리브가 잠길 경우 슬리브를 조작하거나 캐리어 케이블에서 제거하지 마십시오.**
- **내려올 때:** 구조물을 내려가려면 항상 손과 발로 3개의 접촉점을 유지하면서 살살 내려갑니다. Lad-Saf™ X3 분리 가능한 케이블 슬리브가 작업자를 아래로 "이끌어"줍니다. 바른 위치에서 벗어나서 내려갈 경우(예: 지나치게 뒤로 기대거나 불규칙적으로 내려가는 경우) 슬리브가 캐리어 케이블에 잠길 수 있습니다. 슬리브가 잠기면 약간 위로 올라가 슬리브를 푼 다음 계속해서 구조물을 내려옵니다. 각 케이블 가이드를 통과한 후 캐리어 케이블을 케이블 가이드에 다시 연결합니다. **케이블 가이드를 통과할 때 또는 슬리브가 잠길 경우 슬리브를 조작하거나 캐리어 케이블에서 제거하지 마십시오.**
- **연결을 끊을 때:** 등반이 완료되면 시스템에서 케이블 슬리브를 분리합니다. 구성 요소는 그림 2를 참조하십시오.
  1. 잠금 레버(E)를 돌려 케이블에서 슬리브를 제거합니다.
  2. 측면 플레이트(B)를 뒤로 당기고 핸들(C)을 돌려 완전히 똑바로 세웁니다.
  3. 이제 슬리브를 케이블에서 빼내 올바르게 보관할 수 있습니다.

### 4.0 사용

**4.1 매번 사용하기 전에:** 작업장과 PFAS(개인 추락 방지 시스템)가 섹션 2에 정의된 모든 기준을 충족하고 공식 구조 계획이 마련되어 있는지 확인합니다. Lad-Saf 시스템은 '사용자' 검사 항목에 따라 검사합니다. 이러한 항목은 "검사 및 유지보수 기록"(표 2)에 정의되어 있습니다. 검사 후 안전하지 않거나 결함이 있는 상태로 밝혀지면 시스템을 사용하지 마십시오. 시스템을 즉시 서비스에서 제거하고 "사용하지 마십시오"라고 명확하게 표시합니다. 그런 다음 Lad-Saf 수직 케이블 안전 슬리브와 시스템을 폐기하거나 교체를 위해 3M으로 보내야 합니다.

**4.2 시스템 연결:** Lad-Saf 시스템은 전신 안전 그네와 함께 사용해야 합니다. ANSI 2359.11, CSA Z259.10, EN 361 또는 기타 해당 국가, 지역 또는 현지 표준을 따르는 전신 안전 그네를 사용해야 합니다. 전신 안전 그네를 올바르게 장착하려면 제조업체의 지침을 참조하십시오. 전신 안전 그네에 연결하려면 Lad-Saf 시스템의 카라비너를 전신 안전 그네의 전면 D-링(A)에 연결합니다. 전신 안전 그네의 다른 커넥터 또는 D-링과 함께 사용하는 것은 금지되어 있습니다.

**OSHA 1910.29** 및 **OSHA 1926.1053**에 따르면 캐리어와 부착점 사이의 연결 길이가 **23cm(9")**를 초과하면 안 됩니다.



## 5.0 검사

- 5.1 검사 빈도:** Lad-Saf 시스템은 섹션 1에 명시된 주기마다 검사해야 합니다. 검사 절차는 "검사 및 유지보수 기록"(표 2)에 설명되어 있습니다. 제조업체 지침에 정의된 빈도 및 절차에 따라 추락 방지 장치의 기타 모든 구성 요소를 검사합니다.
- 5.2 결함:** 검사 결과 안전하지 않거나 결함이 있는 상태인 것으로 밝혀지는 경우 또는 시스템 상태와 관련하여 의심이 가는 경우 Lad-Saf 시스템을 즉시 서비스에서 제거하고 "사용하지 마십시오"라고 명확하게 표시합니다. 그런 다음 Lad-Saf 수직 케이블 안전 슬리브와 시스템을 폐기하거나 교체를 위해 3M으로 보내야 합니다. 시스템을 수리하려고 하지 마십시오.
- 5.3 제품 수명:** Lad-Saf 시스템의 기능적 수명은 작업 환경이나 유지보수에 따라 결정됩니다. 제품이 검사 기준을 통과하는 한 사용 가능합니다.

## 6.0 유지보수, 서비스, 보관

- 6.1 시스템 청소:** 검사 관련 유지보수 문제는 섹션 5.0을 참조하십시오. 캐리어 케이블이 기름, 그리스, 도장 또는 기타 물질로 심하게 더러워지면 따뜻한 비눗물로 씻어냅니다. 물기가 없는 깨끗한 천으로 케이블을 닦아냅니다. 열로 건조시키지 마십시오. 케이블을 손상시킬 수 있는 산성 또는 부식성 화학 물질은 사용하지 마십시오.

추가 유지보수 및 사용 절차는 공인 서비스 센터에서 완료해야 합니다. 승인은 서면으로 이루어져야 합니다.

- 6.2 케이블 슬리브 청소:** 더러워진 Lad-Saf X3 수직 케이블 안전 슬리브는 다음 절차에 따라 청소할 수 있습니다.

1. 4성분 미온수에 순한 1성분 세척 용액(예: Simple Green 또는 유사 용액) 하나를 섞습니다.
2. 케이블 슬리브를 용액에 담그고 전체 케이블 슬리브를 혼합물에 2~3시간 동안 담급니다.
3. 용액에서 케이블 슬리브를 제거하고 1분 이상 따뜻한 물로 행굽니다. 과도하게 쌓인 먼지를 없애야 합니다.
4. 사용하기 전에 케이블을 24시간 동안 자연 건조합니다. 시원한 공기를 강제로 사용해도 됩니다.
5. 그림 2를 참조하십시오. 중심점(E) 또는 측면 플레이트의 밑면(B)에 소량의 윤활제를 바릅니다.
6. 섹션 5.3에 지정된 대로 사용 전 검사를 완료합니다. 케이블 슬리브 작동에 영향을 줄 수 있는 내부 이물질이 없는지 확인합니다.

- 6.3 보관 및 운반:** Lad-Saf X3 수직 케이블 안전 슬리브는 서늘하고, 습기가 없는 깨끗한 환경에서 직사광선을 피해 보관합니다. 화학 증기가 있는 곳은 피합니다. 장기 보관한 슬리브는 면밀히 검사합니다.

Lad-Saf 케이블 슬리브는 절삭, 습기 또는 자외선으로부터 보호하기 위해 인클로저로 수송합니다. 부식성이 있거나, 과열되거나, 냉장 상태인 환경은 피합니다.

- 6.4 서비스:** 3M이나 3M의 서면 승인을 받은 업체만 이 장비를 수리할 수 있습니다. Lad-Saf 수직 케이블 안전 슬리브 및 시스템에 추락 시 발생하는 힘이 가해지거나 검사 결과 안전하지 않거나 결함이 있는 상태인 것으로 밝혀지면 시스템을 즉시 서비스에서 제거하고 "사용하지 마십시오"라고 명확하게 표시합니다. 그런 다음 Lad-Saf 수직 케이블 안전 슬리브와 시스템을 폐기하거나 교체를 위해 3M으로 보내야 합니다.

## 7.0 RFID 태그

- 7.1 위치:** 이러한 사용 지침에서 다루는 3M 제품에는 RFID(무선 주파수 인식) 태그가 포함되어 있습니다. RFID 태그는 제품 검사 결과를 기록하기 위해 RFID 태그 스캐너와 함께 사용될 수 있습니다. RFID 태그가 있는 위치는 그림 8을 참조하십시오.

- 7.2 폐기:** 이 제품을 폐기하기 전에 현지 규정에 따라 RFID 태그를 제거하고 폐기/재활용합니다. RFID 태그를 제거하는 방법에 대한 자세한 내용은 아래 웹 사이트 링크를 참조하십시오.



제품을 분류되지 않은 폐기물로 폐기하지 마십시오. X자로 그려진 바퀴 달린 쓰레기통 기호는 모든 EEE(전기 및 전자 장비)가 이용 가능한 반품 및 수거 시스템을 통해 현지 법에 따라 폐기되어야 함을 나타냅니다. 자세한 내용은 대리점 또는 현지 3M 담당자에게 문의하십시오.

자세한 내용은 다음 3M 웹 사이트 (<http://www.3M.com/FallProtection/RFID>)에서 확인하십시오.



## 8.0 라벨 및 마킹

**8.1 라벨:** 그림 9는 Lad-Saf 사다리 안전 시스템의 라벨 위치를 보여줍니다. 그림 10은 각 라벨을 자세히 보여줍니다. 시스템에 표시된 위치가 없는 라벨은 Lad-Saf 시스템의 근처 위치에 있어야 합니다. 각 라벨에서 확인할 수 있는 정보는 다음과 같습니다.

A	A) 케이블 슬리브 모델 번호 B) 일련 번호 C) 경고문 - 사용과 관련된 모든 지침을 따르십시오. D) 사용자 지침을 모두 읽으십시오. E) 최대 한 명의 사용자. F) 적용 표준 G) 인증 기관 세부 사항 H) 사용자 무게 요구 사항
B	A) 사용 시 케이블 슬리브의 "위" 방향.
C	A) 시스템 케이블과 안전 그네 부착점 사이에 허용되는 최대 거리는 23cm(9.0")입니다. B) 케이블 슬리브를 로프와 함께 사용하지 마십시오. 어떤 식으로든 시스템을 개조하지 마십시오.
D	ID/로트 번호(YMMWWTT): YY = 제조 연도의 마지막 두 자리. MM = 제조 월. WW = 제조 연도의 주. TT = 3M 내부 전용.
E	1) 설치 날짜 2) 설치자 3) 앵커리지 요구 사항 4) 시스템당 최대 사용자 수 5) 시스템 길이 6) 제조 날짜 7) 검사일 8) 일련 번호 9) 시스템 경고 10) 케이블 유형 및 슬리브 호환성 매트릭스(표준 인증 포함) 11) RFID 태그(섹션 7.0 참조)

표2 - 검사 및 유지보수 기록

검사 날짜:		검사자:	
구성요소:	검사: (검사 주기는 섹션 2 참조)	사용자	숙련된 전문가
케이블 슬리브(그림 2)	핸들(C)에 구부러짐, 균열 및 변형이 있는지 검사합니다. 모든 패스너를 단단히 연결해야 합니다. 핸들과 캠의 작동은 걸리는 것 없이 원활해야 합니다. 스프링은 핸들을 잡아당겨 내릴 수 있도록 견고하고 충분한 힘이 있어야 합니다. 핸들은 또한 에너지 흡수장치 및 추락 표시기 역할을 합니다. 핸들은 추락 저지에 사용하면서 변형됩니다. 그림 11.3은 추락 저지용으로 사용되지 않은 핸들(A)과 추락 저지용으로 사용되어 변형된 핸들(B)의 예를 보여줍니다. 핸들이 A = 12.7mm(1/2") 넘게 변형된 경우 사용하지 마십시오. 해당 슬리브는 서비스에서 제거해야 합니다.	<input type="checkbox"/>	<input type="checkbox"/>
	잠금 레버(E)가 원활하게 작동하는지 검사합니다. 손에서 놓으면 스프링이 잠금 위치로 돌아가야 합니다.	<input type="checkbox"/>	<input type="checkbox"/>
	잠금 캠(H)의 마모 여부를 검사합니다. 캠에 손상이 없는지 확인합니다.	<input type="checkbox"/>	<input type="checkbox"/>
	핸들(C)을 똑바로 세운 상태에서 슬리브를 수직으로 잡고 슬리브를 위아래로 흔들어 추락을 시뮬레이션하는 방법으로 잠금 캠(H)을 검사합니다. 캠이 자유롭게 회전해야 합니다.	<input type="checkbox"/>	<input type="checkbox"/>
	핸들(C)을 똑바로 세워 슬리브를 수평으로 놓고 슬리브를 평평한 표면의 뒷면에 놓은 상태에서 Lad-Saf X3 라벨이 위로 향하게 하여 잠금 캠(H)을 검사합니다. 캠은 슬리브 위까지 완전히 위쪽으로 돌아가야 합니다.	<input type="checkbox"/>	<input type="checkbox"/>
	측면 플레이트(B)를 뒤로 당겨 케이블 슬롯을 열어서 측면 플레이트의 작동을 검사합니다. 회전하면 안 됩니다. 잠금 레버(E)를 돌리지 않았는데 회전한다면 슬리브를 서비스에서 제거합니다.	<input type="checkbox"/>	<input type="checkbox"/>
	전체 장치에 부식 징후가 있는지 검사합니다.	<input type="checkbox"/>	<input type="checkbox"/>
상단 브래킷(그림 11.2)	Lad-Saf™ 유연한 케이블 수직 안전 시스템 설치 지침, 3M 추락 방지 설명서 5908282 또는 5903435에 따라 적절히 설치되었는지 검사합니다.	<input type="checkbox"/>	<input type="checkbox"/>
	눈에 띄는 손상이나 부식이 있는지 확인합니다. 시스템의 강도와 작동에 영향을 줄 수 있는 균열, 구부러짐 또는 마모가 있는지 확인합니다. 용접부를 검사합니다. 브래킷 강도에 영향을 줄 수 있는 균열이나 파손이 용접부에 있는지 살펴봅니다. 결함이 발견되면 부품을 교체합니다.	<input type="checkbox"/>	<input type="checkbox"/>
	상단 브래킷을 구조물에 고정하는 패스너(볼트, 클램프 플레이트, U 볼트)가 느슨하거나 없어졌는지 확인합니다. 패스너가 느슨하면 Lad-Saf Flexible Cable Safety System과 함께 제공되는 설치 지침에 나온 토크 레벨에 따라 필요한 만큼 다시 조입니다.	<input type="checkbox"/>	<input type="checkbox"/>
	상단 플레이트가 변형되었는지 검사합니다. 위치 A에서 간격은 최소 5mm(0.20")입니다.	<input type="checkbox"/>	<input type="checkbox"/>
	큰 핀(B)과 작은 핀이 모두 제자리에 있는지 확인합니다. 스프링 게이트(C)가 제자리에 있는지 확인합니다.	<input type="checkbox"/>	<input type="checkbox"/>
	단일 지점 앵커(D)에 균열이나 손상 징후가 있는지 검사합니다. 패스너의 토크를 검사합니다. 와셔에 눈에 띄는 표시가 있는지 확인합니다.	<input type="checkbox"/>	<input type="checkbox"/>
하단 브래킷(그림 11.1)	Lad-Saf™ 유연한 케이블 수직 안전 시스템 설치 지침, 3M 추락 방지 설명서 5908282 또는 5903435에 따라 적절히 설치되었는지 검사합니다.	<input type="checkbox"/>	<input type="checkbox"/>
	손상이나 부식이 있는지 확인합니다. 시스템의 강도와 작동에 영향을 줄 수 있는 균열, 구부러짐 또는 마모가 있는지 확인합니다. 결함이 발견되면 부품을 교체합니다.	<input type="checkbox"/>	<input type="checkbox"/>
	하단 브래킷을 구조물에 고정시키는 패스너가 느슨하거나 없어졌는지 확인합니다. 패스너가 느슨하면 Lad-Saf Flexible Cable Ladder Safety System과 함께 제공되는 설치 지침에 나온 토크 레벨에 따라 필요한 만큼 다시 조입니다.	<input type="checkbox"/>	<input type="checkbox"/>
	장력 막대 어셈블리를 검사합니다. 새들 클립이 케이블을 단단히 고정해야 합니다. 새들 클램프의 토크를 확인합니다. 47N-m(35ft-lb)로 조입니다. 결함이 발견되면 교체하거나 다시 조입니다.	<input type="checkbox"/>	<input type="checkbox"/>
케이블 가이드(그림 1)	케이블 가이드에 손상이 있는지 확인합니다. 검은색 우레탄이 마모 또는 손상되었는지 살펴봅니다. 케이블 가이드는 케이블을 꽉 잡고 케이블과 사다리/구조물이 닿지 않도록 막아야 합니다. 케이블 가이드는 캐리어 케이블을 따라 약 6~12m(20~40ft.)에 배치하거나 필요한 경우 더 가까이 배치해야 합니다. 결함이 발견되면 부품을 교체합니다.	<input type="checkbox"/>	<input type="checkbox"/>
	케이블 가이드 패스너를 검사합니다. 패스너는 케이블 가이드를 제자리에 고정해야 합니다. 필요에 따라 조입니다.	<input type="checkbox"/>	<input type="checkbox"/>

표2 - 검사 및 유지보수 기록

검사 날짜:		검사자:	
구성요소:	검사: (검사 주기는 섹션 2 참조)	사용자	숙련된 전문가
케이블(그림 1)	케이블을 검사하여 강도에 영향을 미치고 케이블 슬리브가 케이블을 통과하지 못하게 방해하는 부식, 꼬임 또는 손상이 있는지 확인합니다. 사다리 케이블에 패이거나 꼬임 부분이 있으면 사용하기 전에 숙련된 전문가가 케이블을 검사해야 합니다. 사다리나 구조물에 마모의 징후가 있는지 검사합니다. 결함이 발견되면 케이블을 교체합니다.	<input type="checkbox"/>	<input type="checkbox"/>
	장력이 적절한지 검사합니다. 홈은 하단 템플릿 위에 노출되어야 합니다(설명선 "E", 그림 11.1 참조). 장력 막대가 손으로 당겨지지 않아야 합니다. 케이블은 사다리/구조물과 닿지 않을 정도로 조여야 합니다. 필요한 경우 케이블을 다시 당깁니다. 시스템에 과도한 힘을 가하지 마십시오.	<input type="checkbox"/>	<input type="checkbox"/>
라벨(그림 9)	라벨이 전부 있고 확실하게 읽을 수 있는지 확인합니다.	<input type="checkbox"/>	<input type="checkbox"/>
PFAS 및 기타 장비	앵커리지 시스템과 함께 사용되는 추가 PFAS(개인 추락 방지 시스템) 장비(안전 벨트, SRL 등)는 제조업체의 지침에 따라 설치 및 검사해야 합니다.	<input type="checkbox"/>	<input type="checkbox"/>
구조물	구조물이 부착되는 구조물이 가능한 모든 하중 방향에서 표 1의 강도 요구 사항을 충족하는지 확인합니다.	<input type="checkbox"/>	<input type="checkbox"/>

일련 번호:	구매 날짜:
모델 번호:	처음 사용 날짜:

시정 조치/유지보수:	승인자:	다음 검사 기한:
	날짜:	
시정 조치/유지보수:	승인자:	다음 검사 기한:
	날짜:	
시정 조치/유지보수:	승인자:	다음 검사 기한:
	날짜:	
시정 조치/유지보수:	승인자:	다음 검사 기한:
	날짜:	
시정 조치/유지보수:	승인자:	다음 검사 기한:
	날짜:	
시정 조치/유지보수:	승인자:	다음 검사 기한:
	날짜:	
시정 조치/유지보수:	승인자:	다음 검사 기한:
	날짜:	
시정 조치/유지보수:	승인자:	다음 검사 기한:
	날짜:	
시정 조치/유지보수:	승인자:	다음 검사 기한:
	날짜:	
시정 조치/유지보수:	승인자:	다음 검사 기한:
	날짜:	
시정 조치/유지보수:	승인자:	다음 검사 기한:
	날짜:	

**Prieš naudodamiesi vertikaliaja sistema perskaitykite visą šioje instrukcijoje pateiktą saugos informaciją, ją supraskite ir laikykitės jos. TO NEPADARIUS GALIMA SUNKIAI SUSIŽALOTI ARBA ŽŪTI.**

**Šios instrukcijos turi būti pateiktos įrangos naudotojui. Išsaugokite šias instrukcijas ateičiai.**

## Numatytoji paskirtis

Ši vertikaloji sistema skirta naudoti kaip visos asmeninės apsaugos nuo kritimo sistemos dalis.

„3M“ nėra patvirtinusi jokios kitos paskirties, įskaitant, be apribojimų, medžiagų tvarkymą, poilsinę ar sporto veiklą, arba bet kokią kitą šioje įrangos naudojimo instrukcijoje neaprašytą veiklą, o taip naudojant galima sunkiai susižaloti arba žūti.

Šiuo įtaisu gali naudotis tik parengti darbuotojai darbo reikmėms.

## ĮSPĖJIMAS

Ši lanksčių kabelių / standžių bėgių sistema yra asmeninės apsaugos nuo kritimo sistemos dalis. Tikimasi, kad visi naudotojai bus tinkamai išmokyti, kaip saugiai tvirtinti ir naudoti asmens apsaugos nuo kritimo sistemą. **Netinkamai naudojantis šiuo įtaisu galima sunkiai susižaloti arba žūti.** Kaip tinkamai pasirinkti, naudoti, parengti, prižiūrėti ir remontuoti, skaitykite šią įrangos naudojimo instrukciją ir visas gamintojo rekomendacijas, kreipkitės į savo viršininką arba „3M“ techninę tarnybą.

- **Toliau nurodyta, kaip sumažinti riziką, kuri gali kilti dirbant su lanksčių kabelių / standžių bėgių sistema ir kurios neišvengus galima sunkiai susižaloti ar žūti.**
  - Kiekvieną kartą prieš naudodami arba bent kartą per metus bei asmeniui nukritus, patikrinkite visus sistemos elementus. Tikrinkite vadovaudamiesi gaminio instrukcija.
  - Jei patikrinus aptinkama nesaugi sistemos komponento būklė ar defektas, nustokite naudoti tą komponentą ir jį sunaikinkite.
  - Bet kokią lanksčių kabelių / standžių bėgių sistemą, kurią paveikė kritimo stabdymo arba smūgio jėga, privaloma nedelsiant nustoti naudoti, o prieš vėl naudojant, visus komponentus turi patikrinti kompetentingas asmuo.
  - Nebandykite prisitvirtinti prie montuojamos sistemos.
  - Įsitinkite, kad sistema yra tinkamai apskaičiuota, atsižvelgiant į vienu metu besinaudojančių žmonių skaičių.
  - Išpakuojant kabelį, jis gali greitai išsivynioti. Išpakuodami kabelį laikykitės saugos procedūrų ir naudokite tinkamas asmenines apsaugos priemones.
  - Naudokite tik patvirtintas jungtis kūno apraišoms prie sistemos tvirtinti. Nenaudokite jokių papildomų prisijungimo įtaisų.
  - Naudokite tik gaminio instrukcijoje nurodytus ir patvirtintus kabelius.
  - Netrukdykite veikti šliaužiklio ir įmovos fiksavimo mechanizmui. Įtaisu naudokitės tik norėdami prisitvirtinti prie arba atsikabinti nuo sistemos.
  - Lipdami visada naudokite tris atramos taškus. Daugiau informacijos apie tinkamą lipimo metodiką pateikta gaminio instrukcijoje.
  - Įsitinkite, kad apsaugos nuo kritimo sistemos ir posistemės, surinktos iš skirtingų gamintojų pagamintų komponentų, būtų suderinamos ir atitiktų taikomų standartų reikalavimus, įskaitant ANSI Z359 ar kitas taikomas apsaugos nuo kritimo normas, standartus ir reikalavimus. Prieš naudodamiesi šiomis sistemomis visada pasitarkite su kompetentingu ir (arba) kvalifikuotu asmeniu.
- **Toliau nurodyta, kaip sumažinti riziką, galinčią kilti dirbant dideliame aukštyje, kurios neišvengus galima sunkiai susižaloti arba žūti.**
  - Būkite tikri, kad dėl savo sveikatos ir fizinės būklės galėsite saugiai atlaikyti visas su darbu dideliame aukštyje susijusias jėgas. Jeigu turite kokių nors klausimų dėl savo gebėjimo naudotis šia įranga, pasitarkite su gydytoju.
  - Niekada neviršykite savo apsaugos nuo kritimo įrangos leidžiamos laikomosios galios.
  - Niekada neviršykite savo apsaugos nuo kritimo įrangos didžiausio laisvojo kritimo atstumo.
  - Niekada nesinaudokite apsaugos nuo kritimo įranga, kuri nepereina prieš naudojimą atliekamos ar kurios nors kitos planinės patikros, arba jeigu turite nuogastavimų dėl įrangos naudojimo ar tinkamumo norimai paskirčiai. Visais klausimais kreipkitės į „3M“ technines tarnybas.
  - Kai kurie posistemų ir komponentų deriniai gali mažinti šios įrangos funkcionalumą. Naudokite tik suderinamas jungtis. Jeigu norite naudoti šią įrangą su kitais komponentais ar posistemėmis, neaprašytais šiose naudotojo instrukcijoje, pasitarkite su „3M“.
  - Dirbdami šalia judančių mašinų (pvz., naftos bokšto viršutinės pavaros), kuriose yra elektros pavojų, kraštutinėje temperatūroje, esant cheminių pavojų, sprogių ar nuodingų dujų, prie aštrių briaunų ar po kabančiomis medžiagomis, kurios gali nukristi ant Jūsų ar apsaugos nuo kritimo įrangos, būkite ypač atsargūs.
  - Dirbdami aukštos temperatūros aplinkoje naudokite kategorijos „Arc Flash“ arba „Hot Works“ įtaisus.
  - Venkite paviršių ir daiktų, kurie gali pakenkti naudotojui arba įrangai.
  - Dirbdami dideliame aukštyje pasirūpinkite, kad būtų pakankamas laisvasis kritimo aukštis.
  - Niekada nemodifikuokite ir nekeiskite savo apsaugos nuo kritimo įrangos. Šią įrangą gali taisyti tik „3M“ arba raštu įgalioti subjektai.
  - Prieš naudodamiesi apsaugos nuo kritimo įranga pasirūpinkite, kad būtų parengtas gelbėjimo planas, pagal kurį būtų galima greitai išgelbėti, jeigu įvyktų kritimo incidentas.
  - Įvykus kritimui nedelsdami pasirūpinkite nukritusio darbuotojo medicinine apžiūra.
  - Kritimo stabdymo sistemoms nenaudokite kūno diržo. Naudokite tik su viso kūno apraišomis.
  - Norėdami sumažinti siūbuojamojo kritimo tikimybę, dirbkite kiek įmanoma labiau vienoje vertikaloje linijoje su tvirtinimo tašku.
  - Jeigu mokomasi naudotis šiuo įtaisu, antroji apsaugos nuo kritimo sistema turi būti naudojama taip, kad nekeltų besimokančiajam nenumatyto kritimo pavojaus.
  - Tvirtindami, naudodami arba tikrindami įtaisą ar sistemą, visuomet naudokite atitinkamas asmens apsaugos priemones.

Prieš parengdami šią įrangą ir ja naudodamiesi, įrašykite gaminio identifikavimo informaciją iš ID etiketės į šio vadovo gale esantį tikrinimo ir priežiūros žurnalą (2 lent.).

Visada įsitikinkite, kad vadovaujate naujausio leidimo 3M instrukcijų vadovu. Norėdami gauti atnaujintų instrukcijų vadovų, apsilankykite 3M svetainėje arba susisiekite su 3M techninės pagalbos tarnybamis.

## GAMINIO APRAŠAS:

1 paveiksle pavaizduota „3M™ DBI-SALA® Lad-Saf™“ kopėčių saugos sistema. „Lad-Saf“ kopėčių saugos sistema yra skirta apsaugoti darbuotoją jam nukritus nuo stacionariųjų kopėčių ar panašių lipimo konstrukcijų. „Lad-Saf“ sistemą sudaro viršutinė gembė, vielinis lynas, lyno šliaužiklis, lyno kreipiklis, sistemos kortelė ir apatinė gembė. Viršutinė gembė (A) yra pritvirtinta kopėčių viršuje ir inkaruoja lyną (B) kartu su apatine gembe (F), kuri pritvirtinama kopėčių apačioje. Lyno šliaužiklis (C) juda aukštyn ir žemyn lynu kartu su naudotoju ir pritvirtinamas prie priekinio naudotojo apraišų jungiamojo žiedo. Lyno kreipiklis (D) užtikrina, kad lynas išliks savo vietoje. Sistemos kortelėje (E) pateikiama svarbi saugos informacija. Kortelė turėtų būti pritvirtinta prie sistemos ar netoli jos. Sistemos kortelė 10 paveiksle parodyta kaip etiketė „E“.

2 paveiksle pavaizduoti „Lad-Saf X3“ lyno šliaužiklio komponentai. Lyno šliaužiklį sudaro viršutinis ritinėlis, atlenkiamoji šoninė plokštė, rankena, šliaužiklio korpusas, fiksavimo svirtis, apatinis ritinėlis, karabinas ir fiksavimo ekscentrikas. Viršutinis ritinėlis (A) pritvirtina lyno šliaužiklį prie lyno kartu su apatiniu ritinėliu (F). Atlenkiamoji šoninė plokštė (B) ir rankena (C) atidaromos, kad būtų galima lyno šliaužiklį uždėti ant lyno. Šliaužiklio korpusas (D) sudaro pagrindinę lyno šliaužiklio struktūrą. Fiksavimo svirtis (E) užfiksuoja lyno šliaužiklį ir apsaugo nuo netyčinio įtaiso atsidarymo. Fiksavimo ekscentrikas (H), kai užfiksotas, išlaiko lyno šliaužiklį vietoje. Karabinas (G) pritvirtinamas prie naudotojo apraišų priekinio jungiamojo žiedo.

„Lad-Saf X3“ vertikalus lyno saugos šliaužiklio ir sistemos komponentų specifikacijas žr. 1 lentelėje.

**1 lentelė. Specifikacijos**

Sistemos specifikacijos:					
Sistemos sumontavimas	Įrengimo nurodymai		Sistemos tipas	Sistemos aprašas	
	5908282		Vertikalioji	„Lad-Saf“ lanksčiojo lyno saugos sistema	
	5903435		Vertikalioji	„Lad-Saf“ lanksčiojo lyno saugos sistema su sukamuoju jungiamuoju žiedu	
„Lad-Saf“ lyno šliaužiklis	Elemento numeris	Suveikimo jėga	Maksimalus eksploatacijos ilgis	Minimali nutraukimo jėga	Svoris
	6160054	450 lbf (2,0 kN)	4,0 col. (102 mm)	3 600 lbf (16 kN)	1,0 kg – 2,1 svar.
Keliamoji galia:	Kiekvieno naudotojo bendras svoris (aprasa, įrankiai ir t. t.) turi būti nuo 88 iki 310 svarų (nuo 40 iki 140 kg). „Lad-Saf“ sistemą vienu metu gali naudoti iki keturių naudotojų, tačiau prie vieno „Lad-Saf X3“ vertikalus lyno apsaugos šliaužiklio gali būti pritvirtintas tik vienas naudotojas. Kiekvienas naudotojas turi naudoti atskirą lyno šliaužiklį.				
Inkaravimo reikalavimai:	Naudotojų skaičius		Inkaravimo elemento stiprumas	Naudotojų skaičius	
	1		2 700 lbf (12 kN)	3	
	2		3 320 lbf (14,8 kN)	4	
3 940 lbf (17,5 kN)		4 560 lbf (20,3 kN)			
Ekspluatavimo temperatūra:	nuo –40 °F iki 140 °F (nuo –40 °C iki 60 °C)				
Standartai.	Šie „Lad-Saf X3“ vertikalus lyno saugos šliaužiklis ir sistema buvo išbandyti pagal standartus, nurodytus šių naudotojo instrukcijų priekiniame viršelyje.				
Lyno specifikacijos:	„Lad-Saf X3“ lyno šliaužiklį galima naudoti tik su 3/8 col. (9,5 mm) pilnaviduriu lynu. Draudžiama naudoti su kitais lynais. Tai gali sukelti sunkių sužeidimų ar mirtį.				
	Elemento numeris	Aprašymas	Medžiaga	Minimali nutraukimo jėga	Svoris
	6104XXX / CE 6134XXX	3/8 col. (9,5 mm), 1 x 7	Cinkuotas plienas	15 400 lbf (68,4 kN)	0,27 svar. /pėd. (0,41 kg/m)
	6105XXX / CE 6135XXX	3/8 col. (9,5 mm), 1 x 7	Nerūdijantysis plienas	18 000 lbf (80 kN)	0,27 svar. /pėd. (0,41 kg/m)
	6106XXX / CE 6136XXX	3/8 col. (9,5 mm), 7 x 19	Cinkuotas plienas	14 400 lbf (64 kN)	0,27 svar. /pėd. (0,41 kg/m)
	6107XXX / CE 6137XXX	3/8 col. (9,5 mm), 7 x 19	Nerūdijantysis plienas	12 000 lbf (53,3 kN)	0,27 svar. /pėd. (0,41 kg/m)

## 1 lentelė. Specifikacijos

### Komponentų specifikacijos:

„Lad-Saf“ kopėčių saugos sistema		
1 pav. nuorodos	Komponentas	Medžiagos
Ⓐ	Viršutinė gembė	Cinkuotas plienas arba nerūdijantysis plienas
Ⓑ	Lynas	Cinkuotas plienas arba nerūdijantysis plienas
Ⓒ	Lyno šliaužiklis	Nerūdijantysis plienas
Ⓓ	Lyno kreipiklis	Uretanas
Ⓔ	Sistemos kortelė	Nerūdijantysis plienas
Ⓕ	Apatinė gembė	Cinkuotas plienas arba nerūdijantysis plienas

„Lad-Saf“ lyno šliaužiklis		
Pavyzdys, 2 pav.	Komponentas	Medžiagos
Ⓐ	Viršutinis ritinėlis	Nailonas
Ⓑ	Atlenkiamoji šoninė plokštė	Nerūdijantysis plienas
Ⓒ	Rankena	Nerūdijantysis plienas
Ⓓ	Šliaužiklio korpusas	Nerūdijantysis plienas
Ⓔ	Fiksavimo svirtis	Nerūdijantysis plienas
Ⓕ	Apatinis ritinėlis	Nailonas
Ⓖ	Karabinas	Cinkuotas plienas
Ⓗ	Fiksavimo ekscentrikas	Nerūdijantysis plienas



## 1.0 GAMINIO NAUDOJIMAS

**1.1 PASKIRTIS.** Ši „Lad-Saf™“ kopėčių saugos sistema yra asmens apsaugos nuo kritimo sistemos dalis. Naudojama su „Lad-Saf™“ atskiriamuoju lyno šliaužikliu, „Lad-Saf“ kopėčių saugos sistema suprojektuota apsaugoti darbuotoją krentant nuo stacionariųjų kopėčių ar panašių lipimo konstrukcijų.

**Tik kritimui stabdyti:** nenaudokite „Lad-Saf“ kopėčių saugos sistemos jokiems kitiems tikslams, išskyrus kritimo stabdymą.

- 1.2 STANDARTAI.** Ši kopėčių saugos sistema atitinka instrukcijos viršelyje nurodytą (-us) šalies ar regiono standartą (-us). Jei šis gaminys perparduodamas ne toje šalyje, kuriai yra skirtas, perpardavėjas turi pateikti šią instrukciją tos šalies, kurioje gaminys bus naudojamas, valstybine kalba.
- 1.3 PRIEŽIŪRA.** Naudojimas „Lad-Saf“ kopėčių saugos sistema turi būti prižiūrimas kompetentingo asmens<sup>1</sup>. Kai naudojama „Lad-Saf“ kopėčių saugos sistema, šią veiklą turi prižiūrėti kvalifikuotas asmuo<sup>2</sup>.
- 1.4 MOKYMAI.** Šią „Lad-Saf“ kopėčių saugos sistemą turi įrengti ir naudoti asmenys, kurie yra išmokyti tinkamai ja naudotis. Ši instrukcija yra privaloma darbuotojų mokymo programos dalis, kaip reikalaujama pagal šalies, regiono ar vietos standartus. Šios įrangos montuotojai yra atsakingi už tai, kad darbuotojai susipažintų su šiais nurodymais, pasirengtų tinkamai prižiūrėti įrangą ir ja naudotis, žinotų jos naudojimo charakteristikas, taikymo apribojimus ir netinkamo naudojimo pasekmes.
- 1.5 GELBĖJIMO PLANAS.** Naudodamas šią įrangą ir jungiamąją (-sias) posistemę (-es), darbdavys privalo turėti gelbėjimo planą ir paruoštas priemones jam įgyvendinti, o taip pat supažindinti su šiuo planu naudotojus, įgaliotus asmenis<sup>3</sup> ir gelbėtojus<sup>4</sup>. Rekomenduojama turėti vietoje esančią parengtą gelbėjimo grupę. Grupės nariams turi būti suteikta įranga ir nurodyta sėkmingo gelbėjimo metodika. Periodiškai turi būti vykdomi mokymai, kad gelbėtojai išlaikytų įgūdžius.
- 1.6 TIKRINIMO DAŽNUMAS.** Kopėčių saugos sistemą kiekvieną kartą prieš ją naudojant turi patikrinti naudotojas, o papildomai (ne rečiau kaip kartą per metus) – nepriklausomas kompetentingas asmuo.<sup>5</sup> Tikrinimo procedūros aprašytos „Tikrinimo ir techninės priežiūros žurnale“. Kiekvieno kompetentingo asmens atlikto patikrinimo rezultatai turi būti užregistruoti „Tikrinimo ir techninės priežiūros žurnale“.
- 1.7 PO KRITIMO.** Stabdymo jėgos paveikta „Lad-Saf“ sistema toliau naudotis draudžiama: ją būtina aiškiai pažymėti užrašu NENAUDOTI, o vėliau sunaikinti. Tada „Lad-Saf“ lyno saugos šliaužiklis ir sistema turi būti išmesti arba nusiųsti 3M pakeisti.

## 2.0 SISTEMAI KELIAMI REIKALAVIMAI

- 2.1 TVIRTINIMAS.** Tvirtinimo reikalavimai skiriasi, atsižvelgiant į apsaugos nuo kritimo apsaugos sistemą. Konstrukcija, prie kurios tvirtinama kopėčių saugos sistema, privalo atitikti 1 lentelėje apibrėžtas inkaravimo specifikacijas.
- 2.2 PAVOJAI.** Naudojant šią įrangą ten, kur yra pavojingo aplinkos poveikio tikimybė, gali tekti imtis papildomų atsargumo priemonių, kad būtų išvengta traumų ir įrangos sugadinimo. Tokie pavojai gali būti šie (ir kiti): karštis, cheminės medžiagos, korozinė aplinka, aukštos įtampos elektros linijos, sprogios arba toksiškos dujos, judančios mašinos ir virš galvos esančios medžiagos, kurios gali nukristi ir pataikyti į naudotoją arba asmeninę kritimo stabdymo sistemą.
- 2.3 „CLIMB ASSIST“ SUDERINAMUMAS.** Nenaudokite „Powered Climb Assist“ (PCA) su 3M kopėčių kritimo stabdymo sistema (CLFAS), įskaitant „Lad-Saf“ vertikalią gelbėjimo sistemą ir „Lad-Saf X2“, „X3“ ar „X3+“ atskiriamus lyno šliaužiklius, nebent PCA patikrino 3M ir patvirtino, kad yra suderinama su 3M CLFAS. Nepaisant šio įspėjimo ir naudojant nesuderinamas PCA ir CLFAS sistemas iš aukštai krentantis naudotojas gali nebūti saugiai sustabdytas. Visais klausimais kreipkitės į „3M“ technines tarnybas el paštu 3MFallProtectionTech@mmm.com.

**Naudodamiesi „Climb Assist“ sistemomis, nesuderinamomis su 3M vertikaliomis sistemomis, galite sunkiai susižeisti arba mirti.**

- 2.4 KOMPONENTŲ SUDERINAMUMAS.** 3M įranga yra pritaikyta naudoti tik su 3M patvirtintais komponentais ir posistemėmis. Nepatvirtinti komponentai ar posistemės gali pakenkti įrangos suderinamumui ir sumažinti visos sistemos saugą ir patikimumą.
- 2.5 JUNGČIŲ SUDERINAMUMAS.** Jungtys su jungiamaisiais komponentais yra suderintos, kai elementai ir jungtys suprojektuoti ir pagaminti taip, kad būtų tinkami naudoti vieni su kitais, todėl jų dydis ir forma turi būti tokia, kad fiksavimo mechanizmai negalėtų atsitiktinai atsidaryti, nepriklausomai nuo pasisukimo krypties. Jei turite klausimų dėl suderinamumo, kreipkitės į „3M“.

Jungtys (kabliai, karabinai ir jungiamieji žiedai) turi atlaikyti ne mažesnę kaip 22,2 kN (5000 lbf) apkrovą. Jungtys turi būti suderinamos su tvirtinimo ir kitais sistemos komponentais. Nenaudokite nesuderintos įrangos. Nesuderinamos jungtys gali netyčia atsikabinti (žr. 4 paveikslą). Jungtys turi būti atitinkamo dydžio, formos ir atsparumo. Jeigu jungiamasis komponentas, prie kurio tvirtinamas karabininis kablys arba karabinas, yra per mažas arba netinkamos formos, jungiamasis elementas gali suspausti karabininio kablio arba karabino fiksatorių (A). Ši jėga gali atidaryti fiksatorių (B), todėl karabininis kablys arba karabinas gali atsikabinti nuo jungimosi vietos (C).

ANSI Z359 ir OSHA reikia užsifikuojančiųjų kabliukų ir karabinų.

**1 Kompetentingas asmuo.** Asmuo, gebantis nustatyti esamus bei numatomus pavojus aplinkoje arba darbo sąlygas, kurios yra antisanitarinės, kenksmingos ar pavojingos darbuotojams, ir turintis leidimą nedelsiant imtis taisomųjų priemonių jiems pašalinti.

**2 Kvalifikuotas asmuo.** Asmuo, turintis pripažintą laipsnį, pažymėjimą arba profesinį statusą arba turėdamas didelę žinių, mokymo ir darbo patirtį sėkmingai įrodęs, kad gali išspręsti problemas, susijusias su apsaugos nuo kritimo ir gelbėjimo sistemomis, tiek, kiek to reikalauja OSHA ar kiti taikomi federaciniai, valstijos ir vietos įstatymai.

**3 Įgaliotas asmuo.** Tai asmuo, darbdavio paskirtas eiti pareigas vietoje, kurioje asmenims kyla kritimo pavojus.

**4 Gelbėtojas.** Asmuo ar asmenys, kuriems nereikia pagalbos ir kurie naudodamiesi gelbėjimo sistema vykdo gelbėjimo darbus.

**5 Tikrinimo dažnumas.** Sunkiomis darbo sąlygomis (nepalanki aplinka, ilgalaikis naudojimas ir kt.) kompetentingas asmuo sistemą turi tikrinti dažniau.

**2.6 SUJUNGIMAS.** Su šia įranga naudojami karabininiai kabliai ir karabinai turi būti užsifiksuojantieji. Pasirūpinkite, kad jungtys būtų suderinamos dydžiu, forma ir tvirtumu. Nenaudokite nesuderintos įrangos. Pasirūpinkite, kad visos jungtys būtų iki galo uždarytos ir užfiksuotos.

3M jungtys (karabininiai kabliai ir karabinai) skirtos naudoti tik taip, kaip nurodyta kiekvieno gaminio naudojimo instrukcijoje. Netinkamų jungčių pavyzdžiai parodyti 5 paveiksle. Nejunkite karabininių kablių ir karabinų:

- A. Prie jungiamojo žiedo, prie kurio jau prijungta kita jungtis.
- B. Taip, kad fiksatorius būtų veikiamas apkrovos. Plačiai atsiveriantys karabininiai kabliai neturi būti jungiami prie standartinio dydžio jungiamųjų žiedų ar panašių komponentų, dėl kurių angą veiktų papildoma apkrova arba jungiamasis žiedas būtų sukamas, nebent karabininio kablio užraktas atlaikytų 16 kN (3600 sv.) apkrovą. Patikrinkite karabininio kablio žymas, kad būtų aišku, ar jis tinka Jūsų paskirčiai.
- C. Netinkamai sukabindami, kai iš karabininio kablio arba karabino išsikišę elementai užsikabina už tvirtinimo įtaiso ir atidžiai nepažiūrėjus atrodo, kad yra tinkamai pritvirtinta prie tvirtinimo vietos.
- D. Vieno su kitu.
- E. Tiesiogiai su diržiniu arba lyniniu kobiniu arba prieraišu (nebent apraišo ir jungties gamintojo instrukcijose konkrečiai leidžiama taip jungti).
- F. Prie daikto, kurio forma ar matmenys tokie, kad karabininis kablys arba karabinas neužsidaro ir neužsifiksuoja arba jungiamas elementas gali išslysti.
- G. Tokiu būdu, kad apkrovos veikiama jungtis negalėtų būti tinkamai suliyguota.

### 3.0 MONTAVIMAS

Norėdami gauti daugiau informacijos apie „Lad-Saf“ sistemos sumontavimo procedūras, žiūrėkite gaminio įrengimo instrukcijas. Norėdami gauti daugiau informacijos, žiūrėkite IFU 5908282 arba IFU 5903435.

**3.1 PLANAVIMAS.** Prieš pradėdami dirbti, suplanuokite, ar naudosite „Lad-Saf“ kopėčių saugos sistemą. Atsižvelkite į visus veiksnius, kurie gali lemti saugą prieš kritimą, jo metu ir po to. Laikykitės visų 2 skyriuje ir 1 lentelėje nustatytų reikalavimų, apribojimų ir specifikacijų.

- Įsitikinkite, kad sistema suprojektuota reikiamam naudotojų skaičiui.
- Esama su prisijungimo prie sistemos ir atsijungimu nuo jos susijusių pavojų. Naudokite atsarginę kritimo stabdymo sistemą. Pasirūpinkite, kad prisijungimo ir atsijungimo vietose būtų tinkamų inkaravimo vietų, stovėjimo platformų ar kitų priemonių, kad būtų galima saugiai pereiti nuo vienos sistemos prie kitos.
- Tarp naudotojo pėdų ir žemiau esančio paviršiaus turi būti bent 7,0 pėdų (2,0 m) laisvojo kritimo atstumas. Naudotojas gali būti neapsaugotas nuo atsitrenkimo į žemę arba perdangą per pirmąją 7,0 pėdų (2,0 m) lipimo aukštyn arba paskutiniąją 7,0 pėdų (2,0 m) leidimosi žemyn atkarpą. Lipdami bet kuria kopėčių dalimi, kurioje nėra „Lad-Saf“ sistemos apsaugos, laikykitės tinkamos lipimo tvarkos (pvz., išlaikykite tris sąlyčio rankomis ir kojomis taškus).
- Lipdami laikykitės tinkamų saugos procedūrų. Rankoje nelaikykite įrankių arba įrangos. Lipant rankos turi būti laisvos. Nešamus daiktus pritvirtinkite taip, kad jie negalėtų nukristi ant žemiau esančių lipančiųjų. Lipkite Jums tinkamu tempu. Lipant ilgai gali prireikti keletą kartų sustoti pailsėti, kad nepervargtumėte. Poilsio pertraukėlių metu naudokitės tinkama darbo padėties nustatymo įranga. **Nelipkite** pučiant stipriam vėjui arba prastomis oro sąlygomis.
- Žiūrėkite, kad tarp lyno kreipiklių būtų tik vienas lipantysis.

**3.2 LYNO ŠLIAUŽIKLIO PRIJUNGIMAS PRIE LAIKANČIOJO LYNO.** „Lad-Saf X3“ vertikalus lyno saugos šliaužiklis turi būti sujungtas su 3M „Lad-Saf“ kopėčių saugos sistema, kad jį būtų galima naudoti. Vadovaukitės 7 pav. Toliau nurodyta, kaip prijungti „Lad-Saf X3“ lyno šliaužiklį prie „Lad-Saf“ sistemos laikančiojo lyno.

1. **Laikykite šliaužiklį taip, kad ant jo esanti „viršaus“ rodyklė (I) būtų nukreipta kilimo kryptimi.**
2. **Pasukite fiksavimo svirtį (E) į atfiksavimo padėtį.** 3 pav. parodytos užfiksuota (A) ir atfiksuota (B) fiksavimo svirties padėties. Fiksavimo svirtis yra abiejose atskiriamojo lyno šliaužiklio pusėse, kad būtų galima naudoti ir dešine, ir kaire ranka.
3. **Atitraukite atlenkiamąją šoninę plokštę (B) atgal į toliausią padėtį.** Kai atlenkiamoji šoninė plokštė atlenka į toliausią padėtį, fiksavimo svirtį (E) galima atleisti. Fiksavimo ekscentrikas (H) bus visiškai iškištas.
4. **Pasukite rankenėlę (C) iki galo į viršų.** Fiksavimo ekscentrikas bus patrauktas, kad šliaužiklį būtų galima uždėti ant lyno.
5. **Laikydami šliaužiklį vertikaliai prakiškite lyną (J) per plyšį šliaužiklio šone keliamuoju judesiu.** Lynas turi atsидurti šliaužiklio įduboje. Atleidus rankenėlę (C), atlenkiamąją šoninę plokštę (B) ir fiksavimo svirtį (E) šliaužiklis užfiksuojamas ant lyno. **Prieš naudodami patikrinkite, ar fiksavimo svirtis (E) yra užfiksuotoje padėtyje.**

**3.3 LYNO ŠLIAUŽIKLIO PRIJUNGIMAS PRIE DIRŽŲ.** Lyno šliaužiklį su viso kūno apraišomis galima jungti tiek prieš pritvirtinant lyno šliaužiklį prie „Lad-Saf“ sistemos, tiek po to. Rekomenduojama naudoti atsarginę apsaugos nuo kritimo sistemą, kai jungiama prie „Lad-Saf“ sistemos arba nuo jos atjungiama. Naudojantis šliaužikliu kylant arba leidžiantis naudotojui kyla kritimo pavojus. Naudojant „Lad-Saf“ sistemą jos didžiausias kampas visą laiką turi būti 15° vertikaliai.

Nenaudokite kitų jungiamųjų įtaisų ir nederinkite įtaisų (pvz., kobinio) su jungtimi, kuri tiekama su lyno šliaužikliu. Visada naudokite karabino jungtį, tiekiamą su lyno šliaužikliu. Nepakeiskite kitomis jungtimis.

- **KILIMAS.** Lipdami konstrukcija aukštyn visada remkitės į tris atramos taškus (rankomis ir kojomis). „Lad-Saf X3“ atskiriamasis lyno šliaužiklis judės kartu su lipančiuoju. Susidūrus su lyno kreipikliu laikantysis lynas atkabintas nuo kreipiklio. **Prasilenkdami su lyno kreipikliu arba šliaužikliui užsifiksavus nesukiokite jo rankenėlės ir neatkabinkite šliaužiklio nuo laikančiojo lyno.**
- **LEIDIMASIS.** Konstrukcija žemyn lipkite neskubėdami ir visada remkitės į tris atramos taškus (rankomis ir kojomis). Tegul „Lad-Saf X3“ atskiriamasis lyno šliaužiklis „veda“ lipantįjį žemyn. Lipant žemyn netinkamai (pvz., per daug atsilošus atgal arba blaškantis) šliaužiklis gali užsifiksuoti ant laikančiojo lyno. Jeigu šliaužiklis užstringa, palypėkite šiek tiek aukštyn, kad šliaužiklis atsifiksuotų, ir toliau leiskite konstrukcijai žemyn. Prasilenkę su kiekvienu lyno kreipikliu vėl įstatykite laikantįjį lyną į kreipiklį. **Prasilenkdami su lyno kreipikliu arba šliaužikliui užsifiksavus nesukiokite jo rankenėlės ir neatkabinkite šliaužiklio nuo laikančiojo lyno.**
- **ATJUNGIMAS.** Baigę laipiojimo darbus atjunkite lyno šliaužiklį nuo sistemos. Komponentus žr. 2 pav.
  1. Nuimkite šliaužiklį nuo lyno pasukdami fiksavimo svirtį (E).
  2. Atitraukite šoninę plokštę (B) atgal ir kelkite rankeną (C) iki galo į viršų.
  3. Dabar šliaužiklį galima atkabinti nuo lyno ir padėti į laikymo vietą.

### 4.0 NAUDOJIMAS

**4.1 PRIEŠ KIEKVIENĄ NAUDOJIMĄ.** Patikrinkite, ar darbo zona ir asmeninė kritimo stabdymo sistema (AKSS) atitinka visus 2 skyriuje nustatytus kriterijus ir ar yra parengtas oficialus gelbėjimo planas. Patikrinkite „Lad-Saf“ sistemą pagal naudotojui skirtus Tikrinimo ir priežiūros žurnalo tikrinimo punktus (2 lentelė). Jeigu patikrinus aptinkama nesaugi būklė ar defektų, nesinaudokite sistema. Nedelsdami pašalinkite sistemą iš eksploatacavimo ir aiškiai pažymėkite „NENAUDOTI“. Tada „Lad-Saf“ vertikalus lyno saugos šliaužiklis ir sistema turi būti sunaikinti arba nusiųsti 3M pakeisti.

- 4.2 SISTEMOS JUNGTYS.** „Lad-Saf“ sistema turi būti naudojama su viso kūno apraišomis. Viso kūno apraišos turi atitikti ANSI 2359.11, CSA Z259.10, EN 361 ar kitus taikomus nacionalinius, regioninius ar vietinius standartus. Norėdami tinkamai sumontuoti savo viso kūno apraišas, žiūrėkite gamintojo instrukcijas. Norėdami prijungti viso kūno apraišas, prijunkite „Lad-Saf“ sistemos karabiną prie priekinio viso kūno apraišų jungiamojo žiedo (A). Draudžiama jungti prie kitų viso kūno apraišų jungčių ar jungiamųjų žiedų.

Pagal OSHA 1910.29 ir OSHA 1926.1053 reikalavimus laikančiojo lyno ir tvirtinimo taško jungties ilgis turi neviršyti 9 colių (23 cm).

## 5.0 TIKRINIMAS

- 5.1 TIKRINIMO DAŽNUMAS.** „Lad-Saf“ sistema turi būti tikrinama 1 skyriuje nurodytu dažnumu. Tikrinimo procedūros aprašytos „Tikrinimo ir techninės priežiūros žurnale“ (2 lentelė). Visus kitus apsaugos nuo kritimo sistemos komponentus tikrinkite gamintojo instrukcijoje nurodytu dažnumu ir pagal nustatytas procedūras.
- 5.2 DEFEKTAI.** Jei patikrinimo metu paaiškėja, kad būklė nesaugi arba yra defektas, arba jei kyla abejonių dėl sistemos būklės, nedelsdami nutraukite „Lad-Saf“ sistemos naudojimą ir aiškiai pažymėkite „NENAUDOTI“. Tada „Lad-Saf“ vertikalus lyno saugos šliaužiklis ir sistema turi būti sunaikinti arba nusiųsti 3M pakeisti. Nebandykite sistemos taisyti.
- 5.3 GAMINIO NAUDOJIMO TRUKMĖ.** „Lad-Saf“ sistemos funkcinis naudojimo laikas priklauso nuo darbo sąlygų ir priežiūros. Jeigu gaminys atitinka patikros kriterijus, juo naudotis galima.

## 6.0 PRIEŽIŪRA, REMONTAS IR LAIKYMAS

- 6.1 SISTEMOS VALYMAS.** Su tikrinimu susiję aspektai aprašyti 5.0 skyriuje. Jeigu laikantis lynas smarkiai užsiteršia alyva, tepalu ar kitomis medžiagomis, nuvalykite jį šiltu muiliniu vandeniu. Nusausinkite lyną švaria sausa šluoste. Džiovinimui paspartinti netaikykite dirbtinio karščio. Nenaudokite rūgštinių arba edrių cheminių medžiagų, kurioje gali pažeisti lyną.

Papildomas techninės priežiūros ir remonto procedūras turi atlikti įgaliotas techninės priežiūros centras. Įgaliotumas turi būti raštiškas.

- 6.2 LYNŲ ŠLIAUŽIKLIO VALYMAS.** Nešvarų „Lad-Saf X3“ vertikalus lyno saugos šliaužiklį galima valyti, kaip nurodyta toliau.

1. Sumaišykite keturias dalis šilto vandens su viena dalimi švelnaus valymo tirpalo (pvz., „Simple Green“ ar panašaus tirpalo).
2. Įmerkite lyno šliaužiklį į tirpalą ir laikykite jį visą pamerktą 2–3 valandas.
3. Išimkite lyno šliaužiklį iš tirpalo ir bent 1 minutę skalaukite šiltu vandeniu. Nepamirškite pašalinti visų susikaupusių nešvarumų.
4. Prieš naudojant lyną, jį reikia džiovinti ore 24 valandas. Galima naudoti ir vėsus, dirbtinį orą.
5. Žr. 2 pav. Nedidelį kiekį tepalo užtepkite ant sukamųjų taškų (E) arba prie šoninės plokštės pagrindo (B).
6. Prieš naudojimą patikrinkite, kaip nurodyta 5.3 skyriuje. Įsitikinkite, kad į vidų nepateko nešvarumų, kurie galėtų paveikti lyno šliaužiklio veikimą.

- 6.3 LAIKYMAS IR TRANSPORTAVIMAS.** „Lad-Saf X3“ vertikalus lyno saugos šliaužiklį laikykite vėsioje, sausoje, švarioje aplinkoje, ne tiesioginėje saulės šviesoje. Venkite vietų, kur yra cheminių medžiagų garų. Po ilgalaikio sandėliavimo kruopščiai patikrinkite šliaužiklį.

„Lad-Saf“ lyno šliaužiklį vežkite dėkle, kad nebūtų apgadintas, jo nepaveiktų drėgmė ir ultravioletiniai spinduliai. Venkite korozinės, per karštos arba per šaltos aplinkos.

- 6.4 PRIEŽIŪRA.** Šią įrangą gali taisyti tik „3M“ arba raštu įgaliotos šalys. Jei „Lad-Saf“ vertikalus lyno saugos šliaužiklį ir sistemą paveikė kritimo jėga arba atlikus patikrinimą paaiškėjo, kad būklė nesaugi arba yra defektas, nedelsdami nutraukite sistemos naudojimą ir aiškiai pažymėkite „NENAUDOTI“. Tada „Lad-Saf“ vertikalus lyno saugos šliaužiklis ir sistema turi būti sunaikinti arba nusiųsti 3M pakeisti.

## 7.0 RADIJO DAŽNIO IDENTIFIKACIJOS ŽYMEKLIS

- 7.1 VIETA:** 3M gaminys, aprašytas šiose naudotojo instrukcijose, yra su radijo dažnio atpažinimo (RFID) žyma. RFID žymės gali būti naudojamos derinant su RFID žymių skaitytuvu gaminio tikrinimo rezultatams registruoti. Kur yra radijo dažnių identifikavimo žymeklis, parodyta 8 pav.

- 7.2 ŠALINIMAS:** Prieš pašalindami šį gaminį, nuimkite RFID žymeklį ir pašalinkite / perdirbkite jį pagal vietos nuostatas. Papildomos informacijos apie tai, kaip nuimti RFID žymą, pateikta svetainėje.



Neišmeskite šio gaminio su nerūšiuojamomis buitinėmis atliekomis. Perbrauktos šiukšlių dėžės su ratukais simbolis rodo, kad visa EEE (elektros ir elektroninė įranga) privalo būti pašalinta pagal vietos teisės aktus per grąžinimo ir surinkimo sistemas. Išsamesnės informacijos teiraukitės prekybos atstovo arba „3M“ vietos atstovo.

Norėdami gauti daugiau informacijos, apsilankykite mūsų svetainėje: <http://www.3M.com/FallProtection/RFID>



## 8.0 ETIKETĖS ir ŽENKLINIMAS

**8.1 ETIKETĖS.** 9 paveiksle pavaizduotos etiketės vietos ant „Lad-Saf“ kopėčių saugos sistemos. 10 paveiksle detaliai iliustruojama kiekviena etiketė. Etiketės be nurodytos sistemos vietos turi būti dedamos šalia „Lad-Saf“ sistemos. Kiekvienoje etiketėje pateikiama toliau nurodyta informacija.

<b>A</b>	A) Lyno šliaužiklio modelio numeris B) Serijos numeris C) Įspėjimas – laikykitės visų naudojimo instrukcijų. D) Perskaitykite visas naudojimo instrukcijas. E) Ne daugiau kaip vienas naudotojas. F) Taikomas standartas G) Notifikuotosios įstaigos informacija H) Naudotojo svorio reikalavimai
<b>B</b>	A) Lyno šliaužiklio naudojimo padėtis „aukštyn“.
<b>C</b>	A) Maksimalus leidžiamas atstumas tarp sistemos lyno ir apraišų tvirtinimo taško turi neviršyti 9,0 colių (23 cm). B) Nenaudokite lyno šliaužiklio su kobiniu. Jokiu būdu nekeiskite sistemos.
<b>D</b>	ID / serijos numeris (YYMMWWTT): YY = paskutiniai du pagaminimo metų skaitmenys. MM = pagaminimo mėnuo. WW = pagaminimo metų savaitė. TT = tik vidiniam „3M“ naudojimui.
<b>E</b>	1) Įdiegimo data 2) Įdiegė 3) Inkaravimo reikalavimai 4) Maksimalus vienos sistemos naudotojų skaičius 5) Sistemos ilgis 6) Pagaminimo data 7) Patikros data 8) Serijos numeris 9) Sistemos įspėjimai 10) Lyno tipo ir šliaužiklio suderinamumo matrica pagal standartų reikalavimus. 11) RFID žyma (žr. 7.0 skyrių)

## 2 lentelė. Tikrinimo ir priežiūros žurnalas

Patikrinimo data:		Patikrinimą atliko:	
Komponentas:	Tikrinimas. <i>(Tikrinimo dažnumą žr. 2 skyriuje)</i>	Naudo- tojas	Kompe- tingas asmuo
Lyno šliaužiklis (2 pav.)	Patikrinkite, ar rankenoje (C) nėra lenkimų, įtrūkimų ir deformacijų. Visi tvirtinimo elementai turi būti patikimai pritvirtinti. Rankenėlė ir ekscentrikas turi judėti laisvai ir sklandžiai. Spyruoklės turi laikytis tvirtai ir būti pakankamai stiprios, kad nulenkėtų rankenėlę žemyn. Rankena taip pat veikia kaip energijos sugėriklis ir kritimo indikatorius. Rankena bus deformuota, jei ji buvo panaudota kritimui sustabdyti. 11.3 paveiksle pavaizduota rankena, kuri nebuvo naudojama kritimui stabdyti (A), ir rankena, kuri buvo naudojama kritimui stabdyti ir yra deformuota (B). Jei rankenėlė deformuota labiau nei $A = 1/2 \text{ col.}$ (12,7 mm), nenaudokite. Privaloma nustoti naudoti šliaužiklį.	<input type="checkbox"/>	<input type="checkbox"/>
	Patikrinkite, ar gerai veikia fiksavimo svirtis (E) – ar atleista ji atšoka atgal į užfiksavimo padėtį.	<input type="checkbox"/>	<input type="checkbox"/>
	Patikrinkite, ar fiksavimo ekscentrikas (H) nėra nusidėvėjęs. Įsitikinkite, kad ekscentrikas nepažeistas.	<input type="checkbox"/>	<input type="checkbox"/>
	Patikrinkite fiksavimo ekscentriką (H): laikykite šliaužiklį vertikaliai rankenėlei (C) esant vertikaloje padėtyje ir pakratykite šliaužiklį aukštyn ir žemyn imituodami kritimą. Ekscentrikas turi laisvai sukiojotis.	<input type="checkbox"/>	<input type="checkbox"/>
	Patikrinkite fiksavimo ekscentriką (H): laikykite šliaužiklį horizontaliai rankenėlei (C) esant vertikaloje padėtyje ir padėkite šliaužiklį galine puse ant lygaus paviršiaus „Lad-Saf X3“ etikete į viršų. Ekscentrikas turi iki galo pasisukti aukštyn link šliaužiklio viršaus.	<input type="checkbox"/>	<input type="checkbox"/>
	Patikrinkite šoninę plokštę (B): atitraukite ją atgal bandydami atverti lyno plyšį. Ji turi neatsilenkti. Jei ji atsilenkia nepasukus fiksavimo svirties (E), nesinaudokite šliaužikliu.	<input type="checkbox"/>	<input type="checkbox"/>
	Patikrinkite visą įrenginį, ar nėra korozijos požymių.	<input type="checkbox"/>	<input type="checkbox"/>
Viršutinė gembė (11.2 paveikslas)	Patikrinkite, ar tinkamai įrengta pagal „Lad-Saf™“ lanksčiojo lyno vertikaliosios saugos sistemos įrengimo instrukciją, 3M apsaugos nuo kritimo vadovą Nr. 5908282 arba Nr. 5903435.	<input type="checkbox"/>	<input type="checkbox"/>
	Patikrinkite, ar nesimato pažeidimų ir korozijos. Žiūrėkite, ar nėra įtrūkių, sulenkimų ar nusidėvėjimo, kurie galėtų pakenkti sistemos stiprumui ir veikimui. Patikrinkite suvirinimo siūles. Žiūrėkite, ar nėra sutrūkinėjusių arba nutrūkusių suvirinimo siūlių, kurios sumažintų gembės stiprumą. Jeigu randate defektų, pakeiskite dalis.	<input type="checkbox"/>	<input type="checkbox"/>
	Žiūrėkite, ar nėra atsipalaidavusių arba pamestų tvirtinimo elementų, kuriais viršutinė gembė tvirtinama prie konstrukcijos (varžtai, suspaudimo plokštelės, „U“ formos varžtai). Jeigu tvirtinimo elementai atsipalaidavę, priveržkite su „Lad-Saf“ lanksčiojo lyno saugos sistema pateiktoje įrengimo instrukcijoje nurodytu sukimo momentu.	<input type="checkbox"/>	<input type="checkbox"/>
	Patikrinkite, ar viršutinė plokštė nedeformuota. Plyšys A vietoje turi būti mažiausiai 0,20 col. (5 mm).	<input type="checkbox"/>	<input type="checkbox"/>
	Įsitikinkite, kad ir didelis kaištis (B), ir mažas kaištis yra savo vietose. Patikrinkite, ar spyruoklinis fiksatorius (C) yra savo vietoje.	<input type="checkbox"/>	<input type="checkbox"/>
	Patikrinkite, ar vieno taško inkaras (D) neištrūkęs ir ant jo nėra pažeidimo požymių. Patikrinkite tvirtinimo elemento sukimo momentą. Įsitikinkite, kad poveržlės žymenys matomi.	<input type="checkbox"/>	<input type="checkbox"/>
	Patikrinkite, ar tinkamai įrengta pagal „Lad-Saf™“ lanksčiojo lyno vertikaliosios saugos sistemos įrengimo instrukciją, 3M apsaugos nuo kritimo vadovą Nr. 5908282 arba Nr. 5903435.	<input type="checkbox"/>	<input type="checkbox"/>
Apatinė gembė (11.1 paveikslas)	Patikrinkite, ar nėra pažeidimų ir korozijos. Žiūrėkite, ar nėra įtrūkių, sulenkimų ar nusidėvėjimo, kurie galėtų pakenkti sistemos stiprumui ir veikimui. Jeigu randate defektų, pakeiskite dalis.	<input type="checkbox"/>	<input type="checkbox"/>
	Žiūrėkite, ar nėra atsipalaidavusių arba pamestų tvirtinimo elementų, kuriais apatinė gembė tvirtinama prie konstrukcijos. Jeigu tvirtinimo elementai atsipalaidavę, priveržkite su „Lad-Saf“ lanksčiojo lyno kopėčių saugos sistema pateiktoje įrengimo instrukcijoje nurodytu sukimo momentu.	<input type="checkbox"/>	<input type="checkbox"/>
	Patikrinkite įtempimo strypo sąranką. Įsitikinkite, kad balniniai užspaudai saugiai išlaiko lyną. Patikrinkite balninių užspaudų priveržimo sukimo momentą; priveržkite 35 pėd. į sv. (47 N į m). Jeigu aptinkate defektų, pakeiskite arba priveržkite.	<input type="checkbox"/>	<input type="checkbox"/>
		<input type="checkbox"/>	<input type="checkbox"/>

**2 lentelė. Tikrinimo ir priežiūros žurnalas**

Patikrinimo data:		Patikrinimą atliko:	
Komponentas:	Tikrinimas. <i>(Tikrinimo dažnumą žr. 2 skyriuje)</i>	Naudo- tojas	Kompe- tentingas asmuo
Lyno kreipikliai (1 paveikslas)	Patikrinkite, ar nepažeisti lyno kreipikliai. Žiūrėkite, ar nesusidėvėjęs ir nepažeistas juodas uretanas. Lyno kreipikliai turi laikyti lyną ir neleisti lynui liestis prie kopėčių ar konstrukcijos. Lyno kreipikliai turi būti sumontuoti apytiksliai kas 20–40 pėd. (6–12 m) išilgai laikančiojo lyno arba, jei reikia, mažesniais intervalais. Jeigu randate defektų, pakeiskite dalis.	<input type="checkbox"/>	<input type="checkbox"/>
	Patikrinkite lyno kreipiklių tvirtinimo elementus. Tvirtinimo elementai turi saugiai laikyti kreipiklį vietoje. Jeigu reikia, priveržkite.	<input type="checkbox"/>	<input type="checkbox"/>
Lynas (1 paveikslas)	Patikrinkite, ar nėra lyno korozijos, susisukimų ar pažeidimų, kurie sumažintų stiprumą ir trukdytų šliaužikliui slinkti lynu. Jeigu ant kopėčių saugos lyno yra kokių nors įpjovų arba susisukimų, prieš naudojant lyną jį turi patikrinti kompetentingas asmuo. Patikrinkite, ar nėra trynimosi į kopėčias arba konstrukciją požymių. Jeigu randate defektų, pakeiskite lyną.	<input type="checkbox"/>	<input type="checkbox"/>
	Patikrinkite, ar įtempta tinkamai. Griovelis turi būti matomas virš apatinio šablono (žr. E 11.1 pav.). Jūs neturėtumėte sugebėti patempti strypo žemyn rankomis. Lynas turi būti pakankamai įtemptas, kad nesiliestų prie kopėčių ar konstrukcijos. Jeigu reikia, įtempkite lyną. Neįtempkite sistemos per daug.	<input type="checkbox"/>	<input type="checkbox"/>
Etiketės (9 paveikslas)	Įsitikinkite, kad visos etiketės yra ir yra lengvai įskaitomos.	<input type="checkbox"/>	<input type="checkbox"/>
AKSS ir kita įranga	Su inkaravimo sistema naudojama papildoma asmeninės kritimo stabdymo sistemos (AKSS) įranga (apraišos, IĮ ir kt.) turi būti parengtos ir tikrinamos pagal gamintojo nurodymus.	<input type="checkbox"/>	<input type="checkbox"/>
Konstrukcija	Patikrinkite, ar konstrukcija, prie kurios tvirtinama sistema, atitinka 1 lentelės stiprumo reikalavimus visomis įmanomomis apkrovos kryptimis.	<input type="checkbox"/>	<input type="checkbox"/>

<b>Serijos numeris (-iai):</b>	<b>Pirkimo data:</b>
<b>Modelio numeris (-iai):</b>	<b>Naudojimo pradžios data:</b>

<b>Taisomieji veiksmai / priežiūra:</b>	Patvirtino:	Kita patikra numatyta:
	Data:	
<b>Taisomieji veiksmai / priežiūra:</b>	Patvirtino:	Kita patikra numatyta:
	Data:	
<b>Taisomieji veiksmai / priežiūra:</b>	Patvirtino:	Kita patikra numatyta:
	Data:	
<b>Taisomieji veiksmai / priežiūra:</b>	Patvirtino:	Kita patikra numatyta:
	Data:	
<b>Taisomieji veiksmai / priežiūra:</b>	Patvirtino:	Kita patikra numatyta:
	Data:	
<b>Taisomieji veiksmai / priežiūra:</b>	Patvirtino:	Kita patikra numatyta:
	Data:	
<b>Taisomieji veiksmai / priežiūra:</b>	Patvirtino:	Kita patikra numatyta:
	Data:	
<b>Taisomieji veiksmai / priežiūra:</b>	Patvirtino:	Kita patikra numatyta:
	Data:	
<b>Taisomieji veiksmai / priežiūra:</b>	Patvirtino:	Kita patikra numatyta:
	Data:	
<b>Taisomieji veiksmai / priežiūra:</b>	Patvirtino:	Kita patikra numatyta:
	Data:	



Pirms šīs vertikālās sistēmas lietošanas, lūdzu, izlasiet, saprotiet un ievērojiet visu šajā instrukcijā sniegto drošības informāciju. **NORĀDĪJUMU NEIEVĒROŠANA VAR IZRAISĪT NOPIETNAS TRAUMAS VAI NĀVI.**

Šī instrukcija obligāti jāizsniedz ekipējuma lietotājam. Saglabājiet šo instrukciju, lai varētu to izmantot arī turpmāk.

## Paredzētais lietojums:

Šo vertikālo sistēmu ir paredzēts izmantot kā daļu no individuālās pretkritiena aizsardzības iekārtas.

Citādu lietojumu: tajā skaitā, bet ne tikai, atpūtas vai sporta aktivitātēs vai citās aktivitātēs, kas šajā Produkta instrukcijā nav aprakstītas, 3M nav apstiprinājis, un lietošana neparedzētiem nolūkiem var izraisīt smagus savainojumus vai nāvi.

Šī ierīce paredzēta lietošanai tikai apmācītiem lietotājiem darba vietās.



## BRĪDINĀJUMS!

Šī elastīgās/cietās slīdes sistēma ir daļa no individuālās kritiena aizsardzības sistēmas. Visiem lietotājiem jābūt pilnībā apmācītiem savas individuālās pretkritieni aizsardzības iekārtas drošā instalēšanā. **Šīs ierīces nepareiza lietošana var izraisīt smagas traumas vai nāvi.** Pareizas atlases, lietošanas, uzstādīšanas, uzturēšanas un apkopes nolūkos skatiet šo Produkta instrukciju un visas ražotāja rekomendācijas, konsultējieties ar savu tiešo vadītāju vai sazinieties ar 3M tehnisko dienestu.

- **Darbs ar elastīgās/cietās slīdes sistēmu ir saistīts ar riskiem, kuri var izraisīt smagus savainojumus vai nāvi, ja no tiem neizvairās. Lai mazinātu šos riskus, rīkojieties, kā norādīts tālāk.**
  - Pirms katras lietošanas reizes, vismaz reizi gadā un pēc katra kritiena pārbaudiet visas sistēmas sastāvdaļas. Pārbaudi veiciet atbilstoši Produkta instrukcijām.
  - Ja pārbaudē konstatējat sistēmas sastāvdaļas nedrošu vai defektīvu stāvokli, izņemiet šo sastāvdaļu no lietošanas un iznīciniet to.
  - Jebkura elastīgās/cietās slīdes sistēma, kas bijusi pakļauta kritiena bloķēšanas vai trieciena spēkam, nekavējoties jāizņem no lietošanas, un pirms atkārtotas lietošanas visas tās sastāvdaļas jāpārbauda kompetentai personai.
  - Nepievienojieties sistēmai tās uzstādīšanas laikā.
  - Pārliecinieties, ka sistēma ir paredzēta lietotāju skaitam, kas lieto to vienlaikus.
  - Izpakojojot trosi, tā var strauji iztīties. Kad izpakojojat trosi, izmantojiet pareizas drošības procedūras un atbilstošu individuālo aizsardzības aprīkojumu.
  - Pievienojot ķermeņa uzskabi sistēmai, izmantojiet tikai apstiprinātus savienotājus. Nelietojiet papildu savienošanas ierīces.
  - Lietojiet tikai trosi, kas norādīta un apstiprināta Produkta instrukcijās.
  - Netraucējiet atspoles/uzmavas ierīces bloķējošo darbību. Ar ierīci veiciet tikai tās manipulācijas, kas nepieciešamas, lai to pievienotu un atvienotu no sistēmas.
  - Kāpjot vienmēr saglabājiet trīs saskares punktus. Papildu informāciju par pareizu kāpšanas tehniku skatīt Produkta instrukcijā.
  - Pārliecinieties, ka visas kritiena aizsardzības sistēmas/apakšsistēmas, kas sastāv no atšķirīga ražojuma elementiem, ir savstarpēji saderīgas un atbilst piemērojamiem standartiem, ieskaitot ANSI Z359 vai citus piemērojamos kritiena aizsardzības kodeksus, standartus vai prasības. Pirms šo sistēmu lietošanas vienmēr konsultējieties ar kompetentu un/vai kvalificētu speciālistu.
- **Lai mazinātu riskus, kuri saistīti ar darbu augstumā un kuri, ja netiek novērsti, var izraisīt nopietnas traumas vai nāvi, ievērojiet tālāk norādīto.**
  - Pārliecinieties, ka jūsu veselības un fiziskais stāvoklis ļauj jums droši izturēt visu ar darbu augstumā saistīto slodzi. Ja jums ir jautājumi par savu spēju šo ekipējumu lietot, konsultējieties ar savu ārstu.
  - Nekad nepārsniedziet aizsardzības pret nokrišanu no augstuma ekipējuma pieļaujamo veikspēju.
  - Nekad nepārsniedziet aizsardzības pret nokrišanu no augstuma ekipējuma maksimālo brīvā kritiena distanci.
  - Neizmantojiet aizsardzības pret nokrišanu no augstuma ekipējumu, ja tas nav izturējis pirmslietošanas vai citas plānotās pārbaudes, vai gadījumā, ja jums ir bažas par ekipējuma lietošanu vai piemērotību lietošanai. Ar visiem jautājumiem vērsieties pie 3M tehniskā dienesta.
  - Dažas apakšsistēmu un sastāvdaļu kombinācijas var traucēt šī ekipējuma darbību. Lietojiet tikai saderīgus savienojumus. Pirms šī ekipējuma lietošanas kombinācijā ar tādām sastāvdaļām vai apakšsistēmām, kas nav aprakstītas šajā lietošanas instrukcijā, konsultējieties ar 3M.
  - Strādājot kustīgu ierīču tuvumā (piem., naftas platformu augšējās piedziņas sistēmās), apstākljos, kad pastāv elektriskās strāvas trieciena, pārmērīgu temperatūru, ķīmiskā apdraudējuma, sprādzienbīstamu vai toksisku gāžu, asu šķautņu radīts risks, vai zem materiāliem, kas var uzkrīst jums vai jūsu kritiena aizsardzības ekipējumam, ievērojiet īpašu piesardzību.
  - Strādājot lielā karstumā, lietojiet Arc Flash vai Hot Works ierīces.
  - Izvairieties no virsmām un priekšmetiem, kas var kaitēt lietotājam vai ekipējumam.
  - Strādājot augstumā, nodrošiniet pienācīgu kritiena klīrensu.
  - Nekad nepārveidojiet un nepārtaisiet savu aizsardzības pret nokrišanu no augstuma ekipējumu. Aprīkojumu labot drīkst tikai 3M un puses, kas saņēmušas rakstisku atļauju no 3M.
  - Pirms aizsardzības pret nokrišanu no augstuma ekipējuma lietošanas pārliecinieties, ka pastāv spēkā esošs glābšanas plāns, kas kritiena gadījumā ļauj veikt tūlītējus glābšanas darbus.
  - Kritiena gadījumā nekavējoties izsauciet medicīnisko palīdzību kritušā strādnieka aprūpei.
  - Neizmantojiet ķermeņa jostu kritiena bloķēšanai. Izmantojiet tikai pilnu ķermeņa ekipējumu.
  - Lai pēc iespējas samazinātu svārsta kritienu iespējamību, strādājiet pēc iespējas tuvāk vietai tieši zem enkurpunkta.
  - Mācoties lietot šo iekārtu, jāizmanto papildu kritiena aizsardzības sistēma tādā veidā, kas nepakļauj apmācāmo neparedzēta kritiena riskam.
  - Uzstādot, lietojot vai pārbaudot ierīci/sistēmu, vienmēr lietojiet atbilstošu individuālo aizsardzības ekipējumu.

Pirms šī aprīkojuma uzstādīšanas un lietošanas pierakstiet produkta identifikācijas datus no ID marķējuma šīs rokasgrāmatas beigās esošajā „Pārbaudes un apkopes žurnālā” (2. tabula).

Vienmēr pārliecinieties, vai izmantojat jaunāko 3M instrukciju rokasgrāmatu. Apmeklējiet 3M vietni vai sazinieties ar 3M tehnisko dienestu, lai saņemtu atjauninātu instrukciju rokasgrāmatu.

## IZSTRĀDĀJUMA APRAKSTS

1. attēlā parādīta 3M™ DBI-SALA® Lad-Saf™ kāpņu drošības sistēma. Lad-Saf kāpņu drošības sistēma ir veidota, lai aizsargātu strādājošo kritiena gadījumā, kāpjot pa nekustīgām kāpnēm vai līdzīgu kāpšanai paredzētu konstrukciju. Lad-Saf sistēma sastāv no augšējā kronšteina, stieple trosses, troses uzmavas, troses vadotnes, sistēmas birkas un apakšējā kronšteina. Augšējais kronšteins (A) ir piestiprināts kāpņu augšdaļā un noenkuro trosi (B), salāgojot to ar apakšējo kronšteinu (F), kas ir piestiprināts kāpņu apakšdaļā. Troses uzmava (C) pārvietojas uz augšu un uz leju kopā ar lietotāju un tiek piestiprināta pie lietotāja ķermeņa ekipējuma priekšējā D veida gredzena. Troses vadotne (D) nodrošina, ka trosē paliek savā vietā. Sistēmas birkā (E) ir sniegta svarīga informācija par drošību, un tā ir jānovieto uz sistēmas vai tās tuvumā. Sistēmas birka ir redzama kā E atzīme 10. attēlā.

2. attēlā parādīti Lad-Saf X3 troses uzmavas komponenti. Troses uzmava sastāv no augšējā rullīša, pagriežamās sānu plāksnes, roktura, uzmavas korpusa, noslēdzošās sviras, apakšējā rullīša, karabīnes un fiksācijas rullīša. Augšējais rullītis (A) nostiprina troses uzmavu pie troses, salāgojot to ar apakšējo rullīti (F). Pagriežamā sānu plāksne (B) un rokturis (C) ir atverami, lai troses uzmavu varētu novietot uz troses. Uzmavas korpus (D) veido troses uzmavas galveno konstrukciju. Noslēdzošā svira (E) bloķē troses uzmavu un novērš nejausu ierīces atvēršanos. Fiksācijas ritenītis (H) notur troses uzmavu vietā. Karabīne (G) tiek piestiprināta pie lietotāja ķermeņa pilnekipējuma priekšējā D veida gredzena.

Lad-Saf X3 vertikālās troses drošības uzmavas un sistēmas komponentu specifikācijas skatiet 1. tabulā.

**1. tabula – Specifikācijas**

Sistēmas specifikācijas					
Sistēmas uzstādīšana	Uzstādīšanas instrukcijas		Sistēmas veids		Sistēmas apraksts
	5908282		Vertikāla		Lad-Saf lokanās troses drošības sistēma
	5903435		Vertikāla		Lad-Saf lokanās troses drošības sistēma ar šarnīra D veida gredzenu
Lad-Saf kabeļa uzmava	Daļas numurs	Aktivizēšanas spēks	Maksimālais izvietojšanas garums	Minimālā robežstiprība	Svars
	6160054	2,0 kN (450 lbf)	102 mm (4,0 collas)	16 kN (3600 lbf)	1,0 kg (2,1 mārciņa)
Celbspēja	Katra lietotāja kopējam svaram (apģērbam, instrumentiem utt.) jābūt no 40 kg līdz 140 kg (no 88 mārciņām līdz 310 mārciņām). Lad-Saf sistēmu var izmantot līdz četriem lietotājiem vienlaikus, bet katrai Lad-Saf X3 vertikālajai troses drošības uzmavai drīkst pievienot tikai vienu lietotāju. Papildu lietotājiem ir jāizmanto citas troses uzmavas.				
Enkurojuma prasības	Lietotāju skaits	Enkurojuma stiprums		Lietotāju skaits	Enkurojuma stiprums
	1	12 kN (2700 lbf)		3	17,5 kN (3940 lbf)
	2	14,8 kN (3320 lbf)		4	20,3 kN (4560 lbf)
Darba temperatūra	No -40 °C līdz 60 °C (no -40 °F līdz 140 °F)				
Standarti.	Lad-Saf X3 vertikālā troses drošības uzmava un sistēma ir pārbaudīta saskaņā ar standartiem, kas norādīti uz šīs lietotāja rokasgrāmatas priekšējā vāka.				
Troses specifikācijas	Lad-Saf X3 troses uzmavu drīkst izmantot tikai kopā ar trosēm 9,5 mm (3/8 collu) diametrā ar viengabala serdi. Lietošana kopā ar jebkādam citām trosēm ir aizliegta un var izraisīt smagas traumas vai nāvi.				
	Daļas numurs	Apraksts	Materiāls	Minimālā robežstiprība	Svars
	6104XXX / CE 6134XXX	9,5 mm (3/8 collas), 1 x 7	Galvanizēts tērauds	68,4 kN (15 400 lbf)	0,41 kg/m (0,27 mārc./uz pēdu)
	6105XXX / CE 6135XXX	9,5 mm (3/8 collas), 1 x 7	Nerūsējošais tērauds	80 kN (18 000 lbf)	0,41 kg/m (0,27 mārc./uz pēdu)
	6106XXX / CE 6136XXX	9,5 mm (3/8 collas), 7 x 19	Galvanizēts tērauds	64 kN (14 400 lbf)	0,41 kg/m (0,27 mārc./uz pēdu)
6107XXX / CE 6137XXX	9,5 mm (3/8 collas), 7 x 19	Nerūsējošais tērauds	53,3 kN (12 000 lbf)	0,41 kg/m (0,27 mārc./uz pēdu)	

## 1. tabula – Specifikācijas

### Sastāvdaļu specifikācijas

#### Lad-Saf kāpņu drošības sistēma

1. attēla norāde:	Sastāvdaļa	Materiāli
Ⓐ	Augšējais kronšteins	Galvanizēts tērauds vai nerūsējošais tērauds
Ⓑ	Trose	Galvanizēts tērauds vai nerūsējošais tērauds
Ⓒ	Troses uzmava	Nerūsējošais tērauds
Ⓓ	Troses vadotne	Uretāns
Ⓔ	Sistēmas birka	Nerūsējošais tērauds
Ⓕ	Apakšējais kronšteins	Galvanizēts tērauds vai nerūsējošais tērauds

#### Lad-Saf kabeļa uzmava

2. attēla norāde	Sastāvdaļa	Materiāli
Ⓐ	Augšējais rullītis	Neilons
Ⓑ	Rotējošā sānu plāksne	Nerūsējošais tērauds
Ⓒ	Rokturis	Nerūsējošais tērauds
Ⓓ	Uzmavas korpuss	Nerūsējošais tērauds
Ⓔ	Noslēgšanas svira	Nerūsējošais tērauds
Ⓕ	Apakšējais rullītis	Neilons
Ⓖ	Karabīne	Cinkots tērauds
Ⓗ	Fiksācijas ritenītis	Nerūsējošais tērauds

## 1.0. IZSTRĀDĀJUMA LIETOŠANA

- 1.1. MĒRĶIS:** Lad-Saf™ kāpņu drošības sistēma ir daļa no individuālās pretkritiena aizsardzības sistēmas. Lietojot kopā ar Lad-Saf™ noņemamo troses uznavu, Lad-Saf kāpņu drošības sistēma ir paredzēta strādājošā aizsardzībai kritiena gadījumā, kāpjot pa nekustīgām kāpnēm vai līdzīgu kāpšanas konstrukciju.

**Tikai kritiena bloķēšanai:** nelietojiet Lad-Saf kāpņu drošības sistēmu nekādiem citiem mērķiem, izņemot kritiena bloķēšanu.

- 1.2. STANDARTI.** Kāpņu drošības sistēma atbilst nacionālajiem un reģionālajiem standartiem, kas norādīti uz šīs rokasgrāmatas priekšējā vāka. Ja šo izstrādājumu atkārtoti pārdod ārpus sākotnējās izcelsmes valsts, tālāk pārdevējam jānodrošina, lai šī instrukcija būtu pieejama tās valsts valodā, kur šo izstrādājumu lieto.
- 1.3. UZRAUDZĪBA:** Lad-Saf kāpņu drošības sistēmas izmantošana jāuzrauga kompetentai personai<sup>1</sup> Lad-Saf kāpņu drošības sistēmas uzstādīšana jāuzrauga kvalificētai personai<sup>2</sup>.
- 1.4. APMĀCĪBA:** Lad-Saf kāpņu drošības sistēmu drīkst uzstādīt un lietot tikai personas, kas apmācītas pareizā sistēmas lietošanā. Šī rokasgrāmata jāizmanto darbinieku apmācības programmā atbilstoši nacionālām, reģionālām vai vietējām prasībām. Šī aprīkojuma uzstādītāju pienākums ir iepazīties ar šiem norādījumiem, iziet apmācības par aprīkojuma pareizo apkopi un lietošanu un pārzināt šī aprīkojuma lietošanas raksturlielumus, lietošanas ierobežojumus un nepareizas lietošanas sekas.
- 1.5. GLĀBŠANAS PLĀNS:** lietojot šo ekipējumu un savienojošās apakšsistēmas, darba devējam nepieciešams glābšanas plāns un līdzekļi šī plāna īstenošanai un lietotāju, pilnvarotu personu<sup>3</sup> un glābēju iepazīstināšanai ar šo plānu<sup>4</sup> Ieteicams, ka uz vietas ir apmācīta glābšanas komanda. Komandas locekļiem jābūt apgādātiem ar aprīkojumu un tehniku veiksmīgas glābšanas veikšanai. Lai nodrošinātu glābēju prasmi, jāveic regulāra apmācība.
- 1.6. PĀRBAUDES BIEŽUMS:** kāpņu drošības sistēmas pārbaude lietotājam jāveic pirms katras lietošanas reizes, turklāt ne retāk kā reizi gadā pārbaude jāveic kompetentai personai, kas nav lietotājs.<sup>5</sup> Pārbaudes procedūras ir aprakstītas "Pārbaudes un apkopes žurnālā". Katras kompetentās personas veiktas pārbaudes rezultāti jāreģistrē "Pārbaudes un apkopes žurnālā".
- 1.7. PĒC KRITIENA.** ja Lad-Saf sistēma ir tikusi pakļauta kritiena bloķēšanas spēku iedarbībai, sistēma nekavējoties jāizņem no lietošanas un skaidri jāmarķē ar uzrakstu "NEIZMANTOT". Pēc tam Lad-Saf troses drošības uznavu un sistēma ir jāutilizē vai jānosūta 3M nomaīņai.

## 2.0. SISTĒMAS PRASĪBAS

- 2.1. ENKUROJUMS:** enkurojuma prasības mainās atkarībā no kritiena aizsardzības izmantošanas. Struktūrai, uz kuras uzstāda vai montē kāpņu drošības sistēmu, jāatbilst enkurojuma specifikācijām, kas definētas 1. tabulā.
- 2.2. RISKI:** šī aprīkojuma izmantošana vietās, kur pastāv vides riski, prasa papildu piesardzības pasākumus, lai novērstu lietotāja traumatismu vai aprīkojuma bojājumu. Riski var ietvert, bet ne tikai: lielu karstumu, kodīgām ķīmikālijām, kodīgu vidi, augstsprieguma līnijas, sprādzienbīstamas vai indīgas gāzes, kustīgus mehānismus vai materiālus virs galvas, kas var krist un saskarties ar lietotāju vai individuālās kritiena bloķēšanas sistēmu.
- 2.3. SADERĪBA AR KĀPŠANAS PALĪGIERĪCĒM:** Nelietojiet elektriskās kāpšanas palīgierīces (Powered Climb Assist — PCA) kopā ar 3M kāpņu kritiena bloķēšanas sistēmu (Climbing Ladder Fall Arrest System — CLFAS), ieskaitot Lad-Saf vertikālo glābšanas sistēmu un Lad-Saf X2, X3 vai X3+ noņemamās troses uznavas, ja vien uzņēmums 3M nav apstiprinājis PCA saderību ar 3M CLFAS. Ja netiek ievērots šis brīdinājums un ja kritiens no augstuma notiek, izmantojot nesaderīgas PCA un CLFAS sistēmas, lietotāja kritiens var netikt droši bloķēts. Ar visiem jautājumiem vērsieties pie 3M tehniskā dienesta, rakstot uz adresi 3MFallProtectionTech@mmm.com.

**Izmantojot kāpšanas palīgsistēmas, kas nav saderīgas ar 3M vertikālajām sistēmām, var rasties nopietnas traumas vai nāve.**

- 2.4. SASTĀVDAĻU SAVIETOJAMĪBA.** 3M ekipējumu paredzēts lietot tikai kopā ar 3M apstiprinātiem elementiem un apakšsistēmām. Aizvietošana vai nomaīņa, izmantojot neapstiprinātus elementus vai apakšsistēmas, var apdraudēt ekipējuma savietojamību un var ietekmēt visas sistēmas drošumu un uzticamību.
- 2.5. SAVIENOTĀJU SADERĪBA:** Savienojumi tiek uzskatīti par savietojamiem ar savienojošajiem elementiem, ja tie ir paredzēti lietošanai kopā tādā veidā, ka to izmēri un forma neizraisa to slēdzējmechānismu nejaušu atvēršanos neatkarīgi no novietojuma virziena. Ja jums ir jautājumi par savietojamību, sazinieties ar 3M.

Savienotājiem (āķiem, karabīnēm un D veida gredzeniem) jāspēj izturēt vismaz 22,2 kN (5000 mārciņu) liela slodze. Savienojumiem jābūt savietojamiem ar enkurojumu un citiem sistēmas elementiem. Neizmantojiet nesavietojamu ekipējumu. Nesavietojami savienotāji var negaidīti atvienoties (skatiet 4. attēlu). Savienojumiem jābūt savietojamiem izmēra, formas un izturības ziņā. Ja savienojošais elements, kam pievienots fiksējošais āķis vai karabīne, ir pārāk mazs vai neregulāras formas, var veidoties situācija, kad savienojošais elements spiež uz fiksējošā āķa vai karabīnes slēdzējmechānismu (A). Šāds spiediens var izraisīt slēdzējmechānisma atvēršanos (B), ļaujot fiksējošam āķim vai karabīnei atvienoties no savienojuma punkta (C).

ANSI Z359 un OSHA pieprasa izmantot pašfiksējošos āķus un karabīnes.

- 1 Kompetentā persona:** persona, kura spēj identificēt esošos un paredzamos riskus apkārtņē un darba apstākļus, kuri ir antisantitāri, kaitīgi vai bīstami darbiniekiem, un kura ir pilnvarota nekavējoties veikt koriģējošus pasākumus attiecīgo risku vai apstākļu novēršanai.
- 2 Kvalificēta persona:** persona, kurai ir atzīts grāds, sertifikāts vai profesionālais statuss vai kura, pateicoties plašām zināšanām, apmācībai un pieredzei, ir sekmīgi pierādījusi savu spēju atrisināt vai novērst problēmas, kas saistītas ar pretkritiena aizsardzības un glābšanas sistēmām, tādā apjomā, kā to pieprasa OSHA vai citi piemērojamie federālie, valsts un vietējie noteikumi.
- 3 Pilnvarota persona:** persona, kurai darba devējs uzdevis veikt pienākumus vietā, kur šī persona pakļauta kritiena riskam.
- 4 Glābējs:** persona vai personas, kuras nav glābjamās personas un kuras darbojas, lai veiktu asistētu glābšanu, izmantojot glābšanas sistēmu.
- 5 Pārbaudes biežums:** ekstrēmās darba apstākļos (kaitīga vide, ilgstošs lietojums u. c.) var būt nepieciešamas biežākas kompetentu personu veiktas pārbaudes.

**2.6. SAVIENOJUMU VEIDOŠANA:** kopā ar šo ekipējumu izmantojiet tikai pašfiksējošos āķus un karabīnes. Pārliedzieties, ka visi savienojumi ir izmēra, formas un izturības ziņā savietojami. Neizmantojiet nesavietojamu ekipējumu. Pārliedzieties, ka visi savienojumi ir pilnībā slēgti un nofiksēti.

3M savienojumi (fiksējošie āķi un karabīnes) ir paredzēti tikai katra izstrādājuma lietošanas pamācībā norādītajai lietošanai. Nepareizu savienojumu piemērus skatiet 5. attēlā. Fiksējošos āķus un karabīnes nedrīkst savienot tālāk norādītajā veidā.

- A. Pie D veida gredzena, kam pievienots cits savienotājs.
- B. Tādā veidā, kas rada slodzi slēdzējmehānismam. Ar standarta D veida gredzeniem vai līdzīgiem objektiem nedrīkst lietot plata atvēruma fiksējošus āķus, kas rada slodzi slēdzējmehānismam, ja D veida gredzens sašķiebjas vai pagriežas, izņemot, ja šis fiksējošais āķis ir atbilstošs, aprīkots ar 16 kN (3600 mārc.) slēdzējmehānismu. Pārbaudiet marķējumu uz jūsu fiksējošā āķa, lai pārliedzētos, ka tas ir piemērots jūsu lietojumam.
- C. Neistā saslēgumā, kas no fiksējošā āķa vai karabīnes ārā nākošie elementi aizķer enkuru un bez vizuālas pārbaudes rada iespaidu, ka ir kārtīgi piestiprināti enkurpunktam.
- D. Savā starpā.
- E. Tieši pie nemetāla vai virves saites vai atsaites (ja vien gan saites, gan savienojuma ražotāju instrukcija īpaši nenorāda, ka šāds savienojums ir atļauts).
- F. Pie jebkura priekšmeta, kura forma vai dimensijas nepieļauj fiksējošā āķa vai karabīnes kārtīgu noslēgšanu un fiksēšanu vai var izraisīt fiksētā elementa izvelšanos.
- G. Tādā veidā, kas neļauj savienotājam ieņemt pareizo stāvokli slodzes apstākļos.

### 3.0. UZSTĀDĪŠANA

*Papildinformāciju par Lad-Saf sistēmas uzstādīšanas procedūrām skatiet produkta uzstādīšanas instrukcijās. Papildinformāciju skatiet dokumentā IFU 5908282 vai IFU 5903435.*

- 3.1. PLĀNOŠANA.** Pirms darba sākšanas izplānojiet, kā lietosiet Lad-Saf kāpņu drošības sistēmu. Novērtējiet visus faktoros, kas var ietekmēt jūsu drošību pirms un pēc kritiena un kritiena laikā. Ņemiet vērā visas prasības, ierobežojumus un specifiskācijas, kas definētas 2. sadaļā un 1. tabulā.
- Nodrošiniet, lai sistēma būtu paredzēta nepieciešamajam lietotāju skaitam.
  - Pastāv apdraudējumi, kas saistīti ar pievienošanu un atvienošanu no sistēmas. Izmantojiet sekundāro kritiena bloķēšanas aizsardzību. Nodrošiniet piemērotus enkurspunktus, stāvēšanas platformas vai citus līdzekļus pievienošanās un atvienošanās vietās, lai veiktu drošu pāreju uz un no sistēmas.
  - Minimālais kritiena klīrens, kas nepieciešams starp lietotāja pēdām un virsmu zem tām, ir 2,0 m (7 pēdas). Lietotājs var nebūt aizsargāts no atsišanās pret zemi vai nokrišanas pirmo 2,0 m (7 pēdu) laikā, kāpjot augšup, vai pēdējo 2,0 m (7 pēdu) laikā, kāpjot lejup. Kāpjot augšup vai lejup pa jebkuru kāpņu daļu, kura nav aizsargāta ar Lad-Saf™ sistēmu, izmantojiet atbilstošas kāpšanas procedūras (piemēram, saglabājiet trīs saskares punktus ar rokām un kājām).
  - Kāpšanas laikā izmantojiet atbilstošas drošības procedūras. Neturiet instrumentus vai aprīkojumu rokās. Saglabājiet rokas brīvas kāpšanai. Nostipriniet nesamos priekšmetus, lai izvairītos no to uzmešanas kāpējiem, kas atrodas zemāk. Kāpiet savu spēju robežās. Garu kāpienu augšup vai lejup laikā var būt nepieciešamas vairākas atpūtas reizes, lai izvairītos no pārpūles. Atpūtas pārtraukumiem izmantojiet atbilstošu darba pozīcijas aprīkojumu. **Nekāpiet** stiprā vējā vai sliktos laika apstākļos.
  - Nodrošiniet, lai tikai viens lietotājs kāptu starp troses vadotnēm.
- 3.2. TROSES UZMAVAS PIEVIENOŠANA NESOŠAJAI TROSEI.** Lad-Saf X3 vertikālajai troses drošības uzmai jābūt savienotai ar lietošanai paredzēto 3M Lad-Saf kāpņu drošības sistēmu. Atsaucei skatiet 7. attēlu. Lai savienotu Lad-Saf X3 troses uznavu ar Lad-Saf sistēmas nesošo trosi, veiciet tālāk minētās darbības.
1. **Novietojiet uznavu tā, lai bultiņa "augšup" uz uznavas (I) būtu vērsta augšup.**
  2. **Pagrieziet noslēdzošo sviru (E) atvērtā stāvoklī.** 3. attēlā parādīts noslēgts (A) un nenaslēgts (B) noslēdzošās sviras stāvoklis. Noslēdzošā svira atrodas abās noņemamās troses uznavas pusēs, lietošanai ar labo un kreiso roku.
  3. **Atvelciet atpakaļ pagriežamo sānu plāksni (B) tās tālākajā stāvoklī.** Kad pagriežamā sānu plāksne atrodas tālākajā pagrieztajā stāvoklī, noslēdzošo sviru (E) var atbrīvot. Fiksācijas ritenītis (H) būs pilnībā izvilkts.
  4. **Pagrieziet rokturi (C) līdz tā pilnīgi augšējam stāvoklim.** Tas ļaus fiksācijas ritenītim atkrist no ceļa, lai varētu uzstādīt uznavu uz troses.
  5. **Turiet uznavu vertikāli un ievietojiet trosi (J) pa spraugu uznavas sānos, ceļot trosi uz augšu.** Ievietojiet trosi uznavas padziļinājumā. Atbrīvojiet rokturi (C), pagriežamo sānu plāksni (B) un noslēdzošo sviru (E), lai nofiksētu uznavu uz troses. **Pirms lietošanas pārliecinieties, ka noslēdzošā svira (E) ir noslēgtā stāvoklī.**
- 3.3. TROSES UZMAVAS PIEVIENOŠANA ĶERMEŅA EKIPĒJUMAM.** Savienojumu starp troses uznavu un ķermeņa pilnekipējumu var izveidot pirms vai pēc tam, kad troses uznavu ir uzlikta uz Lad-Saf sistēmas. Pievienojoties Lad-Saf sistēmai vai atvienojoties no tās, ieteicams izmantot sekundāru pretkritiena aizsardzības sistēmu. Rīkošanās ar uznavu kāpšanas laikā pakļauj lietotāju kritiena riskam. Lietošanas laikā Lad-Saf sistēmas maksimālais leņķis nedrīkst pārsniegt 15° no vertikālās ass.

*Nelietojiet citas savienojošās ierīces un nekombinējiet ierīces (piemēram, saiti) ar savienotāju, kas iekļauts troses uznavas komplektācijā. Lietošanas laikā vienmēr izmantojiet karabīni, kas iekļauta troses uznavas komplektācijā. Neaizvietojiet ar citiem savienotājiem.*

- **KĀPŠANA AUGŠUP:** kāpiet augšup pa konstrukciju, nepārtraukti saglabājot trīs saskares punktus (ar rokām un kājām). Lad-Saf X3 noņemamā troses uznavu sekos kāpējam. Nesošā trose tiek izspiesta ārpus troses vadotnēm, kad sasniedz tās. **Neaiztieciat un nenonemiet uznavu no nesošās troses, apejot troses vadotnes vai ja uznavu nobloķējas.**
- **KĀPŠANA LEJUP:** vienmērīgi kāpiet lejup, nepārtraukti saglabājot trīs saskares punktus (ar rokām un kājām). Ļaujiet Lad-Saf X3 noņemamajai troses uznavai "vilkēt" kāpēju lejup. Ja, kāpjot lejup, nesaglabājat stāju (piemēram, pārmērīgi atliecieties atpakaļ vai kāpjat saraustīti), tas var izraisīt uznavas bloķēšanos uz nesošās troses. Ja uznavu bloķējas, nedaudz pakāpieties uz augšu, lai ļautu uznavai atbloķēties, un tad turpiniet kāpienu pa konstrukciju lejup. Ievietojiet nesošo trosi atpakaļ troses vadotnēs pēc katras troses vadotnes apiešanas. **Neaiztieciat un nenonemiet uznavu no nesēja troses, apejot troses turētājus, vai, ja uznavu nobloķējas.**
- **ATVIENOŠANA:** kad kāpšana ir pabeigta, atvienojiet kabeļa uznavu no sistēmas. Komponentu atsaucis skatiet 2. attēlā.
  1. Noņemiet uznavu no troses, pagriežot noslēdzošo sviru (E).
  2. Pavelciet atpakaļ sānu plāksni (B) un pagrieziet rokturi (C) uz augšējo stāvokli.
  3. Uznavu tagad var noņemt no troses un pareizi novietot glabāšanai.

### 4.0. LIETOŠANA

- 4.1. PIRMS KATRAS LIETOŠANAS.** Pārliecinieties, ka darba zona un individuālā kritiena bloķēšanas sistēma (PFAS) atbilst visiem kritērijiem, kas definēti 2. sadaļā, un ir pieejams oficiāls glābšanas plāns. Pārbaudiet Lad-Saf sistēmu atbilstoši pārbaudes punktiem "Lietotājs", kas definēti pārbaudes un apkopes žurnālā (2. tabula). Ja pārbaudē ir konstatēts nedrošs stāvoklis vai bojājums, nelietojiet sistēmu. Nekavējoties pārtrauciet sistēmas lietošanu un skaidri marķējiet ar uzrakstu "NEIZMANTOT". Pēc tam Lad-Saf vertikālā troses drošības uznavu un sistēma ir jāutilizē vai jānosūtīta 3M nomaigai.



- 4.2. SISTĒMAS SAVIENOJUMI.** Lad-Saf sistēma ir jālieto kopā ar ķermeņa pilnekipējumu. Ķermeņa pilnekipējumam ir jāatbilst ANSI 2359.11, CSA Z259.10, EN 361 vai citiem piemērojamiem valsts, reģionālajiem vai vietējiem standartiem. Lai pareizi uzliktu ķermeņa pilnekipējumu, skatiet ražotāja instrukcijas. Lai pievienotu ķermeņa pilnekipējumu, savienojiet Lad-Saf sistēmas karabīni ar ķermeņa pilnekipējuma priekšējo D veida gredzenu (A). Aizliegts lietot kopā ar jebkuru citu savienotāju vai ķermeņa pilnekipējuma D veida gredzenu.

OSHA 1910.29 un OSHA 1926.1053 nosaka, ka savienojuma garums starp nesēju un pievienošanas vietu nedrīkst pārsniegt 23 cm (9 collas).

## 5.0. PĀRBAUDE

- 5.1. PĀRBAUDES BIEŽUMS:** Lad-Saf sistēma jāpārbauda atbilstoši 1. sadaļā norādītajiem intervāliem. Pārbaudes procedūras ir aprakstītas "Pārbaudes un apkopes žurnālā" (2. tabula). Pārbaudiet pārējos aizsardzības sistēmas pret kritieniem komponentus atbilstoši intervāliem un procedūrām, kas norādītas ražotāja instrukcijās.
- 5.2. BOJĀJUMI:** ja pārbaudē tiek konstatēts, ka apstākļi ir nedroši vai nepilnīgi, vai ja rodas jebkādas šaubas par sistēmas stāvokli, nekavējoties pārtrauciet Lad-Saf sistēmas lietošanu un skaidri marķējiet ar uzrakstu "NEIZMANTOT". Pēc tam Lad-Saf vertikālā troses drošības uzmava un sistēma ir jāutilizē vai jānosūta 3M nomaīņai. Nemēģiniet labot sistēmu.
- 5.3. KALPOŠANAS ILGUMS:** Lad-Saf sistēmas kalpošanas laiku nosaka darba apstākļi un apkopes kvalitāte. Kamēr izstrādājums atbilst pārbaudes kritērijiem, to var turpināt lietot.

## 6.0. APKOPE, REMONTS, GLABĀŠANA

- 6.1. SISTĒMAS TĪRĪŠANA:** skatiet 5.0. sadaļu par apkopes jautājumiem, kas saistīti ar pārbaudi. Ja nesošā trose kļūst netīra ar eļļu, smērvielām, krāsu vai citām vielām, nomazgājiet to ar siltu ziepjūdeni. Noslaukiet trosi ar tīru, sausu drānu. Nežāvējiet karsējot. Neizmantojiet skābas vai sārmainas ķīmikālijas, kas var bojāt trosi.

Papildu apkopes un apkalpošanas procedūras jāveic autorizētam servisa centram. Autorizācijai jābūt rakstiskai.

- 6.2. TROSES UZMAVAS TĪRĪŠANA:** netīru Lad-Saf X3 vertikālo troses drošības uzmavu var notīrīt, veicot tālāk norādīto procedūru.
1. Sajauciet četras daļas silta ūdens ar vienu daļu maiga tīrīšanas šķīduma (piemēram, Simple Green vai līdzīgu šķīdumu).
  2. Iegremdējiet troses uzmavu šķīdumā un turiet visu troses uzmavu maisījumā 2–3 stundas.
  3. Izņemiet troses uzmavu no šķīduma un vismaz 1 minūti skalojiet siltā ūdenī. Pārlicinieties, ka visi netīrumi ir notīrīti.
  4. Pirms lietošanas ļaujiet trosei nožūt 24 stundas. Drīkst izmantot vēsa gaisa plūsmu.
  5. Atsaucei skatiet 2. attēlu. Uzklājiet nelielu daudzumu eļļas uz pagriezienu punktiem (E) vai pie sānu plāksnes (B) pamatnes.
  6. Pirms lietošanas veiciet pārbaudi, kā norādīts 5.3. sadaļā. Pārlicinieties, ka iekšpusē nav sakrājušies netīrumi, kas varētu ietekmēt troses uznavas darbību.
- 6.3. GLABĀŠANA UN TRANSPORTĒŠANA:** glabājiet Lad-Saf X3 vertikālo troses drošības uzmavu vēsā, sausā un tīrā vidē, sargājot no tiešas saules gaismas. Izvairieties no vietām, kur ir ķīmikāliju tvaiki. Pēc ilgstošas uzglabāšanas rūpīgi pārbaudiet uzmavu.
- Pāravadājiet Lad-Saf troses uzmavu ietvarā, kas aizsargā no griezumiem, mitruma vai ultravioletās gaismas. Izvairieties no korozīvas, pārkarsētas vai atdesētas vides.
- 6.4. REMONTS:** šo aprīkojumu drīkst labot tikai 3M vai puses, kas saņēmušas rakstisku 3M atļauju. Ja Lad-Saf vertikālā troses drošības uzmava un sistēma ir tikusi pakļauta kritiena spēkam vai ja pārbaudes laikā tiek konstatēts, ka apstākļi ir nedroši vai nepilnīgi, nekavējoties pārtrauciet sistēmas lietošanu un skaidri marķējiet ar uzrakstu "NEIZMANTOT". Pēc tam Lad-Saf vertikālā troses drošības uzmava un sistēma ir jāutilizē vai jānosūta 3M nomaīņai.

## 7.0. RFID BIRKA

- 7.1. NOVIETOJUMS:** 3M produkts, uz kuru attiecas šīs lietošanas instrukcijas, ir aprīkots ar radiofrekvences identifikācijas (RFID) birku. RFID birkas var izmantot kopā ar RFID birku skeneri, lai reģistrētu produktu pārbaudes rezultātus. Skatiet 8. attēlu, kur atrodas jūsu RFID birka.
- 7.2. UTILIZĒŠANA:** pirms šī izstrādājuma utilizācijas noņemiet RFID birku un utilizējiet/pārstrādājiet to atbilstoši vietējiem noteikumiem. Papildu informāciju par RFID birkas noņemšanu skatiet tīmekļa vietnē.



Neizmetiet savu izstrādājumu kā nešķirotus sadzīves atkritumus. Nosvītrotā atkritumu konteinerā uz riteņiem simbols norāda, ka no visām EEI (elektriskām un elektroniskām iekārtām) ir jāatbrīvojas atbilstoši vietējiem likumiem, izmantojot atpakaļnodrošanos un savākšanas sistēmas. Lūdzu, sazinieties ar savu izplatītāju vai vietējo 3M pārstāvi, lai iegūtu sīkāku informāciju.

Lai iegūtu papildinformāciju, lūdzu, apmeklējiet mūsu vietni: <http://www.3M.com/FallProtection/RFID>





## 8.0. ETIĶETES un MARĶĒJUMI

**8.1. ETIĶETES:** 9. attēlā parādītas etiķešu atrašanās vietas uz Lad-Saf kāpņu drošības sistēmas. 10. attēlā parādīta katra etiķete atsevišķi. Etiķetes, kurām nav norādīta atrašanās vieta uz sistēmas, ir jānovieto Lad-Saf sistēmas tuvumā. Katrā etiķetē ir šāda informācija.

<b>A</b>	A) Troses uznavas modeļa numurs B) Sērijas numurs C) Brīdinājuma paziņojums — ievērojiet visas lietošanas instrukcijas. D) Izlasiet visas lietošanas instrukcijas. E) Ne vairāk kā vienam lietotājam. F) Piemērojamais standarts G) Pilnvarotās iestādes informācija H) Lietotāja svara prasības
<b>B</b>	A) Lietošanai paredzētās troses uznavas vērsums "augšup".
<b>C</b>	A) Maksimālais atļautais attālums starp sistēmas trosi un ķermeņa ekipējuma pievienojuma vietu ir 23 cm (9,0 collas). B) Nelietojiet troses uznavu kopā ar saiti. Nekādā gadījumā neizmainiet sistēmu.
<b>D</b>	ID/Partijas numurs (YYMMWWTT): YY = ražošanas gada divi pēdējie cipari. MM = ražošanas mēnesis. WW = ražošanas gada nedēļa. TT = tikai 3M iekšējai lietošanai.
<b>E</b>	1) Uzstādīšanas datums 2) Uzstādītājs 3) Enkurojuma prasības 4) Maksimālais lietotāju skaits vienai sistēmai 5) Sistēmas garums 6) Ražošanas datums 7) Pārbaudes datums 8) Sērijas numurs 9) Sistēmas brīdinājumi 10) Troses veida un uznavas saderības matrice kopā ar standartu sertifikāciju. 11) RFID birka (skatiet 7.0. sadaļu)

## 2. tabula – Pārbaudes un apkopes žurnāls

Pārbaudes datums:		Pārbaudes veicējs:	
Komponents:	Pārbaude: <i>(Pārbaudes biežumu skatiet 2. sadaļā)</i>	Lietotājs	Kompetentā persona
Troses uzmava (2. attēls)	Pārbaudiet, vai rokturim (C) nav locījumu, plaisu un deformāciju. Visiem stiprinājumiem ir jābūt droši pievienotiem. Roktura un rullīšu kustībai jābūt brīvai un vienmērīgai. Atsperēm jābūt nostiprinātām un pietiekoši stingrām, lai novilktu lejup rokturi. Rokturis darbojas arī kā enerģijas absorbētājs un kritiena indikators. Ja rokturis tiek izmantots kritiena apturēšanai, tas tiek deformēts. 11.3. attēlā parādīts rokturis, kas nav izmantots kritiena apturēšanai (A), un rokturi, kas ticis izmantots kritiena apturēšanai un ir deformēts (B). Ja rokturis ir deformēts vairāk nekā A=12,7 mm (1/2 collas), nelietojiet. Uzmava ir jāizņem no lietošanas.	<input type="checkbox"/>	<input type="checkbox"/>
	Pārbaudiet, vai noslēdzošā svira (E) darbojas viegli un atlaižot atlec atpakaļ fiksētā stāvoklī.	<input type="checkbox"/>	<input type="checkbox"/>
	Pārbaudiet fiksējošo ritenīša (H) nodilumu. Pārlicinieties, ka ritenītis nav bojāts.	<input type="checkbox"/>	<input type="checkbox"/>
	Pārbaudiet fiksējošo ritenīti (H), turot uzmavu vertikāli ar rokturi (D) vertikālā stāvoklī un kratot uzmavu uz augšu un uz leju, lai simulētu kritienu. Ritenītim jāgriežas brīvi.	<input type="checkbox"/>	<input type="checkbox"/>
	Pārbaudiet fiksējošo ritenīti (H), novietojot uzmavu horizontāli ar rokturi (C) vertikālā stāvoklī un novietojot uzmavu ar mugurpusi uz gludas virsmas ar Lad-Saf X3 etiķeti uz augšu. Ritenītim jārotē uz augšu pilnībā līdz uzmavas augšai.	<input type="checkbox"/>	<input type="checkbox"/>
	Pārbaudiet sānu plāksnes (B) darbību, pavelkot to atpakaļ un mēģinot atvērt troses spraugu. Tai nav jāgriežas. Ja tā griežas, nepagriežot noslēdzošo sviru (E), izņemiet uzmavu no lietošanas.	<input type="checkbox"/>	<input type="checkbox"/>
	Pārbaudiet visu iekārtu, vai nav korozijas pazīmju.	<input type="checkbox"/>	<input type="checkbox"/>
Augšējais kronšteins (11.2. attēls)	Pārbaudiet pareizu uzstādīšanu saskaņā ar Lad-Saf™ lokanās troses vertikālo drošības sistēmu uzstādīšanas instrukcijām – 3M Kritienu aizsardzības rokasgrāmatu Nr. 5908282 vai 5903435.	<input type="checkbox"/>	<input type="checkbox"/>
	Pārbaudiet, vai nav redzamu bojājumu vai korozijas pazīmju. Pārbaudiet, vai nav plaisu, locījumu vai nodiluma, kas var ietekmēt sistēmas stiprību un darbību. Pārbaudiet metinājumu vietas. Meklējiet metinājumus ar plaisām vai lūšanas pazīmēm, kas var ietekmēt kronšteina stiprību. Nomainiet daļas, ja tiek atrasti bojājumi.	<input type="checkbox"/>	<input type="checkbox"/>
	Pārbaudiet, vai nav valģu vai trūkstošu stiprinājumu, kas notur augšējo kronšteinu pie konstrukcijas (skrūves, skavu plāksnes, skrūvju skavas). Ja fiksatori ir valģīgi, atkārtoti tos pievelciet ar pievilšanas spēku, kas norādīts Uzstādīšanas instrukcijās, kas tiek piegādātas kopā ar jūsu Lad-Saf lokanās troses drošības sistēmu.	<input type="checkbox"/>	<input type="checkbox"/>
	Pārbaudiet, vai augšējā plāksne nav deformēta. Spraugai vietā A jābūt vismaz 5 mm (0,20 collas) platai.	<input type="checkbox"/>	<input type="checkbox"/>
	Pārlicinieties, ka gan lielā tapa (B), gan mazā ir vietā. Pārlicinieties, ka atsperes noslēdzējs (C) ir vietā.	<input type="checkbox"/>	<input type="checkbox"/>
	Pārbaudiet, vai viena punkta enkuram (D) nav plaisu vai bojājuma pazīmju. Pārbaudiet fiksatora pievilšanas spēku. Pārlicinieties, ka paplāksnei ir redzams marķējums.	<input type="checkbox"/>	<input type="checkbox"/>
	Pārbaudiet visu iekārtu, vai nav korozijas pazīmju.	<input type="checkbox"/>	<input type="checkbox"/>
Apakšējais kronšteins (11.1. attēls)	Pārbaudiet pareizu uzstādīšanu saskaņā ar Lad-Saf™ lokanās troses vertikālo drošības sistēmu uzstādīšanas instrukcijām – 3M Kritienu aizsardzības rokasgrāmatu Nr. 5908282 vai 5903435.	<input type="checkbox"/>	<input type="checkbox"/>
	Pārbaudiet, vai nav bojājumu vai korozijas pazīmju. Pārbaudiet, vai nav plaisu, locījumu vai nodiluma, kas var ietekmēt sistēmas stiprību un darbību. Nomainiet daļas, ja tiek atrasti bojājumi.	<input type="checkbox"/>	<input type="checkbox"/>
	Pārbaudiet, vai nav valģu vai trūkstošu stiprinājumu, kas notur apakšējo kronšteinu pie konstrukcijas. Ja fiksatori ir valģīgi, atkārtoti tos pievelciet ar pievilšanas spēku, kas norādīts Uzstādīšanas instrukcijās, kas tiek piegādātas kopā ar jūsu Lad-Saf lokanās troses drošības sistēmu.	<input type="checkbox"/>	<input type="checkbox"/>
	Pārbaudiet spriegotāja stieņa mezglu. Pārlicinieties, ka aptverošās skavas droši notur trosi. Pārbaudiet aptverošo skavu pievilšanas spēku. Tam jābūt 47 N-m (35 pēdmārciņām). Nomainiet vai pievelciet, ja tiek atrasti bojājumi.	<input type="checkbox"/>	<input type="checkbox"/>

**2. tabula – Pārbaudes un apkopes žurnāls**

<b>Pārbaudes datums:</b>		<b>Pārbaudes veicējs:</b>	
<b>Komponents:</b>	<b>Pārbaude:</b> <i>(Pārbaudes biežumu skatiet 2. sadaļā)</i>	<b>Lietotājs</b>	<b>Kompetentā persona</b>
Troses vadotnes (1. attēls)	Pārbaudiet troses vadotņu bojājumus. Meklējiet melnā uretāna nodilumu vai bojājumus. Troses vadotnēm ir jānotur trose un jānovērš tās saskare ar kāpnēm/konstrukciju. Troses vadotnēm jābūt izvietotām aptuveni 6–12 m (20–40 pēdu) attālumā gar nesošo trosi vai, ja nepieciešams, tuvāk. Nomainiet daļas, ja tiek atrasti bojājumi.	<input type="checkbox"/>	<input type="checkbox"/>
	Pārbaudiet troses vadotņu stiprinājumus. Stiprinājumiem ir jānotur troses vadotne vietā. Ja nepieciešams, pievelciet.	<input type="checkbox"/>	<input type="checkbox"/>
Trose (1. attēls)	pārbaudiet trosi, vai tai nav korozijas, locījumu vai bojājumu, kas var ietekmēt stiprību un ierobežot troses uznavas brīvu kustību pa trosi. Ja uz trepju troses ir mezgli vai locījumi, trose pirms lietošanas ir jāpārbauda kompetentai personai. Pārbaudiet nodiluma pazīmes no rīvēšanās pret kāpnēm vai konstrukciju. Nomainiet trosi, ja tiek atrasti bojājumi.	<input type="checkbox"/>	<input type="checkbox"/>
	Pārbaudiet, vai nospriegojums ir pareizs. Rievai jābūt redzamai virs apakšējās veidnes (skatiet E norādi, 11.1. attēls). Spriegotāja stieni nevajag spēt pavilkt uz leju ar roku. Trosei jābūt pietiekoši savilkta, lai novērstu saskari ar kāpnēm/konstrukciju. Atkārtoti nospriegojiet trosi, ja nepieciešams. Nepārvelciet sistēmu.	<input type="checkbox"/>	<input type="checkbox"/>
Etiķetes (9. attēls)	Pārliedziet, ka visas etiķetes atrodas savās vietās un ir pilnībā salasāmas.	<input type="checkbox"/>	<input type="checkbox"/>
PFAS un cits aprīkojums	Individuālās kritiena bloķēšanas sistēmas (PFAS) papildu aprīkojums (iejūgs, SRD utt.), kas tiek lietots kopā ar enkurojuma sistēmu, ir jāuzstāda un jāpārbauda atbilstoši ražotāja norādījumiem.	<input type="checkbox"/>	<input type="checkbox"/>
Konstrukcija	Pārbaudiet, vai konstrukcija, pie kuras struktūra ir piestiprināta, atbilst 1. tabulā norādītajām stiprības prasībām visos iespējamajos slodzes virzienos.	<input type="checkbox"/>	<input type="checkbox"/>

<b>Sērijas numurs(-i):</b>	<b>Iegādes datums:</b>
<b>Modeļa numurs(-i):</b>	<b>Pirmās lietošanas datums:</b>

<b>Koriģējoša darbība/Apkope:</b>	Apstiprināja:	Nākamās pārbaudes veikšanas datums:
	Datums:	
<b>Koriģējoša darbība/Apkope:</b>	Apstiprināja:	Nākamās pārbaudes veikšanas datums:
	Datums:	
<b>Koriģējoša darbība/Apkope:</b>	Apstiprināja:	Nākamās pārbaudes veikšanas datums:
	Datums:	
<b>Koriģējoša darbība/Apkope:</b>	Apstiprināja:	Nākamās pārbaudes veikšanas datums:
	Datums:	
<b>Koriģējoša darbība/Apkope:</b>	Apstiprināja:	Nākamās pārbaudes veikšanas datums:
	Datums:	
<b>Koriģējoša darbība/Apkope:</b>	Apstiprināja:	Nākamās pārbaudes veikšanas datums:
	Datums:	
<b>Koriģējoša darbība/Apkope:</b>	Apstiprināja:	Nākamās pārbaudes veikšanas datums:
	Datums:	
<b>Koriģējoša darbība/Apkope:</b>	Apstiprināja:	Nākamās pārbaudes veikšanas datums:
	Datums:	
<b>Koriģējoša darbība/Apkope:</b>	Apstiprināja:	Nākamās pārbaudes veikšanas datums:
	Datums:	
<b>Koriģējoša darbība/Apkope:</b>	Apstiprināja:	Nākamās pārbaudes veikšanas datums:
	Datums:	

## NL VEILIGHEIDSINFORMATIE

Lees alle veiligheidsinformatie in deze instructies voordat u dit verticale systeem gebruikt, vergewist u zich ervan dat u alle informatie hebt begrepen en volg deze op. **NALATIGHEID KAN ERNSTIG LETSEL OF DE DOOD TOT GEVOLG HEBBEN.**

Deze instructies dienen aan de gebruiker van deze apparatuur verstrekt te worden. Bewaar deze instructies zodat u ze later kunt raadplegen.

### Beoogd gebruik:

Dit verticale systeem is bedoeld voor gebruik als onderdeel van een volledig persoonlijk valbeveiligingssysteem.

Gebruik voor welke andere toepassing dan ook, inclusief (maar niet beperkt tot) materiaalbehandeling, vrijetijdsactiviteiten, sporten of andere activiteiten die niet in de productinstructies worden beschreven, wordt niet goedgekeurd door 3M en kan leiden tot ernstig letsel of een dodelijk ongeval.

Dit apparaat mag uitsluitend worden gebruikt door opgeleide gebruikers voor toepassing op de werkplaats.



## WAARSCHUWING

Dit systeem met flexibele kabel/vaste rail maakt deel uit van een persoonlijk valbeveiligingssysteem. Er wordt verwacht dat alle gebruikers volledig zijn opgeleid voor een veilige installatie en veilig gebruik van hun persoonlijke valbeveiligingssysteem. **Misbruik van dit apparaat kan leiden tot ernstig letsel of een dodelijk ongeval.** Raadpleeg voor een juist(e) selectie, bediening, installatie, onderhoud en voor diensten deze productinstructies en alle aanbevelingen van de fabrikant, bespreek deze met uw supervisor of neem contact op met 3M Technical Service.

- **Doe het volgende om de risico's te beperken die gepaard gaan met het werken met een systeem met flexibele kabel/vaste rail waarbij nalatigheid kan leiden tot ernstig letsel of een dodelijk ongeval:**
  - Inspecteer voorafgaand aan elk gebruik alle onderdelen van het systeem, minstens één keer per jaar en na elke valgebeurtenis. Voer de inspectie uit aan de hand van de productinstructies.
  - Als de inspectie een onveilig aspect of een defect in een onderdeel van het systeem aan het licht brengt, stel dit onderdeel dan buiten gebruik en vernietig het.
  - Elk systeem met flexibele kabel/vaste rail dat onderworpen is geweest aan de krachten van het opvangen van een val moet onmiddellijk buiten gebruik worden gesteld en alle onderdelen moeten door een deskundige worden geïnspecteerd voordat ze weer in gebruik worden genomen.
  - Verbind u niet aan het systeem wanneer het wordt geïnstalleerd.
  - Zorg dat het systeem gekwalificeerd is voor het aantal gelijktijdige gebruikers.
  - Bij het uitpakken van de kabel kan deze mogelijk snel ontrollen. Volg de juiste veiligheidsprocedures en gebruik de juiste persoonlijke beschermingsmiddelen bij het uitpakken van de kabel.
  - Gebruik uitsluitend goedgekeurde connectors om het lichaamsharnas aan het systeem vast te maken. Gebruik geen andere connectoren.
  - Gebruik uitsluitend de kabel zoals vermeld en goedgekeurd in de gebruiksinstructies.
  - Zorg dat de vergrendelende werking van de runner/mof niet wordt gehinderd. Gebruik de runner/mof alleen voor bevestiging aan en afkoppeling van het systeem.
  - Zorg dat u tijdens het klimmen te allen tijde minstens drie contactpunten hebt. Raadpleeg de productinstructies voor meer informatie over de juiste klimtechniek.
  - Zorg ervoor dat valbeveiligingssysteem/-subsystemen die zijn samengesteld uit onderdelen van verschillende fabrikanten compatibel zijn en aan de geldende normen voldoen, waaronder ANSI Z359 of andere geldende voorschriften, normen of vereisten op het gebied van valbescherming. Raadpleeg altijd een deskundige en/of een gekwalificeerd persoon voordat u deze systemen gebruikt.
- **Doe het volgende om de risico's te beperken die gepaard gaan met het werken op hoogte, waarbij nalatigheid kan leiden tot een ongeval met ernstig letsel of de dood tot gevolg:**
  - Vergewist u zich ervan dat u met uw gezondheid en lichamelijke conditie veilig bestand bent tegen alle krachten die kunnen optreden bij het werken op hoogte. Raadpleeg uw arts als u twijfelt of u in staat bent om deze uitrusting te gebruiken.
  - Overschrijd nooit de toelaatbare capaciteit van uw valbeveiligingsuitrusting.
  - Overschrijd nooit de maximale vrijevalafstand van uw valbeveiligingsuitrusting.
  - Gebruik nooit valbeveiligingsuitrusting die een gebrek vertoont bij de inspectie vóór het gebruik of andere periodieke inspecties, of als u onzeker bent over het gebruik of de geschiktheid van de uitrusting voor uw toepassing. Neem voor al uw vragen contact op met 3M Technical Services.
  - Sommige combinaties van subsystemen en componenten kunnen de werking van deze uitrusting verstoren. Gebruik uitsluitend koppelingen die onderling geschikt zijn. Raadpleeg 3M voordat u deze apparatuur gebruikt in combinatie met andere componenten of subsystemen dan die welke in de gebruiksinstructies beschreven staan.
  - Wees extra voorzichtig bij het werken in de buurt van bewegende machines (bijv. de top drive van een boorplatform), op plaatsen met elektrische gevaren, extreme temperaturen, chemische gevaren, explosieve of giftige gassen, scherpe randen of onder voorwerpen boven het hoofd die op u of uw valbeveiligingsuitrusting kunnen vallen.
  - Gebruik bij werken in een hete omgeving of met hitteapparatuur beschermingsmiddelen tegen risico's op een vlamboog en brandgevaar.
  - Vermijd oppervlakken en voorwerpen die de gebruiker of de uitrusting kunnen beschadigen.
  - Vergewist u zich ervan dat er voldoende vrije val is bij het werken op hoogte.
  - Wijzig of verander uw valbeveiligingsuitrusting nooit. Alleen 3M, of partijen die door 3M schriftelijk bevoegd worden gesteld, mogen de uitrusting repareren.
  - Zorg, voordat de valbeveiligingsuitrusting in gebruik wordt genomen, dat er een reddingsplan aanwezig is waarmee in geval van een ongeval snel hulp kan worden geboden.
  - Laat na een val de betreffende persoon onmiddellijk door een arts onderzoeken.
  - Gebruik geen lichaamsgordel voor valtoepassingen. Gebruik uitsluitend een volledig lichaamsharnas.
  - Minimaliseer zwenkvallen door zo recht mogelijk onder het ankerpunt te werken.
  - Bij training met dit apparaat moet een tweede valbeveiligingssysteem worden gebruikt, om elk risico te vermijden dat de gebruiker-in-training per ongeluk aan valgevaar wordt blootgesteld.
  - Draag altijd geschikte persoonlijke beschermingsmiddelen bij het installeren, gebruiken of inspecteren van het apparaat/systeem.

Noteer, voorafgaand aan het gebruik of de installatie van deze apparatuur, de productidentificatiegegevens van het ID-label in het logboek voor inspectie en onderhoud (tabel 2) achter in deze handleiding.

Zorg er altijd voor dat u de nieuwste versie van uw 3M handleiding gebruikt. Ga naar de 3M-website of neem contact op met 3M Technical Services voor bijgewerkte handleidingen.

## PRODUCTBESCHRIJVING:

Afbeelding 1 illustreert het 3M™ DBI-SALA® Lad-Saf™-ladderveiligheidssysteem. Het Lad-Saf-ladderveiligheidssysteem is ontworpen om de werknemer te beschermen in het geval van een val tijdens het beklimmen van een vaste ladder of vergelijkbare klimconstructie. Het Lad-Saf-systeem bestaat uit de bovenbeugel, een draadkabel, de kabelmof, de kabelgeleider, het systeemlabel en de bodembeugel. De bovenbeugel (A) is bevestigd aan de bovenkant van de ladder en verankert de kabel (B) in coördinatie met de bodembeugel (F), die aan de onderkant van de ladder is bevestigd. De kabelmof (C) beweegt op en neer met de gebruiker en wordt bevestigd aan de voorste D-ring van het harnas van de gebruiker. De kabelgeleider (D) zorgt ervoor dat de kabel op zijn plaats blijft. Het systeemlabel (E) geeft belangrijke veiligheidsinformatie weer en moet op een punt op of nabij het systeem worden geplaatst. Het systeemlabel wordt weergegeven als label 'E' in afbeelding 10.

Afbeelding 2 illustreert onderdelen van de Lad-Saf X3-kabelmof. De kabelmof bestaat uit de bovenste roller, de roterende zijplaat, de hendel, de mof, de vergrendelingshendel, de onderste roller, de karabijnhaak en de vergrendelingsnok. De bovenste roller (A) bevestigt de kabelmof aan de kabel in coördinatie met de onderste roller (F). De roterende zijplaat (B) en hendel (C) gaan open om de kabelmof op de kabel te kunnen plaatsen. De mof (D) vormt de hoofdstructuur van de kabelmof. De vergrendelingshendel (E) vergrendeld de kabelmof en voorkomt onbedoeld openen van het apparaat. De vergrendelingsnok (H) houdt de kabelmof op zijn plaats wanneer deze is vergrendeld. De karabijnhaak (G) wordt bevestigd aan de voorste D-ring van het harnas van de gebruiker.

Zie tabel 1 voor componentspecificaties van de Lad-Saf X3-veiligheidsmof voor verticale kabels en het systeem.

**Tabel 1 – Specificaties**

Systeemspecificaties:					
<b>Systeeminstallatie:</b>	<b>Installatie-instructies</b>		<b>Systeemtype</b>		<b>Systeembeschrijving</b>
	5908282		Verticaal		Lad-Saf-veiligheidssysteem met flexibele kabel
	5903435		Verticaal		Lad-Saf-veiligheidssysteem met flexibele kabel met zwenk-D-ring
<b>Lad-Saf-kabelmof:</b>	<b>Artikelnummer</b>	<b>Activeringskracht</b>	<b>Maximale gebruiks lengte</b>	<b>Minimale breeksterkte</b>	<b>Gewicht</b>
	6160054	450 lbf (2,0 kN)	102 mm (4,0 inch)	3.600 lbf (16 kN)	2,1 lb. (1,0 kg)
<b>Capaciteit:</b>	Elke gebruiker moet een gecombineerd gewicht (kleding, gereedschap enz.) hebben van 40 tot 140 kg (88 lb. tot 310 lb.). Het Lad-Saf-systeem kan voor maximaal vier gebruikers tegelijkertijd worden gebruikt, maar aan elke Lad-Saf X3-veiligheidsmof voor verticale kabels mag slechts één gebruiker worden bevestigd. Voor extra gebruikers moeten extra kabelmoffen worden gebruikt.				
<b>Verankeringsvereisten:</b>	<b>Aantal gebruikers</b>		<b>Verankeringssterkte</b>		<b>Aantal gebruikers</b>
	1		2.700 lbf (12 kN)		3
	2		3.320 lbf (14,8 kN)		4
					<b>Verankeringssterkte</b>
					3.940 lbf (17,5 kN)
					4.560 lbf (20,3 kN)
<b>Gebruikstemperatuur:</b>	-40 °C tot 60 °C (-40 °F tot 140 °F)				
<b>Normen:</b>	De Lad-Saf X3-veiligheidsmof voor verticale kabel en het systeem zijn getest in overeenstemming met de normen die zijn aangegeven op de voorkant van deze gebruikershandleiding.				
<b>Specificaties kabel:</b>	De Lad-Saf X3-kabelmof mag alleen worden gebruikt met kabel met een massieve kern met een diameter van 9,5 mm (3/8 inch). Gebruik met een andere kabel is verboden en kan ernstig letsel of de dood tot gevolg hebben.				
	<b>Artikelnummer</b>	<b>Omschrijving</b>	<b>Materiaal</b>	<b>Minimale breeksterkte</b>	<b>Gewicht</b>
	6104XXX/ CE 6134XXX	9,5 mm (3/8 inch), 1 x 7	Gegalvaniseerd staal	15.400 lbf (68,4 kN)	0,27 lb. /ft. (0,41 kg/m)
	6105XXX/ CE 6135XXX	9,5 mm (3/8 inch), 1 x 7	Roestvrij staal	18.000 lbf (80 kN)	0,27 lb. /ft. (0,41 kg/m)
	6106XXX/ CE 6136XXX	9,5 mm (3/8 inch), 7 x 19	Gegalvaniseerd staal	14.400 lbf (64 kN)	0,27 lb. /ft. (0,41 kg/m)
	6107XXX/ CE 6137XXX	9,5 mm (3/8 inch), 7 x 19	Roestvrij staal	12.000 lbf (53,3 kN)	0,27 lb. /ft. (0,41 kg/m)

**Tabel 1 – Specificaties**

**Componentspecificaties:**

**Lad-Saf-ladder veiligheidssysteem:**

<b>Afbeelding 1 ter referentie</b>	<b>Onderdeel</b>	<b>Materialen</b>
Ⓐ	Bovenbeugel	Gegalvaniseerd staal of roestvrij staal
Ⓑ	Kabel	Gegalvaniseerd staal of roestvrij staal
Ⓒ	Kabelmof	Roestvrij staal
Ⓓ	Kabelgeleider	Urethaan
Ⓔ	Systeemplaat	Roestvrij staal
Ⓕ	Bodembeugel	Gegalvaniseerd staal of roestvrij staal

**Lad-Saf-kabelmof:**

<b>Referentie in afbeelding 2</b>	<b>Onderdeel</b>	<b>Materialen</b>
Ⓐ	Bovenrol	Nylon
Ⓑ	Roterende zijplaat	Roestvrij staal
Ⓒ	Hendel	Roestvrij staal
Ⓓ	Mof	Roestvrij staal
Ⓔ	Vergrendelingshendel	Roestvrij staal
Ⓕ	Onderste roller	Nylon
Ⓖ	Karabijnhaak	Verzinkt staal
Ⓗ	Vergrendelingsnok	Roestvrij staal

## 1.0 TOEPASSING VAN HET PRODUCT

- 1.1 DOEL:** Het Lad-Saf™-ladder veiligheidsysteem maakt deel uit van een persoonlijk valbeveiligingssysteem. Het Lad-Saf-ladder veiligheidsysteem is ontworpen voor gebruik in combinatie met de Lad-Saf™ afneembare kabelmof en beschermt de werknemer in het geval van een val tijdens het beklimmen van een vaste ladder of vergelijkbare klimconstructie.

**Alleen valstop:** Gebruik het Lad-Saf-ladder veiligheidsysteem niet voor andere doeleinden dan valstop.

- 1.2 NORMEN:** Uw ladder veiligheidsysteem voldoet aan de nationale of regionale norm(en) die staan vermeld op de omslag van deze instructies. Als dit product opnieuw verkocht wordt buiten het oorspronkelijke land van bestemming, dient de wederverkoper deze instructies te leveren in de taal van het land waarin het product gebruikt gaat worden.
- 1.3 TOEZICHT:** Gebruik van het Lad-Saf-ladder veiligheidsysteem moet plaatsvinden onder toezicht van een deskundig persoon<sup>1</sup>. Installatie van het Lad-Saf-ladder veiligheidsysteem dient plaats te vinden onder toezicht van een gekwalificeerd persoon<sup>2</sup>.
- 1.4 TRAINING:** Het Lad-Saf-ladder veiligheidsysteem moet geïnstalleerd en gebruikt worden door personen die getraind zijn in de juiste toepassing ervan. Deze handleiding moet worden gebruikt als onderdeel van een trainingsprogramma voor medewerkers zoals dat vereist wordt door nationale, regionale of lokale normen. Het is de verantwoordelijkheid van de installateurs van deze apparatuur om zich ervan te verzekeren dat ze deze instructies kennen, getraind zijn in het juiste gebruik en de verzorging van de apparatuur, en dat ze zich bewust zijn van de gebruikskennmerken, toepassingsbeperkingen en de gevolgen van enig onjuist gebruik van deze apparatuur.
- 1.5 REDDINGSPLAN:** Wanneer deze apparatuur en verbindende subsystemen worden gebruikt, dient de werkgever te beschikken over een reddingsplan en de middelen binnen bereik te hebben om het reddingsplan te implementeren en het te communiceren naar gebruikers en bevoegde personen<sup>3</sup>, en redders<sup>4</sup>. Het wordt aanbevolen dat een getraind reddingsteam ter plekke aanwezig is. Teamleden moeten de apparatuur en technieken aangeleverd krijgen om een succesvolle reddingsactie te verrichten. Er moet op periodieke basis training gegeven worden om ervoor te zorgen dat de kennis van de redders actueel blijft.
- 1.6 REGELMAAT VAN INSPECTIE:** Het ladder veiligheidsysteem moet voorafgaand aan het gebruik door de gebruiker worden geïnspecteerd en bovendien door een andere deskundige persoon dan de gebruiker na intervallen van ten hoogste een jaar.<sup>5</sup> De inspectieprocedures zijn beschreven in het 'Logboek voor inspectie en onderhoud'. De resultaten van elke door een deskundige verrichte inspectie moeten worden genoteerd op kopieën van het 'Inspectie- en onderhoudslogboek'.
- 1.7 NA EEN VAL:** Als het Lad-Saf-systeem wordt blootgesteld aan de krachten om een val te stoppen, moet deze onmiddellijk buiten gebruik worden genomen en duidelijk worden gemarkeerd met 'NIET GEBRUIKEN'. De Lad-Saf-kabel veiligheidsmof en het systeem moeten vervolgens worden vernietigd of doorgestuurd naar 3M voor vervanging.

## 2.0 SYSTEEMEISEN

- 2.1 VERANKERING:** Verankeringsvereisten variëren afhankelijk van de toepassing van de valbeveiliging. De constructie waarop het ladder veiligheidsysteem wordt geplaatst of gemonteerd moet voldoen aan de verankeringspecificaties zoals omschreven in tabel 1.
- 2.2 GEVAREN:** Gebruik van deze apparatuur in gebieden met gevaren voor het milieu kan aanvullende voorzorgsmaatregelen vereisen, om de mogelijkheid van letsel voor de gebruiker of beschadiging aan de apparatuur te voorkomen. Gevaren kunnen de volgende omvatten, maar zijn niet beperkt tot: hitte, bijtende chemicaliën, corrosieve omgevingen, hoogspanningsleidingen, explosieve of giftige gassen, bewegende machines, scherpe randen en bovenhoofdse materialen die kunnen vallen en de gebruiker of het persoonlijke valstopsysteem kunnen raken.
- 2.3 COMPATIBILITEIT CLIMB ASSIST:** Gebruik de Powered Climb Assist (PCA) niet in combinatie met een 3M klimladder valstopsysteem, inclusief het Lad-Saf verticale lifeline systeem en Lad-Saf X2, X3 of X3+ afneembare kabelmoffen, tenzij de PCA is geverifieerd door 3M als compatibel met het klimladder valstopsysteem van 3M. Het niet naleven van deze waarschuwing kan ertoe leiden dat de val van een gebruiker bij het gebruik van incompatibele PCA- en klimladder valstopsystemen, niet veilig wordt opgevangen in geval van een val van hoogte. Neem voor vragen contact op met de technische dienst van 3M via [3MFallProtectionTech@mmm.com](mailto:3MFallProtectionTech@mmm.com).

*Het gebruik van klimhulpsystemen die niet compatibel zijn met 3M verticale systemen kan ernstig letsel of de dood tot gevolg hebben.*

- 2.4 COMPATIBILITEIT VAN ONDERDELEN:** 3M-apparatuur is ontworpen voor gebruik met alleen door 3M goedgekeurde onderdelen en subsystemen. Substituties of vervangingen door niet-goedgekeurde onderdelen of subsystemen kunnen de compatibiliteit van apparatuur in gevaar brengen en kunnen de veiligheid en betrouwbaarheid van het volledige systeem negatief beïnvloeden.

- 
- 1 Deskundig persoon:** Een persoon die in staat is om bestaande en voorspelbare gevaren in de werkomgeving of -omstandigheden te identificeren die onhygiënisch, gevaarlijk of riskant zijn voor werknemers, en die bevoegd is om direct corrigerende acties te ondernemen om gevaren te elimineren.
- 2 Gekwalificeerd persoon:** Een persoon met een erkend diploma, certificaat of professionele reputatie, of die door uitgebreide kennis, training en ervaring met succes zijn vermogen heeft aangetoond om problemen met valbeveiliging en reddingsystemen op te lossen in de mate vereist door OSHA of andere toepasselijke federale en staatsverordeningen, en lokale voorschriften.
- 3 Bevoegd persoon:** Een persoon die door de werkgever aangewezen is om werk uit te voeren op een locatie waar de persoon blootgesteld wordt aan een valgevaar.
- 4 Redder:** Een andere persoon of andere personen dan de te redden persoon, die optreedt of optreden om een geassisteerde redding uit te voeren door middel van een reddingssysteem.
- 5 Regelmaat van inspectie:** Extreme werkomstandigheden (moeilijke omgevingen, langdurig gebruik, enz.) kunnen vereisen dat de frequentie van inspecties door deskundigen wordt opgevoerd.



**2.5 COMPATIBILITEIT VAN CONNECTOREN:** Connectoren worden als compatibel met verbindende elementen beschouwd wanneer deze zijn ontwikkeld om op een zodanige manier samen te werken dat de maten en vormen, ongeacht hun oriëntatie, geen onbedoeld opengaan van openingsmechanismen veroorzaken. Neem contact op met 3M als u vragen hebt over compatibiliteit.

Connectoren (haken, karabijnhaken en D-ringen) moeten in staat zijn om ten minste 5.000 lbf (22,2 kN) te dragen. Connectoren moeten compatibel zijn met de verankering of andere systeemcomponenten. Gebruik geen apparatuur die niet compatibel is. Verbindingen die niet compatibel zijn, kunnen onbedoeld losraken (zie Afbeelding 4). Connectoren moeten compatibel zijn qua grootte, vorm en sterkte. Als het verbindingselement waaraan de musketonhaak of karabijnhaak bevestigd wordt, te klein of onregelmatig van vorm is, kan er een situatie optreden waarbij het verbindingselement kracht uitoefent op de opening van de musketonhaak of karabijnhaak (A). Door deze kracht kan de opening (B) opengaan, waardoor de musketonhaak of karabijnhaak kan losraken van het verbindingspunt (C).

Volgens ANSI Z359 en OSHA zijn zelfvergrendelende musketon- en karabijnhaken vereist.

**2.6 VERBINDINGEN MAKEN:** Met deze apparatuur mogen alleen zelfvergrendelende musketonhaken en karabijnhaken gebruikt worden. Zorg ervoor dat de verbindingen qua grootte, vorm en sterkte bij elkaar passen. Gebruik geen apparatuur die niet compatibel is. Controleer of alle verbindingen volledig gesloten en vergrendeld zijn.

3M-connectoren (musketonhaken en karabijnhaken) zijn ontworpen om alleen gebruikt te worden zoals in de gebruikersinstructies van elk product vermeld staat. Zie afbeelding 5 voor voorbeelden van onjuiste verbindingen. Verbind musketonhaken of karabijnhaken niet:

- A. Aan een D-ring waaraan al een andere verbinding bevestigd is.
- B. Op een manier waardoor er een belasting op de opening komt te staan. Musketonhaken met een grote halsopening mogen niet worden verbonden met standaardformaat D-ringen of vergelijkbare voorwerpen. Dit resulteert in een belasting van de snapper als de haak of D-ring draait, tenzij de musketonhaak voldoet en is voorzien van een snapper die geschikt is voor 3.600 lb (16 kN). Controleer de markering op uw musketonhaak en ga na of deze geschikt is voor uw toepassing.
- C. Bij een onjuiste aankoppeling, waarbij onderdelen die uitsteken buiten de nok van de karabijnhaak op de D-ring haken en zonder visuele bevestiging volledig aangekoppeld lijken te zijn aan het verankeringspunt.
- D. Aan elkaar.
- E. Direct aan singelband of kabellijn of terugbindlijn (tie-back) - tenzij de instructies van de fabrikant een dergelijke verbinding voor zowel de lijn als de connector specifiek toestaan.
- F. Aan elk object dat een zodanige vorm of dimensie heeft dat de musketonhaak of karabijnhaak niet dicht en op slot kan gaan, of daar waar uitrollen kan optreden.
- G. Op een manier die de connector onder belasting geen correcte positie laat innemen.

### 3.0 INSTALLATIE

Raadpleeg de installatie-instructies van het product voor meer informatie over de installatieprocedures van het Lad-Saf-systeem. Zie gebruiksaanwijzing 5908282 of gebruiksaanwijzing 5903435 voor meer informatie.

**3.1 PLANNING:** Plan uw gebruik van het Lad-Saf-ladderveiligheidssysteem voordat u begint met werken. Houd rekening met alle factoren die uw veiligheid voor, tijdens en na een val kunnen beïnvloeden. Neem alle eisen, beperkingen en specificaties die in hoofdstuk 2 en tabel 1 zijn gedefinieerd in acht.

- Controleer of het systeem geschikt is voor het benodigde aantal gebruikers.
- Het aansluiten aan en loskoppelen van het systeem gaat gepaard met risico's. Gebruik secundaire valstopbescherming. Controleer of er geschikte verankeringspunten, tussenplatforms of andere middelen beschikbaar zijn op aansluit- en loskoppelpunten om een veilige overstap van en naar het systeem mogelijk te maken.
- Er is een minimale vrije val van 2,0 meter (7,0 ft.) noodzakelijk tussen de voeten van de gebruiker en het onderliggende oppervlak. De gebruiker is tijdens de eerste 2,0 meter (7,0 ft.) van het omhoogklimmen of de laatste 2,0 meter (7,0 ft.) van het omlaagklimmen mogelijk niet beschermd tegen het in aanraking komen met de grond of het platform. Gebruik de juiste klimprocedures (d.w.z. houd drie contactpunten aan met handen en voeten) tijdens het omhoog- of omlaagklimmen van een deel van de ladder dat niet beschermd is door het Lad-Saf™-systeem.
- Pas de juiste veiligheidsprocedures toe tijdens het klimmen. Draag geen gereedschap of apparatuur met de hand. Houd uw handen vrij voor het klimmen. Maak voorwerpen die worden gedragen goed vast, om te voorkomen dat ze op klimmers onder u terecht komen. Klim binnen uw mogelijkheden. Bij een lange klim kan het nodig zijn om diverse rustpauzes in te lassen tijdens het klimmen of afdalen, om uitputting te voorkomen. Gebruik voor rustpauzes de juiste positioneringsapparatuur. **Klim** niet als het hard waait of anderszins slecht weer is.
- Zorg ervoor dat er slechts één gebruiker tussen de kabelgeleiders klimt.

**3.2 DE KABELMOF AANSLUITEN OP DE DRAAGKABEL:** De Lad-Saf X3-veiligheidsmof voor verticale kabel moet worden aangesloten op een 3M Lad-Saf-ladderveiligheidssysteem om te worden gebruikt. Zie afbeelding 7 ter referentie. Om de Lad-Saf X3-kabelmof aan te sluiten op de draagkabel van het Lad-Saf-systeem:

1. **Positioneer de mof zodanig dat de pijl voor "Deze zijde boven" op de mof (I) omhoog wijst.**
2. **Roteer de vergrendelingshendel (E) naar de niet-vergrendelde positie.** Afbeelding 3 geeft de vergrendelde (A) en niet-vergrendelde (B) posities van de vergrendelingshendel weer. De vergrendelingshendel bevindt zich aan beide kanten van de afneembare kabelmof voor zowel rechtshandige als linkshandige bediening.
3. **Trek de roterende zijplaat (B) naar zijn verste positie.** Zodra de roterende zijplaat zich in zijn verste gerooteerde positie bevindt, kan de vergrendelingshendel (E) worden losgemaakt. De vergrendelingsnok (H) zal volledig uitgeklapt zijn.
4. **Roteer de hendel (C) naar zijn volledig rechtopstaande positie.** Hierdoor kan de vergrendelingsnok uit de weg vallen om de mof op de kabel te installeren.
5. **Houd de mof rechtop en steek de kabel (J) door de opening aan de zijkant van de mof met een omhoog tillende beweging.** Plaats de kabel in de mofinsnijding. Maak de hendel (C), de roterende zijplaat (B) en de vergrendelingshendel (E) los om de mof op de kabel te vergrendelen. **Zorg er vóór gebruik voor dat de vergrendelingshendel (E) zich in de vergrendelde positie bevindt.**

**3.3 DE KABELMOF VERBINDEN MET HET HARNAS:** De verbinding tussen de kabelmof en het volledige lichaamsharnas mag voor of nadat de kabelmof op het Lad-Saf-systeem geïnstalleerd is, gemaakt worden. Een secundair valbeveiligingssysteem wordt aanbevolen bij het aan- of loskoppelen van het Lad-Saf-systeem. Het vastpakken van de mof tijdens het omhoog- of omlaagklimmen stelt de gebruiker bloot aan valrisico's. Het Lad-Saf-systeem moet te allen tijde tijdens gebruik een maximale hoek hebben van 15° ten opzichte van verticaal.

Gebruik geen andere connectoren en combineer geen apparaten (bijv. koord) met de connector die bij de kabelmof is geleverd. Gebruik altijd de karabijnsluiting die bij de kabelmof is geleverd. Vervang het niet door andere connectoren.

- **OMHOOGKLIMMEN:** Klim de constructie op terwijl u te allen tijde drie contactpunten aanhoudt (met handen en voeten). De afneembare Lad-Saf X3-kabelmof zal de klimmer volgen. De draagkabel wordt uit de kabelgeleiders geklikt bij het passeren ervan. **Pak de mof niet vast en haal hem ook niet uit de draagkabel tijdens het passeren van de kabelgeleiders of als de mof zichzelf vergrendelt.**
- **OMLAAGKLIMMEN:** Klim, bij het omlaaggaan van de constructie, in een vloeiende beweging waarbij u te allen tijde drie contactpunten aanhoudt (met handen en voeten). Geef de afneembare Lad-Saf™ X3-kabelmof de gelegenheid om de klimmer omlaag te 'leiden'. Als u tijdens het omlaagklimmen uit positie raakt (bijv. door overmatig achterover te leunen of schokkerig te bewegen), kan de mof zichzelf aan de draagkabel vergrendelen. Als de mof vergrendeld wordt, moet u iets naar boven klimmen om de mof te laten ontgrendelen en daarna weer verdergaan met het afdalen van de constructie. Bevestig de draagkabel weer in de kabelgeleiders bij het passeren van elke kabelgeleider. **Pak de mof niet vast en haal hem ook niet uit de draagkabel tijdens het passeren van de kabelgeleiders of als de mof zichzelf vergrendeld.**
- **LOSKOPPELEN:** Wanneer het klimmen is voltooid, koppelt u de kabelmof los van het systeem. Zie afbeelding 2 voor componentreferenties.
  1. Haal de mof van de kabel door de vergrendelingshendel (E) te roteren.
  2. Trek de zijplaat (B) terug en kantel de hendel (C) naar de volledig rechtopstaande positie.
  3. de mof kan nu van de kabel verwijderd worden en correct opgeslagen worden.

## 4.0 GEBRUIK

- 4.1 VÓÓR ELK GEBRUIK:** Zorg ervoor dat uw werkgebied en persoonlijk systeem voor valbescherming (PFAS) voldoen aan alle criteria die zijn gedefinieerd in hoofdstuk 2 en dat er een formeel reddingsplan aanwezig is. Inspecteer het Lad-Saf-systeem volgens de 'Gebruikers'-inspectiepunten zoals gedefinieerd in het "Logboek voor inspectie en onderhoud" (tabel 2). Gebruik het systeem niet indien inspectie een onveilige of defecte toestand aan het licht brengt. Stel het systeem onmiddellijk buiten gebruik en markeer duidelijk met "NIET GEBRUIKEN". De Lad-Saf-veiligheidsmof voor verticale kabel en het systeem moeten dan worden vernietigd of verzonden naar 3M voor vervanging.
- 4.2 SYSTEEMVERBINDINGEN:** Het Lad-Saf-systeem moet worden gebruikt met een volledig lichaamsharnas. Het volledige lichaamsharnas volgens ANSI Z359.11, CSA Z259.10, EN 361 of andere toepasselijke nationale, regionale of lokale norm. Raadpleeg de instructies van de fabrikant voor de juiste montage van uw lichaamsharnas. Verbind de karabijnhaak van het Lad-Saf-systeem met de voorste D-ring (A) van uw volledige lichaamsharnas om uw volledige lichaamsharnas aan te koppelen. Gebruik van een andere connector of D-ring op uw volledige lichaamsharnas is verboden.

OSHA 1910.29 en OSHA 1926.1053 geven aan dat de lengte van de verbinding tussen de drager en het bevestigingspunt de 23 cm (9") niet mag overschrijden.

## 5.0 INSPECTIE

- 5.1 REGELMAAT VAN INSPECTIE:** Het Lad-Saf-systeem moet worden geïnspecteerd bij intervallen die zijn gedefinieerd in hoofdstuk 1. De inspectieprocedures zijn beschreven in het 'Logboek voor inspectie en onderhoud' (tabel 2). Inspecteer alle overige onderdelen van het valbeschermingssysteem volgens de frequenties en procedures zoals beschreven in de betreffende instructies van de fabrikant.
- 5.2 DEFECTEN:** Als de inspectie een onveilige situatie of defect aan het licht brengt, of als er twijfel bestaat over de staat van het product, moet u het Lad-Saf-systeem onmiddellijk buiten gebruik stellen en duidelijk markeren met "NIET GEBRUIKEN". De Lad-Saf-veiligheidsmof voor verticale kabel en het systeem moeten dan worden vernietigd of verzonden naar 3M voor vervanging. Probeer niet om het systeem te repareren.
- 5.3 LEVENSDUUR VAN HET PRODUCT:** De functionele levensduur van het Lad-Saf-systeem wordt bepaald door de werkomstandigheden en het onderhoud. Zolang het product bij inspectie aan de criteria voldoet, kan het in gebruik blijven.

## 6.0 ONDERHOUD, SERVICE, OPSLAG

- 6.1 HET SYSTEEM REINIGEN:** Raadpleeg hoofdstuk 5.0 voor onderhoudskwesties die aan de inspectie zijn gerelateerd. Als de draagkabel te sterk vervuild raakt met olie, vet, verf of andere substanties, kunt u deze met warm water en zeep reinigen. Na reiniging de kabel droogvegen met een schone, droge doek. Droog niet geforceerd met warmte. Gebruik geen zuren of bijtende chemicaliën die de kabel zouden kunnen beschadigen.

Aanvullende onderhouds- en serviceprocedures moeten worden uitgevoerd door een geautoriseerd servicecentrum. Deze goedkeuring moet schriftelijk zijn.

- 6.2 DE KABELMOF REINIGEN:** Een vervuilde Lad-Saf X3-veiligheidsmof voor verticale kabels kan worden gereinigd met behulp van de volgende procedure:
1. Meng vier delen warm water met één deel milde reinigungsoplossing (bijv. Simple Green of vergelijkbare oplossing).
  2. Dompel de kabelmof in de oplossing en laat de hele kabelmof 2-3 uur in het mengsel weken.
  3. Verwijder de kabelmof uit de oplossing en spoel deze af met warm water gedurende minimaal 1 minuut. Verwijder overtollig vuil.
  4. Laat de kabel voorafgaand aan gebruik 24 uur drogen aan de lucht. Het gebruik van koele, geforceerde lucht is acceptabel.
  5. Zie afbeelding 2 ter referentie. Breng een kleine hoeveelheid smering aan op de draaipunten (E) of aan de onderkant van de zijplaat (B).
  6. Voer een inspectie uit voor gebruik zoals gespecificeerd in hoofdstuk 5.3. Controleer of er inwendig geen vuil is achtergebleven, wat de werking van de kabelmof kan beïnvloeden.


- 6.3 OPSLAG EN TRANSPORT:** Bewaar de Lad-Saf X3-veiligheidsmof voor verticale kabels in een koele, droge, schone omgeving, uit de buurt van direct zonlicht. Vermijd plekken waar chemische dampen voorkomen. Inspecteer de mof grondig na een langdurige opslag.

Transporteer de Lad-Saf™-kabelmof in een verpakking ter bescherming tegen insnijdingen, vocht of ultraviolet licht. Vermijd corrosieve, oververhitte of gekoelde omgevingen.

- 6.4 ONDERHOUD:** Alleen 3M of partners die hiervoor schriftelijk door 3M zijn geautoriseerd, mogen deze apparatuur repareren. Als de Lad-Saf-veiligheidsmof voor verticale kabel en het systeem zijn blootgesteld aan valkracht of als bij inspectie een onveilige of defecte toestand wordt geconstateerd, moet u het systeem onmiddellijk buiten gebruik stellen en duidelijk markeren met "NIET GEBRUIKEN". De Lad-Saf-veiligheidsmof voor verticale kabel en het systeem moeten dan worden vernietigd of verzonden naar 3M voor vervanging.

## 7.0 RFID-TAG

- 7.1 LOCATIE:** Het 3M-product dat in deze gebruiksaanwijzing wordt behandeld, is uitgerust met een RFID-tag (Radio Frequency Identification). RFID-tags kunnen worden gebruikt in coördinatie met een RFID-tagscanner voor het vastleggen van productinspectieresultaten. Zie afbeelding 8 om te weten te komen waar uw RFID-tag zich bevindt.
- 7.2 AFVOER:** Verwijder de RFID-tag voordat u dit product afvoert en voer het af/recycle het in overeenstemming met de plaatselijke voorschriften. Raadpleeg de onderstaande weblink voor meer informatie over het verwijderen van de RFID-tag.

	Gooi uw product niet weg als ongesorteerd gemeentelijk afval. Het symbool van de afvalcontainer met een kruis erdoorheen geeft aan dat alle EEA (elektrische en elektronische apparatuur) volgens de plaatselijke wetgeving moet worden afgevoerd via beschikbare retour- en inzamelingssystemen. Neem voor meer informatie contact op met uw dealer of uw lokale 3M-vertegenwoordiger.
---	---

Voor meer informatie kunt u terecht op onze website: <http://www.3M.com/FallProtection/RFID>



## 8.0 LABELS en MARKERINGEN

- 8.1 LABELS:** Afbeelding 9 illustreert de locaties van de labels op het Lad-Saf-ladder veiligheidssysteem. Afbeelding 10 illustreert elk label in detail. Labels waarvan de locatie niet op het systeem is aangegeven moeten op een locatie in de buurt van het Lad-Saf-systeem worden geplaatst. Elk label bevat de volgende informatie:

<b>A</b>	A) Modelnummer kabelmof B) Serienummer C) Waarschuwingsverklaring – Volg alle gebruiksaanwijzingen. D) Lees alle gebruikersinstructies. E) Maximaal één gebruiker. F) Toepasselijke norm G) Informatie over keuringsinstituut H) Vereisten gebruikersgewicht
<b>B</b>	A) Positie “Deze zijde boven” van de te gebruiken kabelmof.
<b>C</b>	A) De maximale afstand tussen de systeemkabel en het bevestigingspunt van het harnas is 23 cm (9,0 inch). B) Gebruik de kabelmof niet met een koord. Wijzig het systeem op geen enkele manier.
<b>D</b>	ID/partijnummer (JJMMWWTT): JJ = laatste twee cijfers van het productiejaar. MM = productiemaand. WW = week van het productiejaar. TT = alleen voor intern gebruik van 3M.
<b>E</b>	1) Installatiedatum 2) Geïnstalleerd door 3) Verankeringsvereisten 4) Maximaal aantal gebruikers per systeem 5) Systeemplengte 6) Fabricagedatum 7) Inspectiedatum 8) Serienummer 9) Systeemwaarschuwingen 10) Kabeltype en compatibiliteitsmatrix van mof samen met standaardcertificering. 11) RFID-tag (zie hoofdstuk 7.0)

**Tabel 2: Inspectie- en onderhoudslogboek**

<b>Inspectiedatum:</b>		<b>Geïnspecteerd door:</b>	
<b>Onderdeel:</b>	<b>Inspectie:</b> (Zie hoofdstuk 2 voor <i>inspectiefrequentie</i> ).	<b>Gebruiker</b>	<b>Deskundige</b>
Kabelmof (Afbeelding 2)	Inspecteer de hendel (C) op verbuigingen, scheuren en vervormingen. Alle bevestigingen moeten goed bevestigd zijn. De werking van de hendel en de kam moet vrij en soepel zijn. Veren moeten veilig zijn en voldoende kracht hebben om de hendel naar beneden te trekken. De hendel fungeert ook als schokdemper en valindicator. De hendel vervormt als deze is gebruikt voor valstop. Afbeelding 11.3 toont een voorbeeld van een hendel die niet is gebruikt voor valstop (A) en een hendel die is gebruikt voor valstop en is vervormd (B). Gebruik de hendel niet als deze meer dan A = 12,7 mm (1/2 inch) is vervormd. De mof moet buiten gebruik worden gesteld.	<input type="checkbox"/>	<input type="checkbox"/>
	Inspecteer de vergrendelingshendel (E) op een soepele werking en controleer of deze terugveert in de vergrendelde positie wanneer hij wordt losgelaten.	<input type="checkbox"/>	<input type="checkbox"/>
	Inspecteer de vergrendelingsnok (H) op slijtage. Bevestig dat de kam onbeschadigd is.	<input type="checkbox"/>	<input type="checkbox"/>
	Inspecteer de vergrendelingsnok (H) door de mof verticaal te houden met de hendel (C) in de rechtopstaande positie en de mof op en neer te schudden om een val te simuleren. De kam moet vrij kunnen roteren.	<input type="checkbox"/>	<input type="checkbox"/>
	Inspecteer de vergrendelingsnok (H) door de mof horizontaal te zetten met de hendel (C) in de rechtopstaande positie en de mof aan de achterkant op een vlak oppervlak te zetten met het Lad-Saf X3-label naar boven wijzend. De kam moet volledig omhoog kunnen roteren tot de bovenkant van de mof.	<input type="checkbox"/>	<input type="checkbox"/>
	Inspecteer de werking van de zijplaat (B) door hem terug te trekken en zodoende te proberen de kabelopening te openen. Hij mag niet roteren. Als hij roteert zonder de vergrendelingshendel (E) te moeten roteren, stelt u de mof buiten gebruik.	<input type="checkbox"/>	<input type="checkbox"/>
	Inspecteer de gehele unit op tekenen van roest.	<input type="checkbox"/>	<input type="checkbox"/>
Bovenbeugel (Afbeelding 11.2)	Controleer op een correcte installatie volgens de installatie-instructies van het Lad-Saf™-veiligheidssysteem met verticale kabel, 3M Fall Protection-handleiding 5908282 of 5903435.	<input type="checkbox"/>	<input type="checkbox"/>
	Controleer op zichtbare schade of roest. Controleer op breuken, verbuigingen of slijtage die een negatieve invloed zouden kunnen hebben op de sterkte en werking van het systeem. Inspecteer de lasnaden. Controleer op gebarsten of gebroken lasnaden die een negatieve invloed zouden kunnen hebben op de sterkte van de beugel. Vervang componenten als er defecten worden aangetroffen.	<input type="checkbox"/>	<input type="checkbox"/>
	Controleer op loszittende of ontbrekende bevestigingen waarmee de bovenste beugel aan de constructie is bevestigd (bouten, klemplaten, U-bouten). Als er bevestigingen loszitten, moeten deze opnieuw worden vastgedraaid tot het draaimoment dat vermeld staat in de Installatie-instructies die zijn meegeleverd bij uw Lad-Saf-veiligheidssysteem met flexibele kabel.	<input type="checkbox"/>	<input type="checkbox"/>
	Inspecteer de bovenplaat op vervorming. De afstand is minimaal 5 mm (0,20") op locatie A.	<input type="checkbox"/>	<input type="checkbox"/>
	Zorg ervoor dat zowel de grote pen (B) als de kleine pen op hun plaats zitten. Zorg ervoor dat de veerpoort (C) op zijn plaats zit.	<input type="checkbox"/>	<input type="checkbox"/>
	Inspecteer de enkelpuntverankering (D) op scheuren of tekenen van beschadiging. Inspecteer het draaimoment van de sluiting. Zorg ervoor dat de sluitring zichtbare markeringen heeft.	<input type="checkbox"/>	<input type="checkbox"/>
Bodembeugel (Afbeelding 11.1)	Controleer op een correcte installatie volgens de installatie-instructies van het Lad-Saf™-veiligheidssysteem met verticale kabel, 3M Fall Protection-handleiding 5908282 of 5903435.	<input type="checkbox"/>	<input type="checkbox"/>
	Controleer op schade of roest. Controleer op breuken, verbuigingen of slijtage die een negatieve invloed zouden kunnen hebben op de sterkte en werking van het systeem. Vervang componenten als er defecten worden aangetroffen.	<input type="checkbox"/>	<input type="checkbox"/>
	Controleer op loszittende of ontbrekende bevestigingen waarmee de onderste beugel aan de constructie is bevestigd. Als bevestigingen loszitten, moeten deze opnieuw worden vastgedraaid tot het draaimoment dat vermeld staat in de Installatie-instructies die zijn meegeleverd bij uw Lad-Saf-ladder-veiligheidssysteem met flexibele kabel.	<input type="checkbox"/>	<input type="checkbox"/>
	Inspecteer de spanboutconstructie. Controleer of de zadelclips de kabel goed vastzetten. Controleer het draaimoment op de zadelklemmen; draaimoment tot 47 N-m (35 ft-lb). Vervang ze of draai ze aan als er defecten worden aangetroffen.	<input type="checkbox"/>	<input type="checkbox"/>

**Tabel 2: Inspectie- en onderhoudslogboek**

<b>Inspectiedatum:</b>		<b>Geïnspecteerd door:</b>	
<b>Onderdeel:</b>	<b>Inspectie:</b> (Zie hoofdstuk 2 voor <i>inspectiefrequentie</i> ).	<b>Gebruiker</b>	<b>Deskundige</b>
Kabelgeleiders (Afbeelding 1)	Controleer de kabelgeleiders op schade. Kijk of het zwarte urethaan versleten of beschadigd is. Kabelgeleiders moeten de kabel tegenhouden en voorkomen dat de kabel contact maakt met de ladder/constructie. Kabelgeleiders moeten op ongeveer 6-12 m (20-40 ft.) langs de draagkabel worden geplaatst, of dichterbij indien nodig. Vervang componenten als er defecten worden aangetroffen.	<input type="checkbox"/>	<input type="checkbox"/>
	Controleer de bevestigingen van de kabelgeleiders. De bevestigingen moeten de kabelgeleiders goed op hun plaats houden. Draai ze vast als dat noodzakelijk is.	<input type="checkbox"/>	<input type="checkbox"/>
Kabel (Afbeelding 1)	Inspecteer de kabel op roest, knikken of schade die een negatieve invloed zouden kunnen hebben op de sterkte en die de kabelmof zouden kunnen belemmeren om zich over de kabel heen te bewegen. Als er knikken in de ladderkabel zitten, moet de kabel door een deskundige worden geïnspecteerd voordat de kabel weer in gebruik wordt genomen. Inspecteer op tekenen van schuren tegen de ladder of constructie. Vervang de kabel als er defecten worden aangetroffen.	<input type="checkbox"/>	<input type="checkbox"/>
	Inspecteer op de juiste spanning. De groef moet zichtbaar zijn boven de onderste sjabloon (zie toelichting "E", afbeelding 11.1). De spanboutconstructie mag niet met de hand naar beneden getrokken kunnen worden. De kabel moet strak genoeg zijn om contact met de ladder/constructie te voorkomen. Trek de kabel indien nodig opnieuw strak. Trek het systeem niet te strak aan.	<input type="checkbox"/>	<input type="checkbox"/>
Labels (Afbeelding 9)	Zorg ervoor dat alle labels aanwezig en volledig leesbaar zijn.	<input type="checkbox"/>	<input type="checkbox"/>
PFAS en andere apparatuur	Aanvullende persoonlijke valstopsysteemapparatuur (Personal Fall Arrest System (PFAS) (harnas, SRD, enz.) die met het verankeringssysteem wordt gebruikt, moet volgens de instructies van de fabrikant worden geïnstalleerd en geïnspecteerd.	<input type="checkbox"/>	<input type="checkbox"/>
Constructie	Controleer of de structuur waarop de constructie bevestigd is aan de sterktevereisten in tabel 1 voldoet in alle mogelijke belastingsrichtingen.	<input type="checkbox"/>	<input type="checkbox"/>

<b>Serienummer(s):</b>	<b>Aankoopdatum:</b>
<b>Modelnummer(s):</b>	<b>Datum van eerste gebruik:</b>

<b>Corrigerende maatregel/Onderhoud:</b>	Goedgekeurd door:	De volgende inspectie moet uitgevoerd worden op:
	Datum:	
<b>Corrigerende maatregel/Onderhoud:</b>	Goedgekeurd door:	De volgende inspectie moet uitgevoerd worden op:
	Datum:	
<b>Corrigerende maatregel/Onderhoud:</b>	Goedgekeurd door:	De volgende inspectie moet uitgevoerd worden op:
	Datum:	
<b>Corrigerende maatregel/Onderhoud:</b>	Goedgekeurd door:	De volgende inspectie moet uitgevoerd worden op:
	Datum:	
<b>Corrigerende maatregel/Onderhoud:</b>	Goedgekeurd door:	De volgende inspectie moet uitgevoerd worden op:
	Datum:	
<b>Corrigerende maatregel/Onderhoud:</b>	Goedgekeurd door:	De volgende inspectie moet uitgevoerd worden op:
	Datum:	
<b>Corrigerende maatregel/Onderhoud:</b>	Goedgekeurd door:	De volgende inspectie moet uitgevoerd worden op:
	Datum:	
<b>Corrigerende maatregel/Onderhoud:</b>	Goedgekeurd door:	De volgende inspectie moet uitgevoerd worden op:
	Datum:	
<b>Corrigerende maatregel/Onderhoud:</b>	Goedgekeurd door:	De volgende inspectie moet uitgevoerd worden op:
	Datum:	
<b>Corrigerende maatregel/Onderhoud:</b>	Goedgekeurd door:	De volgende inspectie moet uitgevoerd worden op:
	Datum:	
<b>Corrigerende maatregel/Onderhoud:</b>	Goedgekeurd door:	De volgende inspectie moet uitgevoerd worden op:
	Datum:	



Vennligst les, forstå og følg all sikkerhetsinformasjon i disse instruksjonene før du tar dette vertikale systemet i bruk. UNNLATELSE AV Å GJØRE DETTE KAN FØRE TIL ALVORLIG PERSONSKADE ELLER DØDSFALL.

Disse instruksjonene må gis til brukeren av utstyret. Ta vare på disse instruksjonene for fremtidig referanse.

## Tilsiktet bruk:

Dette vertikale systemet er beregnet for bruk som del av et komplett personlig fallsikringssystem.

Bruk i en hvilken som helst annen sammenheng inkludert, men ikke begrenset til, materialhåndtering, fritidsbruk eller idrettsrelaterte aktiviteter, eller andre aktiviteter som ikke beskrives i Brukerinstruksjonene, er ikke godkjent av 3M og kan resultere i alvorlig personskade eller død.

Denne innretningen skal bare brukes av opplærte brukere i arbeidsplassanvendelser.

## ADVARSEL

Dette systemet for fleksibel kabel/rigid skinne er del av et personlig fallsikringssystem. Det forventes at alle brukere er fullt opplært i sikker installering og betjening av deres personlige fallsikringssystem. **Misbruk av denne innretningen kan resultere i alvorlig personskade eller dødsfall.** For riktig utvelgelse, betjening, installering, vedlikehold og service, se disse brukerinstruksjonene, og se en arbeidsleder for alle produsentens anbefalinger, eller kontakt 3M Tekniske tjenester.

- **For å redusere risikoen forbundet med å arbeide med et system for fleksibel vaier / rigid skinne som, hvis den ikke unngås, kan resultere i alvorlig personskade eller død:**
  - Inspiser alle komponenter i systemet før hver bruk, minst én gang årlig, og etter enhver fallhendelse. Inspiser i samsvar med Brukerinstruksjonene.
  - Hvis inspeksjonen avdekker en usikker eller defekt tilstand i en komponent av systemet, må komponenten tas ut av tjeneste og destrueres.
  - Ethvert system for fleksibel vaier / rigid skinne som har vært utsatt for fallstans eller støtkraft, må straks tas ut av tjeneste og alle komponenter må inspiseres av en kompetent person før de kan brukes igjen.
  - Ikke koble deg til systemet mens det blir installert.
  - Sørg for at systemet er riktig justert for antallet samtidige brukere.
  - Når vaieren pakkes ut, kan den vikle seg raskt ut. Bruk riktige sikkerhetsprosedyrer og egnet personlig verneutstyr når kabelen pakkes ut.
  - Bruk kun godkjente tilkoblingselementer for å feste kroppsseletøyet til systemet. Ikke bruk noen ekstra tilkoblingselementer.
  - Bruk kun vaier som er spesifisert og godkjent i brukerinstruksjonene.
  - Ikke grip inn i låsemekanismen til spole-/bøssingsinnretningen. Bare manipuler innretningen for å feste og løsne den fra systemet.
  - Behold alltid tre kontaktpunkter mens du klatrer. Se brukerinstruksjonene for ytterligere informasjon om riktig klatreteknikk.
  - Sørg for at fallsikringssystemer/undersystemer som er satt sammen av komponenter fremstilt av forskjellige produsenter er kompatible og oppfyller kravene i gjeldende standarder, inkludert ANSI Z359 eller andre gjeldende fallsikringsnormer, standarder eller krav. Rådfør deg alltid med en kompetent og/eller kvalifisert person før du bruker disse systemene.
- **For å redusere risikoen som er forbundet med arbeid i høyden, og som, dersom det ikke unngås, kan resultere i alvorlig personskade eller død:**
  - Sørg for at din helse og fysiske tilstand gjør det mulig for deg sikkert å motstå alle de krefter som er forbundet med arbeid i høyden. Rådfør deg med legen din hvis du har noen spørsmål angående din evne til å bruke dette utstyret.
  - Du må aldri overskride tillatt kapasitet for ditt fallsikringsutstyr.
  - Du må aldri overskride maksimal frifallavstand for ditt fallsikringsutstyr.
  - Ikke bruk noe fallsikringsutstyr som ikke består inspeksjoner før bruk eller andre planmessige inspeksjoner, eller dersom du har bekymringer om bruken, eller om hvor egnet utstyret kan være for ditt bruksområde. Kontakt 3M Tekniske tjenester med eventuelle spørsmål.
  - Noen delsystemer og delekombinasjoner kan hindre bruken av dette utstyret. Bruk kun kompatible koblinger. Kontakt 3M dersom dette utstyret blir brukt sammen med andre komponenter eller delsystemer enn de som beskrives i bruksanvisningen.
  - Utvis ekstra forsiktighet når du arbeider rundt bevegelig maskineri (f.eks. rotasjonssystemet for oljerigger), elektriske farer, ekstreme temperaturer, kjemiske farer, eksplosive eller giftige gasser, skarpe kanter, eller nedenfor overhengende materialer som kan falle ned på deg eller ditt fallsikringsutstyr.
  - Bruk lysbueflamme eller Hot Works-innretninger når du arbeider i miljøer med høy varme.
  - Unngå overflater og gjenstander som kan skade brukeren eller utstyret.
  - Sørg for at det er tilstrekkelig fallklaring når du arbeider i høyden.
  - Du må aldri modifisere eller endre på ditt fallsikringsutstyr. Bare 3M eller virksomheter med skriftlig godkjennelse kan reparere dette utstyret.
  - Før bruk av fallsikringsutstyr, pass på at det finnes en redningsplan som muliggjør rask redning hvis et falluhell skulle inntreffe.
  - Hvis et falluhell inntreffer, søk umiddelbar medisinsk hjelp for arbeideren som har falt.
  - Ikke bruk støttebelter til fallstoppp bruk. Bruk kun en helkroppssele.
  - Begrens svingfall ved å arbeide så rett under forankringspunktet som mulig.
  - Hvis du trener med denne innretningen, må et sekundært fallsikringssystem benyttes på en slik måte at det ikke eksponerer lærlingen for en utilsiktet fallfare.
  - Ha alltid på hensiktsmessig personlig verneutstyr når du installerer, bruker eller inspiserer innretningen/systemet.



Skriv ned produktidentifikasjonen fra ID-merket i inspeksjons- og vedlikeholdsloggen (tabell 2) på baksiden av denne veiledningen før installasjon og bruk av utstyret.

Forsikre deg alltid om at du bruker den siste revisjonen av 3M-brukerveiledningen. Gå til 3M-nettstedet eller kontakt 3Ms tekniske tjenester for oppdaterte brukerveiledninger.

## PRODUKTBEKRIVELSE:

Figur 1 illustrerer 3M™ DBI-SALA® Lad-Saf™-sikkerhetssystemet for stige. Lad-Saf™-sikkerhetssystemet for stige er designet for å beskytte en arbeider i tilfelle fall ved klatring av festede stiger eller lignende klatrestrukturer. Lad-Saf-systemet består av en øverste brakett, en vaierkabel, fallbrems, vaierføring, systemskilt og en nedre brakett. Den øvre braketten (A) er festet på toppen av stigen og forankrer vaieren (B) i samordning med den nedre braketten (F), som er festet nederst på stigen. Fallbremsen (C) beveger seg opp og ned langs vaieren sammen med brukeren og festes til den fremre D-ringen på brukers sele. Vaierføringen (D) sikrer at vaieren forblir på plass. Systemskiltet (E) viser viktig sikkerhetsinformasjon, og skal plasseres ved et punkt på eller i nærheten av systemet. Systemskiltet er synlig som etikett «E» i figur 10.

Figur 2 illustrerer komponentene i Lad-Saf X3-fallbremsen. Fallbremsen består av den øvre valsen, den roterende sideskiven, håndtaket, fallbremsehuset, låsespaken, den nedre valsen, karabinkroken og låsekammen. Den øvre valsen (A) fester fallbremsen til vaieren i samordning med den nedre valsen (F). Den roterende sideskiven (B) og håndtaket (C) kan åpnes for å muliggjøre plassering av fallbremsen på vaieren. Fallbremsehuset (D) utgjør fallbremsens hovedstruktur. Låsespaken (E) låser fallbremsen og forhindrer utilsiktet åpning av innretningen. Låsekammen (H) holder fallbremsen på plass når den er låst. Karabinkroken (G) festes til den fremre D-ringen på brukers sele.

Se tabell 1 for komponentspesifikasjoner for Lad-Saf X3 vertikal fallbrems og -system.

**Tabell 1 – Spesifikasjoner**

Systemspesifikasjoner:				
<b>Systeminstallasjon:</b>	<b>Installeringsinstruksjoner</b>	<b>Systemtype</b>	<b>Systembeskrivelse</b>	
	5908282	Vertikalt	Lad-Saf-sikkerhetssystem med fleksibel vaier	
	5903435	Vertikalt	Lad-Saf-sikkerhetssystem med fleksibel vaier og roterende D-ring	
<b>Lad-Saf-fallbrems:</b>	<b>Artikkelnummer</b>	<b>Aktiveringskraft</b>	<b>Maks. brukslengde</b>	<b>Minimum bruddstyrke</b>
	6160054	2,0 kN (450 lbf)	102 mm (4,0 tommer)	16 kN (3600 lbf)
<b>Kapasitet:</b>	Hver bruker må ha en samlet vekt (klær, verktøy osv.) på 40 kg til 140 kg (88 lb. til 310 lb.). Lad-Saf-systemet kan ha opptil fire brukere samtidig, men hver eneste Lad-Saf X3 vertikal fallbrems kan kun ha én bruker festet. Ved flere brukere må det brukes flere fallbrems.			
<b>Forankringskrav:</b>	<b>Antall brukere</b>	<b>Forankringsstyrke</b>	<b>Antall brukere</b>	<b>Forankringsstyrke</b>
	1	12 kN (2,700 lbf)	3	17,5 kN (3940 lbf)
	2	14,8 kN (3320 lbf)	4	20,3 kN (4560 lbf)
<b>Brukstemperatur:</b>	-40 °C til 60 °C (-40 °F til 140 °F)			
<b>Standarder:</b>	Lad-Saf X3 vertikal fallbrems og -system er blitt testet i samsvar med standardene som er identifisert på forsiden av disse brukerinstruksjonene.			
<b>Kabelspesifikasjoner:</b>	Lad-Saf X3-fallbremsen kan kun brukes med en fast kjernevaier med en diameter på 3/8 tomme (9,5 mm). Bruk med en annen type vaier er forbudt og kan føre til alvorlig personskade eller død.			
	<b>Artikkelnummer</b>	<b>Beskrivelse</b>	<b>Materiale</b>	<b>Minimum bruddstyrke</b>
	6104XXX / CE 6134XXX	9,5 mm (3/8 tomme), 1 x 7	Galvanisert stål	68,5 kN (15 400 lbf)
	6105XXX / CE 6135XXX	9,5 mm (3/8 tomme), 1 x 7	Rustfritt stål	80 kN (18 000 lbf)
	6106XXX / CE 6136XXX	9,5 mm (3/8 tomme), 7 x 19	Galvanisert stål	64 kN (14 400 lbf)
6107XXX / CE 6137XXX	9,5 mm (3/8 tomme), 7 x 19	Rustfritt stål	53,3 kN (12 000 lbf)	
	<b>Vekt</b>			
				0,41 kg / m (0,27 lb./ft)
				0,41 kg / m (0,27 lb./ft)
				0,41 kg / m (0,27 lb./ft)
				0,41 kg / m (0,27 lb./ft)

**Tabell 1 – Spesifikasjoner**

**Komponentspesifikasjoner:**

**Lad-Saf-sikkerhetssystem for stige:**

<b>Figur 1 Referanse</b>	<b>Komponent</b>	<b>Materialer</b>
Ⓐ	Øvre brakett	Galvanisert stål eller rustfritt stål
Ⓑ	Kabel	Galvanisert stål eller rustfritt stål
Ⓒ	Fallbrems	Rustfritt stål
Ⓓ	Vaierføring	Uretan
Ⓔ	Systemskilt	Rustfritt stål
Ⓕ	Nedre brakett	Galvanisert stål eller rustfritt stål

**Lad-Saf-fallbrems:**

<b>Figur 2 Referanse</b>	<b>Komponent</b>	<b>Materialer</b>
Ⓐ	Øvre valse	Nylon
Ⓑ	Roterende sideskive	Rustfritt stål
Ⓒ	Håndtak	Rustfritt stål
Ⓓ	Fallbremsehus	Rustfritt stål
Ⓔ	Låsespak	Rustfritt stål
Ⓕ	Nedre støtterull	Nylon
Ⓖ	Karabinkrok	Forsinket stål
Ⓗ	Låsekam	Rustfritt stål

## 1.0 PRODUKTETS BRUKSOMRÅDE

- 1.1 FORMÅL:** Dette Lad-Saf™-sikkerhetssystemet for stige er en del av et personlig fallsikringsystem. Ved bruk i kombinasjon med Lad-Saf™ avtagbar fallbrems er Lad-Saf-sikkerhetssystemet for stige designet for å beskytte en arbeider i tilfelle fall ved klatring av festede stiger eller lignende klatrestrukturer.

**Kun fallstopp:** Ikke bruk Lad-Saf™-sikkerhetssystemet for stige til andre formål enn fallstopp.

- 1.2 STANDARDER:** Sikkerhetssystemet for stige oppfyller kravene til nasjonale eller regionale standarder som oppgis på omslaget til denne brukerveiledningen. Hvis dette produktet selges utenfor det opprinnelige destinasjonslandet, må forhandleren stille disse instruksjonene til rådighet på språket i det aktuelle landet der produktet vil bli brukt.
- 1.3 KONTROLL:** Bruken av Lad-Saf-sikkerhetssystem for stige må skje under oppsyn av en kompetent person<sup>1</sup>. Montering av Lad-Saf-sikkerhetssystem for stige skal overvåkes av en kvalifisert person<sup>2</sup>.
- 1.4 OPPLÆRING:** Lad-Saf-sikkerhetssystemet for stige må monteres og brukes av personer som har fått opplæring i riktig bruk av utstyret. Denne brukerveiledningen skal brukes som en del av en ansatts opplæringsprogram som påkrevd av nasjonale, regionale eller lokale forskrifter. Montørene av dette utstyret har ansvar for å gjøre seg kjent med disse anvisningene, få opplæring i riktig pleie og bruk av dette utstyret, og være klar over bruksegenskaper, bruksbegrensninger og følgene av uriktig bruk av dette utstyret.
- 1.5 REDNINGSPLAN:** Ved bruk av dette utstyret og tilkobling av delsystemer må arbeidsgiveren ha en redningsplan og redningsutstyr tilgjengelig, samt informere brukere, autoriserte personer<sup>3</sup> og redningspersoner<sup>4</sup>. Det anbefales å ha et opplært redningsteam på stedet. Teammedlemmer skal forsynes med utstyr og teknikker til å utføre en vellykket redning. Det bør gis regelmessig opplæring for å sikre at redningspersonellens kunnskaper opprettholdes.
- 1.6 INSPEKSJONSINTERVALLER:** Sikkerhetssystemet for stige skal kontrolleres av brukeren før hver bruk, og i tillegg av en annen kompetent person enn brukeren, i intervaller som ikke overskrider ett år.<sup>5</sup> Prosedyrene for inspeksjon beskrives i *inspeksjons- og vedlikeholdsloggen*. Resultatene fra hver inspeksjon som er utført av en kvalifisert person, må registreres på kopier av *inspeksjons- og vedlikeholdsloggen*.
- 1.7 ETTER ET FALL:** Hvis Lad-Saf-systemet er blitt utsatt for en fallpåkjenning, må det umiddelbart tas ut av bruk og tydelig merkes med «MÅ IKKE BRUKES». Lad-Saf-fallbrems og -system må deretter destrueres eller videresendes til 3M for utskifting.

## 2.0 SYSTEMKRAV

- 2.1 FORANKRING:** Forankringskravene varierer med fallsikringens bruksområde. Konstruksjonen der sikkerhetssystemet for stige er plassert eller montert, skal oppfylle forankringsspesifikasjonene angitt i tabell 1.
- 2.2 FARER:** Bruk av dette utstyret i områder med miljøfarer kan kreve ekstra forholdsregler for å hindre skade på brukeren eller utstyret. Farer kan inkludere, men er ikke begrenset til: varme, kjemikalier, etsende miljøer, høyspenningsledninger, eksplosive eller giftige gasser, bevegelige maskiner, skarpe kanter eller høytliggende materialer som kan falle ned på brukeren eller fallsikringsystemet.
- 2.3 KOMPATIBILITET MED KLATREHJELP:** Ikke bruk en strømforsynt klatrehjelp (PCA) sammen med et 3M-fallsikringsystem for klatrestige (CLFAS), inkludert Lad-Saf vertikalt livlinesystem og avtagbare Lad-Saf X2-, X3- eller X3+-fallbrems, med mindre PCA er blitt verifisert av 3M som kompatibel med 3Ms CLFAS. Unnlattelse av å overholde denne advarselen kan føre til at en brukers fall ikke blir stanset ved fall fra høyde, hvis det brukes inkompatible PCA- og CLFAS-systemer. Kontakt 3M Tekniske tjenester på [3MFallProtectionTech@mmm.com](mailto:3MFallProtectionTech@mmm.com) med spørsmål du måtte ha.

**Bruk av klatrehjelpesystemer som ikke er kompatible med 3Ms vertikale systemer, kan føre til alvorlig personskade eller dødsfall.**

- 2.4 KOMPONENTKOMPATIBILITET:** Utstyr fra 3M er kun laget for bruk sammen med komponenter og delsystemer som er godkjent av 3M. Utskifting eller erstatning med komponenter eller delsystemer som ikke er godkjent kan påvirke utstyrets kompatibilitet og gå ut over sikkerheten og påliteligheten til hele systemet.
- 2.5 TILKOBLINGSKOMPATIBILITET:** Koblinger anses å være kompatible med koblingselementene når de er konstruert for å virke sammen på en slik måte at størrelse og form ikke får lukkemekanismene til å åpnes utilsiktet, uansett hvordan de posisjoneres. Kontakt 3M hvis du har spørsmål om kompatibilitet.
- Koblinger (kroker, karabinkroker og D-ringer) må ha en kapasitet på minst 22,2 kN (5000 lbf). Koblingene må være kompatible med forankringen og andre systemkomponenter. Ikke bruk utstyr som ikke er kompatibelt. Ikke-kompatible koblinger kan løsne utilsiktet (se figur 4). Påse at koblingene er kompatible når det gjelder størrelse, form og styrke. Hvis koblingselementet, som en sikkerhetskrok eller karabinkrok er festet til, er for lite eller har en ujevn form, kan det oppstå en situasjon hvor koblingselementet overfører kraft på krokens feste (A). Denne kraften kan gjøre at festet åpnes (B) og føre til at kroken løsner fra koblingspunktet (C).
- Selvåsende sikkerhets- og karabinkroker kreves av ANSI Z359 og OSHA.

**1 Kompetent person:** En person som er i stand til å identifisere eksisterende og forutsigbare farer i omgivelsene eller arbeidsforhold som er uhygieniske, risikable eller farlige for ansatte, og som har myndighet til å utbedre eller fjerne dem.

**2 Kvalifisert person:** En person med en anerkjent grad, sertifikat eller profesjonell anseelse, eller som ved omfattende kunnskap, opplæring og erfaring, har demonstrert sin evne til å løse eller ordne opp i problemer knyttet til fallsikrings- og redningssystemer i den grad det kreves av OSHA eller andre gjeldende føderale, statlige og lokale forskrifter.

**3 Autorisert Person:** En person som er utnevnt av arbeidsgiver til å utføre oppgaver på stedet hvor personen vil være utsatt for fallrisiko.

**4 Redningsperson:** En annen person eller andre personer enn den som reddes, som utfører en assistert redningsaksjon ved bruk av et redningssystem.

**5 Inspeksjonsintervaller:** Ekstreme arbeidsforhold (tøffe miljøer, langvarig bruk osv.), kan gjøre det nødvendig med hyppigere kontroller av en kompetent person.

**2.6 TILKOBLINGER:** Sikkerhets- og karabinkrokene som brukes med dette utstyret, må være selvlåsende. Påse at koblingene er kompatible når det gjelder størrelse, form og styrke. Ikke bruk utstyr som ikke er kompatibelt. Kontroller at alle koblinger er fullstendig lukket og låst.

Koblinger fra 3M (sikkerhets- og karabinkroker) er kun beregnet på bruk slik det er spesifisert i produktets brukerveiledning. Se figur 5 for eksempler på feilaktige koblinger. Sikkerhets- og karabinkroker må ikke kobles som følger:

- A. til en D-ring hvor det allerede finnes en annen kobling.
- B. på en måte som vil føre til belastning på porten, dvs. sikkerhetskroker med stor hals skal ikke kobles til D-ringer av standard størrelse eller liknende gjenstander, da dette vil resultere i belastning på krokens lås hvis kroken eller D-ringen vrir seg eller roterer, med mindre kroken er utstyrt med en lås som tåler 16 kN (3600 lbs). Kontroller merkingen på sikkerhetskroken for å bekrefte at den er egnet til ditt bruksområde.
- C. i et falskt feste, der elementer som stikker ut fra låsekroken eller karabinkroken tar tak i forankringen, og der manglende visuell bekreftelse gjør at det virker som om kroken har korrekt tak i forankringspunktet.
- D. til hverandre.
- E. direkte til stropper eller livliner eller tilbakekobling av tau (med mindre produsentens veiledning for både livlinen og koblingen spesifikt tillater dette).
- F. til et objekt som er formet eller dimensjonert slik at låsekroken eller karabinkroken ikke vil lukke og låse, eller hvor utrulling kan forekomme.
- G. på en måte som gjør at koblingen ikke er korrekt innrettet under belastning.

### 3.0 INSTALLASJON

Se instruksjonene for produktinstallasjon for mer informasjon om Lad-Saf-systemets installasjonsprosedyrer. Se IFU 5908282 eller IFU 5903435 for mer informasjon.

**3.1 PLANLEGGING:** Planlegg din bruk av Lad-Saf-sikkerhetssystemet før du starter arbeidet. Vurder faktorer som kan påvirke sikkerheten din før, under og etter et fall. Ta hensyn til alle krav, begrensninger og spesifikasjoner som defineres i del 2 og tabell 1.

- Pass på at systemet er klassifisert for nødvendig antall brukere.
- Det er farer forbundet med å koble systemet til og fra. Bruk sekundær fallsikringsbeskyttelse. Sørg for adekvate forankringspunkter, landingsplattformer eller annet på til- og frakoblingspunktene slik at brukere trygt kan gå inn i og ut av systemet.
- Det skal være en klarering på 2,0 m (7,0 fot) mellom brukerens føtter og bakken nedenfor. Brukeren er ikke nødvendigvis beskyttet mot å treffe bakken eller mot å lande i løpet av de første (2,0 m (7,0 fot) av oppstigningen eller de siste 2,0 m (7,0 fot) av nedstigningen. Bruk riktige klatreprosedyrer (ha f.eks. tre kontaktpunkter med hender og føtter) ved klatring opp eller ned på deler av stigen som ikke er beskyttet med Lad-Saf™-systemet.
- Bruk riktige sikkerhetsprosedyrer ved klatring. Ikke bær på verktøy eller utstyr i hendene. Hold hendene fri ved klatring. Sørg for at det som bæres, er sikret slik at det ikke kan falle på klatrere nedenfor. Klatre i din egen takt. Lange klatringer kan kreve flere hvilepauser for å unngå å slite deg ut. Bruk riktig arbeidsposisjoneringssystem for hvilepauser. Du må **ikke** klatre i sterk vind eller dårlige værforhold.
- Pass på at bare én bruker klatrer mellom vaierførerne.

**3.2 KOBLE FALLBREMSEN TIL BÆREVAIEREN:** Lad-Saf X3 vertikal fallbrems må kobles til et 3M Lad-Saf-sikkerhetssystem for stige som skal brukes. Se figur 7 for referanse. For å koble Lad-Saf X3fallbremsen til bærevaiieren i Lad-Saf-systemet:

1. **Plasser fallbremsen slik at «oppoverpilen» på fallbremsen (I) peker oppover.**
2. **Vri låsespaken (G) til åpen posisjon.** Figur 3 viser låsespakposisjonene låst (A) og ulåst (B). Låsespaken er på begge sider av den avtagbare fallbremsen, slik at den kan brukes med både venstre og høyre hånd.
3. **Trekk tilbake på den roterende sideskiven (B) til ytterste posisjon.** Når den roterende sideskiven er rotert så langt det går, kan låsespaken (E) frigis. Låsekammen (H) vil bli fullstendig uttrukket.
4. **Roter håndtaket (D) til det står rett opp.** Dette gjør at låsekammen flyttes ut av veien, slik at fallbremsen kan installeres på vaiieren.
5. **Hold fallbremsen oppreist og sett vaiieren (J) inn gjennom sporet på siden av fallbremsen med en løftebevegelse oppover.** Posisjoner vaiieren i fallbremsrennen. Løsne håndtaket (C) mens du roterer sideskiven (B) og låsespaken (E) for å låse fast fallbremsen på vaiieren. **Sørg for at låsespaken (E) er i låst posisjon før bruk.**

**3.3 KOBLE FALLBREMSEN TIL SELEN:** Fallbremsen kan kobles til helkroppsselen før eller etter at fallbremsen er installert på Lad-Saf-systemet. Et sekundært fallsikringssystem anbefales ved tilkobling til eller frakobling fra Lad-Saf-systemet. Håndtering av fallbremsen under opp- eller nedstiging utsetter brukeren for fallfarer. Lad-Saf-systemet skal maksimalt ha en vinkel på 15° fra det vertikale til enhver tid under bruk.

Ikke bruk andre tilkoblingsenheter eller kombiner enheter (f.eks. livline) med koblingen som leveres med fallbremsen. Bruk alltid karabinkoblingen som ble levert med fallbremsen. Ikke bytt den ut med andre fester.

- **KLATRE OPPOVER:** Oppoverklatring skal til enhver tid foretas mens tre kontaktpunkter vedlikeholdes (med hender og føtter). Lad-Saf X3 avtagbar fallbrems kommer til å følge med klatreren. Bærevaiieren spretter ut av vaierførerne når man støter på disse. **Ikke håndter eller fjern fallbremsen fra bærevaiieren mens vaierlederne passerer eller hvis fallbremsen låser seg.**
- **KLATRE NED:** Nedoverklatring skal gjøres jevnt mens tre kontaktpunkter vedlikeholdes til enhver tid (med hender og føtter). La Lad-Saf X3 avtagbar fallbremse «leder» klatreren nedover. Ved nedstigning i en uvanlig posisjon (f.eks. ved overreven bakoverlening eller ujevn klatring) kan fallbremsen låse seg på bærevaiieren. Dersom fallbremsen låser seg, må du bevege deg forsiktig oppover for å frigjøre den, før du fortsetter å klatre ned. Koble bærevaiieren tilbake i vaierførerne etter at du har passert hver vaierfører. **Ikke håndter eller fjern fallbremsen fra bærevaiieren mens vaierførerne passerer eller hvis fallbremsen låser seg.**
- **KOBLE FRA:** Når klatringen er fullført, kobler du fallbremsen fra systemet. Se figur 2 for komponentreferanser.
  1. Fjern fallbremsen fra vaiieren ved å vri låsespaken (E).
  2. Trekk sideskiven (B) tilbake, og sving håndtaket (C) til full oppreist posisjon.
  3. fallbremsen kan nå fjernes fra vaiieren og lagres på riktig måte.

### 4.0 BRUK

**4.1 FØR HVER BRUK:** Verifiser at arbeidsområdet og det personlige fallsikringssystemet (Personal Fall Arrest System, PFAS) oppfyller alle kriteriene som er definert i del 2, og at det finnes en formell redningsplan. Inspiser Lad-Saf-systemet i henhold til inspeksjonspunktene under «Bruker» i «inspeksjons- og vedlikeholdsloggen» (tabell 2). Hvis kontrollen avdekker en utrygg eller defekt tilstand, skal ikke systemet brukes. Fjern systemet fra tjenesten umiddelbart og merk tydelig «MÅ IKKE BRUKES». Lad-Saf-vertikal fallbrems og -system må deretter destrueres eller sendes til 3M for utskifting.

**4.2 SYSTEMTILKOBLINGER:** Lad-Saf-systemet må brukes med helkroppsselle. Helkroppsselle til ANSI 2359.11, CSA Z259.10, EN 361 eller andre gjeldende nasjonale, regionale eller lokale standarder. Se produsentens instruksjoner for riktig montering av helkroppsselen. Hvis du vil koble til helkroppsselen, kobler du karabinkroken på Lad-Saf-systemet til den fremre D-ringen (A) på helkroppsselen. Bruk med andre koblinger eller D-ringer på helkroppsselen er forbudt.

OSHA 1910.29 og OSHA 1926.1053 sier at tilkoblingslengden mellom bærevaiieren og festepunktene ikke må overstige 23 cm (9 tommer).

## 5.0 INSPEKSJON

- 5.1 INSPEKSJONSINTERVALLER:** Lad-Saf-systemet må inspiseres ved de intervallene som er definert i del 1. Prosedyrene for inspeksjon beskrives i *inspeksjons- og vedlikeholdsloggen (tabell 2)*. Kontroller alle andre komponenter i fallsikringssystemet i henhold til intervaller og prosedyrer angitt i produsentinstruksjonene.
- 5.2 DEFEKTER:** Hvis inspeksjonen avslører en utrygg eller defekt tilstand, eller hvis det skulle oppstå noen tvil om tilstanden til systemet, må Lad-Saf-systemet tas ut av tjeneste umiddelbart, og det må tydelig merkes med «MÅ IKKE BRUKES». Lad-Saf-vertikal fallbrems og -system må deretter destrueres eller sendes til 3M for utskifting. Ikke prøv å reparere systemet.
- 5.3 PRODUKTLEVETID:** Den bruksmessige levetiden for Lad-Saf-systemet avhenger av arbeidsforhold og vedlikehold. Produktet kan brukes så lenge det oppfyller inspeksjonskriteriene.

## 6.0 VEDLIKEHOLD, SERVICE, OPPBEVARING

- 6.1 RENGJØRING AV SYSTEMET:** Se del 5.0 for inspeksjonsrelaterte vedlikeholdsproblemer. Hvis bærevaiieren blir tilsmusset av olje, maling eller andre stoffer, skal den rengjøres med varmt såpevann. Tørk av vaiieren med en ren, tørr klut. Ikke bruk varme til å tørke. Ikke bruk syrer eller andre etsende kjemikalier som kan skade vaiieren.

Ytterligere vedlikehold og service skal utføres av et autorisert servicesenter. Denne autorisasjonen må være skriftlig.

- 6.2 RENGJØRE FALLBREMSEN:** En tilsmusset Lad-Saf X3 vertikal fallbrems kan rengjøres ved hjelp av følgende prosedyre:
1. Bland fire deler varmt vann med én del mildt rengjøringsmiddel (f.eks. Simple Green eller lignende middel).
  2. Senk fallbremsen ned i løsningen, og la hele fallbremsen ligge i bløt i blandingen i 2–3 timer.
  3. Løft fallbremsen ut av løsningen og skyll med varmt vann i minst ett minutt. Pass på å fjerne smuss som har bygget seg opp.
  4. La kabelen lufttørke i 24 timer før bruk. Bruk av kjølig pumpet luft er akseptabelt.
  5. Se figur 2 for referanse. Påfør en liten mengde smørefett på hengslepunkter (E) eller ved foten av sideskiven (B).
  6. Fullfør en inspeksjon før bruk som angitt i del 5.3. Bekreft at det ikke har satt seg fast noe rusk innvendig, som kan påvirke hvordan fallbremsen fungerer.
- 6.3 OPPBEVARING OG TRANSPORT:** Oppbevar Lad-Saf X3 vertikal fallbrems på et kjølig, tørt og rent sted, skjermet fra direkte sollys. Unngå områder der det finnes kjemikaliedamp. Kontroller fallbremsen grundig etter en lengre lagringsperiode. Lad-Saf-fallbremsen må transporteres i en lukket beholder for å unngå skader, fuktighet eller ultrafiolett lys. Unngå korroderende, overopphetede eller avkjølte omgivelser.
- 6.4 SERVICE:** Kun 3M, eller virksomheter med skriftlig godkjenning fra 3M, kan reparere dette utstyret. Hvis Lad-Saf vertikal fallbrems og -system har vært utsatt for fallkraft, eller inspeksjon avslører utrygge eller defekte forhold, tar du systemet umiddelbart ut av tjeneste og merker det tydelig «MÅ IKKE BRUKES». Lad-Saf-vertikal fallbrems og -system må deretter destrueres eller sendes til 3M for utskifting.

## 7.0 RFID-BRIKKE

- 7.1 STED:** 3M-produkter som dekkes i disse bruksanvisningene, er utstyrt med en brikke for radiofrekvensidentifisering (RFID). RFID-brikker kan brukes sammen med en RFID-brikkeskanner for å registrere resultater av produktinspeksjon. Se figur 8 for hvor RFID-brikken er plassert.
- 7.2 AVHENDING:** Før avhending av dette produktet må du fjerne RFID-brikken og kaste/gjenvinne den i samsvar med lokale bestemmelser. Hvis du vil ha mer informasjon om hvordan du fjerner RFID-brikken, kan du se koblingen til nettstedet nedenfor.



Ikke kast produktet som vanlig, usortert avfall. Symbolet som viser en søppeldunk med kryss over, indikerer at alt EEE (elektrisk og elektronisk utstyr) må avhendes i henhold til lokale lover og regler, gjennom de tilgjengelige retur- og innsamlingssystemene. Ta kontakt med forhandleren eller den lokale 3M-representanten for mer informasjon.

Hvis du vil ha mer informasjon, kan du gå til nettstedet vårt: <http://www.3M.com/FallProtection/RFID>



## 8.0 ETIKETTER og MERKER

**8.1 ETIKETTER:** Figur 9 illustrerer plassering av etiketter på Lad-Saf-sikkerhetssystemet. Figur 10 illustrerer hver etikett i detalj. Etiketter uten et oppført sted på systemet, må plasseres på et sted i nærheten av Lad-Saf-systemet. Informasjonen på hver etikett er som følger:

<b>A</b>	A) Fallbremsmodellnummer B) Serienummer C) Advarselsklæring – følg alle instruksjoner for bruk. D) Les alle brukerinstruksjoner. E) Maksimalt én bruker. F) Gjeldende standard G) Opplysninger om teknisk kontrollorgan H) Brukervektkrav
<b>B</b>	A) «Opp»-retningen på fallbrems for bruk.
<b>C</b>	A) Maksimalt tillatt avstand mellom systemvaier og kroppssele er 23 cm (9,0 tommer). B) Ikke bruk fallbremsen med en livline. Ikke endre systemet på noen som helst måte.
<b>D</b>	ID-/partinummer (ÅÅMMUUTT): ÅÅ = De to siste tallene i produksjonsåret. MM = Produksjonsmåned. UU = Produksjonsuke. TT = Kun for intern bruk i 3M.
<b>E</b>	1) Installasjonsdato 2) Installert av 3) Forankringskrav 4) Maksimalt antall brukere per system 5) Systemlengde 6) Produksjonsdato 7) Inspeksjonsdato 8) Serienummer 9) Systemadvarsler 10) Oversikt over vaiertype og bremskompatibilitet samt sertifisering. 11) RFID-brikke (se avsnitt 7.0)



**Tabell 2 – Inspeksjons- og vedlikeholdslogg**

<b>Inspeksjonsdato:</b>		<b>Inspisert av:</b>	
<b>Komponent:</b>	<b>Inspeksjon:</b> (Se del 2 for <i>inspeksjonsintervall</i> )	<b>Bruker</b>	<b>Kvalifisert person</b>
Fallbrems (Figur 2)	Inspiser håndtaket (C) for bøyning, sprekker og misdannelser. Alle festeordninger må festes skikkelig. Bruk av håndtak og vaiersko må være uhindret og enkel. Fjæringer må være sikre og sterke nok til å kunne trykke ned håndtaket. Håndtaket fungerer også som falldemper og fallindikator. Håndtaket vil være deformert hvis det er blitt brukt for fallstans. Figur 11.3 viser et eksempel på et håndtak som ikke er blitt brukt for fallstans (A) og et håndtak som er blitt brukt til fallstans og som er deformert (B). Ikke bruk håndtaket hvis det har større deformering enn A = 12,7 mm (1/2 tomme). Fallbremsen må tas ut av bruk.	<input type="checkbox"/>	<input type="checkbox"/>
	Inspiser låsespaken (E) for å sjekke at det er enkelt å bruke den, og at den hopper tilbake i låst posisjon når man slipper den.	<input type="checkbox"/>	<input type="checkbox"/>
	Inspiser låsekammen (H) for slitasje. Bekreft at vaierskoen ikke er skadet.	<input type="checkbox"/>	<input type="checkbox"/>
	Inspiser låsekammen (H) ved å holde fallbremsen vertikalt med håndtaket (C) i oppreist stilling og ved å riste fallbremsen opp og ned for å simulere et fall. Vaierskoen skal bevege seg fritt.	<input type="checkbox"/>	<input type="checkbox"/>
	Inspiser låsekammen (H) ved å posisjonere fallbremsen horisontalt med håndtaket (C) i oppreist stilling, og plasser fallbremsen med baksiden på et flatt underlag med Lad-Saf X3-skiltet opp. Vaierskoen skal da rotere fritt til toppen av fallbremsen.	<input type="checkbox"/>	<input type="checkbox"/>
	Inspiser den roterende sideskivens funksjon (B) ved å trekke den tilbake for å forsøke å åpne vaiersporet. Den må ikke rotere. Dersom den roterer uten at låsespaken vris (E), må du ta fallbremsen ut av bruk.	<input type="checkbox"/>	<input type="checkbox"/>
	Sjekk hele enheten for tegn på korrosjon.	<input type="checkbox"/>	<input type="checkbox"/>
Øvre brakett (Figur 11.2)	Inspiser for riktig installasjon i.h.t. installasjonsveiledningen for Lad-Saf™-sikkerhetssystem med fleksibel vaier, 3M fallsikringshåndbok nr. 5908282 eller 5903435.	<input type="checkbox"/>	<input type="checkbox"/>
	Kontroller for synlige skader eller rust. Se etter sprekker, buktninger eller slitasje som kan virke inn på systemets styrke og funksjon. Inspiser sveiseskjøter. Sjekk sprekker eller brukket sveising som potensielt kunne påvirke styrken av braketten. Skift ut deler hvis defekter blir påvist.	<input type="checkbox"/>	<input type="checkbox"/>
	Sjekk for løse eller manglende festemidler som sikrer toppbraketten til innretningen (bolter, klemplater, vaierklemmer). Dersom det er løse festemidler, skru disse fast igjen hvis nødvendig for å møte de dreienivåene som er oppført under installasjonsinstruksjonene som fulgte med ditt Lad-Saf-sikkerhetssystem med fleksibel vaier.	<input type="checkbox"/>	<input type="checkbox"/>
	Inspiser topplaten for deformasjon. Mellomrommet skal være minimum 5 mm (0,2 tomme) ved A.	<input type="checkbox"/>	<input type="checkbox"/>
	Sørg for at både den store pinnen (B) og den lille pinnen er på plass. Kontroller at fjærporten (C) er på plass.	<input type="checkbox"/>	<input type="checkbox"/>
	Inspiser enkeltpunktforankringen (D) for skade eller tegn på slitasje. Inspiser festemiddelets dreiemoment. Kontroller at underlagsskiven har synlige merker.	<input type="checkbox"/>	<input type="checkbox"/>
Nedre brakett (Figur 11.1)	Inspiser for riktig installasjon i.h.t. installasjonsveiledningen for Lad-Saf™-sikkerhetssystem med fleksibel vaier, 3M fallsikringshåndbok nr. 5908282 eller 5903435.	<input type="checkbox"/>	<input type="checkbox"/>
	Sjekk for skader eller rust. Se etter sprekker, buktninger eller slitasje som kan virke inn på systemets styrke og funksjon. Skift ut deler hvis defekter blir påvist.	<input type="checkbox"/>	<input type="checkbox"/>
	Sjekk for løse eller manglende festemidler som sikrer nedre brakett til innretningen. Dersom det er løse festemidler, skru disse fast igjen hvis nødvendig for å møte dreienivåene som oppført under installasjonsinstruksjonene som fulgte med Lad-Saf-sikkerhetssystem med fleksibel vaier for stige.	<input type="checkbox"/>	<input type="checkbox"/>
	Inspiser spenningen på stangmontasjen. Pass på at salklemmene er trygt festet på vaieren. Kontroller dreiemomentet på salklemmene, stram til et moment på 47 Nm (35 ft-lb). Skift ut eller fest på nytt hvis feil blir oppdaget.	<input type="checkbox"/>	<input type="checkbox"/>

**Tabell 2 – Inspeksjons- og vedlikeholdslogg**

<b>Inspeksjonsdato:</b>		<b>Inspisert av:</b>	
<b>Komponent:</b>	<b>Inspeksjon:</b> <i>(Se del 2 for inspeksjonsintervall)</i>	<b>Bruker</b>	<b>Kvalifisert person</b>
Vaierføring (Figur 1)	Sjekk vaierføring for skader. Se etter slitasje eller skader på sort uretan. Vaierførerne bør holde kabelen tilbake og unngå vaierkontakt med stige/innretning. Vaierførerne skal plasseres ved ca. 6–12 m (20–40 ft.) langs bærevaiere, eller nærmere om nødvendig. Skift ut deler hvis defekter blir påvist.	<input type="checkbox"/>	<input type="checkbox"/>
	Sjekk vaierførerens festeanordninger. Festeanordningene skal sikre vaierføreren i posisjon. Stram som nødvendig.	<input type="checkbox"/>	<input type="checkbox"/>
Kabel (Figur 1)	Inspiser vaiere for rust, buktninger eller skader som vil ha påvirkning på styrken og hindre fallbremsen fra å bevege seg på vaiere. Hvis det finnes eventuelle hakk eller knekk i stigevaiere, må den kontrolleres av en kompetent person før bruk. Inspiser hele systemet for områder som gnisser mot stige eller innretningen forøvrig. Skift ut vaiere hvis feil blir oppdaget.	<input type="checkbox"/>	<input type="checkbox"/>
	Kontroller spenningen. Spor skal eksponeres over bunnmalen (se forklaringsboble E, figur 11.1). Det skal ikke være mulig å trekke spenningsstangen ned for hånd. Vaiere skal være stram nok til å hindre kontakt med stige/innretning. Stram til vaiere på nytt hvis nødvendig. Ikke stram til systemet for mye.	<input type="checkbox"/>	<input type="checkbox"/>
Etiketter (Figur 9)	Forsikre deg om at alle etikettene er på plass og er leselige.	<input type="checkbox"/>	<input type="checkbox"/>
PFAS og annet utstyr	Ekstra PFAS-utstyr (sele, SRD osv.) som brukes sammen med forankringssystemet skal monteres og inspiseres i henhold til produsentens instruksjoner.	<input type="checkbox"/>	<input type="checkbox"/>
Konstruksjon	Kontroller at strukturen som konstruksjonen er montert på, overholder styrkekravene som er oppgitt i tabell 1 for alle mulige belastningsretninger.	<input type="checkbox"/>	<input type="checkbox"/>

<b>Serienummer:</b>	<b>Kjøpsdato:</b>
<b>Modellnummer(e):</b>	<b>Dato for førstegangsbruk:</b>

<b>Korrigerende tiltak / vedlikehold:</b>	Godkjent av:	Neste inspeksjon innen:
	Dato:	
<b>Korrigerende tiltak / vedlikehold:</b>	Godkjent av:	Neste inspeksjon innen:
	Dato:	
<b>Korrigerende tiltak / vedlikehold:</b>	Godkjent av:	Neste inspeksjon innen:
	Dato:	
<b>Korrigerende tiltak / vedlikehold:</b>	Godkjent av:	Neste inspeksjon innen:
	Dato:	
<b>Korrigerende tiltak / vedlikehold:</b>	Godkjent av:	Neste inspeksjon innen:
	Dato:	
<b>Korrigerende tiltak / vedlikehold:</b>	Godkjent av:	Neste inspeksjon innen:
	Dato:	
<b>Korrigerende tiltak / vedlikehold:</b>	Godkjent av:	Neste inspeksjon innen:
	Dato:	
<b>Korrigerende tiltak / vedlikehold:</b>	Godkjent av:	Neste inspeksjon innen:
	Dato:	
<b>Korrigerende tiltak / vedlikehold:</b>	Godkjent av:	Neste inspeksjon innen:
	Dato:	
<b>Korrigerende tiltak / vedlikehold:</b>	Godkjent av:	Neste inspeksjon innen:
	Dato:	
<b>Korrigerende tiltak / vedlikehold:</b>	Godkjent av:	Neste inspeksjon innen:
	Dato:	

**Przed użyciem tego systemu wspinaczkowego (Vertical System) należy przeczytać, zrozumieć i przestrzegać wszystkich informacji dotyczących bezpieczeństwa zawartych w niniejszej instrukcji. ZIGNOROWANIE TEGO WYMAGANIA MOŻE SKUTKOWAĆ POWAŻNYMI URAZAMI CIAŁA LUB ŚMIERCIĄ.**

**Niniejszą instrukcję należy udostępnić użytkownikowi sprzętu. Instrukcję należy zachować do wykorzystania w przyszłości.**

## Przeznaczenie:

System wspinaczkowy stanowi część kompletnego indywidualnego systemu zabezpieczenia przed upadkiem.

Wykorzystanie systemu w jakimkolwiek innym celu, m.in. w celach rekreacyjnych, do przenoszenia ładunków lub podczas uprawiania sportu oraz we wszelkich innych celach nieopisanych w instrukcji użytkownika, nie jest zatwierdzone przez 3M i może skutkować poważnymi urazami ciała lub śmiercią.

Ten sprzęt może być wykorzystywany wyłącznie przez przeszkolonych użytkowników w miejscu pracy.

## OSTRZEŻENIE

System z linami giętkimi / sztywnymi poręczami stanowi część indywidualnego systemu zabezpieczenia przed upadkiem. Oczekujemy, że wszyscy użytkownicy zostaną w pełni przeszkoleni w zakresie bezpiecznego montażu i obsługi indywidualnego systemu zabezpieczenia przed upadkiem. **Nieprawidłowe użytkowanie tego sprzętu może prowadzić do poważnych urazów ciała lub śmierci.** Aby zapewnić prawidłowy dobór, obsługę, montaż, konserwację i serwis urządzenia, należy zapoznać się z niniejszą instrukcją użytkownika oraz wszystkimi zaleceniami producenta, skontaktować się z przełożonym lub serwisem technicznym firmy 3M.

- **Aby ograniczyć ryzyko związane z pracą z systemem z linami giętkimi / sztywnymi poręczami, które może skutkować poważnymi urazami ciała lub śmiercią:**
  - Należy sprawdzić wszystkie elementy systemu przed każdym użyciem, co najmniej raz w roku oraz po każdym zatrzymaniu upadku przez urządzenie. Dokonać przeglądu zgodnie z instrukcją użytkownika.
  - Jeżeli przegląd wykaże niebezpieczny lub wadliwy stan którejkolwiek części systemu, należy wycofać tę część z użytkowania i zutylizować ją.
  - Każdy system z linami giętkimi / sztywnymi poręczami, który został wykorzystany do zatrzymania upadku lub poddany większej sile, musi zostać niezwłocznie wycofany z użytkowania, a wszystkie jego części muszą zostać sprawdzone przez osobę kompetentną przed ponownym użyciem.
  - Nie wolno korzystać z systemu podczas jego montażu.
  - Należy upewnić się, że system jest przystosowany do danej liczby jego równoczesnych użytkowników.
  - Po rozpakowaniu lina może rozwinąć się gwałtownie. Podczas rozpakowywania liny należy zastosować właściwe procedury bezpieczeństwa oraz korzystać z odpowiedniego sprzętu ochrony osobistej.
  - Do przypięcia uprząży należy korzystać wyłącznie z zatwierdzonych łączników. Nie wolno stosować żadnych dodatkowych urządzeń łączących.
  - Należy używać tylko liny określonej i zatwierdzonej w instrukcji użytkownika.
  - Nie wolno w żaden sposób blokować działania mechanizmu zaczepu/tulei. Urządzeniem należy posługiwać się tylko do przyłączenia do i odłączenia od systemu.
  - Podczas wspinaczki należy zachować zawsze trzy punkty kontaktu. Należy zapoznać się z informacjami na temat prawidłowej techniki wspinaczkowej znajdującymi się w instrukcji użytkownika.
  - Należy upewnić się, że systemy zabezpieczenia przed upadkiem / zintegrowane podsystemy, złożone z komponentów pochodzących od różnych producentów, są kompatybilne i spełniają wymagania obowiązujących norm, w tym normy ANSI Z359 lub innych obowiązujących przepisów, norm i wymagań dotyczących ochrony przed upadkiem. Przed użyciem tych systemów należy zawsze skonsultować się z osobą kompetentną i/lub osobą wykwalifikowaną.
- **Aby ograniczyć ryzyko związane z pracą na wysokości, które może skutkować poważnymi urazami ciała lub śmiercią:**
  - Należy upewnić się, że warunki fizyczne i zdrowotne pracownika umożliwiają bezpieczne znoszenie wszelkich sił oddziałujących w przypadku pracy na wysokości. W przypadku pytań dotyczących korzystania z tego sprzętu należy skonsultować się z lekarzem.
  - Nigdy nie wolno przekraczać dopuszczalnego udźwigu sprzętu zabezpieczającego przed upadkiem.
  - Nigdy nie wolno przekraczać maksymalnego dystansu swobodnego upadku danego sprzętu zabezpieczającego przed upadkiem.
  - Nie wolno używać sprzętu zabezpieczającego przed upadkiem, który nie przeszedł pomyślnie przeglądu okresowego lub przed oddaniem go do użytku albo jeśli użytkownik ma wątpliwości dotyczące korzystania lub przydatności sprzętu w danym zastosowaniu. W razie pytań należy kontaktować się z działem pomocy technicznej firmy 3M.
  - Niektóre połączenia podsystemów i elementów mogą niekorzystnie wpływać na działanie tego sprzętu. Stosować wyłącznie zgodne rodzaje połączeń. Przed zastosowaniem tego sprzętu w połączeniu z elementami lub podsystemami innymi niż opisane w instrukcji obsługi należy skonsultować się z firmą 3M.
  - Stosuj zwiększone środki ostrożności podczas pracy w pobliżu ruchomego sprzętu (np. górnych napędów wiertnic), źródeł zagrożeń elektrycznych, skrajnych temperatur, zagrożeń chemicznych, zagrożenia wybuchem oraz toksycznych gazów, ostrych krawędzi oraz pod obiektami znajdującymi się nad użytkownikiem, które mogą spaść na użytkownika lub na sprzęt zabezpieczający przed upadkiem.
  - W przypadku wykonywania prac w miejscach, w których występują wysokie temperatury, należy używać urządzeń z łukiem elektrycznym lub do prac gorących.
  - Należy unikać powierzchni i obiektów, które mogą spowodować urazy ciała użytkownika lub uszkodzenie sprzętu.
  - Należy zapewnić wystarczającą wolną przestrzeń do upadku podczas prowadzenia prac na wysokościach.
  - Nigdy nie wolno modyfikować ani przerabiać sprzętu zabezpieczającego przed upadkiem. Sprzęt może być naprawiany tylko przez firmę 3M lub podmioty upoważnione przez nią na piśmie.
  - Przed użyciem sprzętu zabezpieczającego przed upadkiem należy upewnić się, że obowiązują odpowiednie procedury ratownicze zapewniające podjęcie odpowiednich działań ratowniczych w razie upadku.
  - Jeśli dojdzie do upadku, osobie poszkodowanej należy natychmiast zapewnić pomoc medyczną.
  - W przypadku zastosowań związanych z zabezpieczeniem przed upadkiem nie stosować pasów asekuracyjnych na całe ciało. Należy używać wyłącznie pełnej uprząży.
  - Należy minimalizować zagrożenie upadkiem w wyniku zakotwienia, pracując tak blisko punktu kotwienia, jak to tylko możliwe.
  - Podczas czynności szkoleniowych związanych z tym urządzeniem konieczne jest stosowanie pomocniczego systemu zabezpieczenia przed upadkiem, aby nie narazić szkolonego pracownika na ryzyko upadku.
  - Zawsze należy używać odpowiednich środków ochrony indywidualnej podczas montażu, użytkowania lub przeprowadzania przeglądu sprzętu/systemu.

Przed przystąpieniem do montażu i użytkowania sprzętu należy zapisać dane produktu zawarte na etykiecie identyfikacyjnej w dzienniku przeglądów i konserwacji (tabela 2) zamieszczonym na końcu niniejszej instrukcji.

Należy zawsze pamiętać, aby korzystać z najnowszej wersji instrukcji obsługi firmy 3M. Zaktualizowane instrukcje obsługi można uzyskać na stronie internetowej firmy 3M lub kontaktując się z działem technicznym firmy 3M.

### OPIS PRODUKTU:

Rysunek 1 przedstawia system zabezpieczeń do pracy na drabinach 3M™ DBI-SALA® Lad-Saf™. System zabezpieczeń do pracy na drabinach Lad-Saf jest przeznaczony do ochrony pracownika w razie upadku z drabiny stałej lub podobnej konstrukcji służącej do wchodzenia na wysokość. System Lad-Saf składa się ze wspornika górnego, linki stalowej, tulei linowej, prowadnicy liny, metki systemu i wspornika dolnego. Wspornik górny (A) jest przymocowany u góry drabiny i zakotwicza linę (B) w koordynacji ze wspornikiem dolnym (F) przymocowanym u dołu drabiny. Tuleja linowa (C) przesuwana się w górę i w dół liny wraz z użytkownikiem i jest mocowana do przedniej klamry typu D uprząży użytkownika. Prowadnica liny (D) zapewnia, że lina pozostaje na swoim miejscu. Metka systemu (E) ukazuje ważne informacje dotyczące bezpieczeństwa i powinna zostać umieszczona na systemie lub w pobliżu. Metkę systemu pokazano z oznaczeniem „E” na Rysunku 10.

Rysunek 2 przedstawia elementy tulei linowej Lad-Saf X3. Tuleja linowa składa się z górnego krążka, obrotowej płyty bocznej, uchwytu, korpusu tulei, dźwigni blokującej, dolnego krążka, karabińczyka i krzywki blokującej. Górny krążek (A) mocuje tuleję linową do liny w koordynacji z dolnym krążkiem (F). Obrotowa płyta boczna (B) i uchwyt (C) otwierają się, aby umożliwić umieszczenie tulei linowej na linie. Korpus tulei (D) stanowi główny element tulei linowej. Dźwignia blokująca (E) blokuje tuleję linową i zapobiega przypadkowemu otwarciu urządzenia. Krzywka blokująca (H) utrzymuje tuleję linową na miejscu po zablokowaniu. Karabińczyk (G) jest mocowany do przedniej klamry typu D uprząży użytkownika.

Dane techniczne elementów pionowego systemu zabezpieczeń z tuleją zabezpieczającą liny pionowe Lad-Saf X3 znajdują się w tabeli 1.

**Tabela 1 – Dane techniczne**

Dane techniczne systemu:				
<b>Montaż systemu:</b>	<b>Instrukcje montażu</b>	<b>Rodzaj systemu</b>	<b>Opis systemu</b>	
	5908282	Pionowy	System zabezpieczeń z linami giętkimi Lad-Saf	
	5903435	Pionowy	System zabezpieczeń z linami giętkimi Lad-Saf™ z obracaną klamrą typu D	
<b>Tuleja linowa Lad-Saf:</b>	<b>Nr pozycji</b>	<b>Siła aktywująca</b>	<b>Maksymalna długość rozwinięcia</b>	<b>Minimalna wytrzymałość na zerwanie</b>
	6160054	2,0 kN (450 lb)	102 mm (4,0 cala)	16 kN (3600 lb)
<b>Nośność:</b>	Łączna waga każdego z użytkowników (z ubraniem, narzędziami itp.) musi wynosić od 40 kg do 140 kg (od 88 lb do 310 lb). Z systemu Lad-Saf może korzystać jednocześnie do czterech użytkowników, ale do każdej tulei zabezpieczającej liny pionowe Lad-Saf X3 może być przypięty tylko jeden użytkownik. W przypadku dodatkowych użytkowników należy użyć dodatkowych tulei linowych.			
<b>Wymagania dotyczące punktów kotwiczenia:</b>	<b>Liczba użytkowników</b>	<b>Wytrzymałość punktu kotwiczenia</b>	<b>Liczba użytkowników</b>	<b>Wytrzymałość punktu kotwiczenia</b>
	1	12 kN (2700 lb)	3	17,5 kN (3940 lb)
	2	14,8 kN (3320 lb)	4	20,3 kN (4560 lb)
<b>Temperatura robocza:</b>	od -40°C do 60°C (od -40°F do 140°F)			
<b>Normy:</b>	Pionowy system zabezpieczeń z tuleją zabezpieczającą liny pionowe Lad-Saf X3 przetestowano zgodnie z normami określonymi na przedniej okładce niniejszej instrukcji obsługi.			
<b>Dane techniczne liny:</b>	Tuleję linową Lad-Saf X3 można stosować tylko z liną z pełnym rdzeniem o średnicy 9,5 mm (3/8 cala). Używanie z innymi linami jest zabronione i może prowadzić do poważnych urazów ciała lub śmierci.			
	<b>Nr pozycji</b>	<b>Opis</b>	<b>Materiał</b>	<b>Minimalna wytrzymałość na zerwanie</b>
	6104XXX / CE 6134XXX	9,5 mm (3/8 cala), 1 x 7	Stal ocynkowana	68,4 kN (15 400 lb)
	6105XXX / CE 6135XXX	9,5 mm (3/8 cala), 1 x 7	Stal nierdzewna	80 kN (18 000 lb)
	6106XXX / CE 6136XXX	9,5 mm (3/8 cala), 7 x 19	Stal ocynkowana	64 kN (14 400 lb)
6107XXX / CE 6137XXX	9,5 mm (3/8 cala), 7 x 19	Stal nierdzewna	53,3 kN (12 000 lb)	
			<b>Masa</b>	
				0,41 kg / m (0,27 lb/ft)
				0,41 kg / m (0,27 lb/ft)
				0,41 kg / m (0,27 lb/ft)
				0,41 kg / m (0,27 lb/ft)

**Tabela 1 – Dane techniczne**

**Dane techniczne elementów:**

**System zabezpieczeń do pracy na drabinach Lad-Saf:**

Oznaczenia na Rysunku 1	Element	Materiały
Ⓐ	Wspornik górny	Stal ocynkowana lub stal nierdzewna
Ⓑ	Lina	Stal ocynkowana lub stal nierdzewna
Ⓒ	Tuleja linowa	Stal nierdzewna
Ⓓ	Prowadnica liny	Uretan
Ⓔ	Metka systemu	Stal nierdzewna
Ⓕ	Wspornik dolny	Stal ocynkowana lub stal nierdzewna

**Tuleja linowa Lad-Saf:**

Oznaczenia na Rysunku 2	Element	Materiały
Ⓐ	Górny krążek	Nylon
Ⓑ	Obrotowa płyta boczna	Stal nierdzewna
Ⓒ	Dźwignia	Stal nierdzewna
Ⓓ	Korpus tulei	Stal nierdzewna
Ⓔ	Dźwignia blokująca	Stal nierdzewna
Ⓕ	Dolny krążek	Nylon
Ⓖ	Karabińczyk	Stal ocynkowana
Ⓗ	Krzywka blokująca	Stal nierdzewna

## 1.0 ZASTOSOWANIE PRODUKTU

- 1.1 PRZEZNACZENIE:** System zabezpieczeń do pracy na drabinach Lad-Saf™ stanowi część indywidualnego systemu zabezpieczenia przed upadkiem. System zabezpieczeń do pracy na drabinach Lad-Saf stosowany wraz z odłączaną tuleją linową Lad-Saf™ jest przeznaczony do ochrony pracownika w razie upadku z drabiny stałej lub podobnej konstrukcji służącej do wchodzenia na wysokość.

**Tylko zabezpieczenie przed upadkiem:** Nie należy używać systemu zabezpieczeń do pracy na drabinach Lad-Saf do celów innych niż zahamowanie upadku.

- 1.2 NORMY:** System zabezpieczeń do pracy na drabinach spełnia wymagania krajowych i regionalnych norm podanych na okładce niniejszej instrukcji. Jeżeli ten produkt zostanie odsprzedany poza obszarem pierwotnego kraju przeznaczenia, odsprzedawca powinien dostarczyć niniejszą instrukcję w języku używanym w kraju użytkownika tego produktu.
- 1.3 NADZÓR:** Korzystanie z systemu zabezpieczeń do pracy na drabinach Lad-Saf musi być nadzorowane przez osobę kompetentną<sup>1</sup>. Montaż systemu zabezpieczeń do pracy na drabinach Lad-Saf musi nadzorować osoba wykwalifikowana<sup>2</sup>.
- 1.4 SZKOLENIE:** System zabezpieczeń do pracy na drabinach Lad-Saf musi być montowany i użytkowany przez osoby przeszkolone w zakresie jego prawidłowego stosowania. Niniejsza instrukcja służy do stosowania w ramach programu szkolenia pracowników zgodnie z wymaganiami norm krajowych, regionalnych lub lokalnych. Instalatorzy tego urządzenia mają obowiązek upewnić się, że znają niniejszą instrukcję oraz że są przeszkoleni w zakresie prawidłowego utrzymania i użytkowania urządzenia oraz mają świadomość charakterystyki działania, ograniczeń zastosowania oraz skutków niewłaściwego użycia tego urządzenia.
- 1.5 PLAN RATUNKOWY:** Podczas korzystania z tego urządzenia i podsystemów łączących pracodawca musi dysponować planem ratunkowym i środkami niezbędnymi do wdrożenia go oraz musi przekazać ten plan użytkownikom, osobom upoważnionym<sup>3</sup> i ratownikom<sup>4</sup>. Zalecane jest utworzenie przeszkolonego zespołu ratowniczego na miejscu. Członkowie zespołu powinni mieć wyposażenie oraz znać techniki niezbędne do przeprowadzenia pomyślnej akcji ratunkowej. Wymagane jest okresowe przeprowadzanie szkolenia w celu zapewnienia kompetencji ratowników.
- 1.6 CZĘSTOTLIWOŚĆ PRZEGLĄDÓW:** System zabezpieczeń do pracy na drabinach musi zostać sprawdzony przez użytkownika przed każdym użyciem, a ponadto co najmniej raz na rok musi przejść przegląd przeprowadzany przez osobę kompetentną inną niż użytkownik.<sup>5</sup> Procedury przeglądu opisano w części „Dziennik przeglądów i konserwacji”. Wyniki każdego przeglądu przeprowadzanego przez osobę kompetentną należy zapisywać na kopii *Dziennika przeglądów i konserwacji*.
- 1.7 PO UPADKU:** Jeśli system Lad-Saf zostanie poddany działaniu sił hamujących upadek, należy go natychmiast wycofać z eksploatacji i umieścić na nim wyraźne oznaczenie „NIE UŻYWAĆ”. System zabezpieczeń z tuleją zabezpieczającą liny Lad-Saf należy następnie zniszczyć lub wysłać do firmy 3M w celu wymiany.

## 2.0 WYMAGANIA DOTYCZĄCE SYSTEMU

- 2.1 PUNKT KOTWICZENIA:** Wymagania dotyczące punktu kotwiczenia różnią się zależnie od zastosowania zabezpieczeń przed upadkiem. Konstrukcja, na której system zabezpieczeń do pracy na drabinach jest umieszczony i zamocowany, musi spełniać wymogi specyfikacji punktu kotwiczenia określonego w tabeli 1.
- 2.2 ZAGROŻENIA:** Korzystanie z tego sprzętu w miejscach, w których występują zagrożenia dla środowiska, może wymagać dodatkowych środków ostrożności w celu zmniejszenia ryzyka odniesienia obrażeń przez użytkowników lub uszkodzenia sprzętu. Zagrożenia mogą obejmować między innymi: wysoką temperaturę, substancje chemiczne, środowiska powodujące korozję, linie wysokiego napięcia, wybuchowe lub toksyczne gazy, maszyny w ruchu, ostre krawędzie lub materiały znajdujące się u góry, które mogą spaść i zetknąć się z użytkownikiem lub indywidualnym systemem zabezpieczenia przed upadkiem.
- 2.3 ZGODNOŚĆ Z SYSTEMAMI WSPOMAGAJĄCYMI WSPINANIE SIĘ:** Z systemami zabezpieczenia przed upadkiem podczas wchodzenia na drabinę (CLFAS) firmy 3M nie należy używać zasilanych systemów wspomagających wspinanie się (PCA). Dotyczy to systemu pionowej liny asekuracyjnej Lad-Saf oraz odłączanych tulei linowych Lad-Saf X2, X3 lub X3+, chyba że firma 3M zweryfikowała system typu PCA jako zgodny z systemami typu CLFAS firmy 3M. Nieprzestrzeżenie tego ostrzeżenia może spowodować, że upadek użytkownika z wysokości nie zostanie bezpiecznie zahamowany podczas korzystania z niezgodnych systemów PCA i CLFAS. W razie pytań należy kontaktować się z działem pomocy technicznej firmy 3M pod adresem 3MFallProtectionTech@mmm.com.

**Korzystanie z systemów wspomagających wspinanie się niezgodnych z systemami pionowymi 3M może spowodować poważne obrażenia lub śmierć.**

- 2.4 KOMPATYBILNOŚĆ ELEMENTÓW:** Sprzęt 3M został zaprojektowany wyłącznie do użytku z zatwierdzonymi elementami i podsystemami 3M. Zastępowanie lub wymienianie elementów lub podsystemów na takie, które nie zostały zatwierdzone, może zagrażać kompatybilności sprzętu i wpływać na bezpieczeństwo oraz niezawodność systemu jako całości.

**1 Osoba kompetentna:** osoba, która potrafi rozpoznać istniejące i możliwe do przewidzenia zagrożenia w otoczeniu lub niehigieniczne, niebezpieczne albo stwarzające zagrożenie dla pracowników warunki pracy i która jest równocześnie upoważniona do podejmowania szybkich działań naprawczych w celu wyeliminowania takich warunków.

**2 Osoba wykwalifikowana:** osoba z uznanym stopniem naukowym, certyfikatem lub doświadczeniem zawodowym, lub która — dzięki szerokiej wiedzy, przeszkoleniu i doświadczeniu — z powodzeniem wykazała się zdolnością do rozwiązywania problemów związanych z systemami zabezpieczenia przed upadkiem i systemami ratowniczymi w zakresie wymaganym przez normy OSHA lub inne odpowiednie przepisy federalne, stanowe i lokalne.

**3 Osoba upoważniona:** osoba wyznaczona przez pracodawcę do wykonywania obowiązków w miejscu, w którym pracownicy są narażeni na zagrożenie upadkiem.

**4 Ratownik:** osoba lub osoby inne niż osoba ratowana, podejmujące działania w celu przeprowadzenia wspólnej akcji ratunkowej z użyciem systemu ratowniczego.

**5 Częstotliwość przeglądów:** Ekstremalne warunki (trudne warunki pracy, długi czas użycia itd.) mogą wymagać zwiększenia częstotliwości przeglądów przeprowadzanych przez osobę kompetentną.



**2.5 KOMPATYBILNOŚĆ ŁĄCZNIKÓW:** Łączniki są uważane za kompatybilne z elementami łączącymi, jeśli zostały zaprojektowane do współpracy z nimi w taki sposób, że ich rozmiary i kształty nie powodują niezamierzonego otwierania mechanizmów zamknięć, bez względu na ich ustawienie. W razie pytań dotyczących kompatybilności należy skontaktować się z firmą 3M.

Łączniki (haki, karabińczyki i klamry typu D) muszą zapewnić utrzymanie siły co najmniej 22,2 kN (5000 lb). Łączniki muszą być kompatybilne z punktem kotwiczenia i innymi elementami systemu. Nie wolno używać niekompatybilnego sprzętu. Niekompatybilne łączniki mogą się rozłączyć w sposób niezamierzony (patrz Rysunek 4). Łączniki muszą być zgodne pod względem wielkości, kształtu i wytrzymałości. Jeżeli element łączący, do którego przypięty jest karabińczyk hakowy lub karabińczyk, ma zbyt małe wymiary lub nieregularny kształt, może dojść do sytuacji, w której element łączący będzie oddziaływał siłą na zamknięcie karabińczyka lub karabińczyka hakowego (A). Ta siła może spowodować otwarcie zamknięcia (B), co doprowadzi do odłączenia karabińczyka lub karabińczyka hakowego od punktu zaczepienia (C).

Na podstawie norm ANSI Z359 i OSHA wymagane są samozatraskowe karabińczyki hakowe lub karabińczyki.

**2.6 TWORZENIE POŁĄCZEŃ:** Karabińczyki hakowe i karabińczyki wykorzystywane z tym urządzeniem muszą być samozatraskowe. Należy zadbać o to, by wszystkie połączenia były kompatybilne pod względem rozmiaru, kształtu i wytrzymałości. Nie wolno używać niekompatybilnego sprzętu. Należy upewnić się, że wszystkie łączniki są całkowicie zamknięte i zablokowane.

Łączniki 3M (karabińczyki hakowe i karabińczyki) zostały zaprojektowane do użytku wyłącznie w sposób określony w instrukcjach obsługi poszczególnych produktów. Przykłady niewłaściwych połączeń pokazano na Rysunku 5. Karabińczyków hakowych i karabińczyków nie należy podłączać:

- A. Do klamer typu D, do których przypięto już inny łącznik.
- B. W sposób, który może przyczynić się do obciążenia zamknięcia. Nie należy przypinać karabińczyków hakowych o dużych rozmiarach zatrzasku do klamer typu D o standardowym rozmiarze ani do innych podobnych przedmiotów, ponieważ może to spowodować obciążenie zatrzasku, gdy karabińczyk lub klamra typu D skręci się lub obróci, chyba że karabińczyk hakowy jest wyposażony w zatrzask odporny na działanie siły o wartości 16 kN (3600 lb). Należy sprawdzić oznaczenie karabińczyka hakowego, aby upewnić się, czy można go użyć w przypadku danego zastosowania.
- C. W sposób pozorny, gdy do punktu kotwiczenia przyłączone zostają elementy wystające z karabińczyka hakowego lub karabińczyka, który bez wizualnych oględzin wydaje się całkowicie przytwierdzony do tego punktu.
- D. Do siebie nawzajem.
- E. Bezpośrednio do linki bezpieczeństwa w formie taśmy lub linki albo do kotwiczącej linki bezpieczeństwa (chyba że w instrukcjach dostarczonych przez producenta linki bezpieczeństwa i łącznika wyraźnie dopuszczono takie połączenie).
- F. Do żadnego obiektu, którego kształt lub wymiary uniemożliwiają zamknięcie i zablokowanie karabińczyka hakowego lub karabińczyka albo mogą spowodować jego wysunięcie.
- G. W sposób, który nie pozwala na właściwe ułożenie łącznika pod obciążeniem.



### 3.0 MONTAŻ

Więcej informacji na temat procedur montażu systemu Lad-Saf można znaleźć w instrukcji montażu produktu. Więcej informacji można uzyskać w instrukcji nr 5908282 lub 5903435.

**3.1 PLANOWANIE:** Przed rozpoczęciem pracy zaplanuj zastosowanie systemu zabezpieczeń do pracy na drabinach Lad-Saf. Należy uwzględnić wszystkie czynniki, które mogą wpłynąć na bezpieczeństwo przed upadkiem, podczas i po upadku. Należy uwzględnić wszystkie wymagania, ograniczenia i specyfikacje zdefiniowane w punkcie 2 i tabeli 1.

- Upewnij się, że system jest przystosowany do wymaganej liczby użytkowników.
- Przyłączanie i rozłączanie systemu jest związane z pewnymi zagrożeniami. Zastosuj drugie zabezpieczenie przed upadkiem. Zapewnij odpowiednie punkty kotwiczenia, podesty lub inne środki dostępne przy podłączaniu i rozłączaniu punktów, aby umożliwić bezpieczne przechodzenie do i z systemu.
- Minimalna wolna przestrzeń podczas upadku wynosząca 2,0 m (7,0 ft) jest wymagana między nogami użytkownika a powierzchnią poniżej. Użytkownik może nie być chroniony przed uderzeniem o ziemię lub lądowaniem w obszarze pierwszych 2,0 m (7,0 ft) przy wchodzeniu na górę lub ostatnich 2,0 m (7,0 ft) przy schodzeniu w dół. Przestrzegaj odpowiednich procedur wchodzenia (np. zachowuj trzy punkty styku za pomocą rąk i stóp), gdy wchodzisz lub schodzisz po jakimkolwiek odcinku drabiny bez zabezpieczenia systemem Lad-Saf™.
- Przestrzegaj odpowiednich procedur bezpieczeństwa podczas chodzenia po drabinach. Nie przenoś narzędzi ani sprzętu w ręce. Miej wolne ręce do poruszania się po drabinie. Zabezpiecz przenoszone przedmioty przed spadnięciem na osoby znajdujące się poniżej. Poruszaj się po drabinie w zasięgu swoich możliwości. Długie poruszanie się po drabinie może wymagać kilku postojów w trakcie wchodzenia lub schodzenia, po to, aby uniknąć nadmiernego zmęczenia. Korzystaj z odpowiedniego sprzętu do ustawiania pozycji na odpoczynek w czasie przerw. **Nie** poruszaj się po drabinie przy silnym wietrze lub niesprzyjającej pogodzie.
- Upewnij się, że tylko jeden użytkownik znajduje się pomiędzy prowadnicami lin.

**3.2 PODŁĄCZANIE TULEI LINOWEJ DO LINY NOŚNEJ:** Tuleja zabezpieczająca liny pionowe Lad-Saf X3 musi być podłączona do systemu zabezpieczeń do pracy na drabinach 3M Lad-Saf, aby można było jej użyć. Więcej informacji podano na Rysunku 7. Podłączanie tulei linowej Lad-Saf X3 do liny nośnej systemu Lad-Saf:

1. **Umieść tuleję tak, by strzałka „w górę” na tulei (I) wskazywała kierunek górny.**
2. **Obróć dźwignię blokującą (E) do pozycji odblokowanej.** Rysunek 3 przedstawia zamkniętą (A) i otwartą (B) pozycję dźwigni blokującej. Dźwignie blokujące znajdują się po obu stronach odłączanej tulei linowej, co pozwala na jej na obsługę z lewej lub prawej strony.
3. **Przesuń obrotową płytę boczną (B) do jak najdalszego położenia.** Gdy obrotowa płyta boczna znajdzie się w jak najdalszym położeniu, wówczas można zwolnić dźwignię blokującą (E). Krzywka blokująca (H) będzie w pełni otwarta.
4. **Obróć uchwyt (C) do pełnej pozycji pionowej.** Pozwoli to na usunięcie krzywki blokującej w celu zamontowania tulei na linie.
5. **Trzymaj tuleję w pozycji pionowej i włóż linę (J) do gniazda z boku tulei ruchem podnoszącym do góry.** Ułóż linę we wgłębieniu tulei. Zwolnij uchwyt (C), obrotową płytę boczną (B) i dźwignię blokującą (E) w celu zablokowania tulei na linie. **Przed użyciem upewnij się, że dźwignia blokująca (E) znajduje się w pozycji zamkniętej.**

**3.3 PODŁĄCZANIE TULEI LINOWEJ DO UPRZEŻY:** Podłączenie tulei linowej do pełnej upręży można wykonać przed lub po zamontowaniu tulei linowej na systemie Lad-Saf. Dodatkowy system zabezpieczenia przed upadkiem jest zalecany podczas podłączania do lub odłączania od systemu Lad-Saf. Manipulacja tuleją podczas wchodzenia lub schodzenia po drabinie naraża użytkownika na ryzyko upadku. Kąt odchylenia systemu Lad-Saf od pionu przez cały czas użytkowania nie może przekraczać 15°.

Nie należy stosować innych urządzeń łączących ani łączyć urządzeń (np. linki bezpieczeństwa) z łącznikiem dostarczonym wraz z tuleją linową. Należy zawsze używać karabińczyka dostarczonego razem z tuleją linową. Nie używać innych łączników.

- **WCHODZENIE DO GÓRY:** Wchodząc po konstrukcji, zachowuj przez cały czas trzy punkty styku (za pomocą rąk i stóp). Odłączana tuleja linowa Lad-Saf X3 będzie się poruszała za użytkownikiem. Lina nośna jest odczepiana z prowadnic lin w momencie ich napotkania. **Nie należy chwytać ani usuwać tulei z liny nośnej podczas przechodzenia obok prowadnic liny lub gdy tuleja się zablokuje.**
- **SCHODZENIE W DÓŁ:** Schodząc spokojnie po konstrukcji, zachowuj przez cały czas trzy punkty styku (za pomocą rąk i stóp). Pozwól, by odłączana tuleja linowa Lad-Saf X3 „prowadziła” użytkownika. Schodzenie w niewłaściwej pozycji (np. odchylając się nadmiernie do tyłu lub chaotycznie wchodząc w górę) może spowodować, że tuleja zablokuje się na linie nośnej. Jeżeli dojdzie do zablokowania tulei, należy delikatnie przesunąć się w górę, aby zwolnić tuleję i kontynuować schodzenie z konstrukcji. Podłącz ponownie linę nośną do prowadnic liny po minięciu każdej kolejnej prowadnicy. **Nie należy chwytać ani usuwać tulei z liny nośnej podczas przechodzenia obok prowadnic liny lub gdy tuleja się zablokuje.**
- **ODŁĄCZANIE:** Po wejściu na wymaganą wysokość należy odłączyć tuleję linową od systemu. Informacje o elementach, patrz Rysunek 2.
  1. Zdejmij tuleję z liny, obracając dźwignię blokującą (E).
  2. Przesuń płytę boczną (B) i obróć uchwyt (C) do pełnej pozycji pionowej.
  3. Można teraz odciąć tuleję od liny i przechować zgodnie z instrukcjami.

## 4.0 SPOSÓB UŻYCIA

- 4.1 PRZED KAŻDYM UŻYCIEM:** Sprawdzić, czy obszar roboczy oraz indywidualny system zabezpieczenia przed upadkiem (PFAS) spełniają wszystkie kryteria określone w punkcie 2 oraz czy istnieje formalny plan ratunkowy. Należy skontrolować system Lad-Saf według punktów kontrolnych *użytkownika* określonych w *Dzienniku przeglądów i konserwacji* (tabela 2). Nie używać systemu, jeżeli w wyniku przeglądu okaże się, że jest wadliwy lub nie zapewnia bezpiecznej pracy. Należy natychmiast wycofać system z eksploatacji i umieścić na nim wyraźne oznaczenie „NIE UŻYWAĆ”. Pionowy system zabezpieczeń z tuleją zabezpieczającą liny pionowe Lad-Saf należy następnie zniszczyć lub wysłać do firmy 3M w celu wymiany.
- 4.2 POŁĄCZENIA SYSTEMU:** Z systemem Lad-Saf należy stosować pełną uprząż. Pełna uprząż musi być zgodna z normą ANSI 2359.11, CSA Z259.10, EN 361 lub inną obowiązującą normą krajową, regionalną lub lokalną. Informacje o prawidłowym sposobie dopasowania pełnej uprząży można znaleźć w instrukcji producenta. Aby połączyć system z pełną uprzążą, podłącz karabińczyk systemu Lad-Saf do przedniej klamry typu D (A) uprząży. Używanie jakiegokolwiek innego łącznika lub innej klamry typu D na pełnej uprząży jest zabronione.

Normy OSHA 1910.29 oraz OSHA 1926.1053 określają, że długość połączenia pomiędzy urządzeniem nośnym oraz punktem zaczepienia nie może przekraczać 23 cm (9 cali).

## 5.0 PRZEGLĄD

- 5.1 CZĘSTOTLIWOŚĆ PRZEGLĄDÓW:** System Lad-Saf należy kontrolować w odstępach czasu określonych w punkcie 1. Procedury przeglądu opisano w części *Dziennik przeglądów i konserwacji* (tabela 2). Należy skontrolować wszystkie inne elementy systemu zabezpieczenia przed upadkiem zgodnie z częstotliwościami oraz procedurami podanymi w instrukcjach producentów.
- 5.2 WADY:** Jeśli przegląd wykaże, że system Lad-Saf jest wadliwy lub nie zapewnia bezpiecznej pracy, bądź jeśli pojawiają się jakiegokolwiek wątpliwości co do jego stanu, należy go natychmiast wycofać z eksploatacji i umieścić na nim wyraźne oznaczenie „NIE UŻYWAĆ”. Pionowy system zabezpieczeń z tuleją zabezpieczającą liny pionowe Lad-Saf należy następnie zniszczyć lub wysłać do firmy 3M w celu wymiany. Nie należy próbować samemu naprawiać systemu.
- 5.3 TRWAŁOŚĆ PRODUKTU:** Okres eksploatacji systemu Lad-Saf jest zależny od warunków roboczych i konserwacji. Produkt ten może pozostać w eksploatacji tak długo, jak długo spełnia kryteria przeglądu.

## 6.0 KONSERWACJA, NAPRAWY, PRZECHOWYWANIE


- 6.1 CZYSZCZENIE SYSTEMU:** Zagadnienia dotyczące konserwacji związane z przeglądem, patrz punkt 5.0. W przypadku nadmiernego zanieczyszczenia liny nośnej olejem, smarem, farbą lub innymi substancjami, należy oczyścić ją ciepłą wodą z mydłem. Wytrzeć linę czystą, suchą szmatką. Nie suszyć z użyciem gorącego powietrza. Nie używać kwasów ani innych żrących chemikaliów, które mogą uszkodzić linę.

Dodatkowa konserwacja oraz procedury serwisowe muszą być wykonywane przez centrum serwisowe autoryzowane przez producenta. Autoryzacja musi być wydana w formie pisemnej.

- 6.2 CZYSZCZENIE TULEI LINOWEJ:** Zabrudzoną tuleję zabezpieczającą liny pionowe Lad-Saf X3 można czyścić, stosując następującą procedurę:
1. Zmieszaj ciepłą wodę z łagodnym roztworem czyszczącym (np. Simple Green lub podobny roztwór) w stosunku 4:1.
  2. Zanurz całą tuleję linową w zmieszonym roztworze i pozostaw na 2–3 godziny.
  3. Wyjmij tuleję linową z roztworu i płucz ciepłą wodą przez co najmniej 1 minutę. Upewnij się, że wszelkie pozostałe zanieczyszczenia zostały usunięte.
  4. Przed ponownym użyciem tulei linowej pozostaw ją do wyschnięcia przez 24 godziny. Dopuszczalne jest suszenie chłodnym powietrzem za pomocą wentylatora.
  5. Więcej informacji, patrz Rysunek 2. Nanieś niewielką ilość smaru na punkty obrotowe (E) lub u podstawy płyty bocznej (B).
  6. Przeprowadź przegląd przed użyciem zgodnie z opisem w punkcie 5.3. Potwierdź, że wewnątrz tulei linowej nie ma żadnych zanieczyszczeń, które mogłyby mieć wpływ na jej działanie.
- 6.3 PRZECHOWYWANIE I TRANSPORT:** Tuleję zabezpieczającą liny pionowe Lad-Saf X3 należy przechowywać w chłodnym, suchym i czystym miejscu, z dala od bezpośredniego działania promieni słonecznych. Unikać miejsc, gdzie mogą występować opary substancji chemicznych. Dokładnie skontrolować tuleję po dłuższym okresie przechowywania. Tuleję linową Lad-Saf należy przewozić w opakowaniu, aby zabezpieczyć ją przed pocięciem, wilgocią i działaniem promieniowania ultrafioletowego. Należy unikać warunków sprzyjających korozji oraz temperatur, które są zbyt wysokie lub zbyt niskie.
- 6.4 NAPRAWA:** Niniejszy sprzęt może być naprawiany tylko przez firmę 3M lub podmioty upoważnione przez nią na piśmie. Jeśli pionowy system zabezpieczeń z tuleją zabezpieczającą liny pionowe Lad-Saf poddano działaniu siły powstrzymującej upadek lub przegląd wykaże, że jest wadliwy bądź nie zapewnia bezpiecznej pracy, należy natychmiast wycofać go z eksploatacji i umieścić na nim wyraźne oznaczenie „NIE UŻYWAĆ”. Pionowy system zabezpieczeń z tuleją zabezpieczającą liny pionowe Lad-Saf należy następnie zniszczyć lub wysłać do firmy 3M w celu wymiany.

## 7.0 ZNACZNIK RFID

- 7.1 LOKALIZACJA:** Produkt firmy 3M objęty niniejszą instrukcją obsługi jest wyposażony w znacznik identyfikacji radiowej (RFID). Znaczniki RFID mogą być używane w koordynacji ze skanerem znaczników RFID do rejestrowania wyników przeglądów produktu. Umieszczenie znacznika RFID przedstawiono na Rysunku 8.
- 7.2 UTYLIZACJA:** Przed utylizacją produktu należy usunąć znacznik RFID i go zutylizować / poddać recyklingowi zgodnie z lokalnymi przepisami. Więcej informacji o usuwaniu znacznika RFID można znaleźć w podanej poniżej witrynie internetowej.

	Nie utylizować produktu jako nieposortowanych odpadów komunalnych. Symbol przekreślonego pojemnika na odpady na kółkach oznacza, że cały sprzęt elektryczny i elektroniczny należy poddać utylizacji zgodnie z lokalnymi przepisami za pośrednictwem udostępnionych systemów zwrotu i zbierania odpadów. Aby uzyskać dodatkowe informacje, należy skontaktować się ze sprzedawcą lub lokalnym przedstawicielem firmy 3M.
---	--

Aby uzyskać więcej informacji, prosimy odwiedzić naszą stronę internetową: <http://www.3M.com/FallProtection/RFID>



## 8.0 ETYKIETY I OZNACZENIA

- 8.1 ETYKIETY:** Rysunek 9 przedstawia rozmieszczenie etykiet na systemie zabezpieczeń do pracy na drabinach Lad-Saf. Rysunek 10 szczegółowo ukazuje każdą etykietę. Etykiety bez podanego rozmieszczenia na systemie należy umieścić w pobliżu systemu Lad-Saf. Informacje na etykietach:

<b>A</b>	A) Numer modelu tulei linowej. B) Numer seryjny. C) Ostrzeżenie – przestrzegaj wszystkich instrukcji użytkownika. D) Przeczytaj wszystkie instrukcje obsługi. E) Maksymalnie jeden użytkownik. F) Obowiązująca norma. G) Dane jednostki notyfikowanej. H) Wymagania co do wagi użytkownika.
<b>B</b>	A) Orientacja „w górę” do użytku tulei linowej.
<b>C</b>	A) Maksymalna dopuszczalna odległość pomiędzy liną systemu a punktem zaczepienia uprząży wynosi 23 cm (9,0 cali). B) Nie używać tulei linowej z linką bezpieczeństwa. Nie wolno modyfikować systemu w żaden sposób.
<b>D</b>	Identyfikator/nr partii (RRMMTdTT): RR = dwie ostatnie cyfry roku produkcji. MM = miesiąc produkcji. TdTd = tydzień roku produkcji. TT = wyłącznie do użytku wewnętrznego 3M.
<b>E</b>	1) Data montażu. 2) Montaż wykonał(a). 3) Wymagania dotyczące punktów kotwiczenia. 4) Maksymalna liczba użytkowników systemu. 5) Długość systemu. 6) Data produkcji. 7) Data przeglądu. 8) Numer seryjny. 9) Ostrzeżenia dotyczące systemu. 10) Matryca zgodności rodzajów lin i tulei oraz certyfikaty norm. 11) Znacznik RFID (patrz punkt 7.0)

**Tabela 2 – Dziennik przeglądów i konserwacji**

Data przeglądu:		Przeгляд przeprowadził(a):	
Element:	Przeгляд: <i>(Częstotliwość przeglądów, patrz punkt 2)</i>	Użytkownik	Osoba kompetentna
Tuleja linowa (Rysunek 2)	Sprawdź uchwyt (C) pod kątem zagięć, pęknięć i odkształceń. Wszystkie elementy mocujące muszą być dokładnie przymocowane. Obsługa uchwytu i krzywki musi być swobodna i płynna. Sprężyny muszą być zabezpieczone i dostatecznie mocne, by pociągnąć dźwignię w dół. Uchwyt działa również jako amortyzator i wskaźnik upadku. Uchwyt zostanie odkształcony, jeśli zostanie użyty do zahamowania upadku. Rysunek 11.3 pokazuje przykład uchwytu, którego nie użyto do zahamowania upadku (A) oraz uchwytu, którego użyto w tym celu, w wyniku czego doszło do odkształceń (B). Jeśli uchwyt jest odkształcony o więcej niż A = 12,7 mm (1/2 cala), nie używaj go. Należy zaprzestać użytkowania tulei.	<input type="checkbox"/>	<input type="checkbox"/>
	Sprawdź dźwignię blokującą (E) pod kątem łatwości obsługi, upewniając się, że wraca ona automatycznie do pozycji zamkniętej po zwolnieniu.	<input type="checkbox"/>	<input type="checkbox"/>
	Sprawdź krzywkę blokującą (H) pod kątem zużycia. Sprawdź, czy krzywka nie jest uszkodzona.	<input type="checkbox"/>	<input type="checkbox"/>
	Sprawdź krzywkę blokującą (H), trzymając tuleję pionowo z uchwytem (C) w pozycji pionowej i potrząsając tuleją w górę i w dół tak, aby symulować upadek. Krzywka powinna się swobodnie obracać.	<input type="checkbox"/>	<input type="checkbox"/>
	Sprawdź krzywkę blokującą (H), umieszczając tuleję poziomo z uchwytem (C) w pozycji pionowej oraz umieszczając tuleję na tylnej stronie na płaskiej powierzchni z etykietą Lad-Saf X3 skierowaną ku górze. Krzywka powinna obracać się w pełni ku górnej części tulei.	<input type="checkbox"/>	<input type="checkbox"/>
	Sprawdź działanie płyty bocznej (B), przesuwając ją i próbując otworzyć gniazdo liny. Nie może się obracać. Jeśli obraca się bez obracania dźwigni blokującej (E), zaprzestań użytkowania tulei.	<input type="checkbox"/>	<input type="checkbox"/>
	Przejrzyj cały moduł pod kątem oznak korozji.	<input type="checkbox"/>	<input type="checkbox"/>
Wspornik górny (Rysunek 11.2)	Sprawdź poprawność montażu według instrukcji montażu pionowego systemu zabezpieczeń z linami giętkimi Lad-Saf™, podręcznik firmy 3M Fall Protection nr 5908282 lub 5903435.	<input type="checkbox"/>	<input type="checkbox"/>
	Sprawdź, czy nie ma widocznych zewnętrznych uszkodzeń lub korozji. Sprawdź, czy nie ma pęknięć, zagięć lub zużycia, które mogłyby mieć wpływ na wytrzymałość i działanie systemu. Sprawdź spoiny. Sprawdź, czy nie ma pękniętych lub uszkodzonych spoin, które mogłyby mieć wpływ na siłę wsparcia. Wymień części w razie stwierdzenia wady.	<input type="checkbox"/>	<input type="checkbox"/>
	Sprawdź, czy nie ma luźnych lub brakujących elementów mocujących, za pomocą których wspornik górny jest przymocowany do konstrukcji (sworznie, płytki zaciskowe, śruby typu U). Jeśli elementy mocujące są luźne, dokręć je w razie potrzeby zgodnie z momentem dokręcania wskazanym w instrukcji montażu dostarczonej razem z systemem zabezpieczeń z linami giętkimi Lad-Saf.	<input type="checkbox"/>	<input type="checkbox"/>
	Sprawdź płytę górną pod kątem odkształcenia. Odległość w miejscu oznaczonym literą „A” powinna wynosić co najmniej 5 mm (0,20 cala).	<input type="checkbox"/>	<input type="checkbox"/>
	Upewnij się, że zarówno duży trzpień (B), jak i mały trzpień są na swoim miejscu. Upewnij się, że kłapa sprężyny (C) jest na swoim miejscu.	<input type="checkbox"/>	<input type="checkbox"/>
	Sprawdź urządzenie kotwiczące (D) pod kątem pęknięć lub oznak uszkodzeń. Sprawdź moment obrotowy elementu mocującego. Upewnij się, że oznaczenia podkładki są widoczne.	<input type="checkbox"/>	<input type="checkbox"/>
Wspornik dolny (Rysunek 11.1)	Sprawdź poprawność montażu według instrukcji montażu pionowego systemu zabezpieczeń z linami giętkimi Lad-Saf™, podręcznik firmy 3M Fall Protection nr 5908282 lub 5903435.	<input type="checkbox"/>	<input type="checkbox"/>
	Sprawdź, czy nie ma uszkodzeń lub korozji. Sprawdź, czy nie ma pęknięć, zagięć lub zużycia, które mogłyby mieć wpływ na wytrzymałość i działanie systemu. Wymień części w razie stwierdzenia wady.	<input type="checkbox"/>	<input type="checkbox"/>
	Sprawdź, czy nie ma luźnych lub brakujących elementów mocujących, za pomocą których wspornik dolny jest przymocowany do konstrukcji. Jeśli elementy mocujące są luźne, dokręć w razie potrzeby zgodnie z momentem dokręcania wskazanym w instrukcji montażu dostarczonej razem z systemem zabezpieczeń z linami giętkimi do pracy na drabinach Lad-Saf.	<input type="checkbox"/>	<input type="checkbox"/>
	Sprawdź ściągi prętowy. Za pomocą kilku klipsów dzielonych zapewnij utrzymanie liny. Sprawdź moment obrotowy na obejmach dzielonych — 47 N·m (35 ft·lb). Wymień lub dokręć w razie stwierdzenia wady.	<input type="checkbox"/>	<input type="checkbox"/>

**Tabela 2 – Dziennik przeglądów i konserwacji**

Data przeglądu:		Przegląd przeprowadził(a):	
Element:	Przegląd: <i>(Częstotliwość przeglądów, patrz punkt 2)</i>	Użytkownik	Osoba kompetentna
Prowadnice lin (Rysunek 1)	Sprawdź prowadnice liny pod kątem uszkodzeń. Sprawdź pod kątem zużycia lub uszkodzenia czarnego uretanu. Prowadnice liny powinny ograniczać linę i nie dopuszczać do kontaktu liny z drabiną/konstrukcją. Prowadnice liny należy umieścić wzdłuż liny nośnej w odległości około 6–12 m (20–40 ft) lub bliżej w razie potrzeby. Wymień części w razie stwierdzenia wady.	<input type="checkbox"/>	<input type="checkbox"/>
	Sprawdź elementy mocujące prowadnice liny. Elementy mocujące powinny zabezpieczać prowadnice liny w miejscu ich rozmieszczenia. Dokręć w razie potrzeby.	<input type="checkbox"/>	<input type="checkbox"/>
Lina (Rysunek 1)	Sprawdź linę pod kątem korozji, skręceń lub uszkodzeń, które będą miały wpływ na wytrzymałość i mogą utrudniać poruszanie się tulei linowej po linie. Jeśli wystąpią jakiegokolwiek nacięcia lub skręcenia liny drabiny, wówczas lina musi zostać poddana kontroli przez osobę kompetentną w tym zakresie przed ponownym użyciem. Sprawdź pod kątem oznak ścierania przy kontakcie z drabiną lub konstrukcją. Wymień linę w razie stwierdzenia wady.	<input type="checkbox"/>	<input type="checkbox"/>
	Sprawdź prawidłowe napięcie. Rowek powinien być odsłonięty nad dolnym szablonem (patrz oznaczenie „E” na Rysunku 11.1). Użytkownik nie powinien być w stanie wyciągnąć ściągu prętowego ręcznie. Lina powinna być naprężona na tyle, aby zapobiec kontaktowi z drabiną/konstrukcją. Ponownie napręż linę, jeśli jest to konieczne. Nie naprężaj nadmiernie systemu.	<input type="checkbox"/>	<input type="checkbox"/>
Etykiety (Rysunek 9)	Upewnić się, że wszystkie etykiety są na miejscu i są w pełni czytelne.	<input type="checkbox"/>	<input type="checkbox"/>
Systemy PFAS i inne urządzenia	Dodatkowe elementy wyposażenia indywidualnego systemu zabezpieczenia przed upadkiem (PFAS) (np. uprząż, urządzenie samohamowne itd.), które są stosowane wraz z systemem kotwiczącym, powinny być mocowane i przechodzić przegląd zgodnie z instrukcjami producenta.	<input type="checkbox"/>	<input type="checkbox"/>
Konstrukcja	Zweryfikować, czy konstrukcja, do której system jest przymocowany, spełnia wymagania w zakresie wytrzymałości określone w tabeli 1 we wszystkich możliwych kierunkach obciążeń.	<input type="checkbox"/>	<input type="checkbox"/>

<b>Numery seryjne:</b>	<b>Data zakupu:</b>
<b>Numer(y) modelu:</b>	<b>Data pierwszego użycia:</b>

<b>Działanie naprawcze / konserwacja:</b>	Zatwierdzone przez:	Termin następnego przeglądu:
	Data:	
<b>Działanie naprawcze / konserwacja:</b>	Zatwierdzone przez:	Termin następnego przeglądu:
	Data:	
<b>Działanie naprawcze / konserwacja:</b>	Zatwierdzone przez:	Termin następnego przeglądu:
	Data:	
<b>Działanie naprawcze / konserwacja:</b>	Zatwierdzone przez:	Termin następnego przeglądu:
	Data:	
<b>Działanie naprawcze / konserwacja:</b>	Zatwierdzone przez:	Termin następnego przeglądu:
	Data:	
<b>Działanie naprawcze / konserwacja:</b>	Zatwierdzone przez:	Termin następnego przeglądu:
	Data:	
<b>Działanie naprawcze / konserwacja:</b>	Zatwierdzone przez:	Termin następnego przeglądu:
	Data:	
<b>Działanie naprawcze / konserwacja:</b>	Zatwierdzone przez:	Termin następnego przeglądu:
	Data:	
<b>Działanie naprawcze / konserwacja:</b>	Zatwierdzone przez:	Termin następnego przeglądu:
	Data:	
<b>Działanie naprawcze / konserwacja:</b>	Zatwierdzone przez:	Termin następnego przeglądu:
	Data:	
<b>Działanie naprawcze / konserwacja:</b>	Zatwierdzone przez:	Termin następnego przeglądu:
	Data:	



## INFORMAÇÕES DE SEGURANÇA

**Certifique-se de que lê, compreende e segue todas as informações de segurança contidas nestas instruções antes de utilizar este Sistema vertical. O INCUMPRIMENTO DESSAS INSTRUÇÕES PODERÁ RESULTAR EM LESÕES GRAVES OU MORTE.**

**Estas instruções têm de ser fornecidas ao utilizador deste equipamento. Guarde estas instruções para referência futura.**

### Uso previsto:

Este Sistema vertical deve ser utilizado como parte de um sistema pessoal completo de proteção anti-queda.

A sua utilização noutras circunstâncias incluindo, sem limitações, atividades de manuseamento de materiais, atividades recreativas ou relacionadas com desporto ou outras atividades não descritas nas Instruções do produto, não está aprovada pela 3M e pode resultar em ferimentos graves ou morte.

Este dispositivo só deve ser utilizado por pessoas que tenham recebido formação no local de trabalho.

### AVISO

Este Sistema de Cabo flexível/Carril rígido é parte de um sistema pessoal de proteção. Todos os utilizadores devem receber formação quanto à instalação e manuseamento seguros do seu sistema pessoal de proteção anti-queda. **A má utilização deste dispositivo pode resultar em ferimentos graves ou morte.** Para a devida seleção, manuseamento, instalação, manutenção e reparação, consulte as Instruções do produto, incluindo todas as recomendações do fabricante, consulte um supervisor ou contacte os serviços técnicos da 3M.

- **Para minimizar os riscos associados à utilização de um Sistema de Cabo flexível/Carril rígido que, caso não evitados, podem resultar em ferimentos graves ou morte:**
  - Inspeccione todos os componentes do sistema antes de cada utilização, pelo menos uma vez por ano, e após cada incidente de queda. Inspeccione de acordo com as Instruções do produto.
  - Caso a inspeção venha a revelar qualquer condição insegura ou defeituosa nalgum componente do sistema, retire o componente de serviço e destrua-o.
  - Qualquer Sistema de Cabo flexível/Carril rígido, que tenha sido sujeito a arresto de queda ou força de impacto, deve ser imediatamente retirado de serviço e todos os seus componentes devem ser inspecionados por uma Pessoa competente antes de voltar a ser utilizado.
  - Não ligue ao sistema enquanto estiver a ser instalado.
  - Assegure-se de que o sistema tem a classificação adequada para o número total de utilizadores em simultâneo.
  - Ao desembalar, o cabo pode-se desenrolar rapidamente. Siga os procedimentos de segurança adequados e use equipamento de proteção individual adequado ao desembalar cabos.
  - Use apenas conectores aprovados para fixar o arnês de segurança ao sistema. Não utilize dispositivos conectores adicionais.
  - Use apenas o cabo especificado nas Instruções do produto.
  - Não interfira com a ação de bloqueio do dispositivo de vaivém/manga. Manipule o dispositivo apenas para o ligar e desligar do sistema.
  - Mantenha sempre três pontos de contacto quando estiver a escalar. Consulte as Instruções do produto para informações adicionais sobre técnicas para escalar.
  - Assegure-se de que os sistemas/subsistemas de proteção anti-queda, montados com componentes produzidos por diferentes fabricantes, são compatíveis e satisfazem os requisitos das normas aplicáveis, incluindo a ANSI Z359 ou outros códigos, normas ou requisitos de proteção anti-queda aplicáveis. Consulte sempre uma Pessoa competente e/ou Qualificada antes de utilizar estes sistemas.
- **Para minimizar os riscos associados à utilização em trabalhos em altura que, caso não sejam evitados, podem resultar em ferimentos graves ou morte:**
  - Certifique-se de que a sua condição física e o seu estado de saúde lhe permitem suportar, com segurança, todas as forças associadas ao trabalho em altura. Consulte um médico caso tenha alguma questão quanto à sua capacidade de utilizar este equipamento.
  - Nunca exceda a capacidade permitida do seu equipamento de proteção anti-queda.
  - Nunca exceda a distância de queda livre máxima do seu equipamento de proteção anti-queda.
  - Não utilize qualquer equipamento de proteção anti-queda que não cumpra os critérios predefinidos ou outras inspeções agendadas ou caso tenha dúvidas quanto à utilização ou adequação do equipamento no seu trabalho. Contacte os serviços técnicos da 3M se tiver dúvidas.
  - Algumas combinações de subsistemas e componentes podem interferir com o funcionamento deste equipamento. Utilize apenas conectores compatíveis. Consulte a 3M quando instalar ou utilizar este equipamento em combinação com componentes ou subsistemas diferentes dos descritos nas Instruções para o utilizador.
  - Tome precauções adicionais ao trabalhar perto de maquinaria em movimento (por exemplo, sistema top drive das plataformas petrolíferas), quanto a perigos elétricos, temperaturas extremas, perigos químicos, gases explosivos ou tóxicos, bermas afiadas ou materiais suspensos que possam cair em cima de si ou do seu equipamento de proteção anti-queda.
  - Utilize equipamentos de proteção contra soldadura por arco elétrico ou materiais inflamáveis ao trabalhar em ambientes de temperatura elevada.
  - Evite superfícies ou objetos que possam causar-lhe ferimentos ou danificar o equipamento.
  - Certifique-se de que existe uma altura livre de queda ao trabalhar em alturas.
  - Nunca modifique ou altere o equipamento de proteção anti-queda. Apenas a 3M ou terceiros com autorização escrita da 3M podem efetuar reparações neste equipamento.
  - Antes de utilizar equipamento de proteção anti-queda, certifique-se de que existe um plano de resgate pronto a ser acionado caso ocorra um incidente de queda.
  - No caso de um incidente de queda, solicite imediatamente ajuda médica para o trabalhador que caiu.
  - Não utilize um cinto de segurança para aplicações de detenção da queda. Utilize apenas um arnês completo de corpo.
  - Minimise as quedas com oscilação trabalhando o mais possível diretamente abaixo do ponto de fixação.
  - Se o dispositivo for utilizado durante uma formação, deve ser utilizado um sistema de proteção anti-queda secundário para garantir que o formando não fica exposto a perigo de queda.
  - Utilize sempre equipamento de proteção individual adequado durante a instalação, utilização ou inspeção do dispositivo/sistema.

Antes da instalação e utilização deste equipamento, registre os dados de identificação do produto da etiqueta de identificação no Registo de Inspeção e Manutenção (Tabela 2) no verso deste manual.

Certifique-se sempre de que está a utilizar a versão mais recente do seu manual de instruções da 3M. Visite o website da 3M ou contacte os Serviços Técnicos da 3M para obter manuais de instruções atualizados.

## DESCRIÇÃO DO PRODUTO:

A Figura 1 ilustra o Sistema de Segurança de Escada Lad-Saf™ 3M™ DBI-SALA® O Sistema de Segurança de Escada Lad-Saf foi concebido para proteger um trabalhador em caso de queda durante a utilização de escadas fixas ou estruturas de subida semelhantes. O sistema Lad-Saf é composto pelo suporte superior, um cabo de aço, a manga do cabo, a guia do cabo, a etiqueta do sistema e o suporte inferior. O suporte superior (A) é fixado na parte superior da escada e ancora o cabo (B) em coordenação com o suporte inferior (F), que é fixado na parte inferior da escada. A luva do cabo (C) move-se para cima e para baixo no cabo com o utilizador e fixa ao anel D dianteiro do arnês do utilizador. O guia do cabo (D) garante que o cabo permanece no lugar. A etiqueta do sistema (E) exibe informações importantes sobre segurança e deve ser colocada num ponto no sistema ou próximo dele. A etiqueta do sistema é visível como etiqueta "E" na figura 10.

A Figura 2 ilustra os componentes da manga do cabo Lad-Saf X3. A manga do cabo é composta pelo rolo superior, pela placa lateral rotativa, pela alça, pelo corpo da manga, pela alavanca de bloqueio, pelo rolo inferior, pelo mosquetão e pela came de bloqueio. O rolo superior (A) prende a manga do cabo ao cabo em coordenação com o rolo inferior (F). A placa lateral rotativa (B) e a pega (C) abrem para permitir o posicionamento da manga do cabo no cabo. O corpo da manga (D) compõe a estrutura principal da manga do cabo. A alavanca de bloqueio (E) bloqueia a manga do cabo e evita a abertura não intencional do dispositivo. A came de bloqueio (H) mantém a manga do cabo no lugar quando bloqueada. O mosquetão (G) é anexado ao anel D dianteiro do arnês do utilizador.

Consulte a Tabela 1 para obter as especificações dos componentes da manga e do sistema de segurança de cabos verticais Lad-Saf X3.

**Tabela 1 – Especificações**

Especificações do sistema:					
<b>Instalação do sistema:</b>	<b>Instruções de instalação</b>	<b>Tipo de sistema</b>	<b>Descrição do sistema</b>		
	5908282	Vertical	Sistema de Segurança Vertical de Cabos Flexíveis Lad-Saf		
	5903435	Vertical	Sistema de segurança de cabo flexível Lad-Saf com Argola em D giratória		
<b>Manga do cabo Lad-Saf:</b>	<b>Ref. Item</b>	<b>Força de Ativação</b>	<b>Comprimento máximo de implementação</b>	<b>Força de rutura mínima</b>	<b>Peso</b>
	6160054	450 lbf (2,0 kN)	102 mm (4,0 pol.)	3 600 lbf (16 kN)	1,0 kg (2,1 lb)
<b>Capacidade:</b>	Cada utilizador deve ter um peso combinado (roupas, ferramentas, etc.) de 40 kg a 140 kg (88 a 310 lb). O sistema Lad-Saf pode ter até quatro utilizadores simultâneos, mas cada manga de segurança de cabo vertical Lad-Saf X3 pode ter apenas um utilizador fixado. Para utilizadores adicionais, devem ser utilizadas mangas de cabo adicionais.				
<b>Requisitos de ancoragem:</b>	<b>Número de utilizadores</b>	<b>Força da ancoragem</b>	<b>Número de utilizadores</b>	<b>Força da ancoragem</b>	
	1	2 700 lbf (12 kN)	3	3 940 lbf (17,5 kN)	
	2	3 320 lbf (14,8 kN)	4	4 560 lbf (20,3 kN)	
<b>Temperatura de funcionamento:</b>	-40 °C a 60 °C (-40 °F a 140 °F)				
<b>Normas:</b>	A manga e o sistema de segurança do cabo vertical Lad-Saf X3 foram testados de acordo com as normas identificadas na capa dianteira deste manual de instruções.				
<b>Especificações da escada:</b>	A manga do cabo Lad-Saf X3 pode ser utilizada apenas com um cabo de núcleo sólido de 9,5 mm (3/8 pol.) de diâmetro. A utilização com qualquer outro cabo é proibida e pode resultar em lesões graves ou morte.				
	<b>Ref. Item</b>	<b>Descrição</b>	<b>Material</b>	<b>Força de rutura mínima</b>	<b>Peso</b>
	6104XXX / CE 6134XXX	9,5 mm (3/8 pol.), 1 x 7	aço galvanizado	15 400 lbf (68,4 kN)	0,27 lb. / pés (0,41 kg/m)
	6105XXX / CE 6135XXX	9,5 mm (3/8 pol.), 1 x 7	Aço inoxidável	18 000 lbf (80 kN)	0,27 lb. / pés (0,41 kg/m)
	6106XXX / CE 6136XXX	9,5 mm (3/8 pol.), 7 x 19	aço galvanizado	14 400 lbf (64 kN)	0,27 lb. / pés (0,41 kg/m)
6107XXX / CE 6137XXX	9,5 mm (3/8 pol.), 7 x 19	Aço inoxidável	12 000 lbf (53,3 kN)	0,27 lb. / pés (0,41 kg/m)	



**Tabela 1 – Especificações**

**Especificações dos componentes:**

**Sistema de Segurança de Escada Lad-Saf:**

<b>Referência na Figura 1</b>	<b>Componente</b>	<b>Materiais</b>
(A)	Suporte superior	aço galvanizado ou aço inoxidável
(B)	Cabo	aço galvanizado ou aço inoxidável
(C)	Manga do cabo	Aço inoxidável
(D)	Guia de cabo	Uretano
(E)	Etiqueta do sistema	Aço inoxidável
(F)	Suporte inferior	aço galvanizado ou aço inoxidável

**Manga do cabo Lad-Saf:**

<b>Referência na Figura 2</b>	<b>Componente</b>	<b>Materiais</b>
(A)	Cilindro superior	Nylon
(B)	Placa lateral rotativa	Aço inoxidável
(C)	Pega	Aço inoxidável
(D)	Corpo da manga	Aço inoxidável
(E)	Alavanca de bloqueio	Aço inoxidável
(F)	Cilindro inferior	Nylon
(G)	Mosquetão	Aço galvanizado
(H)	Came de bloqueio	Aço inoxidável

## 1,0 APLICAÇÃO DO PRODUTO

- 1,1 OBJETIVO:** Este Sistema de Segurança de Escada Lad-Saf™ faz parte de um sistema pessoal de proteção anti-queda. Quando utilizado juntamente com a Manga Destacável para Cabos Lad-Saf™, o Sistema de Segurança de Escada Lad-Saf foi concebido para proteger um trabalhador em caso de queda durante a utilização de escadas fixas ou estruturas de subida semelhantes.

**Apenas detenção da queda:** Não utilize o Sistema de Segurança de Escada Lad-Saf para qualquer outra finalidade que não seja a detenção da queda.

- 1,2 NORMAS:** O seu Sistema de Segurança de Escada está em conformidade com as normas nacionais ou regionais identificadas na capa destas instruções. Se este produto for novamente vendido fora do país de destino original, o revendedor tem que fornecer estas instruções no idioma do país no qual o produto será utilizado.
- 1,3 SUPERVISÃO:** A utilização do Sistema de Segurança de Escada Lad-Saf tem de ser supervisionada por uma Pessoa competente<sup>1</sup>. A Instalação do Sistema de Segurança de Escada Lad-Saf tem de ser supervisionada por uma Pessoa qualificada<sup>2</sup>.
- 1,4 FORMAÇÃO:** O Sistema de Segurança de Escada Lad-Saf deve ser instalado e utilizado por pessoas que tenham recebido formação quanto à sua aplicação correta. Este manual deverá ser integrado num programa de formação para funcionários, conforme exigido pelos regulamentos nacionais, regionais ou locais. É da responsabilidade dos instaladores deste equipamento garantir que estão familiarizados com estas instruções, que receberam formação sobre a manutenção e utilização corretas deste equipamento e que têm conhecimento das características de funcionamento, dos limites de aplicação e das consequências da utilização indevida do mesmo.
- 1,5 PLANO DE RESGATE:** Quando utilizar este equipamento e subsistemas de ligação, a entidade patronal deverá ter um plano de resgate e os meios disponíveis para implementar e comunicar esse plano aos utilizadores, pessoas autorizadas<sup>3</sup> e socorristas<sup>4</sup>. Recomenda-se a presença de uma equipa de resgate com formação no local. Os membros da equipa devem receber o equipamento e conhecer as técnicas necessárias para realizar um resgate com êxito. A formação deve ser fornecida periodicamente para assegurar a competência técnica da equipa de resgate.
- 1,6 FREQUÊNCIA DE INSPEÇÕES:** O Sistema de Segurança de Escada deve ser inspecionado pelo utilizador antes de cada utilização e, adicionalmente, por uma pessoa competente sem ser o utilizador em intervalos que não ultrapassem um ano.<sup>5</sup> Os procedimentos de inspeção estão descritos no "Registo de inspeções e manutenções". Os resultados de cada inspeção realizada pela Pessoa competente devem ser registados em cópias do "Registo de inspeções e manutenções".
- 1,7 APÓS UMA QUEDA:** Se o Sistema Lad-Saf sujeito a forças de paragem de uma queda, deverá ser retirado imediatamente de serviço e marcado claramente com a mensagem "NÃO UTILIZAR". A manga e o sistema de segurança do cabo Lad-Saf devem ser destruídos ou encaminhados para a 3M para substituição.

## 2,0 REQUISITOS DO SISTEMA

- 2,1 ANCORAGEM:** Os requisitos de fixação variam com a aplicação da proteção contra quedas. A estrutura na qual o Sistema de Segurança de Escada é colocado ou montado deve cumprir as especificações de Ancoragem definidas na Tabela 1.
- 2,2 PERIGOS:** A utilização deste equipamento em áreas com perigos ambientais poderá necessitar de precauções acrescidas a fim de evitar lesões no utilizador ou danos no equipamento. Os perigos podem incluir (embora sem caráter limitativo): temperaturas elevadas, químicos, ambientes corrosivos, linhas de alta tensão, gases explosivos ou tóxicos, máquinas em movimento, extremidades afiadas ou materiais suspensos que possam cair e atingir o utilizador ou o Sistema individual de proteção anti-queda.
- 2,3 COMPATIBILIDADE DO CLIMB ASSIST:** Não utilize um Powered Climb Assist (PCA) com um sistema de detenção de queda com escada para subida (CLFAS) da 3M, incluindo o sistema de corda vertical Lad-Saf e as luvas de cabo destacáveis Lad-Saf X2, X3 ou X3 +, a menos que a PCA tenha sido verificada por 3M como sendo compatível com o CLFAS da 3M. O incumprimento deste aviso pode resultar numa queda do utilizador não sendo preso com segurança no caso de uma queda em altura ao utilizar sistemas PCA e CLFAS incompatíveis. Contacte os serviços técnicos da 3M através do 3MFallProtectionTech@mmm.com se tiver dúvidas.

A utilização de sistemas Climb Assist que não sejam compatíveis com os sistemas verticais da 3M pode resultar em lesões graves ou morte.

- 2,4 COMPATIBILIDADE DOS COMPONENTES:** O equipamento da 3M destina-se ser utilizado apenas com componentes e subsistemas aprovados pela 3M. Quaisquer substituições efetuadas com componentes ou subsistemas não aprovados podem comprometer a compatibilidade do equipamento e afetar a segurança e fiabilidade de todo o sistema.
- 2,5 COMPATIBILIDADE DOS CONECTORES:** Os conectores são considerados compatíveis com os elementos de ligação quando tiverem sido concebidos para trabalhar em conjunto de modo a que os seus tamanhos e formas não provoquem a abertura involuntária dos respetivos mecanismos de fecho, independentemente da forma como ficam orientados. Contacte a 3M se tiver dúvidas em relação à compatibilidade.

Os conectores (ganchos, mosquetões, argolas em D) devem ter capacidade para suportar, pelo menos, 22,2 kN (5000 lbs.). Os conectores têm de ser compatíveis com a fixação ou outros componentes do sistema. Não utilize equipamento que não seja compatível. Os conectores incompatíveis podem desprender-se involuntariamente (consulte a Figura 4). Os conectores têm de ser compatíveis em tamanho, forma e resistência. Se o elemento de ligação ao qual se fixa o mosquetão ou gancho de engate rápido for demasiado pequeno ou tiver uma forma irregular, pode ocorrer um problema no local onde o elemento de ligação aplica uma força no trinco do mosquetão ou gancho de engate rápido (A). Esta força pode provocar a abertura do trinco (B), permitindo que o mosquetão ou gancho de engate rápido se solte do ponto de ligação (C).

As normas ANSI Z359 e OSHA exigem a utilização de mosquetões e de ganchos de engate rápido autobloqueio.

- 1 Pessoa competente:** uma pessoa capaz de identificar perigos existentes e previsíveis nas proximidades ou condições de trabalho insalubres, nocivas ou perigosas para os funcionários, autorizada a tomar medidas corretivas imediatas para os eliminar.
- 2 Pessoa qualificada:** Uma pessoa com um diploma, certificado ou posição profissional reconhecido, ou que, com amplo conhecimento, formação e experiência, tenha demonstrado com êxito a sua capacidade de solucionar ou resolver problemas relacionados com sistemas de proteção contra quedas e resgate, na medida exigida pela OSHA ou outro órgão federal aplicável, regulamentos estaduais e locais.
- 3 Pessoa autorizada:** Uma pessoa designada pela entidade patronal para realizar trabalhos numa localização em que a pessoa estará exposta a perigo de queda.
- 4 Socorrista:** Pessoa ou pessoas (sem ser a pessoa a ser socorrida) que procedem a uma ação de resgate assistida, mediante a utilização de um sistema de resgate.
- 5 Frequência de inspeções:** As condições de trabalho extremas (ambientes rigorosos, utilização prolongada, etc.) podem levar à necessidade de aumentar a frequência das inspeções por pessoas competentes.

**2,6 EFETUAR LIGAÇÕES:** Os mosquetões e ganchos de engate rápido utilizados com este equipamento têm de ser de autobloqueio. Certifique-se de que todas as ligações são compatíveis em tamanho, forma e resistência. Não utilize equipamento que não seja compatível. Certifique-se de que todos os conectores estão totalmente fechados e bloqueados.

Os conectores da 3M (mosquetões e ganchos de engate rápido) foram concebidos para serem utilizados apenas como indicado nas instruções de utilização de cada produto. Consulte a Figura 5 para visualizar exemplos de ligações incorretas. Não ligue mosquetões e ganchos de engate rápido:

- A. A uma argola em D à qual esteja preso outro conector.
- B. de forma a que resulte uma carga sobre a lingueta de abertura. Os ganchos de engate rápido de abertura larga não devem ser ligados a argolas em D de tamanho normal ou a objetos idênticos, pois tal iria resultar numa carga sobre o trinco caso o gancho ou a argola em D gire ou rode, a não ser que o gancho de engate rápido esteja equipado com um trinco para 16 kN (3600 lbs.). Veja a marcação no seu gancho de engate rápido para verificar se é adequado para a sua aplicação.
- C. Num encaixe incorreto, onde os componentes que sobressaem do gancho de engate rápido ou do mosquetão ficam presos na fixação e, que sem confirmação visual, parecem estar totalmente encaixados ao ponto de fixação.
- D. Entre si.
- E. Diretamente ao cabo de segurança de rede ou tecido ou à espia (a não ser que as instruções do fabricante, tanto para o cabo de segurança como para o conector autorizem especificamente essa ligação).
- F. a qualquer objecto que tenha uma forma ou dimensão que não permita que os mosquetões fechem ou tranquem ou de modo a que possa ocorrer um deslizamento.
- G. De forma a não permitir que o conector fique corretamente alinhado enquanto estiver sujeito a carga.

### 3,0 INSTALAÇÃO

Para obter mais informações sobre os procedimentos de instalação do sistema Lad-Saf, consulte as instruções de instalação do produto. Consulte IFU 5908282 ou IFU 5903435 para mais informações.

**3,1 PLANEAMENTO:** Planeie a sua utilização do Sistema de Segurança de Escada Lad-Saf antes de iniciar o trabalho. Tenha em consideração todos os fatores que possam afetar a sua segurança antes, durante e após uma queda. Tenha em consideração todos os requisitos, limitações e especificações definidos na Secção 2 e na Tabela 1.

- Verifique os valores nominais do sistema para o número de utilizadores necessários no sistema.
- Existem riscos associados à conexão e desconexão do sistema. Use proteção secundária de detenção da queda. Garanta pontos de amarração adequados, plataformas ou outros meios disponíveis nos pontos de conexão e desconexão, para permitir transições seguras do sistema e para o sistema.
- É necessária uma distância de queda mínima de 7 pés (2,0 m) entre o pé do utilizador e a superfície abaixo. O utilizador pode não estar protegido contra a queda no chão ou o pousar durante os primeiros 2,0 m (7 pés) de subida ou os últimos 2,0 m (7 pés) de descida. Utilize os procedimentos adequados à escalada (por exemplo, manter três pontos de contacto com os pés e as mãos) sempre que subir ou descer qualquer parte da escada desprotegida pelo sistema Lad-Saf™.
- Utilize os procedimentos de segurança adequados quando escalar. Não leve na mão ferramentas ou equipamento. As mãos devem estar livres durante a escalada. Prenda os itens transportados para evitar que caiam sobre as pessoas em baixo. Use as escadas respeitando os limites das suas capacidades. Subidas ou descidas longas podem exigir várias pausas para descansar, a fim de evitar a exaustão. Utilize equipamento de posicionamento de trabalho adequado durante as pausas para descanso. Não suba com ventos fortes ou más condições atmosféricas.
- Apenas um único utilizador deve subir entre as guias de cabo.

**3,2 LIGAÇÃO DA MANGA DO CABO AO CABO DE TRANSPORTE:** A manga de segurança do cabo vertical Lad-Saf X3 deve ser ligada a um Sistema de Segurança de Escada Lad-Saf da 3M para ser utilizada. Consulte a Figura 7 para obter uma referência. Para ligar a manga do cabo Lad-Saf X3 ao cabo de transporte do sistema Lad-Saf:

1. **Posicione a manga de modo a que a seta "para cima" na manga (I) esteja a apontar no sentido da subida.**
2. **Rode a alavanca de bloqueio (E) para a posição desbloqueada.** A Figura 3 mostra as posições bloqueada (1) e desbloqueada (B) da alavanca de bloqueio. A alavanca de bloqueio encontra-se em ambos os lados da manga destacável para cabos, para poder ser usada com a mão direita ou esquerda.
3. **Puxe a placa lateral rotativa (B) o máximo possível para trás.** Quando a placa lateral rotativa estiver na sua máxima posição rodada, a alavanca de bloqueio (E) pode ser libertada. O came de bloqueio (H) será totalmente estendido.
4. **Rode a pega (C) para a posição totalmente vertical.** Isso permitirá que o came de bloqueio caia e se afaste para se poder instalar a manga no cabo.
5. **Segure a manga na vertical e insira o cabo (J) através da ranhura na parte lateral da manga com um movimento de elevação para cima.** Posicione o cabo no encaixe da manga. Solte a pega (C), placa lateral rotativa (B) e alavanca de bloqueio (E) para bloquear a manga sobre o cabo. **Verifique se a alavanca de bloqueio (E) está na posição bloqueada antes de usar o equipamento.**

**3,3 LIGAÇÃO DA MANGA DO CABO AO ARNÊS:** A ligação entre a manga do cabo e o arnês de corpo inteiro pode ser efetuada antes ou depois da instalação da manga do cabo no Sistema Lad-Saf. Um sistema de proteção secundário anti-queda é recomendado ao ligar ou desligar o sistema Lad-Saf. Manusear a manga na subida ou descida expõe o utilizar a perigos de queda. O sistema Lad-Saf deve ter um ângulo máximo de 15° vertical sempre durante a utilização.

Não utilize outros dispositivos de ligação ou combine dispositivos (por exemplo, cabo de segurança) com o conector fornecido com a manga do cabo. Recorra sempre ao conector de mosquetão fornecido com a manga do cabo durante a utilização. Não o substitua por outros dispositivos de ligação.

- **SUBIR:** Para subir a estrutura, mantenha sempre três pontos de contacto (com as mãos e os pés). A Manga Destacável para Cabos Lad-Saf X3 seguirá o trabalhador durante a subida. O cabo de transporte soltar-se-á dos guias do cabo à medida que se encontrarem. **Não manuseie nem retire a manga do cabo de transporte quando passar as guias de cabo ou se a manga fechar.**
- **DESCER:** Para descer a estrutura, desça lentamente mantendo sempre três pontos de contacto (com as mãos e os pés). Deixe a manga destacável para cabos Lad-Saf X3 "conduzir" o trabalhador até ao ponto desejado. Descer fora da posição (por ex., inclinar-se demasiado para trás ou subir erráticamente) pode fazer com que a manga fique bloqueada no cabo de transporte. Se a manga bloquear, suba ligeiramente para a soltar e continue a descer a estrutura. Volte a ligar o cabo de transporte nas guias de cabo depois de ter passado cada guia de cabos. **Não manuseie nem retire a manga do cabo de transporte quando passar as guias de cabo ou se a manga fechar.**
- **DESLIGAR:** Quando a subida estiver concluída, desligue a manga do cabo do sistema. Consulte a Figura 2 para obter as referências do componente.
  1. Remova a manga do cabo rodando a alavanca de bloqueio (E).
  2. Puxe a placa lateral (B) para trás e rode a pega (C) para a sua posição vertical máxima.
  3. A manga poderá então ser removida do cabo e devidamente armazenada.

### 4,0 UTILIZAÇÃO

**4,1 ANTES DE CADA UTILIZAÇÃO:** Confirme que a sua área de trabalho e Sistema Pessoal de Proteção anti-quadras (PFAS) cumprem os critérios definidos na Secção 2 e que existe um Plano de Salvamento formal implementado. Inspeção o Sistema Lad-Saf de acordo com os pontos de inspeção do "Utilizador" definidos no "Registo de Inspeção e Manutenção" (Tabela 2). Não utilize o sistema se a inspeção revelar uma condição perigosa ou defeituosa. Retire o sistema imediatamente de serviço e marque claramente "NÃO UTILIZAR". A manga e o sistema de segurança do cabo vertical Lad-Saf devem ser destruídos ou encaminhados para a 3M para substituição.

**4,2 CONEXÕES DO SISTEMA:** O sistema Lad-Saf deve ser utilizado com um arnês de corpo inteiro. O arnês de corpo inteiro para ANSI 2359.11, CSA Z259.10, EN 361 ou outra norma nacional, regional ou local aplicável. Para o encaixe adequado do seu arnês de corpo inteiro, consulte as instruções do fabricante. Para ligar ao seu arnês de corpo inteiro, ligue o mosquetão do sistema Lad-Saf ao anel D dianteiro (A) do seu arnês de corpo inteiro. É proibida a utilização com qualquer outro conector ou anel D no seu arnês de corpo inteiro.

As normas OSHA 1910.29 e OSHA 1926.1053 estabelecem que o comprimento da ligação entre o transportador e o ponto de fixação não deverá exceder 23 cm (9 pol.).

## 5,0 INSPEÇÃO

- 5,1 FREQUÊNCIA DE INSPEÇÕES:** O sistema Lad-Saf tem de ser inspecionado nos intervalos definidos na Secção 1. Os procedimentos de inspeção estão descritos em "Registo de inspeções e manutenções" (Tabela 2). Inspeccione todos os outros componentes do Sistema de proteção anti-queda de acordo com as frequências e procedimentos definidos nas instruções do respetivo fabricante.
- 5,2 DEFEITOS:** Se a inspeção revelar condições perigosas ou defeituosas ou se surgir alguma dúvida sobre o estado do sistema, retire imediatamente o Sistema Lad-Saf de serviço e marque claramente "NÃO UTILIZAR". A manga e o sistema de segurança do cabo vertical Lad-Saf devem ser destruídos ou encaminhados para a 3M para substituição. Não tente reparar o sistema.
- 5,3 VIDA DO PRODUTO:** A vida funcional do sistema Lad-Saf é determinada pelas condições de trabalho e manutenção. Enquanto o produto passar os critérios de inspeção, poderá continuar a ser utilizado.

## 6,0 MANUTENÇÃO, REPARAÇÃO, ARMAZENAMENTO

- 6,1 LIMPEZA DO SISTEMA:** Para problemas de manutenção relacionados com a inspeção, consulte a secção 5.0. Se o cabo de transporte ficar sujo de óleo, massa lubrificante, tinta ou outras substâncias, limpe-o com água morna e sabão. Limpe o cabo com um pano limpo e seco. Não aplique calor para acelerar a secagem. Não utilize ácidos ou outros produtos químicos cáusticos que possam danificar o cabo.

Quaisquer procedimentos adicionais de manutenção e assistência deverão ser realizados num centro de assistência técnica autorizado. Esta autorização deve ser concedida por escrito.

- 6,2 LIMPAR A MANGA DO CABO:** Uma manga de segurança do cabo vertical Lad-Saf X3 suja pode ser limpa utilizando o seguinte procedimento:
1. Misture quatro partes de água morna com uma parte de solução de limpeza suave (por exemplo, solução verde simples ou semelhante).
  2. Mergulhe a manga do cabo na solução e mergulhe toda a manga do cabo na mistura durante 2-3 horas.
  3. Remova a manga do cabo da solução e enxague com água morna durante pelo menos 1 minuto. Certifique-se de que remove qualquer excesso de sujidade.
  4. Deixe o cabo secar ao ar livre durante 24 horas antes de utilizar. Utilize ar fresco e forçado é aceitável.
  5. Consulte a Figura 2 para obter uma referência. Aplique uma pequena quantidade de lubrificação nos pontos de articulação (E) ou na base da placa lateral (B).
  6. Realize uma inspeção pré-utilização, conforme especificado na Secção 5.3. Confirme se não está alojado nenhum detrito internamente, o que pode afetar a operação da manga do cabo.
- 6,3 ARMAZENAMENTO E TRANSPORTE:** Armazene a Manga de segurança do cabo vertical Lad-Saf X3 num ambiente fresco, seco e limpo, longe da luz solar direta. Evite áreas em que possam existir vapores químicos. Inspeccione minuciosamente a manga após um armazenamento prolongado.
- Transporte a manga do cabo Lad-Saf numa embalagem que a proteja de quaisquer cortes, humidade ou raios ultravioleta. Evite atmosferas corrosivas, sobreaquecidas ou refrigeradas.
- 6,4 ASSISTÊNCIA:** Apenas a 3M ou terceiros com autorização escrita pela 3M podem efetuar reparações neste equipamento. Se a manga e o sistema de segurança do cabo vertical Lad-Saf tiverem sido submetidos a força de queda ou a inspeção revelar condições inseguras ou defeituosas, retire o sistema de serviço imediatamente e marque claramente "NÃO UTILIZAR". A manga e o sistema de segurança do cabo vertical Lad-Saf devem ser destruídos ou encaminhados para a 3M para substituição.

## 7,0 ETIQUETA RFID

- 7,1 LOCAL:** O produto 3M abrangido nestas instruções de utilização está equipado com uma etiqueta de identificação por radiofrequência (RFID). As etiquetas RFID podem ser utilizadas em conjunto com um scanner de etiquetas RFID para registar os resultados da inspeção do produto. Veja a Figura 8 para saber a localização da sua etiqueta RFID.
- 7,2 ELIMINAÇÃO:** Antes de eliminar este produto, remova a etiqueta RFID e elimine/recicle de acordo com os regulamentos locais. Consulte a ligação do website em baixo para obter informações adicionais sobre como remover a etiqueta RFID.



Não elimine o seu produto como resíduo municipal indiferenciado. O símbolo do contentor do lixo barrado uma cruz indica que todos os EEE (Equipamentos Elétricos e Eletrônicos) têm de ser eliminados em conformidade com a legislação local através dos sistemas de devolução e recolha disponíveis. Para mais informações, contacte o seu revendedor ou o representante local da 3M.

Para mais informações, visite nosso site: <http://www.3M.com/FallProtection/RFID>



## 8,0 ETIQUETAS e MARCAÇÕES

**8,1 ETIQUETAS:** A Figura 9 ilustra os locais das etiquetas no sistema de segurança de escada Lad-Saf. A Figura 10 ilustra cada etiqueta em detalhes. As etiquetas sem um local listado no sistema devem ser colocadas num local junto ao sistema Lad-Saf. As informações fornecidas em cada etiqueta são as seguintes:

<b>A</b>	A) Número do modelo da manga do cabo B) Número de série C) Aviso - Siga todas as instruções de utilização. D) Ler todas as instruções para o utilizador. E) Máximo de um utilizador. F) Norma aplicável G) Detalhe do organismo notificado H) Requisitos de peso do utilizador
<b>B</b>	A) Orientação "para cima" da manga do cabo para utilização.
<b>C</b>	A) A distância máxima permitida entre o cabo do sistema e o ponto de ligação do arnês é de 23 cm (9,0 pol.). B) Não utilize a manga do cabo com um cabo de segurança. Não modifique o sistema de forma alguma.
<b>D</b>	Número de identificação/Lote (AAMMSST): AA = últimos dois dígitos do ano de fabrico. MM = mês de fabrico. SS = semana do ano de fabrico. TT = exclusivamente para uso interno da 3M.
<b>E</b>	1) Data da instalação 2) Instalado por 3) Requisitos de ancoragem 4) Número máximo de utilizadores por sistema 5) Comprimento do sistema 6) Data de fabrico 7) Data da inspeção 8) Número de série 9) Avisos do sistema 10) Matriz de compatibilidade de tipo de cabo e manga juntamente com certificação de normas. 11) Etiqueta RFID (consulte a Secção 7.0)

**Tabela 2 – Registo de Inspeção e manutenção**

Data da inspeção:		Inspeccionado por:	
Componente:	Inspeção: (Para obter mais informações acerca da <i>Frequência de inspeções</i> da unidade, consulte a secção 2)	Utilizador	Pessoa competente
Manga do cabo (Figura 2)	Inspeccione a pega (C) para ver se há dobras, fissuras e deformidades. Todos os dispositivos de aperto deverão ser ligados de forma segura. A pega e o pino devem funcionar de forma solta e suave. As molas devem encontrar-se fixas de forma segura e ter força suficiente para rebaixar a pega. O identificador também atua como um absorvedor de energia e um indicador de queda. A pega será deformada se tiver sido utilizada para detenção de queda. A Figura 11.3 mostra um exemplo de uma pega que não foi utilizada para detenção da queda (A) e uma pega que foi utilizada para detenção da queda e está deformada (B). Se a pega estiver deformada mais do que A = 12,7 mm (1/2 pol.) não utilize. Retire a manga de serviço.	<input type="checkbox"/>	<input type="checkbox"/>
	Inspeccione a alavanca de bloqueio (E) para validar um funcionamento suave, assegurando que a mola retome a posição de bloqueio quando for libertada.	<input type="checkbox"/>	<input type="checkbox"/>
	Inspeccione a came de bloqueio (H) quanto a desgaste. Confirme que o pino não apresenta danos.	<input type="checkbox"/>	<input type="checkbox"/>
	Inspeccione a came de bloqueio (H) segurando a manga na vertical com a pega (C) na vertical e agitando a manga para cima e para baixo para simular uma queda. O pino deve rodar livremente.	<input type="checkbox"/>	<input type="checkbox"/>
	Inspeccione a came de bloqueio (H) posicionando a manga na horizontal com a pega (C) na vertical e colocando a manga sobre a parte traseira numa superfície plana com a etiqueta Lad-Saf X3 virada para cima. O pino deve rodar totalmente para cima para a parte superior da manga.	<input type="checkbox"/>	<input type="checkbox"/>
	Inspeccione o funcionamento da placa lateral rotativa (B) puxando-a para trás para tentar abrir a ranhura do cabo. Não pode rodar. Se rodar sem ser necessário rodar a alavanca de bloqueio (E), remova a manga de serviço.	<input type="checkbox"/>	<input type="checkbox"/>
	Procure sinais de corrosão em toda a unidade.	<input type="checkbox"/>	<input type="checkbox"/>
Suporte superior (Figura 11,2)	Inspeccione a instalação dos Sistemas de Segurança para Cabos Verticais Flexíveis Lad-Saf™, segundo as instruções de instalação e o manual n.º 5908282 ou n.º 5903435 da 3M Fall Protection.	<input type="checkbox"/>	<input type="checkbox"/>
	Verifique se há danos ou corrosão visíveis. Procure fendas, dobras ou desgaste passíveis de afetar a resistência e o funcionamento do sistema. Inspeccione as soldaduras. Verifique se há soldaduras fendidas ou partidas que possam afetar a resistência do suporte. Substitua peças se forem encontrados defeitos.	<input type="checkbox"/>	<input type="checkbox"/>
	Verifique se há elementos de fixação que prendem o suporte superior à estrutura (parafusos, pratos de fixação, parafusos em U) soltos ou em falta. Se os fixadores estiverem soltos, volte a apertá-los com os binários indicados nas Instruções de instalação fornecidas com o seu Sistema de segurança para cabos flexíveis Lad-Saf.	<input type="checkbox"/>	<input type="checkbox"/>
	Inspeccione a placa superior para verificar e existem deformações. O espaço deverá ser, no mínimo, de 5 mm (0,20 pol.) no local A.	<input type="checkbox"/>	<input type="checkbox"/>
	Verifique se o pino grande (B) e o pino pequeno estão no lugar. Certifique-se de que a lingueta de mola (C) está colocada.	<input type="checkbox"/>	<input type="checkbox"/>
	Inspeccione a ancoragem de ponto simples (D) para verificar se há fissuras ou indícios de danos. Inspeccione o binário de aperto do elemento de fixação. Certifique-se de que a anilha tem marcações visíveis.	<input type="checkbox"/>	<input type="checkbox"/>
Suporte inferior (Figura 11,1)	Inspeccione a instalação dos Sistemas de Segurança para Cabos Verticais Flexíveis Lad-Saf™, segundo as instruções de instalação e o manual n.º 5908282 ou n.º 5903435 da 3M Fall Protection.	<input type="checkbox"/>	<input type="checkbox"/>
	Verifique se há danos ou corrosão. Procure fendas, dobras ou desgaste passíveis de afetar a resistência e o funcionamento do sistema. Substitua peças se forem encontrados defeitos.	<input type="checkbox"/>	<input type="checkbox"/>
	Verifique se há elementos de fixação que prendem o suporte inferior à estrutura soltos ou em falta. Se os elementos de fixação estiverem soltos, volte a apertá-los com os binários indicados nas Instruções de instalação fornecidas com o seu Sistema de segurança para escadas de cabos flexíveis Lad-Saf.	<input type="checkbox"/>	<input type="checkbox"/>
	Inspeccione o conjunto da haste tensora. Certifique-se de que os grampos de fixação prendem o cabo com firmeza. Verifique o binário nos grampos de fixação; binário até 47 N-m (35 pés-libras). Substitua ou volte a apertar se forem encontrados defeitos.	<input type="checkbox"/>	<input type="checkbox"/>



**Tabela 2 – Registo de Inspeção e manutenção**

<b>Data da inspeção:</b>		<b>Inspecionado por:</b>	
<b>Componente:</b>	<b>Inspeção:</b> (Para obter mais informações acerca da <i>Frequência de inspeções</i> da unidade, consulte a secção 2)	<b>Utilizador</b>	<b>Pessoa competente</b>
Guias de cabo (Figura 1)	Verifique se as guias de cabo não estão danificadas. Verifique se o uretano preto apresenta desgaste ou danos. As guias de cabo devem prender o cabo e evitar que este entre em contacto com a escada/estrutura. As guias de cabo devem ser posicionadas com intervalos de 6-12 m (20-40 pés) ou menos, se necessário, ao longo do cabo de transporte. Substitua peças se forem encontrados defeitos.	<input type="checkbox"/>	<input type="checkbox"/>
	Verifique os elementos de fixação da guia do cabo. Os elementos de fixação devem prender a guia do cabo na devida posição. Aperte conforme necessário.	<input type="checkbox"/>	<input type="checkbox"/>
Cabo (Figura 1)	O cabo não deve apresentar sinais de corrosão, dobras ou quaisquer danos que impeçam o deslocamento da manga. Se houver rasgões ou torções no cabo da escada, o cabo deve ser inspecionado por um técnico competente antes de ser utilizado. Inspeccione quanto a sinais de abrasão contra a escada ou a estrutura. Substitua o cabo se forem encontrados defeitos.	<input type="checkbox"/>	<input type="checkbox"/>
	Verifique se a tensão está correta. A ranhura deve ser exposta acima do modelo inferior (consulte a alínea "E", Figura 11.1). Não deverá ser possível puxar para baixo a haste tensora manualmente. O cabo deve ser apertado o suficiente para evitar o contacto com a escada/estrutura. Volte a apertar o cabo se necessário. Não aperte demasiado o sistema.	<input type="checkbox"/>	<input type="checkbox"/>
Etiquetas (Figura 9)	Certifique-se de que todas as etiquetas estão presentes e são completamente legíveis.	<input type="checkbox"/>	<input type="checkbox"/>
Sistema pessoal de proteção anti-quedas e outros equipamentos	O equipamento adicional do sistema pessoal de proteção anti-quedas (PFAS) (arnês, SRD, etc.) utilizado com o Sistema de Ancoragem deve ser instalado e inspecionado de acordo com as instruções do fabricante.	<input type="checkbox"/>	<input type="checkbox"/>
Estrutura	Verifique se a estrutura à qual a estrutura é presa cumpre os requisitos de resistência da Tabela 1 em todas as possíveis direções de carga.	<input type="checkbox"/>	<input type="checkbox"/>

<b>Número(s) de série:</b>	<b>Data de aquisição:</b>
<b>Número(s) de modelo:</b>	<b>Data da primeira utilização:</b>

<b>Ação corretiva/manutenção:</b>	Aprovado por:	Data da próxima inspeção:
	Data:	
<b>Ação corretiva/manutenção:</b>	Aprovado por:	Data da próxima inspeção:
	Data:	
<b>Ação corretiva/manutenção:</b>	Aprovado por:	Data da próxima inspeção:
	Data:	
<b>Ação corretiva/manutenção:</b>	Aprovado por:	Data da próxima inspeção:
	Data:	
<b>Ação corretiva/manutenção:</b>	Aprovado por:	Data da próxima inspeção:
	Data:	
<b>Ação corretiva/manutenção:</b>	Aprovado por:	Data da próxima inspeção:
	Data:	
<b>Ação corretiva/manutenção:</b>	Aprovado por:	Data da próxima inspeção:
	Data:	
<b>Ação corretiva/manutenção:</b>	Aprovado por:	Data da próxima inspeção:
	Data:	
<b>Ação corretiva/manutenção:</b>	Aprovado por:	Data da próxima inspeção:
	Data:	
<b>Ação corretiva/manutenção:</b>	Aprovado por:	Data da próxima inspeção:
	Data:	

**Înainte de a utiliza acest sistem vertical, vă rugăm să citiți, să vă asigurați că ați înțeles și să aplicați toate informațiile privind siguranța care sunt incluse în aceste instrucțiuni. NERESPECTAREA ACESTORA POATE DUCE LA ACCIDENTĂRI GRAVE SAU CHIAR LA DECES.**

**Utilizatorul acestui echipament trebuie să primească aceste instrucțiuni. Păstrați aceste instrucțiuni pentru a le consulta ulterior.**

## Domeniu de utilizare:

acest sistem vertical este destinat a fi utilizat ca parte a unui sistem complet de protecție individuală împotriva căderii.

Utilizarea în orice alt scop, inclusiv, dar fără limitare la manevrarea materialelor, activități recreative sau sportive sau pentru orice alte activități care nu sunt descrise în Instrucțiunile privind produsul, nu este aprobată de 3M și poate genera accidente grave sau decesul.

Acest dispozitiv trebuie folosit numai de către utilizatorii instruiți pentru activitățile desfășurate la locul lor de muncă.

## AVERTISMENT

Acest sistem cu cablu flexibil/șină rigidă face parte dintr-un sistem de protecție individuală împotriva căderii. Este necesar ca toți utilizatorii să fie instruiți temeinic în privința instalării și a utilizării în condiții de siguranță a sistemului lor de protecție individuală împotriva căderilor. **Utilizarea inadecvată a acestui dispozitiv poate genera accidente grave sau decesul.** Pentru selectarea adecvată, utilizarea, instalarea, întreținerea și repararea produsului, vă rugăm să consultați aceste Instrucțiuni privind produsul, precum și toate recomandările producătorului, să consultați un supervisor sau să contactați Serviciul tehnic 3M.

- **Pentru a reduce riscurile asociate lucrului cu un sistem cu cablu flexibil/șină rigidă care, dacă nu sunt evitate, ar putea genera accidente grave sau decesul:**

- Inspectați toate componentele sistemului înainte de fiecare utilizare, cel puțin o dată pe an și după fiecare cădere. Inspectați în conformitate cu aceste Instrucțiuni privind produsul.
- Dacă inspecția identifică o problemă de siguranță sau o defecțiune a unei componente a sistemului, scoateți componenta din uz și distrugeți-o.
- orice sistem cu cablu flexibil/șină rigidă care a făcut obiectul unei opriri a căderii sau al unei forțe de impact trebuie scos imediat din uz și toate componentele trebuie inspectate de o persoană competentă înainte de a fi utilizate din nou;
- Nu vă conectați la sistem în timp ce acesta este în curs de instalare.
- asigurați-vă că sistemul este adecvat pentru numărul respectiv de utilizatori simultani;
- în timpul despachetării cablului, acesta se poate desfășura rapid. Utilizați procedurile de siguranță adecvate, precum și echipamentele necesare de protecție individuală în momentul în care despachetați cablul.
- Utilizați numai conectorii adecvați pentru a atașa la sistem hamul pentru corp. Nu folosiți dispozitive de conectare suplimentare.
- Folosiți numai cablul specificat și aprobat în Instrucțiunile privind produsul.
- Nu interveniți în acțiunea de blocare a cursei/manșonului dispozitivului. Manevrați dispozitivul numai pentru a-l atașa la și a-l detașa de la sistem.
- Asigurați-vă că mențineți în permanență trei puncte de contact în timp ce urcați. Consultați Instrucțiunile privind produsul, pentru mai multe informații referitoare la tehnica corectă de urcare.
- Asigurați-vă că sistemele/subsistemele de protecție împotriva căderilor care sunt asamblate din componente provenind de la diverși producători sunt compatibile și îndeplinesc cerințele standardelor aplicabile, inclusiv ANSI Z359 sau alte coduri, standarde sau cerințe aplicabile privind protecția împotriva căderilor. Consultați-vă întotdeauna cu o persoană competentă și/sau calificată înainte de a folosi aceste sisteme.

- **Pentru a reduce riscurile asociate lucrului la înălțime care, dacă nu sunt evitate, ar putea genera accidente grave sau decesul:**

- Asigurați-vă că starea dvs. de sănătate și condiția dvs. fizică vă permit să rezistați în condiții de siguranță la toate forțele asociate lucrului la înălțime. Consultați medicul dacă aveți întrebări despre capacitatea dvs. de a utiliza acest echipament.
- Nu depășiți niciodată capacitatea permisă a echipamentului dvs. de protecție împotriva căderii.
- Nu depășiți niciodată distanța maximă de cădere liberă a echipamentului dvs. de protecție împotriva căderii.
- Nu folosiți echipamente de protecție împotriva căderii care nu au trecut cu succes inspecția anterioară utilizării sau alte inspecții programate sau dacă aveți suspiciuni privind utilizarea sau adecvarea echipamentului pentru activitatea dvs. Pentru orice întrebări, adresați-vă Serviciului tehnic 3M.
- Unele combinații de subsisteme și componente pot interfera cu funcționarea acestui echipament. Folosiți numai elemente de conectare compatibile. Consultați-vă cu specialiștii 3M înainte de a folosi acest echipament în combinație cu alte componente sau subsisteme decât cele descrise în Instrucțiunile de utilizare.
- Aplicați măsuri de precauție suplimentare atunci când lucrați în preajma mașinilor aflate în mișcare (de ex. mecanismul superior de acționare a sondelor de petrol), în condiții de pericol electric sau chimic, la temperaturi extreme, în apropiere de gaze explozive sau toxice, lângă muchii ascuțite sau sub materiale suspendate care ar putea cădea pe dvs. sau pe echipamentul dvs. de protecție împotriva căderii.
- Utilizați dispozitive de protecție împotriva arcului electric sau împotriva temperaturilor ridicate atunci când lucrați în medii cu temperaturi foarte ridicate.
- Evitați suprafețele și obiectele care pot vătăma utilizatorul sau avaria echipamentul.
- Atunci când lucrați la înălțime, asigurați-vă că există un interval adecvat de siguranță la cădere.
- Nu modificați și nu transformați niciodată echipamentul dvs. de protecție împotriva căderii. Doar 3M sau persoanele autorizate în scris de 3M pot efectua reparații la acest echipament.
- Înainte de utilizarea unui echipament de protecție împotriva căderii, asigurați-vă că s-a instituit un plan de salvare, care permite salvarea promptă în cazul în care are loc o cădere.
- Dacă are loc o cădere, apelați imediat la serviciile de asistență medicală pentru persoana care a căzut.
- Nu folosiți o centură de corp pentru activitățile care necesită oprirea căderii. Folosiți numai o centură complexă de siguranță pentru întregul corp.
- Reduceți riscul de cădere prin balans lucrând cât mai aproape posibil sub punctul de ancorare.
- Dacă exersați utilizarea acestui dispozitiv, trebuie să utilizați un sistem secundar de protecție împotriva căderii, într-un mod care să nu expună persoana care exersează la un pericol de cădere neintenționat.
- Purtați întotdeauna echipamentele adecvate de protecție individuală atunci când instalați, utilizați sau inspectați dispozitivul/sistemul.

Înainte de instalarea și utilizarea acestui echipament, înregistrați informațiile de identificare a produsului de pe eticheta de identificare în „Jurnalul de inspecție și întreținere” (Tabelul 2) de la finalul acestui manual.

Asigurați-vă întotdeauna că utilizați cea mai recentă versiune revizuită a manualului de instrucțiuni 3M. Pentru manuale de instrucțiuni actualizate, accesați site-ul 3M sau contactați serviciile tehnice 3M.

### DESCRIEREA PRODUSULUI:

Figura 1 ilustrează Sistemul de siguranță pentru scări Lad-Saf™ DBI-SALA® 3M™. Sistemul de siguranță pentru scări Lad-Saf este conceput pentru a proteja un lucrător în eventualitatea unei căderi produse în timp ce acesta urcă scări fixe sau structuri similare. Sistemul Lad-Saf este format din consola superioară de fixare, cablul de sârmă, manșonul de cablu, ghidajul de cablu, eticheta de sistem și consola inferioară de fixare. Consola superioară (A) se fixează în partea de sus a scării și ancorează cablul (B) în coordonare cu consola inferioară (F), care se fixează în partea de jos a scării. Manșonul de cablu (C) se deplasează în sus și în jos pe cablu cu utilizatorul și se atașează la inelul D frontal al hamului utilizatorului. Ghidajul de cablu (D) asigură că cablul rămâne pe poziție. Eticheta de sistem (E) afișează informații importante despre siguranță și trebuie poziționată într-un punct pe sistem sau în apropierea acestuia. Eticheta de sistem este vizibilă ca eticheta „E” din Figura 10.

Figura 2 ilustrează componentele manșonului de cablu Lad-Saf X3. Manșonul de cablu este format din rola superioară, plăcuța laterală rotativă, mânerul, corpul manșonului, maneta de blocare, rola inferioară, carabina și cama de blocare. Rola superioară (A) fixează manșonul de cablu la cablu, în coordonare cu rola inferioară (F). Placa laterală rotativă (B) și mânerul (C) se deschid pentru a permite plasarea manșonului de cablu pe cablu. Corpul manșonului (D) constituie structura principală a manșonului de cablu. Maneta de blocare (E) blochează manșonul de cablu și previne deschiderea neintenționată a dispozitivului. Cama de blocare (H) menține manșonul de cablu în poziție atunci când este blocată. Carabina (G) se atașează la inelul D frontal al hamului utilizatorului.

Consultați Tabelul 1 pentru specificațiile componentelor manșonului și sistemului de siguranță cu cablu vertical Lad-Saf X3.

**Tabel 1 – Specificații**

Specificațiile sistemului:						
<b>Instalarea sistemului:</b>	<b>Instrucțiuni de instalare</b>		<b>Tipul de sistem</b>		<b>Descrierea sistemului</b>	
	5908282		Vertical		Sistem de siguranță cu cablu flexibil Lad-Saf	
	5903435		Vertical		Sistem de siguranță cu cablu flexibil Lad-Saf cu inel-D pivotant	
<b>Manșon de cablu Lad-Saf:</b>	<b>Număr element</b>	<b>Forța de activare</b>	<b>Lungimea maximă de extindere</b>	<b>Rezistența minimă la rupere</b>	<b>Greutate</b>	
	6160054	450 lbf (2,0 kN)	4,0 inci (102 mm)	3.600 lb (16 kN)	2.1 lb. (1,0 kg)	
<b>Capacitate:</b>	Fiecare utilizator trebuie să aibă o greutate combinată (îmbrăcăminte, scule etc.) între 88 lb și 310 lb. (între 40 kg și 140 kg). Sistemul Lad-Saf poate avea până la patru utilizatori simultan, dar fiecare manșon de siguranță cu cablu vertical Lad-Saf X3 poate avea un singur utilizator atașat. Pentru utilizatorii suplimentari, trebuie să fie utilizate manșoane de cablu suplimentare.					
<b>Cerințe privind ancorarea:</b>	<b>Număr de utilizatori</b>		<b>Puterea de ancorare</b>		<b>Număr de utilizatori</b>	<b>Puterea de ancorare</b>
	1		2.700 lbf (12 kN)		3	3.940 lbf (17,5 kN)
	2		3.320 lbf (14,8 kN)		4	4.560 lbf (20,3 kN)
<b>Temperatura de operare:</b>	Între -40 °F și 140 °F (între -40 °C și 60 °C)					
<b>Standarde:</b>	Manșonul și sistemul de siguranță cu cablu vertical Lad-Saf X3 au fost testate în conformitate cu standardele specificate pe coperta față a acestor Instrucțiuni de utilizare.					
<b>Specificații cablu:</b>	Manșonul de cablu Lad-Saf X3 poate fi utilizat doar cu un cablu cu miez solid cu diametru de 3/8 inci (9,5 mm). Este interzisă utilizarea cu orice alt cablu, aceasta putând cauza vătămări grave sau deces.					
	<b>Număr element</b>	<b>Descriere</b>	<b>Material</b>	<b>Rezistența minimă la rupere</b>	<b>Greutate</b>	
	6104XXX / CE 6134XXX	3/8 inci (9,5 mm), 1 x 7	Oțel galvanizat	15.400 lbf (68,4 kN)	0.27 lb. / ft. (0,41 kg / m)	
	6105XXX / CE 6135XXX	3/8 inci (9,5 mm), 1 x 7	Oțel inoxidabil	18.000 lbf (80 kN)	0.27 lb. / ft. (0,41 kg / m)	
	6106XXX / CE 6136XXX	3/8 inci (9,5 mm), 7 x 19	Oțel galvanizat	14.400 lbf (64 kN)	0.27 lb. / ft. (0,41 kg / m)	
	6107XXX / CE 6137XXX	3/8 inci (9,5 mm), 7 x 19	Oțel inoxidabil	12.000 lbf (53,3 kN)	0.27 lb. / ft. (0,41 kg / m)	

**Tabel 1 – Specificații**

**Specificații componente:**

**Sistem de siguranță pentru scări Lad-Saf:**

Referință Figura 1	Componentă	Materiale
Ⓐ	Consolă superioară de fixare	Oțel galvanizat sau oțel inoxidabil
Ⓑ	Cablu	Oțel galvanizat sau oțel inoxidabil
Ⓒ	Manșon de cablu	Oțel inoxidabil
Ⓓ	Ghidaj de cablu	Uretan
Ⓔ	Eticheta sistemului	Oțel inoxidabil
Ⓕ	Suport inferior	Oțel galvanizat sau oțel inoxidabil

**Manșon de cablu Lad-Saf:**

Referință Figura 2	Componentă	Materiale
Ⓐ	Rolă superioară	Nailon
Ⓑ	Placă laterală rotativă	Oțel inoxidabil
Ⓒ	Mâner	Oțel inoxidabil
Ⓓ	Corpul manșonului	Oțel inoxidabil
Ⓔ	Manetă de blocare	Oțel inoxidabil
Ⓕ	Rolă inferioară	Nailon
Ⓖ	Carabină	Oțel placat cu zinc
Ⓗ	Camă de blocare	Oțel inoxidabil

## 1.0 UTILIZAREA PRODUSULUI

- 1.1 SCOP:** Sistemul de siguranță pentru scări Lad-Saf™ este parte a unui sistem de protecție individuală împotriva căderilor. Atunci când este utilizat împreună cu Manșonul de cablu detașabil Lad-Saf™, Sistemul de siguranță pentru scări Lad-Saf este conceput pentru a proteja un lucrător în eventualitatea unei căderi produse în timp ce acesta urcă scări fixe sau structuri similare.

**Doar pentru oprirea căderii:** Nu folosiți sistemul de siguranță pentru scări Lad-Saf pentru alte scopuri decât oprirea căderilor.

- 1.2 STANDARDE:** Sistemul dvs. de siguranță pentru scări respectă standardele naționale și regionale identificate pe coperta față a acestor instrucțiuni. Dacă acest produs este revândut în afara țării inițiale de destinație, distribuitorul trebuie să pună la dispoziție aceste instrucțiuni în limba țării în care se va utiliza produsul.
- 1.3 SUPRAVEGHERE:** Utilizarea Sistemului de siguranță pentru scări Lad-Saf trebuie supravegheată de o persoană competentă<sup>1</sup>. Instalarea Sistemului de siguranță pentru scări Lad-Saf trebuie supravegheată de o persoană calificată<sup>2</sup>.
- 1.4 INSTRUIRE:** Sistemul de siguranță pentru scări Lad-Saf trebuie instalat și utilizat de persoane instruite în ceea ce privește utilizarea corectă. Acest manual va fi utilizat ca parte din programul de instruire a angajaților, conform standardelor naționale, regionale sau locale. Este responsabilitatea instalatorilor acestui echipament să se asigure că sunt familiarizați cu aceste instrucțiuni, că sunt instruiți cu privire la îngrijirea și utilizarea corespunzătoare a acestui echipament și că sunt conștienți în ceea ce privește caracteristicile de funcționare, limitele de aplicabilitate și consecințele utilizării incorecte.
- 1.5 PLAN DE SALVARE:** Atunci când se utilizează acest echipament și se conectează unul sau mai multe subsisteme, angajatorul trebuie să dețină un plan de salvare și să aibă la îndemână mijloace pentru implementarea și comunicarea planului respectiv utilizatorilor, persoanelor autorizate<sup>3</sup> și salvatori<sup>4</sup>. Se recomandă prezența la fața locului a unei echipe de salvare instruite. Membrii echipei trebuie să dispună de echipamentul și tehnicile necesare pentru a efectua operațiunea de salvare cu succes. Cursurile de instruire trebuie să fie asigurate în mod periodic pentru a asigura competența salvatorilor.
- 1.6 FRECVENȚA INSPECȚIILOR:** Sistemul de siguranță pentru scări va fi inspectat de către utilizator înainte de fiecare utilizare și, suplimentar, de către o persoană competentă, alta decât utilizatorul, la intervale nu mai mari de un an.<sup>5</sup> Procedurile de inspecție sunt descrise în „Jurnalul de inspecție și întreținere”. Rezultatele fiecărei inspecții efectuate de persoana competentă trebuie înregistrate pe copii ale „Jurnalului de inspecție și întreținere”.
- 1.7 DUPĂ O CĂDERE:** În cazul în care Sistemul Lad-Saf a fost supus forțelor de oprire a unei căderi, acesta va fi imediat scos din uz și marcat cu claritate: „NU UTILIZAȚI”. Manșonul și sistemul de siguranță cu cablu Lad-Saf trebuie să fie apoi distruse sau trimise la 3M pentru înlocuire.

## 2.0 CERINȚE PRIVIND SISTEMUL

- 2.1 ANCORARE:** Cerințele de ancorare diferă în funcție de utilizarea sistemului de protecție împotriva căderilor. Structura pe care sistemul de siguranță pentru scări este plasat sau montat trebuie să respecte specificațiile de ancorare prevăzute în Tabelul 1.
- 2.2 PERICOLE:** Utilizarea acestui echipament în zone cu pericole ecologice poate impune măsuri de precauție suplimentare pentru a preveni vătămarea utilizatorului sau deteriorarea echipamentului. Pericolele pot include, fără limitare: temperaturi ridicate, substanțe chimice, medii corozive, cabluri electrice de înaltă tensiune, gaze explozive sau toxice, utilaje mobile, margini ascuțite, sau materiale suspendate care pot cădea sau atinge utilizatorul sau sistemul individual de oprire a căderii.
- 2.3 COMPATIBILITATE CLIMB ASSIST (ASISTENȚĂ LA URCARE):** Nu folosiți asistența la urcare Powered Climb Assist (PCA) cu un sistem de oprire a căderilor la urcarea scărilor 3M (CLFAS), inclusiv sistemul de linie a vieții verticală Lad-Saf și manșoanele de cablu detașabile Lad-Saf X2, X3 sau X3 +, cu excepția cazului în care PCA a fost verificat de 3M ca fiind compatibil cu CLFAS 3M. Nerespectarea acestui avertisment ar putea face ca căderea utilizatorului să nu fie oprită în siguranță în cazul căderii de la înălțime dacă se utilizează sisteme PCA și CLFAS incompatibile. Pentru orice întrebări, contactați serviciul tehnic 3M la 3MFallProtectionTech@mmm.com.

*Utilizarea sistemelor Climb Assist incompatibile cu sistemele verticale 3M poate duce la vătămări grave sau deces.*

- 2.4 COMPATIBILITATEA COMPONENTELOR:** echipamentul 3M este conceput pentru a fi utilizat exclusiv împreună cu componentele și subsistemele 3M aprobate. Substituirile sau înlocuirile realizate cu subsisteme sau componente neaprobate pot afecta compatibilitatea echipamentului și siguranța și fiabilitatea întregului sistem.
- 2.5 COMPATIBILITATEA CONECTORILOR:** Conectorii sunt considerați compatibili cu elementele de conectare atunci când aceștia au fost concepuți să funcționeze împreună, astfel încât dimensiunile și formele lor să nu determine deschiderea accidentală a mecanismelor de închidere ale acestora, indiferent de modul în care vor ajunge să fie orientate. Contactați 3M dacă aveți întrebări cu privire la compatibilitate.

Conectorii (cârligele, carabinele și inelele-D) trebuie să poată să susțină cel puțin 5.000 lbf (22,2 kN). Conectorii trebuie să fie compatibili cu elementul de ancorare sau cu alte componente ale sistemului. Nu utilizați echipamente care nu sunt compatibile. Conectorii incompatibili se pot desprinde în mod accidental (consultați Figura 4). Conectorii trebuie să fie compatibili ca dimensiune, formă și rezistență. Dacă elementul de conectare, de care este prins un cârlig sau o carabină, este subdimensionat sau cu formă neregulată, poate apărea o situație în care elementul de conectare aplică o forță asupra închizătorii cârligului sau a carabinei (A). Această forță poate duce la deschiderea închizătorii (B), permițând cârligului sau carabinei să se desprindă din punctul de conectare (C).

ANSI Z359 și OSHA. impun cârlige auto-blocante și carabine.

**1 Persoană competentă:** Persoana care este în măsură să identifice pericolele existente și predictibile în zona din împrejurimi sau condițiile de muncă necorespunzătoare, insalubre, periculoase sau riscante pentru angajați și care este autorizată să ia măsuri corective prompte pentru eliminarea acestora.

**2 Persoană calificată:** Persoana care deține o diplomă sau un certificat sau are un statut profesional recunoscut sau care, prin cunoștințe, pregătire și experiență extinse, și-a demonstrat cu succes capacitatea de a rezolva problemele legate de sistemele de protecție împotriva căderilor și de salvare, în măsura cerută de OSHA sau de alte reglementări federale, de stat și locale aplicabile.

**3 Persoană autorizată:** O persoană desemnată de angajator pentru efectuarea atribuțiilor sale într-un loc în care persoana va fi expusă unui pericol de cădere.

**4 Salvator:** Persoana sau persoanele, alta/alte decât subiectul operațiunii de salvare, care efectuează o salvare asistată cu ajutorul unui sistem de salvare.

**5 Frecvența inspecțiilor:** Condițiile dificile de lucru (mediu dur de lucru, utilizare îndelungată etc.) pot impune sporirea frecvenței verificărilor realizate de persoana competentă.

**2.6 EFECTUAREA CONEXIUNILOR:** Cârligele și carabinele utilizate cu acest echipament trebuie să fie auto-blocante. Asigurați-vă că toate elementele de conectare sunt compatibile ca dimensiune, formă și rezistență. Nu utilizați echipamente care nu sunt compatibile. Asigurați-vă că toți conectorii sunt complet închiși și blocați.

Conectorii 3M (cârligele și carabinele) sunt concepuți pentru a fi utilizați numai în conformitate cu instrucțiunile de utilizare specificate pentru fiecare produs. Consultați Figura 5 pentru exemple de conectori neadecvați. Nu conectați cârligele și carabinele:

- A. la un inel D la care este conectat un alt conector;
- B. într-un mod care ar putea duce la exercitarea unei sarcini pe dispozitivul de închidere. Cârligele cu gât larg nu vor fi conectate la inele D de dimensiune standard sau obiecte similare care ar determina o sarcină pe închizător în cazul rotirii cârligului sau a inelului D; cu excepția cazului în care cârligul este conform, fiind dotat cu un închizător de 3.600 lb (16 kN). Verificați marcajul de pe cârlig pentru a vedea dacă este corespunzător utilizării dvs.
- C. Într-o cuplare falsă, în care elementele care ies în afara cârligului sau a carabinei agață punctele de ancorare și fără confirmare vizuală, aceasta părând să fie perfect cuplată în punctul de ancorare.
- D. între ele;
- E. direct de sistemul de chingi sau de coarda din frânghie sau de tirant (cu excepția cazului în care instrucțiunile producătorului permit în mod specific o astfel de conectare atât pentru coardă, cât și pentru conector);
- F. de orice obiect care are o formă sau o dimensiune de așa natură încât cârligul sau carabina să nu se blocheze în poziția închis sau să existe posibilitatea de ieșire;
- G. într-o modalitate care nu permite conectorului să se alinieze în mod corect în timp ce este sub sarcină.

### 3.0 INSTALARE

Pentru mai multe informații privind procedurile de instalare a sistemului Lad-Saf, consultați Instrucțiunile de instalare a produsului. Consultați Instrucțiunile de utilizare 5908282 sau Instrucțiunile de utilizare 5903435 pentru mai multe informații.

- 3.1 PLANIFICARE:** Planificați-vă utilizarea sistemului de siguranță pentru scări Lad-Saf înainte de a începe lucrul. Luați în considerare toți factorii care vă pot afecta siguranța înainte, în timpul și după o cădere. Țineți cont de toate cerințele, limitările și specificațiile stabilite în Secțiunea 2 și Tabelul 1.
- Asigurați-vă că sistemul este proiectat pentru numărul necesar de utilizatori.
  - Există pericole asociate cu conectarea și deconectarea de la sistem. Utilizați un sistem secundar de oprire a căderii. Asigurați-vă că sunt disponibile puncte de ancorare adecvate, platforme de aterizare sau alte mijloace în momentul conectării și deconectării, pentru a permite tranziția în condiții de siguranță la și de la sistem.
  - Este necesar un interval de siguranță la cădere de minimum 7,0 ft (2,0 m) între picioarele utilizatorului și suprafața de dedesubt. Utilizatorul nu poate fi protejat împotriva lovirii de sol sau aterizării pentru prima parte de 7,0 ft (2,0 m) de urcare sau pe ultima parte de 7,0 ft (2,0 m) de coborâre. Folosiți proceduri de urcare adecvate (de exemplu, mențineți 3 puncte de contact cu mâinile și picioarele) atunci când urcați sau coborâți pe orice parte a scării în lipsa protecției oferite de sistemul Lad-Saf™.
  - Utilizați procedurile de siguranță adecvate atunci când vă cățărați. Nu transportați unelte sau echipamente în mână. Păstrați-vă mâinile libere pentru cățărare. Asigurați obiectele pe care le transportați pentru a evita scăparea lor pe alpinștii de mai jos. Cățărați-vă conform capacității dumneavoastră. Distanțele mari de parcurs pot necesita mai multe opriri în timpul urcării sau a coborârii, pentru a evita epuizarea. Folosiți echipament de poziționare de lucru adecvat pentru pauzele de odihnă. Nu vă urcați în condiții de vânt puternic sau vreme rea.
  - Asigurați-vă că o singură persoană se cațără între ghidajele cablului.
- 3.2 CONECTAREA MANȘONULUI DE CABLU LA CABLUL PORTANT:** Manșonul de siguranță cu cablu vertical Lad-Saf X3 trebuie conectat la un sistem de siguranță pentru scări Lad-Saf 3M pentru a fi utilizat. Consultați Figura 7 pentru referință. Pentru a conecta manșonul de cablu Lad-Saf X3 la cablul portant al sistemului Lad-Saf:
1. **Poziționați manșonul astfel încât săgeata „sus” marcată pe acesta (I) să fie îndreptată în sens ascendent.**
  2. **Rotiți maneta de blocare (E) în poziția „deblocat”.** Figura 3 prezintă pozițiile „blocat” (A) și „deblocat” (B) ale manetei de blocare. Maneta de blocare se poate acționa de pe ambele părți ale manșonului de cablu detașabil, atât cu mâna stângă, cât și cu mâna dreaptă.
  3. **Trageți înapoi placa laterală rotativă (B), în poziția cea mai îndepărtată.** După ce placa laterală rotativă este rotită în poziția cea mai îndepărtată, maneta de blocare (E) poate fi eliberată. Cama de blocare (H) va fi complet întinsă.
  4. **Rotiți mânerul (C) până în poziția complet verticală.** Acest lucru va permite camei de blocare să se retragă pentru ca manșonul să poată fi montat pe cablu.
  5. **Țineți manșonul în poziție verticală și introduceți cablul (J) prin fanta de pe partea laterală a manșonului, printr-o mișcare de ridicare în sus.** Poziționați cablul în nișa manșonului. Eliberați mânerul (C), placa laterală rotativă (B) și maneta de blocare (E) pentru a bloca manșonul pe cablu. **Înainte de utilizare, asigurați-vă că maneta de blocare (E) este în poziția „blocat”.**
- 3,3 CONECTAREA MANȘONULUI DE CABLU LA HAM:** Legătura dintre manșon și hamul de siguranță complex pentru întregul corp se poate face înainte sau după ce manșonul de cablu a fost instalat pe sistemul Lad-Saf. Se recomandă folosirea unui sistem secundar de protecție împotriva căderii atunci când vă conectați la sau deconectați de la sistemul Lad-Saf. Manipularea manșonului în timpul urcării sau coborârii expune utilizatorul la risc de cădere. Sistemul Lad-Saf trebuie să aibă un unghi maxim de 15° de la verticală în orice moment în timpul utilizării.
- Nu utilizați alte dispozitive de conectare și nu combinați dispozitive (de exemplu, coardă) cu conectorul furnizat cu manșonul de cablu. Utilizați întotdeauna conectorul carabinei furnizat împreună cu manșonul de cablu pe perioada folosirii. Nu le înlocuiți cu alte elemente de conectare.
- **LA URCARE:** Pentru a urca pe structură, urcați menținând simultan trei puncte de contact în orice moment (cu mâinile și picioarele). Manșonul detașabil pentru cablu Lad-Saf X3 va urma lucrătorul care urcă. Cablul portant este tras afară din ghidaje atunci când le întâlnește. **Nu manevrați și nu scoateți manșonul de pe cablul purtător la trecerea peste ghidajele de cablu sau dacă manșonul se blochează.**
  - **LA COBORÂRE:** Pentru a coborî de pe structură, coborâți menținând simultan trei puncte de contact în orice moment (cu mâinile și picioarele). Lăsați manșonul detașabil pentru cablu Lad-Saf X3 să „conducă” lucrătorul care coboară. Coborârea într-o poziție incorectă (de exemplu, înclinat excesiv pe spate sau într-un mod haotic) poate duce la blocarea manșonului pe cablul portant. În cazul în care manșonul se blochează, urcați puțin pentru a elibera manșonul și a putea continua coborârea de pe structură. Reintroduceți cablul portant în ghidaje după trecerea de fiecare dintre acestea. **Nu manevrați și nu scoateți manșonul de pe cablul portant la trecerea peste ghidajele de cablu sau dacă manșonul se blochează.**
  - **DECONNECTAREA:** La finalizarea urcării, deconectați manșonul de cablu de la sistem. Consultați Figura 2 pentru referințe privind componentele.
    1. Scoateți manșonul de pe cablu rotind maneta de blocare (E).
    2. Trageți înapoi placa laterală (B) și pivotați mânerul (C) în poziție complet verticală.
    3. Acum, manșonul poate fi scos de pe cablu și depozitat corespunzător.
- 4.0 UTILIZARE**
- 4.1 ÎNAINTE DE FIECARE UTILIZARE:** Verificați dacă zona dvs. de lucru și sistemul individual de oprire a căderii (PFAS) îndeplinesc toate criteriile prevăzute în Secțiunea 2 și dacă un plan oficial de salvare este în vigoare. Efectuați inspecția sistemului Lad-Saf conform punctelor de inspecție pentru „Utilizator” stabilite în „Jurnalul de inspecție și întreținere” (Tabelul 2). În cazul în care inspecția indică o situație nesigură sau defectuoasă, nu utilizați sistemul. Scoateți imediat sistemul din uz și marcați clar cu „NU UTILIZAȚI”. Manșonul și sistemul de siguranță cu cablu vertical Lad-Saf trebuie să fie apoi distruse sau trimise la 3M pentru înlocuire.
- 4.2 CONECTAREA SISTEMULUI:** Sistemul Lad-Saf trebuie utilizat cu un ham de siguranță complex pentru întregul corp. Hamul de siguranță complex pentru întregul corp respectă ANSI Z359.11, CSA Z259.10, EN 361 sau alte standarde naționale, regionale sau locale aplicabile. Pentru montarea corectă a hamului de siguranță complex pentru întregul corp, consultați instrucțiunile producătorului. Pentru a vă conecta la hamul de siguranță pentru întregul corp, conectați carabina sistemului Lad-Saf la inelul D frontal (A) al hamului de siguranță. Este interzisă utilizarea cu orice alt conector sau inel D pe hamul de siguranță complex pentru întregul corp.



*Standardele OSHA 1910.29 și OSHA 1926.1053 menționează că lungimea legăturii dintre cablul de susținere și punctul de prindere nu trebuie să depășească 9 inci (23 cm).*

## 5.0 INSPECȚIE

- 5.1 FRECVENȚA INSPECȚIILOR:** Sistemul Lad-Saf trebuie inspectat la intervalele definite în Secțiunea 1. Procedurile de inspecție sunt descrise în „Jurnalul de inspecție și întreținere” (Tabelul 2). Inspectați toate celelalte componente ale sistemului de protecție împotriva căderii în conformitate cu frecvențele și procedurile definite în instrucțiunile producătorului.
- 5.2 DEFECTE:** În cazul în care inspecția indică o stare de nesiguranță sau defectuoasă sau dacă apare vreo îndoială cu privire la starea sistemului, scoateți imediat sistemul Lad-Saf din uz și marcați clar cu „NU UTILIZAȚI”. Mașonul și sistemul de siguranță cu cablu vertical Lad-Saf trebuie să fie apoi distruse sau trimise la 3M pentru înlocuire. Nu încercați să reparați sistemul.
- 5.3 DURATA DE VIAȚĂ A PRODUSULUI:** Durata de funcționare a sistemului Lad-Saf este determinată de condițiile de lucru și de întreținere. Atât timp cât produsul îndeplinește criteriile de inspecție, acesta poate rămâne în uz.

## 6.0 ÎNTREȚINERE, SERVICE ȘI DEPOZITARE

- 6.1 CURĂȚAREA SISTEMULUI:** Consultați secțiunea 5.0 pentru informații privind problemele de întreținere legate de inspecții. În cazul în care cablul portant devine foarte murdar de ulei, vaselină, vopsea sau alte substanțe, curățați-l cu apă caldă cu săpun. Ștergeți cablul cu o cârpă curată și uscată. Nu forțați uscarea cu căldură. Nu utilizați substanțe chimice acide sau caustice, care ar putea deteriora cablul.

*Procedurile suplimentare de întreținere și reparații trebuie efectuate de către un centru de asistență autorizat. Autorizarea trebuie să fie făcută în scris.*

- 6.2 CURĂȚAREA MAȘONULUI DE CABLU:** Un mașon de siguranță cu cablu vertical Lad-Saf X3 murdar poate fi curățat urmând procedura:
1. Amestecați patru părți apă caldă cu o parte soluție delicată de curățare (de exemplu, Simple Green sau o soluție similară).
  2. Scufundați mașonul de cablu în soluție și înmuiați întregul mașon de cablu în amestec timp de 2-3 ore.
  3. Scoateți mașonul de cablu din soluție și clătiți cu apă caldă cel puțin 1 minut. Asigurați-vă că eliminați excesul de murdărie.
  4. Lăsați cablul să se usuce timp de 24 de ore înainte de utilizare. Se acceptă folosirea aerului rece, suflat.
  5. Consultați Figura 2 pentru referință. Aplicați o cantitate mică de lubrifiant pe punctele de pivotare (E) sau la baza plăcii laterale (B).
  6. Efectuați o inspecție înainte de utilizare, după cum este specificat în Secțiunea 5.3. Verificați să nu existe reziduuri interne, ceea ce ar putea afecta funcționarea mașonului de cablu.
- 6.3 DEPOZITARE ȘI TRANSPORT:** Depozitați mașonul de siguranță cu cablu vertical Lad-Saf X3 într-un mediu răcoros, uscat, curat și ferit de lumina directă a soarelui. Evitați zonele în care există vapori de substanțe chimice. După o depozitare îndelungată, inspectați amănunțit mașonul.

Transportați mașonul de cablu Lad-Saf într-un recipient pentru a-l proteja împotriva tăieturilor, a umidității sau a luminii ultraviolete. Evitați atmosferele corozive, supraîncălzite sau refrigerate.

- 6.4 SERVICE:** Doar 3M sau persoanele autorizate în scris de către 3M pot efectua reparații la acest echipament. Dacă mașonul și sistemul de siguranță cu cablu vertical Lad-Saf au fost supuse forței căderii sau dacă inspecția indică condiții nesigure sau defectuoase, scoateți imediat sistemul din uz și marcați clar cu „NU UTILIZAȚI”. Mașonul și sistemul de siguranță cu cablu vertical Lad-Saf trebuie să fie apoi distruse sau trimise la 3M pentru înlocuire.

## 7.0 ETICHETA RFID

- 7.1 LOCALIZARE:** Produsul 3M care constituie subiectul acestor instrucțiuni de utilizare este echipat cu o etichetă de identificare a frecvenței radio (RFID). Etichetele RFID pot fi utilizate în coordonare cu un scanner de etichete RFID pentru înregistrarea rezultatelor inspecției produsului. Consultați Figura 8 pentru localizarea etichetei dvs. RFID.
- 7.2 ELIMINARE:** Înainte de a elimina acest produs, îndepărtați eticheta RFID și eliminați/reciclați produsul în conformitate cu reglementările locale. Pentru informații suplimentare privind îndepărtarea etichetei RFID, vizitați site-ul web de mai jos.



Nu eliminați produsul dvs. ca deșeu municipal nesortat. Simbolul pubelei cu roți barată cu două linii în formă de X indică faptul că toate EEE (echipamentele electrice și electronice) trebuie eliminate conform legislației locale prin intermediul sistemelor de retur și colectare disponibile. Vă rugăm să contactați dealerul sau reprezentantul 3M local pentru informații suplimentare.

Pentru mai multe informații, vizitați site-ul nostru web: <http://www.3M.com/FallProtection/RFID>



## 8.0 ETICHETE ȘI MARCAJE

**8.1 ETICHETE:** Figura 9 ilustrează pozițiile etichetelor de pe sistemul de siguranță pentru scări Lad-Saf. Figura 10 ilustrează fiecare etichetă în detaliu. Etichetele fără o locație menționată pe sistem trebuie poziționate într-o locație din apropierea sistemului Lad-Saf. Informațiile de pe fiecare etichetă sunt următoarele:

<b>A</b>	A) Numărul modelului manșonului de cablu B) Numărul de serie C) Declarație de avertizare - Urmați toate instrucțiunile de utilizare. D) Citiți toate instrucțiunile pentru utilizator. E) Maxim un utilizator. F) Standard aplicabil G) Detaliile organismului notificat H) Cerințele privind greutatea utilizatorului
<b>B</b>	A) Orientarea „în sus” a manșonului de cablu pentru utilizare.
<b>C</b>	A) Distanța maximă permisă între cablul sistemului și punctul de prindere al hamului de siguranță este de 9,0 inci (23 cm). B) Nu folosiți manșonul de cablu cu o coardă. Nu modificați sistemul în niciun fel.
<b>D</b>	Cod de identificare/Număr lot (AALLSSTT): AA = ultimele două cifre ale anului de fabricație. LL = luna de fabricație. SS = săptămâna anului de fabricație. TT = exclusiv pentru utilizare internă de către 3M.
<b>E</b>	1) Data instalării 2) Instalat de 3) Cerințe de ancorare 4) Număr maxim de utilizatori pe sistem 5) Lungimea sistemului 6) Data fabricației 7) Data inspecției 8) Numărul de serie 9) Avertismentele sistemului 10) Tipul cablului și matricea de compatibilitate a manșoanelor împreună cu certificarea standardelor. 11) Etichetă RFID (consultați Secțiunea 7.0)

**Tabelul 2 – Jurnal de inspecție și întreținere**

<b>Data inspecției:</b>		<b>Inspectat de:</b>	
<b>Componentă:</b>	<b>Inspecție:</b> (Consultați Secțiunea 2 pentru <i>Frecvența de inspecție</i> )	<b>Utilizator</b>	<b>Persoană competentă</b>
Manșon de cablu (Figura 2)	Verificați mânerul (C) să nu aibă îndoituri, fisuri și deformări. Toate dispozitivele de fixare trebuie să fie bine atașate. Funcționarea mânerului și a sabotului cablului trebuie să fie liberă și uniformă. Arcurile trebuie să fie bine fixate și să aibă suficientă forță pentru a trage mânerul în jos. Mânerul acționează, de asemenea, ca un amortizor de șoc și indicator de cădere. Mânerul va fi deformat dacă a fost folosit pentru oprirea unei căderi. Figura 11.3 prezintă un exemplu de mâner care nu a fost utilizat pentru oprirea căderii (A) și un mâner care a fost utilizat pentru oprirea unei căderi și care este deformat (B). În cazul în care mânerul este deformat mai mult de $A = 1/2$ inci (12,7 mm) Nu îl utilizați. Manșonul trebuie scos din uz.	<input type="checkbox"/>	<input type="checkbox"/>
	Inspectați maneta de blocare (E) pentru a verifica funcționarea uniformă, asigurându-vă că revine în poziția „blocat” atunci când este eliberată.	<input type="checkbox"/>	<input type="checkbox"/>
	Verificați uzura camei de blocare (H). Asigurați-vă că nu există nicio deteriorare a camei.	<input type="checkbox"/>	<input type="checkbox"/>
	Inspectați cama de blocare (H), prin menținerea manșonului în poziție verticală cu mânerul (C) în sus și agitați manșonul în sus și în jos pentru a simula o cădere. Sabotul trebuie să pivoteze liber.	<input type="checkbox"/>	<input type="checkbox"/>
	Inspectați cama de blocare (H), ținând manșonul orizontal cu mânerul (C) în sus și așezând manșonul pe partea din spate pe o suprafață plană, cu eticheta Lad-Saf X3 cu fața în sus. Cama trebuie să pivoteze complet în sus, spre partea superioară a manșonului.	<input type="checkbox"/>	<input type="checkbox"/>
	Inspectați funcționarea plăcii laterale (B), trăgând-o înapoi pentru a încerca deschiderea fantei pentru cablu. Aceasta nu trebuie să se rotească. În cazul în care se rotește fără a fi nevoie să rotiți maneta de blocare (E), scoateți manșonul din uz.	<input type="checkbox"/>	<input type="checkbox"/>
	Inspectați întregul dispozitiv pentru urme de coroziune.	<input type="checkbox"/>	<input type="checkbox"/>
Consolă superioară de fixare (Figura 11.2)	Inspectați instalarea adecvată în conformitate cu Instrucțiunile de instalare a sistemelor verticale de siguranță cu cablu flexibil Lad-Saf™ și manualul Manualul 3M pentru protecție împotriva căderilor nr. 5908282 sau nr. 5903435.	<input type="checkbox"/>	<input type="checkbox"/>
	Asigurați-vă că nu există zone deteriorate sau vizibil corodate. Căutați fisuri, îndoituri sau zone uzate care pot afecta rezistența sau funcționarea sistemului. Inspectați sudurile. Căutați suduri fisurate sau sparte, care ar putea afecta puterea de susținere. În cazul în care descoperiți defecte, înlocuiți piesele.	<input type="checkbox"/>	<input type="checkbox"/>
	Asigurați-vă că nu există șuruburi slăbite sau lipsă, dintre cele care fixează suportul superior pe structură (șuruburi, plăci de fixare, șuruburi în formă de U). În cazul în care există elemente de fixare slăbite, strângeți-le din nou la nivelurile de cuplu enumerate în Instrucțiunile de instalare livrate odată cu Sistemul de siguranță cu cablu flexibil Lad-Saf.	<input type="checkbox"/>	<input type="checkbox"/>
	Inspectați placa superioară pentru deformare. Spațiul liber va fi de minimum 0,20 inch (5 mm) în punctul A.	<input type="checkbox"/>	<input type="checkbox"/>
	Asigurați-vă că știftul mare (B) și știftul mic sunt în poziție. Asigurați-vă că dispozitivul de închidere al arcului (C) este în poziție.	<input type="checkbox"/>	<input type="checkbox"/>
	Inspectați ancora într-un singur punct (D) pentru depistarea fisurilor sau a semnelor de deteriorare. Inspectați cuplul de torsiune al dispozitivului de fixare. Asigurați-vă că șaiba are marcaje vizibile.	<input type="checkbox"/>	<input type="checkbox"/>
Suport inferior (Figura 11.1)	Inspectați instalarea adecvată în conformitate cu Instrucțiunile de instalare a sistemelor verticale de siguranță cu cablu flexibil Lad-Saf™ și manualul Manualul 3M pentru protecție împotriva căderilor nr. 5908282 sau nr. 5903435.	<input type="checkbox"/>	<input type="checkbox"/>
	Asigurați-vă că nu există zone deteriorate sau corodate. Căutați fisuri, îndoituri sau zone uzate care pot afecta rezistența sau funcționarea sistemului. În cazul în care descoperiți defecte, înlocuiți piesele.	<input type="checkbox"/>	<input type="checkbox"/>
	Asigurați-vă că nu există șuruburi slăbite sau lipsă, dintre cele care fixează consola inferioară pe structură. În cazul în care există elemente de fixare slăbite, strângeți-le din nou la nivelurile de cuplu menționate în Instrucțiunile de instalare livrate odată cu Sistemul de siguranță cu cablu flexibil pentru scări Lad-Saf.	<input type="checkbox"/>	<input type="checkbox"/>
	Verificați ansamblul tirantului. Asigurați-vă că brida fixează ferm cablul. Verificați cuplul de strângere al bridelor; cuplu la 35 ft-lb (47 N-m). În cazul în care descoperiți defecte, înlocuiți șuruburile sau strângeți din nou.	<input type="checkbox"/>	<input type="checkbox"/>

**Tabelul 2 – Jurnal de inspecție și întreținere**

<b>Data inspecției:</b>		<b>Inspectat de:</b>	
<b>Componentă:</b>	<b>Inspecție:</b> (Consultați Secțiunea 2 pentru <i>Frecvența de inspecție</i> )	<b>Utilizator</b>	<b>Persoană competentă</b>
Ghidaje de cablu (Figura 1)	Verificați ghidajele de cablu pentru a identifica eventualele deteriorări. Căutați urme de uzură sau deteriorări ale garniturilor din uretan. Ghidajele de cablu trebuie să rețină cablul și să prevină contactul acestuia cu scara/structura. Ghidajele de cablu trebuie poziționate la aproximativ 20-40 ft. (6-12 m) de-a lungul cablului portant sau mai aproape, dacă este necesar. În cazul în care descoperiți defecte, înlocuiți piesele.	<input type="checkbox"/>	<input type="checkbox"/>
	Verificați elementele de fixare a ghidajului de cablu. Elementele de fixare trebuie să rețină ghidajul de cablu fix pe poziție. Strângeți, după cum este necesar.	<input type="checkbox"/>	<input type="checkbox"/>
Cablul (Figura 1)	Verificați cablul, căutând urme de coroziune, noduri sau deteriorări care vor afecta rezistența sa și vor împiedica deplasarea manșonului pe acesta. Dacă există creștături sau noduri pe cablul de scară, acesta trebuie inspectat de către o persoană competentă înainte de utilizare. Inspectați cablul, căutând semne de abraziune date de frecarea de scară sau structură. În cazul în care descoperiți defecte, înlocuiți cablul.	<input type="checkbox"/>	<input type="checkbox"/>
	Inspectați dacă tensiunea este adecvată. Șanțul trebuie să fie expus deasupra șablonului de jos (consultați detaliul „E”, Figura 11.1) Nu ar trebui să fie posibil să se tragă de tirant în jos cu mâna. Cablul trebuie să fie suficient de întins pentru a nu intra în contact cu scara/structura. Retensionați cablul, dacă este necesar. Nu tensionați sistemul în exces.	<input type="checkbox"/>	<input type="checkbox"/>
Etichete (Figura 9)	Asigurați-vă că toate etichetele sunt prezente și complet lizibile.	<input type="checkbox"/>	<input type="checkbox"/>
PFAS și alte echipamente	Sistemul individual suplimentar de oprire a căderii (PFAS) (hamuri, dispozitive autoretractabile etc.), care este folosit cu sistemul de ancorare trebuie instalat și verificat conform instrucțiunilor producătorului.	<input type="checkbox"/>	<input type="checkbox"/>
Structura	Verificați dacă structura la care este atașat sistemul respectă cerințele de rezistență din Tabelul 1 în toate direcțiile posibile ale sarcinii.	<input type="checkbox"/>	<input type="checkbox"/>

<b>Număr/numere de serie:</b>	<b>Data achiziționării:</b>
<b>Număr (numere) model:</b>	<b>Data primei utilizări:</b>

<b>A acțiune corectivă/Întreținere:</b>	Aprobat de:	Data următoarei inspecții:
	Data:	
<b>A acțiune corectivă/Întreținere:</b>	Aprobat de:	Data următoarei inspecții:
	Data:	
<b>A acțiune corectivă/Întreținere:</b>	Aprobat de:	Data următoarei inspecții:
	Data:	
<b>A acțiune corectivă/Întreținere:</b>	Aprobat de:	Data următoarei inspecții:
	Data:	
<b>A acțiune corectivă/Întreținere:</b>	Aprobat de:	Data următoarei inspecții:
	Data:	
<b>A acțiune corectivă/Întreținere:</b>	Aprobat de:	Data următoarei inspecții:
	Data:	
<b>A acțiune corectivă/Întreținere:</b>	Aprobat de:	Data următoarei inspecții:
	Data:	
<b>A acțiune corectivă/Întreținere:</b>	Aprobat de:	Data următoarei inspecții:
	Data:	
<b>A acțiune corectivă/Întreținere:</b>	Aprobat de:	Data următoarei inspecții:
	Data:	
<b>A acțiune corectivă/Întreținere:</b>	Aprobat de:	Data următoarei inspecții:
	Data:	

**Перед использованием данной вертикальной системы пользователи должны изучить, понять и соблюдать указания по технике безопасности, содержащиеся в данной инструкции. НЕСОБЛЮДЕНИЕ ИНСТРУКЦИЙ МОЖЕТ ПРИВЕСТИ К СЕРЬЕЗНЫМ ТРАВМАМ ИЛИ СМЕРТИ.**

**Эти инструкции должны быть предоставлены пользователю оборудования. Сохраните эту инструкцию для дальнейшего использования.**

## Назначение

Данная система для вертикального подъема предназначена для использования в комплекте с системой индивидуальной защиты от падения с высоты.

Любое другое использование, в том числе, помимо прочего, погрузочно-разгрузочные операции, мероприятия, связанные с досугом, деятельность, связанная со спортом, или другие виды деятельности, не описанные в Инструкции по эксплуатации, не одобрено компанией ЗМ, и может привести к серьезным травмам или летальному исходу.

Это средство предназначено для использования лицами, прошедшими обучение по его правильному применению на работе.

## **ВНИМАНИЕ!**

Эта система с гибким канатом/на жесткой анкерной линии является частью системы индивидуальной защиты от падения с высоты. Ожидается, что все пользователи будут полностью обучены безопасной установке и эксплуатации системы индивидуальной защиты от падения с высоты. **Неправильное использование этого устройства может привести к серьезным травмам или летальному исходу.** Для правильного подбора, эксплуатации, установки, технического обслуживания и ремонта, обратитесь к настоящим Инструкциям по эксплуатации и ко всем рекомендациям производителя, обратитесь к руководителю или в службу технической поддержки компании ЗМ.

- **Что необходимо делать, чтобы снизить риски, связанные с работой с системой с гибким канатом/на жесткой анкерной линии, которые, если их не избежать, могут привести к серьезным травмам или летальному исходу:**
  - Перед каждым использованием проверяйте все компоненты системы как минимум раз в год и после любого случая падения. Выполняйте проверку в соответствии с инструкцией по эксплуатации данного продукта.
  - Если во время проверки обнаружено дефектное или небезопасное состояние какого-либо компонента системы, то выведите данный компонент из эксплуатации и утилизируйте его.
  - Любую систему с гибким канатом/на жесткой анкерной линии, которая была подвержена остановке падения или ударному воздействию, необходимо незамедлительно вывести из эксплуатации, и компетентное лицо должно проверить все компоненты перед их повторным использованием.
  - Не присоединяйте ничего к системе во время ее установки.
  - Убедитесь, что система рассчитана на определенное количество одновременно работающих пользователей.
  - При распаковке канат может быстро размотаться. При разматывании каната соблюдайте соответствующие правила техники безопасности и используйте соответствующие средства индивидуальной защиты.
  - При подсоединении страховочной привязи к системе используйте только разрешенные соединительные элементы. Не используйте какие-либо дополнительные соединительные устройства.
  - Используйте только канат, указанный и утвержденный в Инструкции по эксплуатации.
  - Не препятствуйте функции блокировки средства защиты ползункового типа. Выполняйте манипуляции с устройством только для подсоединения и отсоединения от системы.
  - Во время подъема и спуска всегда сохраняйте три точки опоры. Для получения более подробных сведений о соответствующей технике подъема см. Инструкцию по эксплуатации.
  - Убедитесь в том, что системы/подсистемы защиты от падения с высоты, собранные из компонентов, изготовленных разными производителями, совместимы друг с другом и соответствуют требованиям действующих стандартов, включая ANSI Z359 или другие действующие нормы, стандарты или требования к системам защиты от падения с высоты. Перед использованием данных систем всегда консультируйтесь с компетентным лицом или квалифицированным специалистом.
- **Что необходимо делать, чтобы снизить риски, связанные с работой на высоте, которые, если их не избежать, могут привести к серьезным травмам или летальному исходу.**
  - Убедитесь, что ваше здоровье и физическое состояние позволяют безопасно выдерживать всю нагрузку, связанную с работой на высоте. Проконсультируйтесь со своим врачом, если у вас есть какие-либо вопросы относительно вашей способности использовать данное средство защиты.
  - Никогда не превышайте допустимую нагрузку своего средства защиты от падения с высоты.
  - Никогда не превышайте максимальное расстояние свободного падения своего средства защиты от падения с высоты.
  - Не используйте средство защиты от падения с высоты, если оно не прошло проверку перед использованием или другие плановые проверки, или если у вас есть сомнения относительно использования или пригодности этого средства защиты для конкретного варианта применения. При наличии каких-либо вопросов, обращайтесь в службу технической поддержки компании ЗМ.
  - Некоторые сочетания компонентов и подсистем могут препятствовать нормальной работе оборудования. Используйте только совместимые соединения. Перед использованием этого оборудования вместе с компонентами или подсистемами, не описанными в данной инструкции по эксплуатации, обращайтесь за консультацией в компанию ЗМ.
  - Соблюдайте дополнительные меры предосторожности при работе с движущимися механизмами (например, верхний силовой привод буровых вышек), при опасности поражения электрическим током, при экстремальных температурах, в присутствии опасных химических веществ, взрывчатых или токсичных газов, при наличии острых кромок, или при выполнении работ под материалами, расположенными над головой, которые могут упасть на вас или на ваше средство защиты от падения с высоты.
  - При работе в условиях высоких температур используйте устройства с защитой от электрической дуги или устройства, предназначенные для работы в условиях высоких температур.
  - Избегайте поверхностей и предметов, которые могут нанести вред пользователю или оборудованию.
  - Убедитесь в наличии достаточного запаса высоты при работе на высоте.
  - Никогда не модифицируйте и не вносите изменения в свои средства защиты от падения с высоты. Только компания ЗМ или организации, имеющие письменное разрешение от компании ЗМ, могут производить ремонт этого оборудования.
  - Перед использованием средств защиты от падения с высоты, убедитесь в наличии плана спасения, который позволяет быстро организовать спасательные работы в случае падения.
  - Если происходит падение с высоты, то немедленно организуйте врачебную помощь упавшему работнику.
  - Для остановки падения предохранительные пояса использовать не следует. Используйте только страховочную привязь.
  - Для снижения опасности маятникового эффекта при падении работайте непосредственно под точкой анкерного крепления или как можно ближе к ней.
  - Если это устройство используется с целью обучения, то необходимо использовать вторичную систему защиты от падения с высоты таким образом, чтобы не подвергать стажера непредусмотренной опасности падения с высоты.
  - Всегда используйте соответствующие средства индивидуальной защиты при установке, эксплуатации или проверке этого устройства или системы.

Перед установкой и использованием запишите идентификационную информацию об изделии, указанную на идентификационной этикетке, в журнал проверки и обслуживания (таблица 2) на обратной стороне этого руководства.

Всегда проверяйте и используйте последнюю версию инструкции по эксплуатации ЗМ. Посетите веб-сайт ЗМ или обратитесь в службу технической поддержки ЗМ для получения обновленных инструкций по эксплуатации.

### ОПИСАНИЕ ИЗДЕЛИЯ:

На рисунке 1 показана система защиты от падения при подъеме или спуске по вертикальным лестницам ЗМ™ DBI-SALA® Lad-Saf™. Система защиты от падения при подъеме или спуске по вертикальным лестницам Lad-Saf предназначена для защиты работника в случае падения при подъеме по стационарным лестницам или подобным конструкциям для подъема. Система Lad-Saf состоит из верхнего кронштейна, проволочного троса, муфты троса, направляющей троса, системной бирки и нижнего кронштейна. Верхний кронштейн (А) фиксируется в верхней части лестницы, трос (В) закрепляется нижним кронштейном (F), зафиксированном в нижней части лестницы. Муфта (С) перемещается вверх и вниз по тросу вместе с пользователем и прикрепляется к переднему D-образному кольцу привязи пользователя. Направляющая троса (D) удерживает трос на месте. На бирке системы (E) представлена важная информация по технике безопасности, поэтому она должна быть помещена в определенной точке на системе или рядом с ней. Бирка системы показана как этикетка E на рисунке 10.

На рисунке 2 показаны компоненты муфты троса Lad-Saf X3. Муфта троса состоит из верхнего ролика, поворотной боковой пластины, ручки, корпуса муфты, блокировочного рычага, нижнего ролика, карабина и фиксирующего кулачка. Верхний ролик (А) фиксирует муфту на тросе вместе с нижним роликом (F). Поворотная боковая пластина (В) и ручка (С) открываются, что позволяет разместить муфту на тросе. Корпус (D) составляет основную часть конструкции муфты троса. Блокировочный рычаг (E) блокирует муфту троса и предотвращает непреднамеренное открытие устройства. Фиксирующий кулачок (H) удерживает муфту троса на месте при блокировке. Карабин (G) прикрепляется к переднему D-образному кольцу на привязи пользователя.

В таблице 1 приведены технические характеристики компонентов вертикальной тросовой системы защиты от падения с блокирующей муфтой Lad-Saf X3.

**Таблица 1 – Технические характеристики**

Технические характеристики системы				
<b>Установка системы</b>	<b>Инструкции по установке</b>		<b>Тип системы</b>	<b>Описание системы</b>
	5908282		Вертикальная	Система защиты от падения с гибким тросом Lad-Saf
	5903435		Вертикальная	Система защиты от падения с гибким тросом и вертлюжным D-образным кольцом Lad-Saf
<b>Муфта троса Lad-Saf</b>	<b>Номер предмета</b>	<b>Сила активации</b>	<b>Максимальная длина размещения</b>	<b>Минимальная прочность на разрыв</b>
	6160054	2,0 кН (450 фунт-сил)	102 мм (4,0 дюйма)	16 кН (3600 фунт-сил)
<b>Максимальный вес пользователя</b>	Каждый пользователь должен иметь общий вес (в одежде, с инструментами и т. д.) от 40 до 140 кг (от 88 до 310 фунтов). С системой Lad-Saf могут одновременно работать до четырех пользователей, но к каждой блокирующей муфте вертикальной тросовой системы Lad-Saf X3 может быть подсоединен только один пользователь. Для подсоединения дополнительных пользователей необходимо использовать дополнительные муфты троса.			
<b>Требования к анкерному креплению</b>	<b>Количество пользователей</b>	<b>Прочность анкерного крепления</b>	<b>Количество пользователей</b>	<b>Прочность анкерного крепления</b>
	1	12 кН (2700 фунт-сил)	3	17,5 кН (3940 фунт-сил)
	2	14,8 кН (3320 фунт-сил)	4	20,3 кН (4560 фунт-сил)
<b>Рабочая температура</b>	от -40 °C до 60 °C (от -40 °F до 140 °F)			
<b>Стандарты</b>	Вертикальная тросовая система защиты от падения с блокирующей муфтой Lad-Saf X3 была протестирована в соответствии со стандартами, указанными на лицевой стороне обложки инструкции по эксплуатации.			
<b>Технические характеристики троса</b>	Муфта троса Lad-Saf X3 может использоваться только с цельным тросом диаметром 9,5 мм (3/8 дюйма). Использование с любым другим тросом запрещено и может привести к серьезным травмам или смерти.			
	<b>Номер предмета</b>	<b>Описание</b>	<b>Материал</b>	<b>Минимальная прочность на разрыв</b>
	6104XXX / CE 6134XXX	9,5 мм (3/8 дюйма), 1 x 7	Гальванизированная сталь	68,4 кН (15 400 фунт-сил)
	6105XXX / CE 6135XXX	9,5 мм (3/8 дюйма), 1 x 7	Нержавеющая сталь	80 кН (18 000 фунт-сил)
	6106XXX / CE 6136XXX	9,5 мм (3/8 дюйма), 7 x 19	Гальванизированная сталь	64 кН (14 400 фунт-сил)
6107XXX / CE 6137XXX	9,5 мм (3/8 дюйма), 7 x 19	Нержавеющая сталь	53,3 кН (12 000 фунт-сил)	
	<b>Вес</b>			
	0,41 кг / м (0,27 фунт-сила-фут)			
	0,41 кг / м (0,27 фунт-сила-фут)			
	0,41 кг / м (0,27 фунт-сила-фут)			
	0,41 кг / м (0,27 фунт-сила-фут)			

**Таблица 1 – Технические характеристики**

**Технические характеристики компонентов**

**Система защиты от падения при подъеме или спуске по вертикальным лестницам Lad-Saf**

Обозначения на рисунке 1	Компонент	Материалы
Ⓐ	Верхний кронштейн	Гальванизированная или нержавеющая сталь
Ⓑ	Трос	Гальванизированная или нержавеющая сталь
Ⓒ	Муфта троса	Нержавеющая сталь
Ⓓ	Направляющая троса	Уретан
Ⓔ	Системная метка	Нержавеющая сталь
Ⓕ	Нижний кронштейн	Гальванизированная или нержавеющая сталь

**Муфта троса Lad-Saf**

Обозначения на рисунке 2	Компонент	Материалы
Ⓐ	Верхний ролик	Нейлон
Ⓑ	Поворотная боковая пластина	Нержавеющая сталь
Ⓒ	Рукоятка	Нержавеющая сталь
Ⓓ	Корпус блокирующего устройства	Нержавеющая сталь
Ⓔ	Блокировочный рычаг	Нержавеющая сталь
Ⓕ	Нижний ролик	Нейлон
Ⓖ	Карабин	Оцинкованная сталь
Ⓗ	Фиксирующий кулачок	Нержавеющая сталь



## 1.0 ПРИМЕНЕНИЕ ИЗДЕЛИЯ

- 1.1 НАЗНАЧЕНИЕ:** Система защиты от падения при подъеме или спуске по вертикальным лестницам Lad-Saf™ представляет собой часть системы индивидуальной защиты от падения с высоты. При использовании со съемной муфтой троса Lad-Saf™ (продается отдельно) система защиты от падения при подъеме или спуске по вертикальным лестницам Lad-Saf предназначена для защиты работника в случае падения при подъеме по стационарным лестницам или подобным конструкциям для подъема.

**Только защита от падения:** Не используйте систему защиты от падения при подъеме или спуске по вертикальным лестницам Lad-Saf для каких-либо целей, кроме остановки падения.

- 1.2 СТАНДАРТЫ:** Система защиты от падения при подъеме или спуске по вертикальным лестницам соответствует требованиям государственных или региональных стандартов, перечисленных на обложке этой инструкции. При перепродаже этого изделия за пределы страны его производства посредник должен предоставить эти инструкции на языке страны, в которой будет использоваться изделие.
- 1.3 КОНТРОЛЬ:** Эксплуатация системы защиты от падения при подъеме или спуске по вертикальным лестницам Lad-Saf должна осуществляться под надзором компетентного лица<sup>1</sup>. Установка системы защиты от падения при подъеме или спуске по вертикальным лестницам Lad-Saf должна осуществляться под надзором квалифицированного специалиста<sup>2</sup>.
- 1.4 ОБУЧЕНИЕ:** К установке и эксплуатации системы защиты от падения при подъеме или спуске по вертикальным лестницам Lad-Saf допускаются лица, прошедшие обучение правильному применению системы. Настоящая инструкция по эксплуатации предназначена для использования в программе обучения персонала в соответствии с национальными, региональными и местными стандартами. Лица, осуществляющие установку этого средства защиты, обязаны изучить настоящие инструкции, пройти соответствующее обучение правилам его надлежащей эксплуатации и ухода за ним, а также знать рабочие характеристики, ограничения применения и последствия неправильного использования этого средства защиты.
- 1.5 ПЛАН СПАСЕНИЯ:** Работодатель, использующий это снаряжение и соединяющиеся дополнительные системы, обязан иметь план спасения и средства осуществления и доведения этого плана до сведения пользователей, уполномоченных лиц<sup>3</sup> или спасателей<sup>4</sup>. Рекомендуется содержать на рабочей площадке подготовленную спасательную команду. Спасательная команда должна обладать всеми необходимыми навыками и оборудованием для успешного проведения спасательных работ. Для поддержания должной квалификации спасателей следует регулярно проводить учебные мероприятия.
- 1.6 ПЕРИОДИЧНОСТЬ ПРОВЕРКИ:** Пользователь обязан выполнить проверку системы защиты от падения при подъеме или спуске по вертикальным лестницам Lad-Saf непосредственно перед использованием. Кроме этого, другое компетентное лицо обязано проводить проверку изделия не реже одного раза в год<sup>5</sup>. Порядок проверки изложен в *Журнале проверки и обслуживания*. Результаты каждой проверки средства защиты компетентным лицом заносятся в копии *Журнала проверки и обслуживания*.
- 1.7 ИСПОЛЬЗОВАНИЕ ПОСЛЕ ПАДЕНИЯ:** Если система Lad-Saf подверглась воздействию сил, возникающих в результате остановки падения, ее необходимо немедленно вывести из эксплуатации и сделать на ней четкую пометку НЕ ИСПОЛЬЗОВАТЬ. Затем блокирующую муфту троса и систему Lad-Saf необходимо уничтожить или отправить в ЗМ для замены.

## 2.0 ТРЕБОВАНИЯ К СИСТЕМЕ

- 2.1 АНКЕРНЫЕ КРЕПЛЕНИЯ:** Требования к анкерному креплению отличаются в зависимости от применения системы защиты от падения с высоты. Конструкция, на которой размещается или к которой крепится система защиты от падения при подъеме или спуске по вертикальным лестницам, должна соответствовать техническим характеристикам анкерных креплений, изложенным в таблице 1.
- 2.2 ОПАСНЫЕ УСЛОВИЯ:** При использовании данного снаряжения в присутствии вредных факторов окружающей среды следует принять дополнительные меры предосторожности во избежание производственного травматизма и порчи снаряжения. К опасным могут, среди прочего, относиться следующие условия: высокая температура, сильный холод, едкие химикаты, коррозионные среды, высоковольтные линии, взрывчатые или токсичные газы, движущиеся механизмы, острые края или высоко расположенные материалы, которые могут упасть и задеть пользователя или индивидуальную страховочную систему.
- 2.3 СОВМЕСТИМОСТЬ С СИСТЕМОЙ ПОМОЩИ ПРИ ПОДЪЕМЕ:** Не используйте приводную систему помощи при подъеме (ПСПП) с системой защиты от падения при подъеме или спуске по вертикальным лестницам ЗМ, в том числе с системой с вертикальной анкерной линией Lad-Saf и съемными муфтами троса Lad-Saf X2, X3 или X3 +, если компанией ЗМ не подтверждено, что ПСПП совместима с системой защиты от падения при подъеме или спуске по вертикальным лестницам ЗМ. Игнорирование этого предупреждения может привести к тому, что падение пользователя не будет безопасным образом остановлено в случае падения с высоты при использовании несовместимых систем ПСПП и защиты от падения при подъеме или спуске по вертикальным лестницам. При наличии каких-либо вопросов обращайтесь в службу технической поддержки компании ЗМ по адресу [ZMFallProtectionTech@mmm.com](mailto:ZMFallProtectionTech@mmm.com).

**Использование систем помощи при подъеме, несовместимых с системами с вертикальными анкерными линиями ЗМ, может привести к серьезным травмам или смерти.**

- 2.4 СОВМЕСТИМОСТЬ КОМПОНЕНТОВ:** Средства защиты ЗМ предназначены для использования только с компонентами и подсистемами, одобренными компанией ЗМ. Замены с использованием непроверенных компонентов или подсистем могут подвергать риску совместимость оборудования и влиять на безопасность и надежность системы в целом.
- 2.5 СОВМЕСТИМОСТЬ СОЕДИНИТЕЛЬНЫХ ЭЛЕМЕНТОВ:** Соединительные элементы считаются совместимыми с соединяемыми элементами, если все они предназначены для совместной работы таким образом, что их размеры и формы не вызывают случайного открытия их запирающих механизмов независимо от их положения. При наличии вопросов о совместимости обращайтесь в компанию ЗМ. Соединительные элементы (крюки, карабины и D-образные кольца) должны выдерживать нагрузку не менее 22,2 кН (5000 фунт-сил). Соединительные элементы должны быть совместимы с анкерным креплением или другими компонентами системы. Не используйте несовместимое снаряжение. Несовместимые соединительные элементы могут случайно отсоединиться (см. рисунок 4). Соединительные элементы должны быть совместимыми по размеру, форме и прочности. Если соединительный элемент, к которому прикреплен крюк-карабин или карабин, имеет малый размер или неправильную форму, может возникнуть ситуация, когда усилие от соединительного элемента будет приложено к затвору крюка-карабина или карабина (А). Это усилие может привести к открытию затвора (В), в результате чего крюк-карабин или карабин может отсоединиться от точки соединения (С).

В соответствии с требованиями ANSI Z359.1 и OSHA необходимо использовать автоматические крюки с защелками и карабины.

- 1 Компетентное лицо** — лицо, способное определить существующие или прогнозируемые риски в среде или рабочих условиях, не соответствующих санитарным нормам или представляющих опасность для рабочих, и обладающее полномочиями для принятия быстрых корректирующих мер по устранению этих рисков.
- 2 Квалифицированный специалист** — лицо, имеющее признанную квалификацию, сертификат или профессиональную репутацию, прошедшее соответствующее обучение, обладающее обширными знаниями и опытом и успешно продемонстрировавшее свою способность решать проблемы, связанные с системами защиты от падения и спасения, в той степени, в которой это требуется в соответствии со стандартом OSHA или другими нормативными требованиями, применимыми на федеральном, государственном и местном уровне.
- 3 Уполномоченное лицо** — лицо, назначенное работодателем для выполнения обязанностей на месте, где существует опасность падения.
- 4 Спасатель** — лицо или лица (не включая объект спасения), выполняющие спасательную операцию с помощью спасательной системы.
- 5 Периодичность проверки:** При экстремальных условиях (суровые климатические условия, длительное использование и т. п.) могут потребоваться более частые проведения проверок компетентным лицом.

**2.6 ВЫПОЛНЕНИЕ СОЕДИНЕНИЙ:** Со средствами защиты можно использовать только самозапирающиеся крюки-карабины и карабины. Убедитесь, что все соединения совместимы по размеру, форме и усилию. Не используйте несовместимое снаряжение. Убедитесь, что все соединительные элементы полностью совместимы, закрыты и заблокированы.

Поставляемые компанией ЗМ соединительные элементы (крюки-карабины и карабины) предназначены для применения только в соответствии с инструкциями по эксплуатации каждого изделия. Недопустимые соединения см. на рисунке 5. Крюки-карабины и карабины не следует соединять указанными ниже способами.

- A. С D-образным кольцом, к которому присоединен другой соединительный элемент.
- B. Таким образом, чтобы создавать нагрузку на затвор. Крюки-карабины с большим зевом не следует соединять с D-образными соединительными кольцами стандартного размера и аналогичными элементами, поскольку в случае прокручивания или поворота крюка или кольца это приведет к возникновению нагрузки на затвор. Исключение составляют крюки-карабины, способные выдерживать нагрузку в 3600 фунтов (16 кН). Проверьте маркировку своего крюка-карабина, чтобы убедиться в том, что он подходит для ваших условий эксплуатации.
- C. С ложной фиксацией, когда выступающие части крюка-карабина или карабина зацепляются за крепление и на первый взгляд кажется, что они нормально зафиксированы в точке анкерного крепления.
- D. Друг с другом.
- E. Непосредственно к ленточному или веревочному стропу или чокерным подсоединением (если в инструкции производителя не указана явно допустимость такого соединения).
- F. С любым предметом, который имеет такую форму или размер, что крюк-карабин или карабин не закроется и не заблокируется или может произойти открытие.
- G. Таким образом, который препятствует правильному ориентированию соединительного элемента под нагрузкой.

### 3.0 УСТАНОВКА

Для получения дополнительной информации о процедурах установки системы Lad-Saf см. инструкцию по установке изделия. Дополнительную информацию см. в инструкции по применению IFU 5908282 или IFU 5903435.

**3.1 ПЛАНИРОВАНИЕ:** Запланируйте использование системы защиты от падения при подъеме или спуске по вертикальным лестницам Lad-Saf перед началом работы. Учитывайте все факторы, которые могут влиять на безопасность до, во время и после падения. Учитывайте все требования, ограничения и технические характеристики, приведенные в разделе 2 и в таблице 1.

- Убедитесь, что система рассчитана на требуемое количество пользователей.
- Существуют опасные условия, связанные с подсоединением к системе и отсоединением от нее. Используйте дополнительное снаряжение для остановки падения. Обеспечьте доступность соответствующих точек анкерного крепления, лестничных площадок или других средств в местах подсоединения и отсоединения для безопасных переходов в систему и из нее.
- Минимальный требуемый запас высоты от ног пользователя до поверхности под ним составляет 2 м (7 футов). Пользователь может быть не защищен от удара о землю или приземления во время первых 2 м (7 футов) подъема или последних 2 м (7 футов) спуска. Соблюдайте правила альпинизма (например, сохраняйте три точки опоры руками и ногами) при подъеме или спуске на любом участке лестницы без системы защиты Lad-Saf™.
- При подъеме соблюдайте соответствующие меры безопасности. Не носите инструменты или оборудование в руках. При подъеме ваши руки должны быть свободными. Надежно закрепите предметы, которые необходимо перенести, во избежание их падения на лиц, поднимающихся за вами. Поднимайтесь с учетом ваших навыков. В случае длительного подъема или спуска может потребоваться несколько остановок для отдыха во избежание потери сил. Используйте подходящее оборудование для рабочего позиционирования для отдыха. **Избегайте** подъема при сильном ветре или плохой погоде.
- Убедитесь, что между направляющими троса находится только один работник.

**3.2 ПОДСОЕДИНЕНИЕ МУФТЫ К НЕСУЩЕМУ ТРОСУ:** Блокирующую муфту вертикальной тросовой системы Lad-Saf X3 необходимо подсоединить к используемой системе защиты от падения при подъеме или спуске по вертикальным лестницам 3M Lad-Saf. Для справки см. рисунок 7. Для подсоединения муфты троса Lad-Saf X3 к несущему тросу системы Lad-Saf выполните указанные ниже действия:

1. **Расположите муфту (I) так, чтобы стрелка, указывающая вверх, на ней была повернута в направлении подъема.**
2. **Поверните блокировочный рычаг (E) в разблокированное положение.** На рис. 3 показан рычаг в заблокированном (A) и разблокированном (B) положениях. Блокировочный рычаг находится с обеих сторон съемной муфты троса, что позволяет поворачивать его как правой, так и левой рукой.
3. **Оттяните поворотную боковую пластину (B) до крайнего положения.** Когда поворотная боковая пластина достигнет крайнего положения, блокировочный рычаг (E) можно отпустить. Фиксирующий кулачок (H) будет полностью выдвинут.
4. **Поверните ручку (C) в полностью вертикальное положение.** При этом фиксирующий кулачок выпадет, и блокирующая муфта будет установлена на тросе.
5. **Удерживайте муфту вертикально и вставьте трос (J) через паз со стороны муфты движением вверх.** Поместите трос в углубление на муфте. Отпустите ручку (C), поворотную боковую пластину (B) и блокировочный рычаг (E) для блокировки муфты на тросе. **Перед использованием убедитесь в том, что блокировочный рычаг (E) находится в заблокированном положении.**

**3.3 ПОДСОЕДИНЕНИЕ МУФТЫ ТРОСА К ПРИВЯЗИ:** Подсоединение муфты троса к страховочной привязи можно выполнять до или после установки муфты на систему Lad-Saf. Рекомендуется использовать вторичную систему защиты от падения с высоты при подсоединении к системе Lad-Saf или отсоединении от нее. Манипуляции с муфтой при подъеме или спуске создают опасные условия и могут привести к падению пользователя. Во время использования система Lad-Saf не должна отклоняться от вертикали более чем на 15°.

Не используйте другие соединительные устройства и не объединяйте устройства (например, строп) с соединительным элементом, поставляемым с муфтой троса. Всегда используйте соединительный элемент (карабин), поставляемый вместе с муфтой троса. Запрещается использовать иные соединительные элементы.

- **ПОДЪЕМ:** Поднимаясь по конструкции, обязательно сохраняйте три точки опоры (руками и ногами). Съемная муфта троса Lad-Saf X3 перемещается вслед за поднимающимся пользователем. Несущий трос выбрасывается из направляющих при столкновении с ними. **Не перемещайте и не снимайте муфту с несущего троса при его протягивании через направляющие или в случае блокировки муфты.**
- **СПУСК:** Спускаясь с конструкции, продвигайтесь плавно и обязательно сохраняйте три точки опоры (руками и ногами). Позвольте съемной муфте троса Lad-Saf X3 «вести» вас вниз. Спуск в ином положении (например, с излишним наклоном назад или хаотично) вызовет блокировку муфты на несущем тросе. Чтобы разблокировать муфту в случае ее блокировки, немного поднимитесь, а затем продолжайте спуск по конструкции. Снова заправьте несущий трос в направляющие после прохождения каждой направляющей троса. **Не перемещайте и не снимайте муфту с несущего троса при его протягивании через направляющие или в случае блокировки муфты.**
- **ОТСОЕДИНЕНИЕ:** После завершения подъема отсоедините муфту троса от системы. Компоненты см. на рисунке 2.
  1. Снимите муфту с троса, повернув блокировочный рычаг (E).
  2. Оттяните боковую пластину (B) и поверните ручку (C) в вертикальное положение.
  3. После этого муфту можно снять с троса и сложить для хранения.

### 4.0 ИСПОЛЬЗОВАНИЕ

**4.1 ПЕРЕД КАЖДЫМ ИСПОЛЬЗОВАНИЕМ:** Убедитесь, что ваше рабочее место и индивидуальная страховочная система (ИСС) отвечают всем критериям, указанным в разделе 2, и в наличии имеется действующий официальный план спасения. Проверьте систему Lad-Saf в соответствии с пользовательскими точками проверки, которые определены в Журнале проверки и обслуживания (таблица 2). Не используйте систему, если в ходе проверки обнаружено ее небезопасное или неисправное состояние. Немедленно выведите систему из эксплуатации и сделайте на ней четкую пометку «НЕ ИСПОЛЬЗОВАТЬ». Затем вертикальную тросовую систему защиты от падения с блокирующей муфтой Lad-Saf необходимо уничтожить или отправить в компанию 3M для замены.

**4.2 СОЕДИНЕНИЯ СИСТЕМЫ:** Систему Lad-Saf необходимо использовать со страховочной привязью. Страховочная привязь должна соответствовать стандартам ANSI 2359.11, CSA Z259.10, EN 361 или другим применимым государственным, региональным или местным стандартам. Для правильного крепления страховочной привязи см. инструкции производителя. Для подсоединения к страховочной привязи вставьте карабин системы Lad-Saf в переднее D-образное кольцо (A) вашей страховочной привязи. Запрещается использование с любым другим соединительным элементом или D-образным кольцом на страховочной привязи.

В соответствии со стандартами OSHA 1910.29 и OSHA 1926.1053 расстояние между несущим тросом и точкой крепления не должно превышать 23 см (9 дюймов).

## 5.0 ПРОВЕРКА

- 5.1 ПЕРИОДИЧНОСТЬ ПРОВЕРКИ:** Периодичность проверки системы Lad-Saf регламентирована в разделе 1. Порядок проверки изложен в *Журнале проверки и обслуживания (таблица 2)*. Периодичность и порядок проверок всех остальных компонентов системы защиты от падения с высоты регламентируется инструкциями производителей этих компонентов.
- 5.2 НЕИСПРАВНОСТИ:** Если в результате проверки будет выявлено небезопасное или неисправное состояние или возникнут какие-либо сомнения относительно состояния системы, немедленно выведите систему Lad-Saf из эксплуатации и сделайте на ней четкую пометку «НЕ ИСПОЛЬЗОВАТЬ». Затем вертикальную тросовую систему защиты от падения с блокирующей муфтой Lad-Saf необходимо уничтожить или отправить в компанию ЗМ для замены. Не пытайтесь отремонтировать систему самостоятельно.
- 5.3 СРОК СЛУЖБЫ ИЗДЕЛИЯ:** Срок службы системы Lad-Saf зависит от условий эксплуатации и качества технического обслуживания. Изделия могут находиться в эксплуатации до тех пор, пока они соответствуют требованиям проверки.

## 6.0 ТЕХНИЧЕСКОЕ ОБСЛУЖИВАНИЕ, РЕМОНТ, ХРАНЕНИЕ

- 6.1 ОЧИСТКА СИСТЕМЫ:** Сведения относительно технического обслуживания в связи с проверкой см. в разделе 5.0. Если несущий трос сильно загрязнен маслом, смазкой, краской или другими веществами, очистите его теплой водой с мылом. Протрите трос чистой и сухой тканью. Не ускоряйте сушку с помощью нагревания. Не используйте кислоты или другие едкие химикаты, которые могут повредить трос.

*Дополнительное техническое обслуживание и ремонт необходимо выполнять в авторизованном сервисном центре. Сервисный центр должен иметь письменное разрешение компании ЗМ.*

- 6.2 ОЧИСТКА МУФТЫ ТРОСА:** Загрязненную муфту вертикальной тросовой системы Lad-Saf X3 можно очистить, выполнив описанную далее процедуру:
1. Смешайте четыре части теплой воды с одной частью мягкого моющего раствора (например, Simple Green или аналогичного раствора).
  2. Полностью погрузите муфту троса в раствор и оставьте на 2–3 часа.
  3. Выньте муфту троса из раствора и промойте теплой водой в течение минимум одной минуты. Обязательно удалите все остатки грязи.
  4. Перед использованием просушите трос на воздухе в течение 24 часов. Допустимо использовать холодный нагнетаемый воздух.
  5. Для справки см. рисунок 2. Нанесите небольшое количество смазки на поворотные элементы (E) или на основание боковой пластины (B).
  6. Выполните проверку перед использованием, как указано в разделе 5.3. Убедитесь, что внутри не осталось мусора, который может повлиять на работу муфты троса.
- 6.3 ХРАНЕНИЕ И ТРАНСПОРТИРОВКА:** Храните муфту вертикальной тросовой системы Lad-Saf X3 в чистом, прохладном и сухом месте, защищенном от прямых солнечных лучей. Избегайте хранения в помещениях, где присутствуют пары химических веществ. После длительного хранения тщательно проверьте состояние муфты.
- Транспортировка муфты троса системы Lad-Saf осуществляется в упаковке. Это позволяет защитить ее от порезов, влаги и ультрафиолетовых лучей. Избегайте коррозионно-агрессивной и слишком горячей или холодной атмосферы.
- 6.4 РЕМОНТ:** Ремонт этого средства защиты могут осуществлять только компания ЗМ или лица, которым компания ЗМ выдала письменное разрешение. Если вертикальная тросовая система защиты от падения и блокирующая муфта Lad-Saf подверглись воздействию сил при падении или при проверке обнаружены небезопасное или неисправное состояние, немедленно выведите систему из эксплуатации и сделайте на ней четкую пометку «НЕ ИСПОЛЬЗОВАТЬ». Затем вертикальную тросовую систему защиты от падения с блокирующей муфтой Lad-Saf необходимо уничтожить или отправить в компанию ЗМ для замены.

## 7.0 RFID-МЕТКА

- 7.1 МЕСТОПОЛОЖЕНИЕ:** Изделие ЗМ, описанное в этой инструкции по эксплуатации, снабжено меткой радиочастотной идентификации (RFID). RFID-метки могут использоваться совместно со сканером RFID-меток для записи результатов проверки изделия. Местоположение RFID-метки см. на рисунке 8.
- 7.2 УТИЛИЗАЦИЯ:** Перед утилизацией этого изделия удалите RFID-метку, после чего утилизируйте в соответствии с местными нормами. Чтобы получить дополнительную информацию о том, как удалить RFID-метку, перейдите по ссылке на веб-сайт ниже.



Не утилизируйте изделие как несортированные коммунальные отходы. Символ перекрещенной мусорной корзины указывает на то, что все электрическое и электронное оборудование должно быть утилизировано в соответствии с местным законодательством через доступные системы возврата и сбора. За получением дополнительной информации обратитесь к своему дилеру или местному представителю компании ЗМ.

Дополнительную информацию см. на нашем веб-сайте: <http://www.3M.com/FallProtection/RFID>.



## 8.0 ЭТИКЕТКИ И МАРКИРОВКА

**8.1 ЭТИКЕТКИ:** На рисунке 9 показано расположение этикеток на системе защиты от падения при подъеме или спуске по вертикальным лестницам Lad-Saf. На рисунке 10 детально показана каждая этикетка. Этикетки без указания местоположения на системе должны размещаться рядом с системой Lad-Saf. Содержание всех этикеток приведено ниже:

<b>A</b>	A) Номер модели муфты троса. B) Серийный номер. C) Предупреждение: следуйте всем инструкциям по эксплуатации. D) Прочтите все инструкции по эксплуатации. E) Не более одного пользователя. F) Применимый стандарт. G) Сведения о нотифицированном органе. H) Требования к весу пользователя.
<b>B</b>	A) Муфта троса должна быть направлена вверх при использовании.
<b>C</b>	A) Максимально допустимое расстояние между точкой крепления страховочной привязи и тросом системы составляет 23 см (9 дюймов). B) Не используйте муфту троса со стропом. Запрещается модифицировать систему каким-либо образом.
<b>D</b>	Идентификатор и номер партии (ГГММННВВ): ГГ = последние две цифры года изготовления. ММ = месяц выпуска. НН = неделя года изготовления. ВВ = только для внутреннего использования ЗМ.
<b>E</b>	1) Дата установки. 2) Лицо, выполнившее установку. 3) Требования к анкерному креплению. 4) Максимальное количество пользователей системы. 5) Длина системы. 6) Дата изготовления. 7) Дата проверки. 8) Серийный номер. 9) Предупреждения о работе системы. 10) Матрица совместимости типов тросов и муфт с сертификацией по стандартам. 11) RFID-метка (см. раздел 7.0).

**Таблица 2. Журнал проверки и обслуживания**

Дата проведения проверки:		Проверку выполнил(-а):	
Компонент	Проверка: (см. раздел 2 Периодичность проверки)	Пользователь	Компетентное лицо
Муфта троса (рисунок 2)	Проверьте ручку (С) на отсутствие изгибов, трещин и деформаций. Все крепления должны быть надежно зафиксированы. Движение рукоятки и кулачка должно быть плавным и беспрепятственным. Пружины должны иметь достаточную прочность и силу, чтобы тянуть ручку вниз. Ручка также действует как амортизатор и индикатор падения. Ручка будет деформирована, если она использовалась для остановки падения. На рисунке 11.3 показаны примеры ручки, которая не использовалась для остановки падения (А), и ручки, которая использовалась для остановки падения и была деформирована (В). Если ручка деформирована более чем на А = 12,7 мм (1/2 дюйма), не используйте ее. Муфту необходимо вывести из эксплуатации.	<input type="checkbox"/>	<input type="checkbox"/>
	Проверьте блокировочный рычаг (Е) и убедитесь в том, что он плавно перемещается и при отпускании возвращается в заблокированное положение под действием пружины.	<input type="checkbox"/>	<input type="checkbox"/>
	Проверьте фиксирующий кулачок (Н) на предмет износа. Убедитесь, что кулачок не поврежден.	<input type="checkbox"/>	<input type="checkbox"/>
	Проверьте фиксирующий кулачок (Н), удерживая муфту вертикально, при этом ручка (С) должна быть в вертикальном положении. Потрясите муфту вверх и вниз для имитации падения. Кулачок должен свободно вращаться.	<input type="checkbox"/>	<input type="checkbox"/>
	Проверьте фиксирующий кулачок (Н), расположив муфту горизонтально, а ручку (С) вертикально и поместив муфту на заднюю сторону плоской поверхности этикеткой Lad-Saf ХЗ вверх. Кулачок должен свободно вращаться до верхней части муфты.	<input type="checkbox"/>	<input type="checkbox"/>
	Проверьте работу боковой пластины (В), оттянув ее назад, чтобы попытаться открыть паз для троса. Она не должна вращаться. Если она вращается без необходимости вращать блокировочный рычаг (Е), выведите муфту из эксплуатации.	<input type="checkbox"/>	<input type="checkbox"/>
	Проверьте устройство целиком и убедитесь в отсутствии признаков коррозии.	<input type="checkbox"/>	<input type="checkbox"/>
Верхний кронштейн (рисунок 11.2)	Проверьте правильность установки согласно инструкциям по установке вертикальных систем защиты от падения с гибким тросом Lad-Saf™, см. руководство по эксплуатации системы защиты от падения 3М № 5908282 или 5903435.	<input type="checkbox"/>	<input type="checkbox"/>
	Проверьте, нет ли видимых повреждений или коррозии. Убедитесь в отсутствии трещин, изломов или износа, способных влиять на прочность и работу системы. Осмотрите швы. Убедитесь в отсутствии разбитых швов или швов с трещинами, которые могут повлиять на прочность держателя. Замените дефектные части.	<input type="checkbox"/>	<input type="checkbox"/>
	Убедитесь в отсутствии ослабленных или отсутствующих крепежных изделий в креплении верхнего держателя к конструкции (болты, зажимные планки, U-образные болты). Если крепежные изделия ослаблены, повторно затяните до требуемого крутящего момента, указанного в Инструкциях по установке, предоставленных с вашей системой защиты от падения с гибким тросом Lad-Saf.	<input type="checkbox"/>	<input type="checkbox"/>
	Проверьте верхнюю пластину на отсутствие деформации. Зазор должен составлять 5 мм (0,20 дюйма) в положении А.	<input type="checkbox"/>	<input type="checkbox"/>
	Убедитесь, что большой штифт (В) и маленький штифт на месте. Убедитесь, что пружинный затвор (С) на месте.	<input type="checkbox"/>	<input type="checkbox"/>
	Проверьте одноточечное анкерное крепление (D) на отсутствие трещин или признаков повреждения. Проверьте момент затяжки крепежа. Убедитесь в том, что на шайбе имеется видимая маркировка.	<input type="checkbox"/>	<input type="checkbox"/>
Нижний кронштейн (рисунок 11.1)	Проверьте правильность установки согласно инструкциям по установке вертикальных систем защиты от падения с гибким тросом Lad-Saf™, см. руководство по эксплуатации системы защиты от падения 3М № 5908282 или 5903435.	<input type="checkbox"/>	<input type="checkbox"/>
	Проверьте, нет ли повреждений или коррозии. Убедитесь в отсутствии трещин, изломов или износа, способных влиять на прочность и работу системы. Замените дефектные части.	<input type="checkbox"/>	<input type="checkbox"/>
	Проверьте, не ослаблены ли и не отсутствуют ли элементы крепления нижнего кронштейна к конструкции. Если крепления ослаблены, повторно затяните до требуемого крутящего момента (см. инструкцию по установке, поставляемую в комплекте с системой защиты от падения при подъеме или спуске по вертикальным лестницам с гибким тросом Lad-Saf).	<input type="checkbox"/>	<input type="checkbox"/>
	Проверьте узел натяжного стержня. Убедитесь, что трос надежно закреплен хомутами. Проверьте крутящий момент на хомутах: он должен составлять 47 Н·м (35 фунт-сила-фут). Замените или повторно затяните в случае обнаружения неисправностей.	<input type="checkbox"/>	<input type="checkbox"/>



**Таблица 2. Журнал проверки и обслуживания**

Дата проведения проверки:		Проверку выполнил(-а):	
Компонент	Проверка: (см. раздел 2 Периодичность проверки)	Пользователь	Компетентное лицо
Направляющие каната (Рисунок 1)	Проверьте направляющие каната на отсутствие повреждений. Убедитесь в отсутствии износа или повреждения черного уретана. Направляющие троса должны удерживать трос и предотвращать соприкосновение троса с лестницей или другой конструкцией. Направляющие троса должны быть расположены на расстоянии приблизительно 6–12 м (20–40 футов) от несущего троса по всей длине (или ближе, если это необходимо). Замените дефектные части.	<input type="checkbox"/>	<input type="checkbox"/>
	Проверьте крепежные изделия направляющих каната. Крепежные изделия должны фиксировать положение направляющих каната. Затяните при необходимости.	<input type="checkbox"/>	<input type="checkbox"/>
Трос (Рисунок 1)	Выполните контроль каната с целью выявления коррозии, петель или повреждений, влияющих на прочность и препятствующих движению блокирующего устройства по канату. Если в тросе (канате) лестницы есть зазубрины или петли, его должно проверить компетентное лицо перед использованием. Убедитесь в отсутствии признаков истирания о лестницу или конструкцию. Замените канат в случае обнаружения дефектов.	<input type="checkbox"/>	<input type="checkbox"/>
	Проверьте натяжение. Над нижней опорной пластиной должен быть виден паз (см. выноску E на рисунке 11.1). Необходимо исключить возможность потянуть натяжной стержень вниз рукой. Трос должен иметь натяжение, достаточное для предотвращения соприкосновения с лестницей или другой конструкцией. При необходимости повторно натягивайте канат. Не перетягивайте систему.	<input type="checkbox"/>	<input type="checkbox"/>
Этикетки (рисунок 9)	Убедитесь в наличии всех этикеток и в их читабельности.	<input type="checkbox"/>	<input type="checkbox"/>
ИСС и прочие средства защиты	Дополнительные средства защиты для индивидуальной страховочной системы (ИСС) (привязь, СЗВТ и т. д.), которые используются с анкерной системой, необходимо установить и проверить в соответствии с инструкциями изготовителя.	<input type="checkbox"/>	<input type="checkbox"/>
Конструкция	Убедитесь, что конструкция, к которой крепится система, соответствует требованиям к прочности из таблицы 1 во всех возможных направлениях приложения нагрузки.	<input type="checkbox"/>	<input type="checkbox"/>

<b>Серийные номера:</b>	<b>Дата покупки:</b>
<b>Номер(-а) модели:</b>	<b>Дата первого использования:</b>

<b>Корректирующие действия / техническое обслуживание:</b>	Утвердил:	Дата следующей проверки:
	Дата:	
<b>Корректирующие действия / техническое обслуживание:</b>	Утвердил:	Дата следующей проверки:
	Дата:	
<b>Корректирующие действия / техническое обслуживание:</b>	Утвердил:	Дата следующей проверки:
	Дата:	
<b>Корректирующие действия / техническое обслуживание:</b>	Утвердил:	Дата следующей проверки:
	Дата:	
<b>Корректирующие действия / техническое обслуживание:</b>	Утвердил:	Дата следующей проверки:
	Дата:	
<b>Корректирующие действия / техническое обслуживание:</b>	Утвердил:	Дата следующей проверки:
	Дата:	
<b>Корректирующие действия / техническое обслуживание:</b>	Утвердил:	Дата следующей проверки:
	Дата:	
<b>Корректирующие действия / техническое обслуживание:</b>	Утвердил:	Дата следующей проверки:
	Дата:	
<b>Корректирующие действия / техническое обслуживание:</b>	Утвердил:	Дата следующей проверки:
	Дата:	
<b>Корректирующие действия / техническое обслуживание:</b>	Утвердил:	Дата следующей проверки:
	Дата:	
<b>Корректирующие действия / техническое обслуживание:</b>	Утвердил:	Дата следующей проверки:
	Дата:	



## INFORMACIÓN DE SEGURIDAD

**Lea, comprenda y acate toda la información de seguridad incluida en estas instrucciones antes de utilizar este sistema vertical. DE NO HACERLO, PUEDEN PRODUCIRSE LESIONES O LA MUERTE.**

**Estas instrucciones deben entregarse a los usuarios de este equipo. Conserve todas las instrucciones para consultas futuras.**

### Uso pretendido:

Este sistema vertical ha sido diseñado para utilizarse como parte de un sistema personal completo de protección contra caídas.

3M no aprueba su uso para ninguna otra aplicación, incluidas, entre otras, la manipulación de materiales, las actividades de recreación o relacionadas con el deporte u otras actividades no descritas en las Instrucciones del producto, ya que podrían ocasionarse lesiones graves o la muerte.

Este dispositivo debe ser utilizado únicamente por usuarios capacitados para aplicaciones en el lugar de trabajo.

## ADVERTENCIA

Este sistema de baranda rígida/cable flexible es parte de un sistema personal de protección contra caídas. Se prevé que todos los usuarios estén plenamente capacitados para instalar y utilizar con seguridad el sistema de protección contra caídas. **El uso incorrecto de este dispositivo puede ocasionar lesiones graves o la muerte.** Para la selección, el funcionamiento, la instalación, el mantenimiento y la reparación adecuados, consulte las Instrucciones del producto y todas las recomendaciones del fabricante, consulte a un supervisor o comuníquese con el Servicio Técnico de 3M.

- **Para reducir los riesgos asociados con el trabajo con un sistema de baranda rígida/cable flexible que, de no evitarse, podrían ocasionar lesiones graves o la muerte:**
  - Inspeccione todos los componentes del sistema antes de cada uso, al menos una vez por año y después de cualquier evento de caída. La inspección se debe realizar de acuerdo con las Instrucciones del producto.
  - Si la inspección revela condiciones inseguras o defectuosas en un componente del sistema, retire el componente de servicio y destrúyalo.
  - Cualquier sistema de baranda rígida/cable flexible que haya sido objeto de una detención de caídas o fuerza de impacto debe retirarse de inmediato del servicio y una persona competente debe inspeccionar todos los componentes antes de volver a utilizarlo.
  - No se conecte al sistema mientras está siendo instalado.
  - Asegúrese de que el sistema tenga la calificación correcta para el número de usuarios simultáneos.
  - Al desembalar el cable es posible que se desenrolle rápidamente. Lleve a cabo procedimientos de seguridad correctos y utilice un equipo de protección personal adecuado cuando desembale el cable.
  - Para conectar el arnés de cuerpo entero al sistema, use únicamente conectores aprobados. No use dispositivos de conexión adicionales.
  - Use únicamente el cable especificado y aprobado en las Instrucciones del producto.
  - No interfiera en la acción de bloqueo del dispositivo de mango/plataforma. Solo manipule el dispositivo para conectarlo y separarlo del sistema.
  - Mientras trepa, mantenga siempre tres puntos de contacto. Consulte las Instrucciones del producto para obtener más información sobre la técnica correcta para trepar.
  - Asegúrese de que los sistemas y sistemas secundarios de protección contra caídas ensamblados con componentes hechos por diferentes fabricantes sean compatibles y cumplan con los requisitos de las normas vigentes, entre ellas ANSI Z359 u otros códigos, normas o requisitos vigentes de protección contra caídas. Consulte siempre a una persona calificada o competente antes de usar estos sistemas.
- **Para reducir los riesgos asociados con el trabajo en altura que, en caso de no evitarse, podrían ocasionar lesiones graves o muerte:**
  - Asegúrese de que su estado de salud y su condición física le permitan tolerar con seguridad todas las fuerzas asociadas con el trabajo en altura. Consulte a su médico si tiene dudas acerca de su capacidad para utilizar este equipo.
  - Nunca exceda la capacidad permitida del equipo de protección contra caídas.
  - Nunca exceda la distancia máxima de caída libre del equipo de protección contra caídas.
  - No utilice ningún equipo de protección contra caídas que no haya aprobado las inspecciones anteriores al uso u otras inspecciones programadas o si tiene inquietudes acerca del uso o de la idoneidad del equipo para su aplicación. Comuníquese con los Servicios Técnicos de 3M si tiene preguntas.
  - Algunas combinaciones de sistemas secundarios y componentes pueden interferir en el funcionamiento de este equipo. Utilice solamente conexiones compatibles. Consulte con 3M antes de utilizar este equipo junto con componentes o sistemas secundarios distintos de aquellos descritos en las Instrucciones para el usuario.
  - Tome precauciones adicionales al trabajar cerca de maquinaria en movimiento (por ejemplo, el sistema de propulsión superior de una torre petrolera), si hay riesgos eléctricos, temperaturas elevadas, peligros químicos, gases tóxicos o explosivos, bordes filosos o materiales elevados que pudieran caer sobre el equipo de protección contra caídas.
  - Utilice dispositivos para arco eléctrico (Arc Flash) o trabajos en caliente (Hot Works) cuando trabaje en ambientes con temperaturas elevadas.
  - Evite superficies y objetos que podrían lesionar al usuario o dañar el equipo.
  - Asegúrese de que haya una separación de caída adecuada al trabajar en alturas.
  - Nunca modifique ni altere el equipo de protección contra caídas. Solo 3M o las entidades autorizadas por escrito por 3M pueden hacer reparaciones en el equipo.
  - Antes de usar el equipo de protección contra caídas, asegúrese de que se haya implementado un plan de rescate que permita el rescate inmediato en caso de producirse un incidente de caída.
  - Si se produce una caída, busque atención médica de inmediato para la persona accidentada.
  - No utilice un cinturón corporal para las aplicaciones de detención de caídas. Utilice únicamente un arnés de cuerpo entero.
  - Trabaje en un lugar situado lo más directamente posible por debajo del punto de anclaje para minimizar la posibilidad de caídas por balanceo.
  - Si está en capacitación con este equipo, debe utilizar un sistema secundario de protección contra caídas de forma tal que el aprendiz no esté expuesto a un riesgo de caída accidental.
  - Lleve puesto siempre un equipo de protección personal apropiado cuando instale, utilice o revise el dispositivo/sistema.

☑ Antes de instalar y utilizar este equipo, anote la información de identificación del producto, que figura en la etiqueta de identificación que se encuentra en el registro de inspección y mantenimiento (Tabla 2) en la parte posterior de este manual.

☑ Siempre asegúrese de estar utilizando la última versión de su manual de instrucciones de 3M. Visite el sitio web de 3M o comuníquese con el departamento de Servicios Técnicos de 3M para obtener manuales de instrucciones actualizados.

### DESCRIPCIÓN DEL PRODUCTO:

La Figura 1 ilustra el Sistema de seguridad para escaleras Lad-Saf™ DBI-SALA® de 3M™. El Sistema de seguridad para escaleras Lad-Saf está diseñado para proteger a un trabajador en caso de sufrir una caída mientras sube escaleras fijas o estructuras similares. El sistema Lad-Saf se compone del Soporte superior, un cable de alambre, el Mango del cable, la Guía del cable, la Etiqueta del sistema y el Soporte inferior. El Soporte superior (A) está asegurado en la parte superior de la escalera y ancla el Cable (B) en coordinación con el Soporte inferior (F), que está fijo en la parte inferior de dicha escalera. El Mango del cable (C) se mueve hacia arriba y hacia abajo del cable junto con el usuario y se conecta al anillo en D frontal del arnés del usuario. La Guía del cable (D) garantiza que el cable permanezca en su lugar. La Etiqueta del sistema (E) muestra información importante de seguridad y debe colocarse en un punto en o cerca del sistema. La Etiqueta del sistema es visible como la etiqueta "E" en la Figura 10.

La Figura 2 ilustra los componentes del Mango del cable Lad-Saf X3. El Mango del cable está compuesto por el Rodillo superior, la Placa lateral giratoria, el Asa, el Cuerpo del mango, la Palanca de bloqueo, el Rodillo inferior, el Mosquetón y la Leva de bloqueo. El Rodillo superior (A) fija el Mango del cable al cable en coordinación con el Rodillo inferior (F). La Placa lateral giratoria (B) y el Asa (C) se abren para permitir la colocación del Mango del cable en el cable. El Cuerpo del mango (D) constituye la estructura principal del Mango del cable. La Palanca de bloqueo (E) bloquea el Mango del cable y evita la apertura involuntaria del dispositivo. La Leva de bloqueo (H) mantiene el Mango del cable en su lugar cuando está bloqueada. El Mosquetón (G) se sujeta al anillo en D frontal del arnés del usuario.

Consulte la Tabla 1 para conocer las especificaciones de los componentes del Mango y el Sistema de seguridad de cable vertical Lad-Saf X3.

**Tabla 1 – Especificaciones**

Especificaciones del sistema:					
<b>Instalación del sistema:</b>	<b>Instrucciones de instalación</b>		<b>Tipo de sistema</b>		<b>Descripción del sistema</b>
	5908282		Vertical		Sistema de seguridad con cable flexible Lad-Saf
	5903435		Vertical		Sistema de seguridad con cable flexible Lad-Saf con anillo en D giratorio
<b>Mango del cable Lad-Saf:</b>	<b>Número de artículo</b>	<b>Fuerza de activación</b>	<b>Longitud máx. de despliegue</b>	<b>Resistencia a la rotura mínima</b>	<b>Peso</b>
	6160054	450 lbf (2,0 kN)	4,0 in (102 mm)	3600 lbf (16 kN)	2,1 lb (1,0 kg)
<b>Capacidad:</b>	Cada usuario debe tener un peso combinado (ropa, herramientas, etc.) de entre 88 lb y 310 lb (40 kg a 140 kg). El sistema Lad-Saf puede tener hasta cuatro usuarios simultáneos, pero cada Mango de seguridad de cable vertical Lad-Saf X3 puede tener solo un usuario conectado. Para proteger a más usuarios, se deben usar Mangos de cable adicionales.				
<b>Requisitos para el anclaje:</b>	<b>cantidad de usuarios</b>		<b>Fuerza de anclaje</b>		<b>cantidad de usuarios</b>
	1		2,700 lbf (12 kN)		3
	2		3,320 lbf (14,8 kN)		4
					<b>Fuerza de anclaje</b>
					3,940 lbf (17,5 kN)
					4,560 lbf (20,3 kN)
<b>Temperatura de servicio:</b>	-40 °F a 140 °F (-40 °C a 60 °C)				
<b>Estándares:</b>	El Mango y el Sistema de seguridad de cable vertical Lad-Saf X3 se han probado de acuerdo con los estándares identificados en la portada de estas instrucciones de uso.				
<b>Especificaciones del cable:</b>	el Mango del cable Lad-Saf X3 solo se puede usar con un cable de núcleo sólido de 3/8 in (9,5 mm) de diámetro. El uso con cualquier otro cable está prohibido y podría provocar lesiones graves o la muerte.				
	<b>Número de artículo</b>	<b>Descripción</b>	<b>Material</b>	<b>Resistencia a la rotura mínima</b>	<b>Peso</b>
	6104XXX/ CE 6134XXX	3/8 in (9,5 mm), 1 x 7	Acero galvanizado	15 400 lbf (68,4 kN)	0,27 lb /pies (0,41 kg/m)
	6105XXX/ CE 6135XXX	3/8 in (9,5 mm), 1 x 7	Acero inoxidable	18 000 lbf (80 kN)	0,27 lb /pies (0,41 kg/m)
	6106XXX/ CE 6136XXX	3/8 in (9,5 mm), 7 x 19	Acero galvanizado	14 400 lbf (64 kN)	0,27 lb /pies (0,41 kg/m)
	6107XXX/ CE 6137XXX	3/8 in (9,5 mm), 7 x 19	Acero inoxidable	12 000 lbf (53,3 kN)	0,27 lb /pies (0,41 kg/m)

**Tabla 1 – Especificaciones**

**Especificaciones del componente:**

**Sistema de seguridad para escaleras Lad-Saf:**

Referencia en Figura 1	Componente	Materiales
(A)	Soporte superior	Acero galvanizado o acero inoxidable
(B)	Cable	Acero galvanizado o acero inoxidable
(C)	Mango de cable	Acero inoxidable
(D)	Guía de cable	Uretano
(E)	Etiqueta del sistema	Acero inoxidable
(F)	Soporte inferior	Acero galvanizado o acero inoxidable

**Mango del cable Lad-Saf:**

Referencia en Figura 2	Componente	Materiales
(A)	Rodillo superior	Nailon
(B)	Placa lateral giratoria	Acero inoxidable
(C)	Manija	Acero inoxidable
(D)	Cuerpo del mango	Acero inoxidable
(E)	Palanca de trabado	Acero inoxidable
(F)	Rodillo inferior	Nailon
(G)	Mosquetón	Acero cincado
(H)	Leva de bloqueo	Acero inoxidable

## 1.0 APLICACIÓN DEL PRODUCTO

- 1.1 PROPÓSITO:** el Sistema de seguridad para escaleras Lad-Saf™ forma parte de un sistema personal de protección contra caídas. Cuando se usa en combinación con el Mango desmontable del cable Lad-Saf, el Sistema de seguridad para escaleras Lad-Saf está diseñado para proteger a un trabajador en caso de sufrir una caída mientras sube escaleras fijas o estructuras similares.

**Detención de caídas solamente:** no use el Sistema de seguridad para escaleras Lad-Saf para ningún otro propósito que no sea la detención de caídas.

- 1.2 ESTÁNDARES:** Este Sistema de seguridad para escaleras cumple con el o los estándares nacionales o regionales identificados en la portada de estas instrucciones. Si este producto se revende fuera del país de destino original, el revendedor debe proporcionar estas instrucciones en el idioma del país en el que se usará el producto.
- 1.3 SUPERVISIÓN:** una persona competente debe supervisar el uso del Sistema de seguridad para escaleras<sup>1</sup>. Una persona calificada debe supervisar la instalación del Sistema de seguridad para escaleras<sup>2</sup>.
- 1.4 CAPACITACIÓN:** La instalación y el uso del Sistema de seguridad para escaleras deben estar a cargo de personas capacitadas en su correcta aplicación. Este manual debe usarse como parte de un programa de capacitación de empleados tal como lo exigen los estándares nacionales, estatales o locales. Los instaladores de este equipamiento tienen la responsabilidad de familiarizarse con estas instrucciones, capacitarse en su cuidado y uso correctos, además de informarse sobre las características operativas, los límites de aplicación y las consecuencias de su uso incorrecto.
- 1.5 PLAN DE RESCATE:** Cuando se utiliza este equipo y al conectarse con él o los subsistemas, el empleador debe contar con un plan de rescate y tener a mano los medios para implementar y comunicar dicho plan a los usuarios, las personas autorizadas<sup>3</sup> y rescatistas<sup>4</sup>. Se sugiere contar con un equipo de rescate capacitado en el lugar de trabajo. Los miembros del equipo deben contar con el equipamiento y las técnicas para realizar un rescate exitoso. Los integrantes del equipo de rescate deben recibir capacitación periódica para garantizar su pericia.
- 1.6 FRECUENCIA DE INSPECCIÓN:** El Sistema de seguridad para escaleras deberá ser inspeccionado por el usuario antes de cada uso y, además, por una persona competente que no sea el usuario a intervalos de no más de un año.<sup>5</sup> Los procedimientos de inspección se describen en el "Registro de inspección y mantenimiento". Los resultados de la inspección por parte de cada persona competente deben registrarse en copias del "Registro de inspección y mantenimiento".
- 1.7 DESPUÉS DE UNA CAÍDA:** Si el sistema Lad-Saf se ha sometido a las fuerzas provenientes de la detención de una caída, se debe retirar de servicio de inmediato e identificar claramente con la inscripción "NO USAR". El Mango y el Sistema de seguridad de cable Lad-Saf deben destruirse o enviarse a 3M para su reemplazo.

## 2.0 REQUISITOS DEL SISTEMA

- 2.1 ANCLAJE:** Los requisitos de anclaje varían según la aplicación de protección contra caídas. La estructura sobre la que se coloca o se instala el Sistema de seguridad para escaleras debe cumplir con las especificaciones de anclaje que se definen en la Tabla 1.
- 2.2 RIESGOS:** El uso de este equipo en áreas en las que existen riesgos ambientales puede requerir precauciones adicionales para evitar lesiones al usuario o daños al equipo. Algunos de los peligros son, entre otros: calor, sustancias químicas, entornos corrosivos, líneas de alta tensión, gases explosivos o tóxicos, maquinaria en movimiento, bordes afilados o materiales ubicados sobre el nivel de la cabeza que podrían caer y entrar en contacto con el usuario o el sistema personal de detención de caídas.
- 2.3 COMPATIBILIDAD CON CLIMB ASSIST:** No utilice un Sistema eléctrico de ascenso (PCA) con un Sistema de detención de caídas para escalera (CLFAS) de 3M, incluido el Sistema de línea de vida vertical Lad-Saf y los Mangos de cable desmontables Lad-Saf X2, X3 o X3+, a menos que el PCA haya sido verificado por 3M como que es compatible con un CLFAS de 3M. El incumplimiento de esta advertencia podría provocar que la caída de un usuario no se detenga de forma segura en caso de que ocurra desde altura mientras se utilizan sistemas PCA y CLFAS incompatibles. Póngase en contacto con el Servicio Técnico de 3M enviando un mensaje a 3MFallProtectionTech@mmm.com en caso si tuviera cualquier pregunta.

El uso de Sistemas de asistencia de ascenso que no sean compatibles con los Sistemas verticales de 3M podría provocar lesiones graves o la muerte.

- 2.4 COMPATIBILIDAD DE LOS COMPONENTES:** El equipamiento de 3M está diseñado para usarse exclusivamente con los componentes y sistemas secundarios 3M aprobados. Las sustituciones o los reemplazos hechos con componentes y sistemas secundarios no aprobados pueden arriesgar la compatibilidad del equipo y pueden afectar la seguridad y confiabilidad de todo el sistema.

**1 Persona competente:** una persona capaz de identificar los riesgos existentes y predecibles en los alrededores, o las condiciones de trabajo que son antihigiénicas, riesgosas o peligrosas para los empleados y que, además, está autorizada para tomar medidas correctivas inmediatas para eliminar estos riesgos.

**2 Persona calificada:** una persona con un título, un certificado o un cargo profesional reconocidos, o que, con amplios conocimientos, capacitación y experiencia, ha demostrado correctamente su capacidad para resolver o solucionar problemas relacionados con la protección contra caídas y los sistemas de rescate en la medida requerida por OSHA u otras reglamentaciones federales, estatales y locales aplicables.

**3 Persona autorizada:** Una persona designada por el empleador para que realice tareas en una ubicación en la que la persona estará expuesta a un riesgo de caída.

**4 Rescatista:** Persona o personas que no sean el sujeto a rescatar y que actúan para realizar un rescate asistido mediante la operación de un sistema de rescate.

**5 Frecuencia de inspección:** Las condiciones de trabajo extremas (entornos hostiles, uso prolongado, etc.) pueden requerir una mayor frecuencia en las inspecciones realizadas por una Persona competente.

**2.5 COMPATIBILIDAD DE LOS CONECTORES:** Los conectores se consideran compatibles con los elementos de conexión cuando fueron diseñados para funcionar juntos de manera tal que, independientemente de cómo queden orientados, sus formas y tamaños no provoquen la apertura accidental de los mecanismos de cierre. Comuníquese con 3M ante cualquier duda sobre la compatibilidad.

Los conectores (ganchos, mosquetones y anillos en D) deben tener capacidad para soportar al menos 5000 lbf (22,2 kN). Los conectores deben ser compatibles con el anclaje u otros componentes del sistema. No use un equipo que no sea compatible. Los conectores no compatibles pueden desconectarse accidentalmente (consulte la Figura 4). Los conectores deben ser compatibles en cuanto a tamaño, forma y resistencia. Si el elemento de conexión al que se fija un gancho de seguridad o mosquetón es más pequeño que lo debido o es de forma irregular, podría surgir una situación en la que el elemento de conexión aplicara una fuerza a la compuerta del gancho de seguridad o mosquetón (A). Esta fuerza puede hacer que se abra la compuerta (B) permitiendo que el gancho de seguridad o mosquetón se desconecte del punto de conexión (C).

Los ganchos de seguridad y mosquetones con cierre automático son reglamentarios según las normas ANSI Z359 y OSHA.

**2.6 CÓMO REALIZAR LAS CONEXIONES:** Los ganchos de seguridad y mosquetones que se utilicen con este equipo deben tener cierre automático. Asegúrese de que todas las conexiones sean compatibles en cuanto a tamaño, forma y resistencia. No use un equipo que no sea compatible. Asegúrese de que todos los conectores estén completamente cerrados y trabados.

Los conectores de 3M (ganchos de seguridad y mosquetones) están diseñados para el uso exclusivo que se especifica en las instrucciones de uso de cada producto. Consulte ejemplos de conexiones incorrectas en la Figura 5. Los ganchos de seguridad y mosquetones no deben conectarse:

- A. A un anillo en D al que se ha fijado otro conector.
- B. De manera tal que se produzca una carga sobre la compuerta. Los ganchos de seguridad de gargantas grandes no deben conectarse a anillos en D de tamaño estándar ni a objetos similares que puedan imponer una carga sobre la compuerta en caso de que el gancho o el anillo en D gire o se tuerza, a menos que el mosquetón cumpla con la norma y esté equipado con una compuerta de 16 kN (3600 libras). Examine la marca en el gancho de seguridad para verificar que sea apropiado para su aplicación.
- C. En un enganche falso, donde los elementos que sobresalen del mosquetón se sujetan del ancla y, a primera vista, parecería que estuvieran completamente enganchados al punto de anclaje.
- D. Entre sí.
- E. Directamente a una eslinga de cuerda o tejido trenzado, o eslinga para autoamarre (a menos que en las instrucciones del fabricante de la eslinga y del conector se permita expresamente esa conexión).
- F. A ningún objeto pueda cuya forma dimensión sea tal que el gancho de seguridad o carabinero quede sin cerrar o trabar o que o deslizarse izarse.
- G. De modo que impida que el conector se alinee correctamente en condiciones de carga.

### 3.0 INSTALACIÓN

Para obtener más información sobre los procedimientos de instalación del sistema Lad-Saf, consulte las Instrucciones de instalación del producto. Consulte los documentos IFU 5908282 o IFU 5903435 para obtener más información.

- 3.1 PLANIFICACIÓN:** Planifique su uso del Sistema de seguridad para escaleras Lad-Saf antes de comenzar a trabajar. Tenga en cuenta todos los factores que pueden afectar su seguridad antes, durante y después de una caída. Considere todos los requisitos, las limitaciones y las especificaciones que se definen en la Sección 2 y en la Tabla 1.
- Asegúrese de que el sistema tenga capacidad para la cantidad de usuarios requeridos.
  - Hay riesgos asociados a la conexión y desconexión al sistema. Use una protección secundaria de detención de caídas. Asegúrese de que existan puntos de anclaje, plataformas de descenso y otros medios en los puntos de conexión y desconexión para permitir transiciones seguras al sistema y desde este.
  - Debe existir una separación de caída mínima de 7 pies (2 m) entre los pies del usuario y la superficie que se encuentre debajo. Es posible que el usuario no esté protegido de golpearse contra el suelo durante los primeros 7 pies (2 m) de ascenso o en los últimos 7 pies (2 m) de descenso. Use los procedimientos adecuados para subir (p. ej., mantener tres puntos de contacto con las manos y pies) cuando suba o baje de cualquier porción de la escalera que no está protegida por el Sistema Lad-Saf™.
  - Cuando esté subiendo, use los procedimientos adecuados de seguridad. No lleve herramientas o equipo en la mano. Mantenga las manos libres para subir. Asegure los elementos transportados para evitar que caigan sobre otras personas que se encuentren debajo. Ascienda o descienda dentro de sus posibilidades. Los ascensos/descensos prolongados pueden precisar varias paradas para evitar el cansancio. Use el equipo de posicionamiento para el trabajo adecuado cuando tome un descanso. No **suba** cuando haya vientos fuertes o mal tiempo.
  - Asegúrese de que solo un usuario está subiendo entre las guías del cable.
- 3.2 CONEXIÓN DEL MANGO DEL CABLE AL CABLE PORTADOR:** El Mango de seguridad de cable vertical Lad-Saf X3 debe estar conectado a un Sistema de seguridad para escaleras Lad-Saf de 3M para poder emplearse. Consulte la Figura 7 como referencia. Para conectar el Mango del cable Lad-Saf X3 al cable portador del Sistema Lad-Saf:
1. **Ubique el mango para que la flecha hacia "arriba" sobre este (I) esté apuntando en dirección ascendente.**
  2. **Gire la palanca de bloqueo (G) a la posición desbloqueada.** La Figura 3 muestra las posiciones de palanca bloqueada (A) y desbloqueada (B). La palanca de bloqueo está a ambos lados del mango desmontable del cable para su operación tanto con la mano derecha como con la izquierda.
  3. **Corra la placa lateral giratoria (B) a su posición más lejana.** Una vez que la placa lateral giratoria está en su posición más lejana, puede liberar la palanca de bloqueo (E). La leva de bloqueo (H) estará completamente extendida.
  4. **Gire el asa (C) a su posición vertical tope.** Esto permitirá que la leva de bloqueo salga del camino a fin de instalar el mango en el cable.
  5. **Sostenga el mango en posición vertical e inserte el cable (J) a través de la ranura en el lado de dicho mango con un movimiento de izado hacia arriba.** Coloque el cable en la cavidad del mango. Suelte el asa (C), la placa lateral giratoria (B) y la palanca de bloqueo (E) para fijar el mango en el cable. **Asegúrese de que la palanca de bloqueo (E) esté en posición bloqueada antes de usarla.**
- 3.3 CONEXIÓN DEL MANGO DEL CABLE AL ARNÉS:** La conexión entre el Mango del cable y el Arnés de cuerpo entero se puede realizar antes o después de instalar el Mango en el Sistema Lad-Saf. Se recomienda un sistema secundario de protección contra caídas cuando se realiza la conexión o desconexión del sistema Lad-Saf. El manejo del mango durante el ascenso o descenso expone al trabajador a riesgos de caída. El sistema Lad-Saf debe tener un ángulo máximo de 15° desde la vertical en todo momento durante el uso.

No utilice otros dispositivos de conexión ni combine dispositivos (p. ej., eslinga) con el conector suministrado con el Mango del cable. Siempre emplee el mosquetón o el conector suministrado con el Mango del cable durante el uso. No lo reemplace por otros conectores.

- **ASCENSO:** Para ascender por la estructura, suba mientras mantiene tres puntos de contacto en todo momento (con manos y pies). El Mango desmontable del cable Lad-Saf X3 se moverá junto con la persona que está ascendiendo. El cable portador sale bajo presión de las guías del cable a medida que se topa con ellas. **No manipule ni remueva el Mango del cable transportador cuando pasa las guías para cable o si el Mango se bloquea.**
- **DESCENSO:** Para descender por la estructura, baje suavemente mientras mantiene tres puntos de contacto en todo momento (con las manos y los pies). Permita que el Mango desmontable del cable Lad-Saf X3 "guíe" el descenso de la persona. Descender fuera de posición (p. ej., reclinándose hacia atrás excesivamente o subiendo de forma errática) puede hacer que el mango se bloquee en el cable portador. Si el mango se bloquea, muévase hacia arriba ligeramente para permitir que se desbloquee y luego, siga bajando. Vuelva a conectar el cable portador en las guías del cable después de pasar cada guía. **No maneje ni quite el mango del cable portador cuando pasa las guías del cable o si el mango se traba.**
- **DESCONEXIÓN:** Cuando finalice el ascenso, desconecte el Mango del cable del sistema. Consulte la Figura 2 para ver referencias de los componentes.
  1. Quite el mango del cable girando la Palanca de bloqueo (E).
  2. Corra la Placa lateral (B) y gire el Asa (C) a su posición completamente vertical.
  3. Ahora puede retirar el Mango del cable y guardarlo adecuadamente.



## 4.0 USO

- 4.1 ANTES DE CADA USO:** Verifique que el área de trabajo y el Sistema personal de detención de caídas (PFAS) cumplan con todos los criterios definidos en la Sección 2 y que exista un plan de rescate formal implementado. Inspeccione el Sistema Lad-Saf según los puntos de inspección del "Usuario" que se definen en la "Hoja de registro de inspección y mantenimiento" (Tabla 2). No utilice el sistema si la inspección revela una condición no segura o defectuosa. Debe retirar el sistema de servicio de inmediato e identificarlo claramente con la inscripción "NO USAR". El Mango y el Sistema de seguridad de cable vertical Lad-Saf deben destruirse o enviarse a 3M para su reemplazo.
- 4.2 CONEXIONES DEL SISTEMA:** El Sistema Lad-Saf debe usarse con un Arnés de cuerpo completo. El Arnés de cuerpo completo debe cumplir las normas ANSI 2359.11, CSA Z259.10, EN 361 u otro estándar nacional, regional o local aplicable. Para un ajuste adecuado de su Arnés de cuerpo completo, consulte las instrucciones del fabricante. Para conectarse a su Arnés de cuerpo completo, conecte el Mosquetón del Sistema Lad-Saf al anillo en D frontal (A) de su Arnés. Está prohibido su uso con cualquier otro conector o anillo en D en su Arnés de cuerpo completo.

Las normas OSHA 1910.29 y OSHA 1926.1053 establecen que la longitud de la conexión entre el transportador y el punto de sujeción no debe superar los 23 cm (9 in).

## 5.0 INSPECCIÓN

- 5.1 FRECUENCIA DE INSPECCIÓN:** El Sistema Lad-Saf debe inspeccionarse según los intervalos que se definen en la Sección 1. Los procedimientos de inspección se describen en la "Hoja de registro de inspección y mantenimiento" (Tabla 2). Inspeccione el resto de los componentes del sistema de protección contra caídas según las frecuencias y procedimientos que se definen en las instrucciones del fabricante.
- 5.2 DEFECTOS:** Si la inspección revela una condición insegura o defectuosa, o si surge alguna duda con respecto a la condición del sistema, retire el Sistema Lad-Saf del servicio de inmediato y márkelo claramente con la leyenda "NO USAR". El Mango y el Sistema de seguridad de cable vertical Lad-Saf deben destruirse o enviarse a 3M para su reemplazo. No intente reparar el sistema.
- 5.3 VIDA ÚTIL DEL PRODUCTO:** La vida útil del Sistema Lad-Saf está determinada por las condiciones de trabajo y el mantenimiento. Siempre y cuando el producto supere los criterios de inspección, podrá permanecer en servicio.

## 6.0 MANTENIMIENTO, REPARACIÓN, ALMACENAMIENTO

- 6.1 LIMPIEZA DEL SISTEMA:** Consulte la sección 5.0 para consultar sobre problemas de mantenimiento relacionados con la inspección. Si el cable portador se ensucia mucho con aceite, grasa, pintura u otras sustancias, límpielo con agua tibia con jabón. Limpie el cable con un trapo limpio y seco. No aplique calor para apurar el secado. No utilice ácidos ni otros productos químicos cáusticos que podrían dañar el cable.


Los procedimientos adicionales de mantenimiento y reparación deben realizarse en un centro de reparaciones autorizado. La autorización debe constar por escrito.

- 6.2 LIMPIEZA DEL MANGO DEL CABLE:** Un Mango de seguridad de cable vertical Lad-Saf X3 sucio se puede limpiar mediante el siguiente procedimiento:
1. Mezcle cuatro partes de agua tibia con una parte de solución de limpieza suave (p. ej., Simple Green o una solución similar).
  2. Sumerja el Mango del cable en la solución y humedézcalo completamente en la mezcla durante 2 a 3 horas.
  3. Retire el Mango del cable de la solución y enjuague con agua tibia durante al menos 1 minuto. Asegúrese de eliminar cualquier exceso de suciedad acumulada.
  4. Deje que el Cable se seque al aire durante 24 horas antes de usarlo. El uso de aire frío y forzado es aceptable.
  5. Consulte la Figura 2 como referencia. Aplique una pequeña cantidad de lubricación a los puntos de pivote (E) o en la base de la placa lateral (B).
  6. Lleve a cabo una inspección previa al uso como se especifica en la Sección 5.3. Confirme que no haya desechos alojados internamente, lo que podría afectar el funcionamiento del Mango del cable.
- 6.3 ALMACENAMIENTO Y TRANSPORTE:** Guarde el Mango de seguridad de cable vertical Lad-Saf X3 en un entorno fresco, seco y limpio, donde no quede expuesto a la luz solar directa. No lo guarde en lugares donde haya vapores químicos. Inspeccione minuciosamente el mango después de que haya estado guardado por mucho tiempo. Transporte el Mango del cable Lad-Saf en un contenedor para protegerlo contra cortaduras, humedad o luz ultravioleta. Evite los ambientes corrosivos o con temperaturas extremas.
- 6.4 REPARACIÓN:** Solo 3M o las entidades autorizadas por escrito por 3M pueden hacer reparaciones a este equipo. Si el Mango y el Sistema de seguridad de cable vertical Lad-Saf se ha sometido a una fuerza de caída o si la inspección indica que existen condiciones inseguras o defectuosas, retire el sistema del servicio de inmediato y márkelo claramente con la leyenda "NO USAR". El Mango y el Sistema de seguridad de cable vertical Lad-Saf deben destruirse o enviarse a 3M para su reemplazo.



## 7.0 ETIQUETA RFID

- 7.1 UBICACIÓN:** El producto 3M cubierto en estas instrucciones de uso está equipado con una etiqueta de identificación por radiofrecuencia (RFID). Las etiquetas RFID se pueden usar en coordinación con un escáner de etiquetas RFID para registrar los resultados de la inspección del producto. Consulte la Figura 8 para ver dónde se encuentra su etiqueta RFID.
- 7.2 DESECHO:** Antes de desechar este producto, retire la etiqueta RFID y deséchelo/recíclelo de acuerdo con las regulaciones locales. Para obtener información adicional sobre cómo eliminar la etiqueta RFID, consulte el enlace del sitio web a continuación.

	No deseche su producto como basura municipal sin clasificar. El símbolo del contenedor de basura tachado indica que todos los EEE (equipos eléctricos y electrónicos) deben eliminarse de acuerdo con la ley local a través de los sistemas de devolución y recolección disponibles. Póngase en contacto con su distribuidor o su representante local de 3M para obtener más información.
---	---

Para obtener más información, visite nuestro sitio web: <http://www.3M.com/FallProtection/RFID>



## 8.0 ETIQUETAS y MARCAS

- 8.1 ETIQUETAS:** La Figura 9 ilustra las ubicaciones de las etiquetas en el Sistema de seguridad para escaleras Lad-Saf. La Figura 10 ilustra cada etiqueta en detalle. Las etiquetas sin una ubicación detallada en el sistema deben colocarse en una ubicación cercana al sistema Lad-Saf. La información proporcionada en cada etiqueta es la siguiente:

<b>A</b>	A) Número de modelo del Mango del cable B) Número de serie C) Declaración de advertencia: siga todas las instrucciones de uso. D) Lea todas las instrucciones de uso. E) Un usuario como máximo. F) Norma aplicable G) Detalle del organismo notificado H) Requisitos de peso del usuario
<b>B</b>	A) Orientación "hacia arriba" del Mango del cable para su uso.
<b>C</b>	A) La distancia máxima permitida entre el cable del sistema y el punto de sujeción del arnés es de 9 in (23 cm). B) No use el Mango del cable con una eslinga. No modifique el sistema de ninguna manera.
<b>D</b>	ID/Número de lote (AAMMSSTT): AA = últimos dos dígitos del año de fabricación. MM = mes de fabricación. SS = semana del año de fabricación. TT = solo uso interno de 3M.
<b>E</b>	1) Fecha de instalación 2) Instalado por 3) Requisitos de anclaje 4) Cantidad máxima de usuarios por sistema 5) Longitud del sistema 6) Fecha de fabricación 7) Fecha de inspección 8) Número de serie 9) Advertencias del sistema 10) Matriz de compatibilidad de mango y tipo de cable según la certificación de las normas. 11) Etiqueta RFID (consulte la Sección 7.0)

**Tabla 2: Registro de inspección y mantenimiento**

Fecha de inspección:		Inspección realizada por:	
Componente:	Inspección: (Consulte la Sección 2 para conocer la <i>Frecuencia de inspección</i> )	Usuario	Persona competente
Mango de cable (Figura 2)	Inspeccione el Asa (C) para ver si está doblada, agrietada o deformada. Todos los pernos deben estar bien afirmados. El asa y la leva deben funcionar sin obstrucciones ni dificultad. Los resortes deben estar firmes y tener la resistencia suficiente para tirar del asa hacia abajo. El Mango también actúa como un absorbedor de energía y un indicador de caída. El Asa se deformará si se ha utilizado para detener caídas. La Figura 11.3 muestra un ejemplo de un Asa que no se ha utilizado para detención de caídas (A) y un Asa que sí se ha utilizado y está deformada (B). Si el Asa tiene una deformación mayor que A = 1/2 in (12,7 mm) no la use. El mango debe retirarse de servicio.	<input type="checkbox"/>	<input type="checkbox"/>
	Inspeccione la Palanca de bloqueo (E) para comprobar que funcione sin dificultad, asegurándose de que sus resortes vuelvan a trabarse al soltarla.	<input type="checkbox"/>	<input type="checkbox"/>
	Inspeccione la Leva de bloqueo (H) para detectar su desgaste. Confirme que la leva no esté dañada.	<input type="checkbox"/>	<input type="checkbox"/>
	Inspeccione la Leva de bloqueo (H) sujetando el mango verticalmente, con el Asa (C) en posición vertical, y agitando el mango hacia arriba y hacia abajo para simular una caída. La leva debe girar libremente.	<input type="checkbox"/>	<input type="checkbox"/>
	Inspeccione la Leva de bloqueo (H) ubicando el mango horizontalmente con el Asa (C) en posición vertical, y colocando el mango en el lado posterior sobre una superficie plana con el Lad-Saf X3 hacia arriba. La leva debe girar completamente hacia arriba hacia la parte superior del mango.	<input type="checkbox"/>	<input type="checkbox"/>
	Inspeccione el funcionamiento de la placa lateral (B) tirándola hacia atrás para intentar abrir la ranura para cable. No debe girar. Si gira sin tener que girar la Palanca de bloqueo (E), retire el mango de servicio.	<input type="checkbox"/>	<input type="checkbox"/>
	Revise toda la unidad para detectar señales de corrosión.	<input type="checkbox"/>	<input type="checkbox"/>
Soporte superior (Figura 11.2)	Inspeccione que haya realizado una instalación adecuada de conformidad con las Instrucciones para la instalación de Sistemas de seguridad vertical con cable flexible Lad-Saf™, el manual de Protección contra caídas de 3M n.º 5908282 o n.º 5903435.	<input type="checkbox"/>	<input type="checkbox"/>
	Inspeccione para detectar daños o corrosión visibles. Busque grietas, dobleces o desgaste que podrían afectar la resistencia y el funcionamiento del sistema. Inspeccione las soldaduras. Busque fisuras o fracturas que podrían afectar la resistencia del soporte. Si encuentra defectos en alguna pieza, reemplácela.	<input type="checkbox"/>	<input type="checkbox"/>
	Compruebe que no falten ni estén sueltos los elementos de sujeción que fijan el soporte superior a la estructura (pernos, placas de abrazaderas, pernos en U). Si los sujetadores están flojos, vuelva a apretarlos con los niveles de torsión adecuados mencionados en las Instrucciones para la instalación proporcionadas con su Sistema de seguridad con cable flexible Lad-Saf.	<input type="checkbox"/>	<input type="checkbox"/>
	Inspeccione la placa superior para determinar si tiene deformaciones. El espacio debe ser de 0,20 in (5 mm) como mínimo en la ubicación A.	<input type="checkbox"/>	<input type="checkbox"/>
	Asegúrese de que tanto el pasador grande (B) como el pasador pequeño estén colocados en el lugar correspondiente. Asegúrese de que la compuerta del resorte (C) esté en su lugar.	<input type="checkbox"/>	<input type="checkbox"/>
	Inspeccione el anclaje de un solo punto (D) para determinar si hay fracturas o señales de daños. Inspeccione la torsión del sujetador. Asegúrese de que la arandela tenga marcas visibles.	<input type="checkbox"/>	<input type="checkbox"/>
Soporte inferior (Figura 11.1)	Inspeccione que haya realizado una instalación adecuada de conformidad con las Instrucciones para la instalación de Sistemas de seguridad vertical con cable flexible Lad-Saf™, el manual de Protección contra caídas de 3M n.º 5908282 o n.º 5903435.	<input type="checkbox"/>	<input type="checkbox"/>
	Inspeccione para detectar daños o corrosión. Busque grietas, dobleces o desgaste que podrían afectar la resistencia y el funcionamiento del sistema. Si encuentra defectos en alguna pieza, reemplácela.	<input type="checkbox"/>	<input type="checkbox"/>
	Compruebe que no falten ni estén sueltos los elementos de sujeción que fijan el soporte inferior a la estructura. Si los sujetadores están flojos, vuelva a apretarlos con los niveles de torsión adecuados mencionados en las Instrucciones para la instalación proporcionadas con su Sistema de seguridad para escaleras con cable flexible Lad-Saf.	<input type="checkbox"/>	<input type="checkbox"/>
	Inspeccione el conjunto de la barra de tensión. Asegúrese de que las abrazaderas sujeten firmemente el cable. Revise la torsión de las abrazaderas, debe estar a 35 pies/libras (47 N-m). Reemplácelas o vuelva a ajustarlas si encuentra defectos.	<input type="checkbox"/>	<input type="checkbox"/>

**Tabla 2: Registro de inspección y mantenimiento**

<b>Fecha de inspección:</b>		<b>Inspección realizada por:</b>	
<b>Componente:</b>	<b>Inspección:</b> (Consulte la Sección 2 para conocer la <i>Frecuencia de inspección</i> )	<b>Usuario</b>	<b>Persona competente</b>
Guías de cable (Figura 1)	Revise las guías de cable para comprobar que no estén dañadas. Verifique que el uretano negro no esté dañado ni gastado. Las guías de cable deben retener el cable y evitar que entre en contacto con la escalera/estructura. Las guías del cable deben colocarse a aproximadamente 20 a 40 pies (6 a 12 m) a lo largo del cable portador, o más cerca si es necesario. Si encuentra defectos en alguna pieza, reemplácela.	<input type="checkbox"/>	<input type="checkbox"/>
	Revise los sujetadores de las guías de cable. Deben fijar las guías de cable en su lugar. Apriételes según sea necesario.	<input type="checkbox"/>	<input type="checkbox"/>
Cable (Figura 1)	Inspeccione el cable para detectar corrosión, ensortijamientos o daños que puedan afectar la resistencia e impedir que el mango para cable se desplace por el cable. Si hay muescas o torceduras en el cable de la escalera, este debe inspeccionarlo una persona competente antes de usarlo. Inspeccione para detectar señales de abrasión contra la escalera o la estructura. Reemplace el cable si encuentra defectos.	<input type="checkbox"/>	<input type="checkbox"/>
	Revise que cuente con la tensión adecuada. La ranura debe quedar expuesta sobre la plantilla inferior (vea la leyenda "E", Figura 11.1). No se debe poder desplegar la barra de tensión hacia abajo en forma manual. El cable debe estar lo suficientemente apretado para evitar que entre en contacto con la escalera/estructura. Vuelva a tensar el cable si es necesario. No tense demasiado el sistema.	<input type="checkbox"/>	<input type="checkbox"/>
Etiquetas (Figura 9)	Revise que estén presentes todas las etiquetas y que sean completamente legibles.	<input type="checkbox"/>	<input type="checkbox"/>
PFAS y otros equipos	El equipamiento adicional del Sistema personal de detención de caídas (PFAS) (arnés, SRD, etc.) que se utiliza con el Sistema de anclaje debe instalarse e inspeccionarse según las instrucciones del fabricante.	<input type="checkbox"/>	<input type="checkbox"/>
Estructura	Verifique que la estructura a la que se sujeta cumpla los requisitos de resistencia de la Tabla 1 en todas las direcciones posibles de carga.	<input type="checkbox"/>	<input type="checkbox"/>

<b>Número(s) de serie:</b>	<b>Fecha de compra:</b>
<b>Número(s) de modelo:</b>	<b>Fecha de primer uso:</b>

<b>Medida correctiva/mantenimiento:</b>	Aprobado por:	Fecha de la próxima inspección:
	Fecha:	
<b>Medida correctiva/mantenimiento:</b>	Aprobado por:	Fecha de la próxima inspección:
	Fecha:	
<b>Medida correctiva/mantenimiento:</b>	Aprobado por:	Fecha de la próxima inspección:
	Fecha:	
<b>Medida correctiva/mantenimiento:</b>	Aprobado por:	Fecha de la próxima inspección:
	Fecha:	
<b>Medida correctiva/mantenimiento:</b>	Aprobado por:	Fecha de la próxima inspección:
	Fecha:	
<b>Medida correctiva/mantenimiento:</b>	Aprobado por:	Fecha de la próxima inspección:
	Fecha:	
<b>Medida correctiva/mantenimiento:</b>	Aprobado por:	Fecha de la próxima inspección:
	Fecha:	
<b>Medida correctiva/mantenimiento:</b>	Aprobado por:	Fecha de la próxima inspección:
	Fecha:	
<b>Medida correctiva/mantenimiento:</b>	Aprobado por:	Fecha de la próxima inspección:
	Fecha:	
<b>Medida correctiva/mantenimiento:</b>	Aprobado por:	Fecha de la próxima inspección:
	Fecha:	

## SÄKERHETSINFORMATION

Läs igenom, se till att du förstår och följ all säkerhetsinformation i den här bruksanvisningen innan du använder detta vertikalsystem. **FÖRBISEENDE AV DETTA KAN LEDA TILL ALLVARLIGA PERSONSKADOR ELLER DÖDSFALL.**

Dessa anvisningar måste lämnas till den som ska använda den här utrustningen. Spara dessa anvisningar för framtida referens.

### Avsedd användning:

Detta vertikalsystem är avsett att användas som en del av ett komplett personligt fallskyddssystem.

Användning för andra syften, inklusive materialhantering, fritids- och idrottsaktiviteter samt andra aktiviteter som inte beskrivs i bruksanvisningen godkänns inte av 3M och kan leda till allvarlig skada eller dödsfall.

Utrustningen får endast användas av utbildade användare för professionellt bruk.

### VARNING

Detta system av flexibel lina/rigid skena ingår i ett personligt fallskyddssystem. Alla användare förväntas vara fullständigt utbildade i säker installation och användning av sitt personliga fallskyddssystem. **Felaktig användning av denna utrustning kan leda till allvarlig personskada eller dödsfall.** För korrekt val, användning, installation, underhåll och service, se denna bruksanvisning, inklusive alla tillverkarens rekommendationer, eller kontakta en arbetsledare eller 3M:s tekniska kundtjänst.

- **För att minska risker för allvarlig skada eller dödsfall vid arbete med ett system av flexibel lina/rigid skena som, om de inte undviks, kan leda till allvarlig skada eller dödsfall:**
  - Kontrollera alla komponenter i systemet före varje användning, minst en gång per år och efter varje fall. Utför kontrollen enligt produktanvisningarna.
  - Om defekt tillstånd för en komponent i systemet upptäcks vid kontrollen, ta komponenten ur bruk och kassera den.
  - Varje system med flexibel lina/rigid skena som har utsatts för fallskydd eller kollisionskrafter måste omedelbart tas ur bruk och alla komponenter måste kontrolleras av en kompetent person innan de används igen.
  - Koppla inte till systemet medan installation pågår.
  - Säkerställ att systemet är lämpligt klassat för antalet samtidiga användare.
  - Linan kan snabbt rullas upp vid uppackning. Tillämpa lämpliga säkerhetsrutiner och lämplig personlig skyddsutrustning vid uppackning av linan.
  - Använd endast godkända kopplingar för att fästa helkroppsselar i systemet. Använd inga andra kopplingsanordningar.
  - Använd endast specificerad vajer som är godkänd enligt produktanvisningarna.
  - Gör inga ingrepp i låsningsmomentet för skyttel- eller hylsanordningen. Manövrera endast anordningen för att koppla ihop och koppla bort den från systemet.
  - Vidmakthåll alltid tre kontaktpunkter under klättring. Se produktanvisningarna för vidare information om lämplig klättringsteknik.
  - Se till att fallskyddssystem och delsystem som är monterade med komponenter från olika tillverkare är kompatibla och uppfyller kraven i tillämpliga standarder, inklusive ANSI Z359 eller andra tillämpliga regler, standarder eller krav på fallskydd. Rådgör alltid med en kompetent eller kvalificerad person före användning av dessa system.
- **För att minska riskerna för allvarlig skada eller dödsfall vid arbete på höga höjder:**
  - Se till att din hälsa och fysiska kondition medger att du säkert kan motstå alla krafter i samband med arbete på hög höjd. Rådgör med läkare om du har frågor kring din förmåga att använda den här utrustningen.
  - Överskrid aldrig din fallskyddsutrustnings godkända kapacitet.
  - Överskrid aldrig största tillåten fri fallhöjd för din fallskyddsutrustning.
  - Använd aldrig fallskyddsutrustning som inte godkänts vid besiktning före användning eller andra planerade kontroller, eller om du är osäker på huruvida utrustningen kan användas eller lämpar sig för ditt tillämpningsområde. Vänd dig till 3M:s tekniska kundtjänst vid eventuella frågor.
  - Vissa kombinationer av delsystem och komponenter kan störa utrustningens funktionsduglighet. Använd endast kompatibla kopplingar. Rådfråga 3M innan du använder denna utrustning i kombination med andra komponenter eller delsystem än de som beskrivs i bruksanvisningen.
  - Var extra försiktig vid arbete i närheten av rörligt maskineri (t.ex. toppspindel på oljerigg), elfara, extrema temperaturer, kemiska faror, explosiva eller giftiga gaser, skarpa kanter eller under ovanliggande material som kan falla ner på dig eller din fallskyddsutrustning.
  - Använd Arc Flash- eller Hot Works-enheter vid arbete i miljöer med höga temperaturer.
  - Undvik ytor och föremål som kan skada användare eller utrustning.
  - Se till att det finns tillräcklig fallmarginal vid arbete på höga höjder.
  - Du skall aldrig modifiera eller ändra din fallskyddsutrustning. Endast 3M eller av 3M skriftligen auktoriserade parter får utföra reparationer på utrustningen.
  - Innan du använder fallskyddsutrustning skall du kontrollera att det finns en räddningsplan som medger snabb räddning vid eventuellt fall.
  - I händelse av ett fall, uppsök omedelbart läkarvård för person som har drabbats.
  - Ett kroppsbälte får ej användas för fallstoppställämpningar. Använd helkroppssele.
  - Minimera risken för pendelfall genom att arbeta med förankringspunkten så rakt ovanför dig som möjligt.
  - Vid utbildning i användning av den här utrustningen måste ett andra fallskyddssystem användas för att skydda personen som utbildas mot oavsiktliga fallrisker.
  - Använd alltid lämplig personlig skyddsutrustning vid installation, användning eller inspektion av enheten/systemet.

Före installation och användning av utrustningen, anteckna ID-etikettens produktidentitetsuppgifter i besiktning- och underhållsloggen (Tabell 2) på baksidan av denna bruksanvisning.

Säkerställ alltid att du använder den senaste versionen av 3M-bruksanvisningen. Gå till 3M:s webbplats eller kontakta 3M:s tekniska support för information om aktuella bruksanvisningar.

## PRODUKTBESKRIVNING:

Figur 1 visar 3M™ DBI-SALA® Lad-Saf™ säkerhetssystem för stegar. Lad-Saf säkerhetssystem för stegar har konstruerats för att skydda personer vid ett eventuellt fall under klättring på en fast stega eller liknande klättringskonstruktion. Lad-Saf-systemet består av det övre fästet, en vajer, vajerhylsan, vajerstyrningen, systemetiketten och det nedre fästet. Det övre fästet (A) fästs längst upp på stegen och förankrar vajern (B) tillsammans med det nedre fästet (F), som sitter fast längst ner på stegen. Vajerhylsan (C) rör sig uppför och nedför vajern med användaren och fäster vid den främre D-ringen på användarens sele. Vajerstyrningen (D) säkerställer att vajern håller sig på plats. Systemets etikett (E) visar viktig säkerhetsinformation och ska placeras vid en punkt på eller i närheten av systemet. Systemetiketten visas som etikett "E" i figur 10.

Figur 2 visar komponenterna i Lad-Saf X3-vajerhylsan. Vajerhylsan består av den övre rullen, den roterande sidoplattan, handtaget, hylskroppen, låshandtaget, den nedre rullen, karbinhaken och låskammen. Den övre rullen (A) fäster vajerhylsan på vajern i tillsammans med den nedre rullen (F). Den roterande sidoplattan (B) och handtaget (C) öppnas så att vajerhylsan kan placeras på vajern. Hylskroppen (D) utgör vajerhylsans huvudstruktur. Låshandtaget (E) låser vajerhylsan och förhindrar att enheten öppnas oavsiktligt. Låskammen (H) håller vajerhylsan på plats när den är låst. Karbinhaken (G) fästs i den främre D-ringen på användarens sele.

Se tabell 1 för komponentspecifikationer för Lad-Saf X3:s vertikala system och skyddsvajerhylsa.

**Tabell 1 – Specifikationer**

Systemspecifikationer:					
<b>Systeminstallation:</b>	<b>Installationsanvisningar</b>		<b>Systemtyp</b>		<b>Systembeskrivning</b>
	5908282		Vertikal		Lad-Saf säkerhetssystem med flexibel vajer
	5903435		Vertikal		Lad-Saf säkerhetssystem med flexibel vajer och vridbar D-ring
<b>Lad-Saf vajerhylsa:</b>	<b>Artikelnummer</b>	<b>Aktiveringskraft</b>	<b>Max fördelningslängd</b>	<b>Minsta brottstyrka</b>	<b>Vikt</b>
	6160054	2,0 kN (450 lbf)	102 mm (4,0 tum)	16 kN (3 600 lbf)	1,0 kg (2,1 lb)
<b>Kapacitet:</b>	Varje användare måste ha en sammanlagd vikt (kläder, verktyg osv.) på 40 till 140 kg (88 till 310 lb). Lad-Saf-systemet klarar upp till fyra användare samtidigt, men varje Lad-Saf X3 vertikal säkerhetsvajerhylsa får endast ha en användare ansluten. Ytterligare vajerhylsor måste användas vid flera användare.				
<b>Förankringskrav:</b>	<b>Antal användare</b>		<b>Förankringshållfasthet</b>		
	1		12 kN (2 700 lbf)		
	2		14,8 kN (3 320 lbf)		
					<b>Antal användare</b>
				3	17,5 kN (3 940 lbf)
				4	20,3 kN (4 560 lbf)
<b>Arbetstemperatur:</b>	-40 °C till 60 °C (-40 °F till 140 °F)				
<b>Standarder:</b>	Lad-Saf X3 vertikala system och säkerhetsvajerhylsa har testats i enlighet med de standarder som identifieras på framsidan av dessa användarinstruktioner.				
<b>Specifikation för vajer:</b>	Lad-Saf X3-vajerhylsa får endast användas med en fast huvudvajer med en diameter på 9,5 mm (3/8 tum). Användning med annan vajer är förbjuden och kan leda till allvarliga personskador och innebära livsfara.				
	<b>Artikelnummer</b>	<b>Beskrivning</b>	<b>Material</b>	<b>Minsta brottstyrka</b>	<b>Vikt</b>
	6104XXX / CE 6134XXX	9,5 mm (3/8 tum), 1 x 7	Galvaniserat stål	68,4 kN (15 400 lbf)	0,41 kg / m (0,27 lb./ft.)
	6105XXX / CE 6135XXX	9,5 mm (3/8 tum), 1 x 7	Rostfritt stål	80 kN (18 000 lbf)	0,41 kg / m (0,27 lb./ft.)
	6106XXX / CE 6136XXX	9,5 mm (3/8 tum), 7 x 19	Galvaniserat stål	64 kN (14 400 lbf)	0,41 kg / m (0,27 lb./ft.)
	6107XXX / CE 6137XXX	9,5 mm (3/8 tum), 7 x 19	Rostfritt stål	53,3 kN (12 000 lbf)	0,41 kg / m (0,27 lb./ft.)

**Tabell 1 – Specifikationer**

**Komponentspecifikationer:**

**Lad-Saf säkerhetssystem för stegar:**

Referens för figur 1	Komponent	Material
Ⓐ	Övre monteringsfäste	Galvaniserat eller rostfritt stål
Ⓑ	Vajer	Galvaniserat eller rostfritt stål
Ⓒ	Vajerhylsa	Rostfritt stål
Ⓓ	Vajerstyrning	Uretan
Ⓔ	Systemetikett	Rostfritt stål
Ⓕ	Nedre monteringsfäste	Galvaniserat eller rostfritt stål

**Lad-Saf vajerhylsa:**

Referens för figur 2	Komponent	Material
Ⓐ	Övre rulle	Nylon
Ⓑ	Roterande sidoplatta	Rostfritt stål
Ⓒ	Handtag	Rostfritt stål
Ⓓ	Hylskropp	Rostfritt stål
Ⓔ	Låshandtag	Rostfritt stål
Ⓕ	Nedre rulle	Nylon
Ⓖ	Karbinkrok	Zinkpläterat stål
Ⓗ	Låskam	Rostfritt stål

## 1.0 ANVÄNDNING AV PRODUKTEN

- 1.1 SYFTE:** Lad-Saf™ säkerhetssystem för stegar är en del av ett personligt fallskyddssystem. Vid användning i kombination med Lad-Saf™ avtagbar vajerhylsa är Lad-Saf säkerhetssystem för stegar utformat för att skydda en person i händelse av fall under klättring på fasta stegar eller liknande klättringsstrukturer.

**Endast fallstopp:** Använd inte Lad-Saf säkerhetssystem för stegar i något annat syfte än fallskydd.

- 1.2 STANDARDER:** Säkerhetssystemet för stegar överensstämmer med de nationella eller regionala standarder som återges på framsidan av dessa instruktioner. Om produkten säljs utanför det ursprungliga mottagarlandet ska återförsäljaren tillhandahålla dessa instruktioner på det språk som talas i det land där produkten kommer att användas.
- 1.3 ÖVERVAKNING:** Användning av Lad-Saf säkerhetssystem för stegar måste övervakas av en behörig person<sup>1</sup>. Installation av Lad-Saf säkerhetssystem för stegar måste övervakas av en kvalificerad person<sup>2</sup>.
- 1.4 UTBILDNING:** Lad-Saf säkerhetssystem för stegar måste installeras och användas av personer som är utbildade för korrekt användning av det. Denna bruksanvisning ska vara utbildningsmaterial i ett personalutbildningsprogram enligt nationella, regionala eller lokala standarder. Installatörer är ansvariga för att vara insatta i dessa instruktioner, ha genomgått utbildning om korrekt skötsel och användning av utrustningen samt vara insatta i utrustningens funktionsegenskaper, tillämpningsbegränsningar och konsekvenser av felaktig användning.
- 1.5 RÄDDNINGSPLAN:** När utrustningen och kopplade delsystem används måste arbetsgivaren ha en upprättad räddningsplan och resurser tillgängliga för införande av och information om räddningsplanen till användarna, behöriga personer<sup>3</sup> och räddningspersonal<sup>4</sup>. Ett utbildat räddningsteam på plats rekommenderas. Teamets medlemmar ska förses med utrustning och metoder för att utföra en framgångsrik räddningsoperation. Regelbunden utbildning ska tillhandahållas för att säkerställa räddningspersonalens kompetens.
- 1.6 BESIKNINGSINTERVALL:** Säkerhetssystemet för stegar besiktas av användaren före varje användning och dessutom av en annan kompetent person än användaren, minst en gång per år.<sup>5</sup> Besiktningsspecifikationerna beskrivs i "Besiktning- och underhållslogg". Resultatet av varje besiktning av en kompetent person ska dokumenteras på kopior av "Besiktning- och underhållslogg".
- 1.7 EFTER ETT FALL:** Om Lad-Saf-systemet har utsatts för fallstoppskraft ska det omgående tas ur bruk och tydligt märkas "FÅR EJ ANVÄNDAS". Lad-Saf systemet och säkerhetsvajerhylsan måste sedan förstöras eller vidarebefordras till 3M för att bytas ut.

## 2.0 SYSTEMKRAV

- 2.1 FÖRANKRING:** Kraven på förankring varierar mellan olika fallskyddstillämpningar. Den konstruktion på vilken säkerhetssystemet för stegar placeras eller monteras måste uppfylla de förankringsspecifikationer som definieras i tabell 1.
- 2.2 RISKER:** Vid användning av utrustningen på platser med miljöfaror kan ytterligare försiktighetsåtgärder krävas för att undvika att användare eller utrustning skadas. Riskerna är bl.a.: hög värme, kemikalier, frätande miljöer, högspänningsledning, explosiva eller giftiga gaser, rörligt maskineri, vassa kanter och material på högre höjd som kan falla ned och träffa användaren eller det personliga fallskyddssystemet.
- 2.3 KOMPABILITET MED CLIMB ASSIST:** Använd inte en motordriven Climb Assist (PCA) med ett 3M fallskyddssystem för klättring på stegar (CLFAS), inklusive Lad-Saf vertikala livlina och Lad-Saf X2, X3 eller X3+ avtagbara vajerhylsor, såvida inte en PCA har verifierats av 3M som kompatibel med 3M:s CLFAS. Underlåtenhet att följa denna varning kan leda till att en användares fall inte stoppas på ett säkert sätt i händelse av ett fall från höjd vid användning av oförenliga PCA- och CLFAS-system. Vänd dig till 3M:s tekniska kundtjänst på 3MFallProtectionTech@mmm.com vid eventuella frågor.

Användning av Climb Assist-system som inte är förenliga med 3M:s vertikala system kan leda till allvarliga personskador eller dödsfall.

- 2.4 KOMPONENTERS KOMPATIBILITET:** Om inget annat anges är 3M-utrustning endast avsedd för komponenter och delsystem som är godkända av 3M. Ersättning eller utbyte mot icke godkända komponenter eller delsystem kan äventyra utrustningens kompatibilitet och påverka hela systemets säkerhet och tillförlitlighet.
- 2.5 KOPPLINGARS KOMPATIBILITET:** Kopplingsdon och kopplade komponenter anses kompatibla om de har en sådan utformning att de, oavsett hur de vänds och vrids, fungerar tillsammans så att deras storlek och form inte orsakar att öppningsmekanismerna öppnas oavsiktligt. Kontakta 3M om du har frågor om kompatibilitet.
- Kopplingar (krokar, karbinhakar och D-ringar) måste ha kapacitet att bära upp minst 22,2 kN (5 000 lbf). Kopplingsdon måste vara kompatibla med förankringar eller andra systemkomponenter. Använd inte utrustning som inte är kompatibel. Icke-kompatibla kopplingar kan lossna av misstag (se figur 4). Kopplingar måste vara kompatibla i storlek, form och styrka. Om det kopplingsdon som en automatkrok eller karbinkrok kopplas i är underdimensionerat eller har felaktig form, kan en situation uppstå där kopplingsdonet anbringar en kraft på automatkrokens eller karbinkrokens (A) öppningsmekanism. Denna kraft kan orsaka att öppningsmekanismen öppnas (B), och att automatkroken eller karbinkroken lossnar från kopplingspunkten (C).
- Självslående automatkrokar och karbinhakar krävs enligt ANSI Z359 och OSHA.

**1 Kompetent person:** En person som kan identifiera befintliga och förutsägbara risker i omgivningen samt hälsovådliga, riskfyllda eller farliga arbetsförhållanden för anställda och som har befogenhet att vidta omedelbara korrigerande åtgärder för att eliminera sådana risker och förhållanden.

**2 Kvalificerad person:** En person med erkänd examen, certifikat eller yrkesställning, eller som genom omfattande kunskap, utbildning och erfarenhet, har visat sin förmåga att lösa problem som rör fallskydds- och räddningssystem i den utsträckning som krävs av OSHA eller andra tillämpliga federala, statliga och lokala bestämmelser.

**3 Behörig person:** En person som utsetts av arbetsgivaren att utföra arbeten på platser där personen utsätts för fallrisk.

**4 Räddningspersonal:** Person eller personer, andra än den nödställda, som deltar i utförandet av en räddning med hjälp av ett räddningssystem.

**5 Besiktningintervall:** Vid mycket ogynnsamma användningsförhållanden (hård miljö, lång tids användning m.m.) kan tätare besiktningar av kompetent person krävas.



**2.6 KOPPLING:** Automatкроkar och karbinhakar som används med denna utrustning skall vara självlåsandе. Kontrollera att alla kopplingar är kompatibla i storlek, form och styrka. Använd inte utrustning som inte är kompatibel. Kontrollera att alla kopplingar är helt stängda och låsta.

3M:s kopplingar (automatкроkar och karbinkrokаr) är endast avsedda att användas enligt respektive produkts bruksanvisning. Figur 5 innehåller exempel på olämpliga anslutningar. Anslut inte automatкроkar och karbinhakar:

- A. Till en D-ring där annan koppling är fäst.
- B. På ett sätt som kan orsaka att öppningsmekanismen belastas. Automatкроkar med stora öppningar ska inte anslutas till D-ringar i standardstorlek eller liknande föremål eftersom det orsakar en belastning på öppningsmekanismen om haken eller D-ringen vrids eller roterar, såvida inte automatкроken är utrustad med en öppningsmekanism som klarar 16 kN. Kontrollera automatкроkens märkning för att avgöra om den passar för din tillämpning.
- C. I en falsk koppling, där delar som sticker ut på automatкроken eller karbinkroken fastnar i förankringen, och utan visuell bekräftelse tycks vara helt fastkopplade i förankringspunkten.
- D. Till varandra.
- E. Direkt till vävband, kopplingslinor eller omtagslinor (såvida inte tillverkarens instruktioner för både kopplingslinan och kopplingen specifikt tillåter sådan koppling).
- F. Till ett föremål som är utformat eller har sådan storlek att automatкроken eller karbinkroken inte stängs, eller om det finns risk för utrullning.
- G. På ett sätt som förhindrar kopplingsdonet från att vara korrekt riktat vid belastning.

### 3.0 INSTALLATION

Mer information om installationsprocedurer för Lad-Saf-systemet finns i produktens installationsanvisningar. Se IFU 5908282 eller IFU 5903435 för mer information.

**3.1 PLANERING:** Planera din användning av Lad-Saf säkerhetssystem för stegar innan arbetet påbörjas. Ta hänsyn till alla faktorer som kan påverka säkerheten före, under och efter ett fall. Ta hänsyn till alla krav, begränsningar och specifikationer som är angivna i Avsnitt 2 och Tabell 1.

- Se till att systemet är klassat för erforderligt antal användare.
- Det finns risker förknippade med koppling till och från systemet. Använd sekundärt fallstoppskydd. Se till att godtagbara förankringspunkter, landningsplattformar eller andra stöd finns tillgängliga på inkopplings- och losskopplingspunkterna för att medge säkra övergångar till och från systemet.
- En minsta fallmarginal på 2,0 m (7,0 ft) krävs mellan användarens fötter och underlaget. Användaren kanske inte skyddas mot att falla ned på marken eller plattformen under de första 2,0 m (7,0 ft) av uppstigningen eller de sista 2,0 m (7,0 ft) av nedstigningen. Tillämpa korrekta klättringsrutiner (t.ex. bibehåll tre kontaktpunkter för händer och fötter) när du går upp- eller nedför någon del av stegen som inte skyddas av Lad-Saf™-systemet.
- Tillämpa korrekta säkerhetsrutiner vid klättring. Bär inte med verktyg eller utrustning för hand. Ha händerna fria för klättring. Spänn fast artiklar du bär med dig, så att de inte kan falla ned på personer nedanför dig. Klättra enligt din egen förmåga. Långa klättringar kan kräva flera pauser på vägen upp eller ned för att förhindra utmattning. Använd korrekt arbetslägesutrustning för vilopaus. **Klättra** inte i kraftig vind eller dåligt väder.
- Se till att enbart en användare klättrar mellan vajerstyrningarna.

**3.2 ANSLUTA HYLSAN TILL BÄRLINAN:** Lad-Saf X3 vertikala säkerhetsvajerhylsa måste anslutas till ett 3M Lad-Saf säkerhetssystem för stegar vid användning. Se Figur 7 för information. Så här ansluter du Lad-Saf X3-vajerhylsan till Lad-Saf-systemets bärlina:

1. **Placera hylsan så att "upp"-pilen på hylsan (I) är vänd i uppstigningsriktningen.**
2. **Vrid låsspaken (E) till upplåst läge.** Figur 3 visar låshandtagets låsta (A) och olåsta (B) positioner. Låsspaken finns på båda sidor av den avtagbara linhylsan för högerhänt eller vänsterhänt funktion.
3. **Dra tillbaka den roterande sidoplattan (B) till ändläget.** När väl den roterande sidoplattan befinner sig i sitt yttersta läge går det att lossa låsspaken (E). Låskammen (H) kommer att vara helt utsträckt.
4. **Vrid handtaget (C) till fullt upprätt läge.** Därigenom sjunker låskammen undan så att det går att installera hylsan på vajern.
5. **Håll glidlåset upprätt och för in vajern (J) genom öppningen på glidlåsets sida med en uppåtlyftande rörelse.** Placera linan i hylsans fördjupning. Lossa handtaget (C), den roterande sidoplattan (B) och låshandtaget (E) för att låsa fast hylsan på vajern. **Se till att låsspaken (E) är i låsläget före användning.**

**3.3 ANSLUTA VAJERHYLSAN TILL SELEN:** Hopkopplingen mellan vajerhylsan och helkroppsselen kan göras före eller efter att hylsan har monterats på Lad-Saf-systemet. Ett sekundärt fallskyddssystem rekommenderas vid anslutning till eller bortkoppling från Lad-Saf-systemet. Omplacering av hylsan under upp- eller nedstigning utsätter användaren för fallrisker. Lad-Saf-systemet måste ha en maximal vinkel på 15° från vertikalt vid alla tidpunkter under användning.

Använd inte andra anslutningsenheter eller kombinera enheter (t.ex. en kopplingslina) med kontakten som medföljer hylsan. Använd alltid karbinhakens koppling som medföljer vajerhylsan vid användning. Ersätt den inte med andra anslutningar.

- **UPPSTIGNING:** Bibehåll alltid trepunktskontakt (med händer och fötter) under uppstigning. Lad-Saf X3 avtagbar vajerhylsa kommer att följa den klättrande. Vajern kommer att snäppas loss från vajerstyrningarna i takt med att de påträffas. **Placera inte om eller ta bort hylsan från bärlinan när du passerar vajerstyrningarna eller om hylsan låser sig.**
- **NEDSTIGNING:** Bibehåll alltid trepunktskontakt (med händer och fötter) och ta det lugnt under nedstigningen. Låt Lad-Saf X3 avtagbar vajerhylsa "leda" den klättrande nedåt. Nedstigning ur läge (t.ex. om du lutar dig kraftigt bakåt eller klättrar ryckvis) kan leda till att hylsan låser sig på bärlinan. Om glidlåset låser sig på vajern: gå en aning uppåt för att få det att lossna och fortsätt sedan att gå nedför stegen. Återanslut bärlinan in i vajerstyrningarna efter att varje vajerstyrning har passerats. **Placera inte om eller ta bort hylsan från bärlinan när du passerar vajerstyrningarna eller om hylsan låser sig.**
- **KOPPLA LOSS:** När klättringen är slutförd kopplar du loss vajerhylsan från systemet. Se figur 2 för komponentreferenser.
  1. Ta bort hylsan från vajern genom att vrida låsspaken (E).
  2. Dra sidoplattan (B) bakåt och sväng handtaget (C) till fullt upprätt läge.
  3. hylsan kan nu tas bort från vajern och förvaras på ett korrekt sätt.

### 4.0 ANVÄNDNING

**4.1 FÖRE VARJE ANVÄNDNING:** Kontrollera att arbetsområdet och det personliga fallskyddssystemet uppfyller alla villkor i Avsnitt 2 och att en formell räddningsplan har upprättats. Kontrollera Lad-Saf-systemet enligt "Användarens kontrollpunkter" som finns i "Besiktning- och underhållslogg" (tabell 2). Använd inte systemet om ett osäkert eller defekt tillstånd upptäcks vid besiktning. Ta systemet ur bruk omedelbart och markera det tydligt med orden "ANVÄND INTE". Lad-Saf vertikala system och säkerhetsvajerhylsa måste sedan förstöras eller skickas till 3M för att bytas ut.

**4.2 SYSTEMANSLUTNINGAR:** Lad-Saf-systemet måste användas med en helkroppssela. Helkroppssela till ANSI 2359.11, CSA Z259.10, SS-EN 361 eller annan gällande nationell, regional eller lokal standard. Se tillverkarens anvisningar för korrekt montering av helkroppsselen. För att använda helkroppsselen kopplar du på din karbinhake från Lad-Saf-systemet till den främre D-ringen (A) på helkroppsselen. Det är förbjudet att använda någon annan kontakt eller D-ring på helkroppsselen.

Enligt OSHA 1910.29 och OSHA 1926.1053 får längden på anslutningen mellan bärlinan och anslutningspunkten inte överskrida 23 cm.

## 5.0 BESIKTNING

- 5.1 BESIKTNINGSINTERVALL:** Lad-Saf-systemet ska besiktas med de intervall som anges i Avsnitt 1. Besiktningssprocedurerna beskrivs i "Besiktning- och underhållslogg" (tabell 2). Besikta alla övriga komponenter i fallskyddssystemet med de intervall och procedurer som anges i tillverkarens anvisningar.
- 5.2 DEFEKTER:** Om inspektionen avslöjar ett osäkert eller defekt tillstånd, eller om det uppstår tvivel om systemets skick, ska du omedelbart ta Lad-Saf-systemet ur bruk och tydligt markera det med orden "ANVÄND INTE". Lad-Saf vertikala system och säkerhetsvajerhylsa måste sedan förstöras eller skickas till 3M för att bytas ut. Försök inte reparera systemet.
- 5.3 PRODUKTENS LIVSLÄNGD:** Lad-Saf-systemets livslängd beror på arbetsförhållanden och underhåll. Den får användas så länge den uppfyller besiktningsskruven.

## 6.0 UNDERHÅLL, SERVICE OCH FÖRVARING

- 6.1 RENGÖRING AV SYSTEMET:** Se avsnitt 5.0 för inspektionsrelaterade underhållsproblem. Om bärlinan blir kraftigt nedsmutsad med olja, fett, färg eller andra ämnen, rengör du den med varmt tvålsvatten. Torka av den med en ren, torr trasa. Snabbtorka den inte genom uppvärmning. Använd inte syror eller frätande kemikalier som kan skada den.

Ytterligare underhålls- och serviceprocedurer skall utföras av ett auktoriserat servicecenter. Godkännandet måste vara skriftligt.

- 6.2 RENGÖRA VAJERHYLSAN:** En smutsig Lad-Saf X3 vertikal säkerhetsvajerhylsa kan rengöras enligt följande förfarande:

1. Blanda fyra delar varmt vatten med en del milt rengöringsmedel (t.ex. Simple Green eller liknande lösning).
2. Sänk ned vajerhylsan i lösningen och låt hela vajerhylsan ligga i blandningen i 2–3 timmar.
3. Ta bort vajerhylsan från lösningen och skölj med varmt vatten i minst 1 minut. Var noga med att ta bort större smutsansamlingar.
4. Låt vajerhylsan lufttorka i 24 timmar före användning. Det går bra att använda kall tryckluft.
5. Se Figur 2 för information. Applicera en liten mängd smörjmedel på vridningspunkter (E) eller på sidoplattans bas (B).
6. Genomför en inspektion före användning enligt beskrivningen i avsnitt 5.3. Kontrollera att inget skräp har fastnat internt, eftersom det kan påverka användningen av vajerhylsan.

- 6.3 FÖRVARING OCH TRANSPORT:** Förvara Lad-Saf X3 vertikal säkerhetsvajerhylsa på en sval, torr och ren plats skyddat från direkt solljus. Undvik områden där det förekommer kemikalieångor. Kontrollera hylsan noggrant efter långvarig förvaring. Transportera Lad-Saf-vajerhylsan i förpackningen för att skydda det mot hack, fukt eller ultraviolett ljus. Undvik korrosiv, överhettad eller kylad atmosfär.

- 6.4 SERVICE:** Endast 3M eller parter med skriftligt godkännande från 3M får reparera utrustningen. Om Lad-Saf vertikala system och säkerhetsvajerhylsa har utsatts för fallkraft eller om inspektionen avslöjar ett osäkert eller defekt tillstånd ska du omedelbart ta systemet ur bruk och tydligt markera det med orden "ANVÄND INTE". Lad-Saf vertikala system och säkerhetsvajerhylsa måste sedan förstöras eller skickas till 3M för att bytas ut.

## 7.0 RFID-TAGG

- 7.1 OMRÅDE:** 3M-produkten som omfattas av denna bruksanvisning är försedd med en RFID-tagga (Radio Frequency Identification). RFID-taggar kan användas tillsammans med en skanner för RFID-taggar för att registrera resultat av produktinspektioner. Se bild 8 för att se var RFID-taggen finns.
- 7.2 BORTSKAFFANDE:** Innan produkten kasseras ska RFID-taggen tas bort. Produkten lämnas för skrotning/återvinning enligt lokala bestämmelser. Mer information om borttagning av RFID-taggen finns på webbplatsen som nås genom länken nedan.



Kassera inte produkten bland osorterat hushållsavfall. Den överkorsade sopkärlssymbolen indikerar att allt elektriskt och elektroniskt avfall måste bortskaffas enligt lokala bestämmelser genom inlämning till lokala återvinnings- och insamlingsssystem. Kontakta återförsäljaren eller din lokala 3M-representant för ytterligare information.

Mer information finns på vår webbplats: <http://www.3M.com/FallProtection/RFID>



## 8.0 ETIKETTER och MÄRKNINGAR

**8.1 ETIKETTER:** Figur 9 visar etikettplatser på Lad-Saf säkerhetssystem för stegar. Figur 10 visar varje etikett i detalj. Etiketter utan en angiven plats på systemet måste placeras på en plats i närheten av Lad-Saf-systemet. Följande information finns på varje etikett:

<b>A</b>	A) Vajerhylsans modellnummer B) Serienummer C) Varningsmeddelande – följ alla instruktioner för användning. D) Läs alla användarinstruktioner. E) För högst en användare. F) Tillämplig standard G) Uppgifter om anmält organ H) Krav på användarvikt
<b>B</b>	A) "Upp" på vajerhylsan vid användning.
<b>C</b>	A) Maximalt tillåtet avstånd mellan systemlina och selens infästningspunkt är 23 cm (9,0 tum). B) Använd inte vajerhylsan med en kopplingslina. Modifiera inte systemet på något sätt.
<b>D</b>	ID/serienummer (ÅÅMMVVTT): ÅÅ = tillverkningsårets två sista siffror. MM = tillverkningsmånad. VV = tillverkningsvecka. TT = 3M internt.
<b>E</b>	1) Installationsdatum 2) Installerades av 3) Förankringskrav 4) Maximalt antal användare per system 5) Systemlängd 6) Tillverkningsdatum 7) Datum för inspektion 8) Serienummer 9) Systemvarningar 10) Tabell för kompatibla vajertyper och vajerhylsor samt standardgodkännanden. 11) RFID-tagga (se avsnitt 7.0)

**Tabell 2 – Besiktnings- och underhållslogg**

<b>Besiktningsdatum:</b>		<b>Besiktning utförd av:</b>	
<b>Komponent:</b>	<b>Besiktning::</b> (Se avsnitt 2 angående <i>besiktningsintervall</i> )	<b>Användare</b>	<b>Kompetent person</b>
Vajerhylsa (Figur 2)	Kontrollera handtaget (C) avseende böjningar, sprickor och deformationer. Alla fästankordningar måste vara ordentligt fastsatta. Handtag och kam måste löpa fritt fritt och jämnt. Fjädrar måste vara förankrade och ha tillräcklig styrka att dra ner handtaget. Handtaget fungerar även som energiabsorbent och fallindikator. Handtaget kommer att deformeras om det används för fallstopp. Figur 11.3 visar ett exempel på ett handtag som inte har använts för fallstopp (A) och ett handtag som har använts för fallstopp och som är deformerat (B). Ta handtaget ur bruk om det har deformerats mer än A=12,7 mm (1/2 tum). Hylsan måste tas ur bruk.	<input type="checkbox"/>	<input type="checkbox"/>
	Kontrollera att låsspaken (E) har en jämn funktion, och se till att den fjädrar tillbaka till sitt låsläge när den släpps.	<input type="checkbox"/>	<input type="checkbox"/>
	Kontrollera låskammen (H) avseende slitage. Verifiera att ingen skada förekommer på kammen.	<input type="checkbox"/>	<input type="checkbox"/>
	Kontrollera kammen (H) genom att hålla hylsan vertikalt med handtaget (C) i upprätt läge och skaka hylsan uppåt och nedåt för att simulera ett fall. Kammen ska rotera fritt.	<input type="checkbox"/>	<input type="checkbox"/>
	Inspektera kammen (H) genom att placera hylsan vågrätt med handtaget (C) i upprätt läge och placera hylsan med baksidan ned på en plan yta och Lad-Saf X3-etiketten vänd uppåt. Kammen ska rotera helt uppåt till toppen av hylsan.	<input type="checkbox"/>	<input type="checkbox"/>
	Kontrollera sidplattans (B) funktion genom att dra den bakåt för att försöka öppna vajeröppningen. Den får inte rotera. Om den roterar utan att låsspaken (E) måste vridas ska hylsan tas ur bruk.	<input type="checkbox"/>	<input type="checkbox"/>
	Kontrollera hela enheten med avseende på tecken på korrosion.	<input type="checkbox"/>	<input type="checkbox"/>
Övre monteringsfäste (Figur 11.2)	Kontrollera att systemet är korrekt installerat enligt Installationsanvisningar för Lad-Saf™ vertikalt säkerhetssystem med flexibel vajer, 3M Fallskyddshandbok nr 5908282 eller nr 5903435.	<input type="checkbox"/>	<input type="checkbox"/>
	Kontrollera avseende synliga skador eller korrosion. Se om det finns sprickor, böjningar eller slitage som kan påverka systemets styrka och funktion. Inspektera svetsfogar. Se om det finns spruckna eller trasiga svetsfogar som skulle kunna påverka fästets styrka. Byt ut delar om defekter konstateras.	<input type="checkbox"/>	<input type="checkbox"/>
	Kontrollera avseende lösa eller saknade fästdon som håller samman övre monteringsfäste med konstruktionen (bultar, fästplattor, U-bultar). Om fästelement är lösa ska de dras åt efter behov till åtdragningsmoment enligt Installationsanvisningar som medföljer Lad-Saf stegsäkerhetssystem med flexibel vajer.	<input type="checkbox"/>	<input type="checkbox"/>
	Kontrollera topplåten avseende deformation. Avståndet ska vara minst 5 mm (0,20 tum) vid A.	<input type="checkbox"/>	<input type="checkbox"/>
	Se till att både den stora sprinten (B) och den lilla sprinten sitter på plats. Se till att fjäderstödet (C) sitter på plats.	<input type="checkbox"/>	<input type="checkbox"/>
	Kontrollera förankringspunkten (D) avseende sprickor eller tecken på skador. Kontrollera fästelementets åtdragningsmoment. Se till att brickans markeringar är synliga.	<input type="checkbox"/>	<input type="checkbox"/>
Nedre monteringsfäste (Figur 11.1)	Kontrollera att systemet är korrekt installerat enligt Installationsanvisningar för Lad-Saf™ vertikalt säkerhetssystem med flexibel vajer, 3M Fallskyddshandbok nr 5908282 eller nr 5903435.	<input type="checkbox"/>	<input type="checkbox"/>
	Kontrollera med avseende på skador eller korrosion. Se om det finns sprickor, böjningar eller slitage som kan påverka systemets styrka och funktion. Byt ut delar om defekter konstateras.	<input type="checkbox"/>	<input type="checkbox"/>
	Kontrollera avseende lösa eller saknade fästdon som fäster det nedre monteringsfästet vid konstruktionen. Om fästdon sitter löst ska de dras åt efter behov till de åtdragningsmoment som finns angivna i de installationsanvisningar som levererades med Lad-Saf stegsäkerhetssystemet med flexibel vajer.	<input type="checkbox"/>	<input type="checkbox"/>
	Inspektera spännstångsenheten. Förvissa dig om att sadelklämmorna håller fast vajern säkert. Kontrollera sadelklämmornas åtdragningsmoment, dra åt till 47 Nm (35 ft-lb). Byt ut eller dra åt om defekter konstateras.	<input type="checkbox"/>	<input type="checkbox"/>

**Tabell 2 – Besiktnings- och underhållslogg**

<b>Besiktningsdatum:</b>		<b>Besiktning utförd av:</b>	
<b>Komponent:</b>	<b>Besiktning::</b> (Se avsnitt 2 angående <i>besiktningsintervall</i> )	<b>Användare</b>	<b>Kompetent person</b>
Linstyrningar (Figur 1)	Kontrollera kabelstyrningarna med avseende på skador. Se efter om det svarta uretanskiktet är slitet eller skadat. Vajerstyrningar ska hålla vajern på plats och hindra den från att komma i kontakt med stegen/konstruktionen. Vajerstyrningarna ska placeras vid cirka 6–12 m (20–40 fot) längs bärlinan eller närmare vid behov. Byt ut delar om defekter konstateras.	<input type="checkbox"/>	<input type="checkbox"/>
	Kontrollera kabelstyrningsfästdonen. Fästdonen ska hålla linstyrningen säkert på plats. Dra åt vid behov.	<input type="checkbox"/>	<input type="checkbox"/>
Vajer (Figur 1)	Kontrollera kabeln avseende korrosion, veckningar eller skador som kan påverka dess styrka och hindra kabelhulsans förflyttning längs kabeln. Om det finns några bockningar eller veck på stegvajern, måste vajern inspekteras av en Kompetent person innan den används. Inspektera med avseende på tecken på nötning mot stegen eller konstruktionen. Byt ut vajern om defekter konstateras.	<input type="checkbox"/>	<input type="checkbox"/>
	Kontrollera att töjningen är lämplig. Spåret ska synas ovanför den nedersta mallen (se förklaringen "E", figur 11.1). Du ska inte kunna dra spännstången nedåt för hand. Vajern ska vara tillräckligt spänd för att förhindra kontakt med stegen/konstruktionen. Spänn vajern på nytt vid behov. Dra inte åt systemet för hårt.	<input type="checkbox"/>	<input type="checkbox"/>
Etiketter (Figur 9)	Kontrollera att alla etiketter sitter på plats och är läsbara.	<input type="checkbox"/>	<input type="checkbox"/>
Personliga fallskyddssystem och övrig utrustning	Ytterligare utrustning för personligt fallskyddssystem (PFAS) (sele, SRL-block osv.) som används tillsammans med förankringssystemet, ska installeras och besiktas enligt tillverkarens anvisningar.	<input type="checkbox"/>	<input type="checkbox"/>
Konstruktion	Kontrollera att den konstruktion som systemet monteras på uppfyller alla hållfasthetskrav i tabell 1, i alla förekommande belastningsriktningar.	<input type="checkbox"/>	<input type="checkbox"/>

<b>Serienummer:</b>	<b>Inköpsdatum:</b>
<b>Modellnummer:</b>	<b>Datum för första användning:</b>

<b>Korrigerande åtgärd/underhåll:</b>	Godkänt av:	Nästa besiktning ska utföras:
	Datum:	
<b>Korrigerande åtgärd/underhåll:</b>	Godkänt av:	Nästa besiktning ska utföras:
	Datum:	
<b>Korrigerande åtgärd/underhåll:</b>	Godkänt av:	Nästa besiktning ska utföras:
	Datum:	
<b>Korrigerande åtgärd/underhåll:</b>	Godkänt av:	Nästa besiktning ska utföras:
	Datum:	
<b>Korrigerande åtgärd/underhåll:</b>	Godkänt av:	Nästa besiktning ska utföras:
	Datum:	
<b>Korrigerande åtgärd/underhåll:</b>	Godkänt av:	Nästa besiktning ska utföras:
	Datum:	
<b>Korrigerande åtgärd/underhåll:</b>	Godkänt av:	Nästa besiktning ska utföras:
	Datum:	
<b>Korrigerande åtgärd/underhåll:</b>	Godkänt av:	Nästa besiktning ska utföras:
	Datum:	
<b>Korrigerande åtgärd/underhåll:</b>	Godkänt av:	Nästa besiktning ska utföras:
	Datum:	
<b>Korrigerande åtgärd/underhåll:</b>	Godkänt av:	Nästa besiktning ska utföras:
	Datum:	
<b>Korrigerande åtgärd/underhåll:</b>	Godkänt av:	Nästa besiktning ska utföras:
	Datum:	

在使用此垂直系统之前，请阅读、理解并遵守此类指南中包含的所有安全信息。否则，可能导致重伤或死亡。

必须向本设备用户提供这些使用说明。保存好这些说明，以备日后查阅。

## 适用范围：

此垂直系统旨在作为整套个人坠落防护系统的一部分。

在 3M 并未允许的其他情形下使用本工具（包括但不限于材料搬运、娱乐或运动相关的活动，或者产品使用说明书中未描述的其他活动）可能造成重伤或死亡。

本设备只能由经过培训的使用者在工作场所使用。

## 警告

这种柔性钢缆/刚性导轨系统是个人坠落防护系统的一部分。所有使用者都应接受有关安全安装和操作其个人坠落防护系统的充分培训。**对此设备的不当使用可能导致重伤或死亡。**为确保妥善选择、操作、安装、维护和使用，请参考产品使用说明书和所有制造商建议、咨询主管或联系 3M 技术服务人员。

- **为减少使用 柔性钢缆/刚性导轨系统的相关风险（此类风险如不能避免，将导致重伤或死亡）：**
  - 在每次使用前（至少每年一次），以及任何坠落事件后，检查系统的所有组件。按照产品使用说明书进行检查。
  - 如果检查发现系统组件中存在不安全或有缺陷的情况，请停止使用组件并将其销毁。
  - 任何已经受到坠落悬挂或冲击力的柔性钢缆/刚性导轨系统必须立即停止使用，所有组件在再次使用前必须由合格人员进行检查。
  - 请不要连接到正在安装中的系统。
  - 确保系统针对同时使用的用户数量进行了适当评估。
  - 拆开钢缆包装时，钢缆可能会迅速解开。拆开钢缆包装时，请使用正确的安全程序和适当的个人防护设备。
  - 仅使用经过批准的连接将安全带连接到系统。不要使用任何其他连接设备。
  - 只能使用产品使用说明书中指定和批准的钢缆。
  - 不要干扰滑梭/自锁器装置的锁定动作。仅仅在连接和分离系统时手动操作。
  - 在攀爬时始终保持三个接触点。有关正确攀爬技术的更多信息，请参阅产品使用说明书。
  - 确保由不同制造商生产的组件组装的坠落防护系统/子系统兼容并符合适用标准的要求，包括 ANSI Z359 或其他适用的坠落防护法规、标准或要求。在使用这些系统之前，请务必咨询合格人员和/或有资质的人员。
- **减少在高空作业的相关风险（此类风险如不能避免，可能导致重伤或死亡）：**
  - 确保您的健康和身体条件允许您安全地承受与在高空作业相关的所有作用力。如果您对使用本设备的能力有任何疑问，请咨询您的医生。
  - 绝对不要超过坠落防护装备的允许负载。
  - 绝对不要超过坠落防护装备的最大自由坠落距离。
  - 不要使用任何未能通过预使用或其他预定检查的坠落防护装备，或者如果您对设备在您的应用中的使用或适用性有疑虑，也不要使用。如有任何问题，请联系 3M 技术服务。
  - 有些子系统和组件组合可能会干扰本设备的正常运行。仅使用可兼容的连接。在将本设备与用户使用说明书未列举的组件或子系统组合使用之前请咨询 3M。
  - 在移动的机械（例如钻井平台的顶部驱动）周围、触电风险、极端气温、化学危险、爆炸或有毒气体、尖锐边缘，或者头顶上方的物体会坠落到您或您的坠落防护装备上等情况使用时须格外注意。
  - 在炎热环境中工作时，请使用防电弧火花或防高温设备。
  - 避免可能损坏用户或设备的表面和物体。
  - 确保在高空作业时有足够的坠落间隙。
  - 切勿修改或更改坠落防护装备。仅 3M 或经 3M 书面授权的结构方能维修该设备。
  - 在使用坠落防护装备之前，确保有救援计划，以便在发生坠落事件时迅速救援。
  - 如果发生坠落事件，立即让发生坠落的工人就医治疗。
  - 不要使用腰带用于坠落悬挂应用。只能使用全身式安全带。
  - 工作时请尽量位于挂点正下方，以尽量避免发生摆动坠落。
  - 如果使用本设备进行训练，则必须使用辅助坠落防护系统，杜绝让受训人员遭受意外坠落的危险。
  - 在安装、使用或检修设备/系统时必须始终穿着合适的个人防护装备。



安装和使用本设备之前, 将 ID 标签中的产品标识信息记录到本手册背面的“检查和维护记录”(表 2) 上。

始终确保您使用的是 3M 使用手册的最新版本。访问 3M 网站或联系 3M 技术服务部门以获取更新后的说明手册。

### 产品说明:

图 1 显示了 3M™ DBI-SALA® Lad-Saf™ 爬梯安全系统。Lad-Saf 爬梯安全系统用于为工人在攀爬固定梯或类似攀爬结构时提供坠落防护。Lad-Saf 系统由顶部支架、钢缆、钢缆自锁器、钢缆导向器、系统标签和底部支架组成。顶部支架 (A) 固定在梯子顶部, 与固定在梯子底部的底部支架 (F) 协同固定钢缆 (B)。钢缆自锁器 (C) 随着用户沿着钢缆上下移动, 并连接到用户安全带的前侧 D 形环上。钢缆导向器 (D) 确保钢缆保持在原位。系统标签 (E) 显示重要安全信息, 应置于系统上或系统附近的某处。系统标签在图 10 中显示为标签“E”。

图 2 显示了 Lad-Saf X3 钢缆自锁器的组件。钢缆自锁器由上滚轮、旋转侧板、手柄、自锁器主体、锁紧杆、下滚轮、安全钩和锁紧凸轮组成。上滚轮 (A) 与下滚轮 (F) 协同将钢缆自锁器固定到钢缆上。旋转侧板 (B) 和手柄 (C) 打开可将钢缆自锁器放置到钢缆上。自锁器主体 (D) 构成钢缆自锁器的主要结构。锁紧杆 (E) 锁定钢缆自锁器并防止装置意外打开。锁紧凸轮 (H) 在钢缆自锁器锁定时使其保持在原位。安全钩 (G) 连接至用户安全带的前侧 D 形环。

参见表 1 了解 Lad-Saf X3 垂直钢缆安全自锁器和系统的组件规格。

**表格 1 – 规格**

系统规格:						
系统安装:	安装说明		系统类型		系统描述	
	5908282		垂直		Lad-Saf 柔性钢缆安全系统	
	5903435		垂直		带旋转 D 形环的 Lad-Saf 柔性钢缆安全系统	
Lad-Saf 钢缆自锁器:	项目编号	启动力	最大展开长度	最低断裂强度	重量	
	6160054	450 磅力 (2.0 千牛)	4.0 英寸 (102 毫米)	3,600 磅力 (16 千牛)	2.1 磅 (1.0 千克)	
负载能力:	每位用户的组合重量 (衣服、工具等) 必须介于 88 磅至 310 磅 (40 公斤至 140 公斤) 之间。Lad-Saf 系统最多可以同时有四名用户, 但是每个 Lad-Saf X3 垂直钢缆安全自锁器仅能连接一名用户。如果有额外的用户, 则必须使用额外钢缆自锁器。					
挂点要求:	用户数量		挂点装置强度		用户数量	挂点装置强度
	1		2,700 磅力 (12 千牛)		3	3,940 磅力 (17.5 千牛)
	2		3,320 磅力 (14.8 千牛)		4	4,560 磅力 (20.3 千牛)
工作温度:	-40°F 到 140°F (-40°C 到 60°C)					
标准:	Lad-Saf X3 垂直钢缆安全自锁器和系统已依据本用户说明封面上所述的标准进行测试。					
钢缆规格:	Lad-Saf X3 钢缆自锁器仅能用于 3/8 英寸 (9.5 毫米) 直径的实心钢缆。禁止用于任何其他钢缆, 否则可能导致严重人身伤害或死亡。					
	项目编号	描述	材料	最低断裂强度	重量	
	6104XXX / CE 6134XXX	3/8 英寸 (9.5 毫米), 1 x 7	镀锌钢	15,400 磅力 (68.4 千牛)	0.27 磅 /英尺 (0.41 千克/米)	
	6105XXX / CE 6135XXX	3/8 英寸 (9.5 毫米), 1 x 7	不锈钢	18,000 磅力 (80 千牛)	0.27 磅 /英尺 (0.41 千克/米)	
	6106XXX / CE 6136XXX	3/8 英寸 (9.5 毫米), 7 x 19	镀锌钢	14,400 磅力 (64 千牛)	0.27 磅 /英尺 (0.41 千克/米)	
	6107XXX / CE 6137XXX	3/8 英寸 (9.5 毫米), 7 x 19	不锈钢	12,000 磅力 (53.3 千牛)	0.27 磅 /英尺 (0.41 千克/米)	

表格 1 - 规格

组件规格:

**Lad-Saf 爬梯安全系统:**

图 1 参考编号	组件	材料
Ⓐ	顶部支架	镀锌钢或不锈钢
Ⓑ	钢缆	镀锌钢或不锈钢
Ⓒ	钢缆自锁器	不锈钢
Ⓓ	钢缆导向器	聚氨酯
Ⓔ	系统标签	不锈钢
Ⓕ	底部支架	镀锌钢或不锈钢

**Lad-Saf 钢缆自锁器:**

图 2 参考编号	组件	材料
Ⓐ	上滚轮	尼龙
Ⓑ	旋转侧板	不锈钢
Ⓒ	手柄	不锈钢
Ⓓ	自锁器主体	不锈钢
Ⓔ	锁紧杆	不锈钢
Ⓕ	下滚轮	尼龙
Ⓖ	安全钩	镀锌钢
Ⓗ	锁紧凸轮	不锈钢

## 1.0 产品应用

- 1.1 目的:** Lad-Saf™ 爬梯安全系统是个人坠落防护系统的一部分。与 Lad-Saf™ 可拆卸式钢缆自锁器搭配使用时, Lad-Saf 爬梯安全系统用于工人在攀爬固定梯或类似的攀爬结构时提供坠落防护。

**仅限坠落悬挂:** 除了防坠落之外, 不要将 *Lad-Saf* 爬梯安全系统用于任何其他目的。

- 1.2 标准:** 爬梯安全系统符合本使用说明封面上标识的国家或地区标准。如果在原始目的地国家以外转售该产品, 则转售商必须使用产品所在国家的语言提供这些说明内容。
- 1.3 监督:** Lad-Saf 爬梯安全系统的使用必须由合格人员监督<sup>1</sup>。Lad-Saf 爬梯安全系统的安装必须由有资质的人员监督<sup>2</sup>。
- 1.4 培训:** Lad-Saf 爬梯安全系统必须由受过正确应用方面培训的人员安装和使用。本手册可用作国家、地区或地方标准要求的员工培训计划的一部分。本设备的安装者有责任确保自己熟悉这些使用说明, 接受正确维护和使用本设备的相关培训, 同时还应了解本设备的操作特点、应用局限性以及不当使用的后果。
- 1.5 救援方案:** 使用本设备和连接子系统时, 雇主必须已经制定救援方案以及实施方案的手段, 并向用户、经授权人员<sup>3</sup>和救援人员<sup>4</sup>传达该方案。建议成立一支训练有素的现场救援团队。应为团队成员提供执行成功救援所需的设备和技术。应定期提供培训以保证救援人员的熟练程度。
- 1.6 检查频率:** 在每次使用爬梯安全系统之前, 用户必须进行检查; 此外, 除了用户之外, 还须由合格人员予以检查, 检查间隔期限不超过一年。<sup>5</sup> 检查程序如“检查和维修记录”所述。合格人员的每次检查结果都应当记录到“检查和维修记录”的副本中。
- 1.7 坠落之后:** 如果 Lad-Saf 系统承受过制止坠落的力, 则必须立即停止使用并清晰标记“请勿使用”。然后必须销毁 Lad-Saf 钢缆安全自锁器和系统或将其转交给 3M 进行更换。

## 2.0 系统要求

- 2.1 挂点:** 挂点要求视坠落保护应用而定。放置或安装爬梯安全系统的建筑结构必须符合表 1 中定义的挂点规格。
- 2.2 危险:** 如果该设备使用区域存在环境危害, 可能需要其他预防措施, 以避免伤害用户或损坏设备。危险可能包括但不限于: 高温、化学品、腐蚀环境、高压电线、爆炸或毒性气体、运转的机械、锐边或头顶上方的物料可能掉落和接触用户或个人坠落悬挂系统。
- 2.3 攀登辅助系统兼容性:** 不要将电动攀登辅助 (PCA) 系统与 3M 爬梯防坠落系统 (CLFAS) (包括 Lad-Saf 垂直钢缆系统和 Lad-Saf X2、X3 或 X3+ 可拆卸式钢缆自锁器) 结合使用, 除非 PCA 已由 3M 认证为与 3M 的 CLFAS 兼容。未能遵守本警告可能导致, 在使用不兼容的 PCA 和 CLFAS 系统时, 如果发生高空坠落, 用户可能坠落而无法安全制止坠落。如有任何问题, 请联系 3M 技术服务, 邮箱 3MFallProtectionTech@mmm.com。

使用与 3M 垂直系统不兼容的攀登辅助系统可能导致严重人身伤害或死亡。

- 2.4 组件兼容性:** 3M 设备设计为仅可与 3M 核准的组件和子系统搭配使用。使用未经批准的组件或子系统进行替代或更换, 可能会危害设备的兼容性, 同时亦影响整个系统的安全性及可靠性。
- 2.5 连接器兼容性:** 若根据连接器的设计, 其尺寸和形状不会造成活门机构无故打开 (不管其定位方式如何), 则连接器与连接元件相互兼容。如果您对兼容性有任何疑问, 请联系 3M。

连接器 (挂钩、安全钩和 D 形环) 必须至少可承载 5,000 磅力 (22.2 千牛)。连接器必须与挂点或其他系统组件兼容。切勿使用不兼容的设备。不兼容的连接器可能会意外松脱 (参见图 4)。连接器必须在尺寸、形状和强度上均兼容。如果抓钩或安全钩所连接的连接部件尺寸较小或形状不规则, 可能会导致连接的部件给抓钩或安全钩的活门带来作用力。该作用力可能会造成活门打开 (B), 进而使抓钩或安全钩从连接点 (C) 脱离。

ANSI Z359 和 OSHA 要求使用自锁式抓钩和安全钩。

**1 合格人员:** 能够识别周围环境或工作条件中不利员工健康或对其有危害或危险的现有和预期危险, 同时亦有权采取及时纠正措施来消除这些危险的人员。

**2 有资质的人员:** 具有认可学位、证书或专业证书, 或具有广博的知识、培训和经验, 成功证明自己能够在 OSHA 或其他适用联邦、州和地方法规要求的范围内, 解决与坠落防护和救援系统有关的问题。

**3 经授权人员:** 由雇主指派到存在坠落危险的地点执行任务的人员。

**4 救援人员:** 相对于被救人员, 通过操作救援系统执行辅助救援的人员。

**5 检查频率:** 极端工作条件 (恶劣环境、长期使用等) 可能需要增加合格人员检查的频率。

**2.6 连接:** 用于本设备的抓钩和安全钩必须为自锁式。确保所有连接件在尺寸、形状和强度上都兼容。切勿使用不兼容的设备。确保所有连接器都完全闭合并锁定。

3M 的连接器 (抓钩和安全钩) 设计为仅限用于每个产品的用户说明书中所规定的用途。请参见图 5 查看连接不当的示例。不要将抓钩和安全钩:

- A. 连接到已连接另一个连接器的 D 形环。
- B. 以会给活门带来负载的方式连接。大开口抓钩不得连接到标准尺寸的 D 形环或类似部件上, 否则当挂钩或 D 形环发生缠绕或旋转时, 会给活门带来负载, 除非抓钩配备 3,600 磅 (16 千牛) 的活门。检查抓钩上的标识, 确认它适合您的应用。
- C. 以错误的啮合方式连接, 在这种情况下, 从抓钩或安全钩中突出的部件钩住挂点, 在未经目视确定下, 看起来好像已完全啮合到挂点上。
- D. 相互连接。
- E. 直接连接到织带或绳式安全绳或反扣 (除非制造商针对安全绳和连接器的使用说明明确允许此类连接)。
- F. 连接到自身形状或尺寸使抓钩和安全钩无法闭合与锁定或其本身可能滑出的任何部件。
- G. 以使连接器在负载情况下无法正确对齐的方式连接。

### 3.0 安装

有关 Lad-Saf 系统安装程序的更多信息, 请参阅产品安装说明。请参见 IFU 5908282 或 IFU 5903435 了解更多信息。

- 3.1 规划:** 在开始工作之前, 做好 Lad-Saf 爬梯安全系统的使用规划。考虑可能影响坠落之前、之中和之后安全的所有因素。考虑第 2 节和表 1 中定义的所有要求、限制和规格。
- 确保系统针对所需用户数量进行了评估。
  - 连接到系统以及从系统断开时存在危险。使用辅助坠落悬挂系统。确保进行连接和断开的位置有提供合适的挂点、着陆平台或其他方式, 以保证可以安全前往或离开系统。
  - 用户双脚与下面的表面之间的坠落间隙不能少于 7.0 英尺 (2.0 米)。用户在最初上升的 7.0 英尺 (2.0 米) 或最后下降的 7.0 英尺 (2.0 米) 期间着地时不会受到保护。在不受 Lad-Saf™ 系统保护的梯子任何部分上升或下降时应使用适当的攀爬程序 (例如通过双手和双脚保持 3 个接触点)。
  - 攀爬时使用适当的安全程序。手上不要拿工具或设备。确保空着双手攀爬。固定携带的物品, 避免其坠落到下面的攀爬者身上。请在自己能力允许的情况下进行攀爬。长时间地向上或向下攀爬需要中途休息几次, 以避免体力耗尽。休息时使用适当的工作定位设备。在大风或恶劣天气不要攀爬。
  - 确保钢缆导向器之间仅有一名用户正在攀爬。
- 3.2 将钢缆自锁器连接到承重钢缆上:** Lad-Saf X3 垂直钢缆安全自锁器必须连接至要使用的 3M Lad-Saf 爬梯安全系统上。请参见图 7, 若要将 Lad-Saf X3 钢缆自锁器安装到 Lad-Saf 系统的承重钢缆上:
1. 放置自锁器, 使自锁器上的“向上”箭头 (I) 指向上升方向。
  2. 将锁紧杆 (E) 旋转到未锁定位置。图 3 显示了锁定 (A) 和未锁定 (B) 锁紧杆位置。可拆卸式钢缆自锁器两侧均有锁紧杆, 因此右手和左手均可操作。
  3. 将旋转侧板 (B) 拉回至最远位置。当旋转侧板位于最远旋转位置时, 可释放锁紧杆 (E)。锁紧凸轮 (H) 将完全伸出。
  4. 将手柄 (C) 旋转至其完全直立位置。这可让锁紧凸轮缩回, 从而可以在钢缆上安装自锁器。
  5. 将自锁器直立, 通过向上提的动作将钢缆 (J) 插入到自锁器侧面的槽中。将钢缆置于自锁器凹口中。释放手柄 (C)、旋转侧板 (B) 和锁紧杆 (E) 将自锁器锁定到钢缆上。在使用之前, 确保锁紧杆 (E) 在锁紧位置。
- 3.3 将钢缆自锁器连接至安全带:** 可在钢缆自锁器安装到 Lad-Saf 系统上之前或之后进行钢缆自锁器与全身式安全带之间的连接。连接或断开 Lad-Saf 系统时, 建议使用辅助坠落防护系统。上升或下降时手动操作自锁器会给用户带来安全隐患。Lad-Saf 系统在使用时的最大垂直角度始终是 15°。

不要使用其他连接设备或将设备 (例如安全绳) 与钢缆自锁器随附的连接器结合使用。在使用期间, 始终使用钢缆自锁器随附的安全钩连接器。不要用其他连接器替代。

- **上升:** 若要攀登结构, 在始终保持三点接触 (通过双手和双脚) 的同时上爬。Lad-Saf X3 可拆卸式钢缆自锁器将随着攀爬者移动。承重钢缆和钢缆导向器相遇时, 承重钢缆会从钢缆导向器脱离。当承重钢缆经过钢缆导向器时或者自锁器锁定时不要操作自锁器或将自锁器从承重钢缆上移除。
- **下降:** 若要沿着结构向下爬, 在始终保持三点接触 (通过双手和双脚) 的同时平稳下降。让 Lad-Saf X3 可拆卸式钢缆自锁器“引导”攀爬者下降。下降姿势不正确 (例如过度后倾或不稳定地攀爬) 可能造成自锁器锁定到承重钢缆上。如果自锁器锁定, 稍微向上爬一点可让自锁器解锁, 然后再继续沿着结构向下爬。在经过每个钢缆导向器之后, 将承重钢缆与钢缆导向器重新连接。当承重钢缆经过钢缆导向器时或者自锁器锁定时不要操作自锁器或将自锁器从承重钢缆上移除。
- **断开连接:** 攀爬完成时, 将钢缆自锁器从系统断开。参见图 2 了解组件参考编号。
  1. 通过旋转锁紧杆 (E) 将自锁器从钢缆上卸下。
  2. 将侧板 (B) 拉回并将手柄 (C) 旋转至完全直立位置。
  3. 现在可从钢缆上取出自锁器并妥善存放。

### 4.0 使用

- 4.1 每次使用前:** 验证工作区域和个人防坠落系统 (PFAS) 是否符合第 2 节中定义的所有标准且正式救援计划是否已就位。检查 Lad-Saf 系统 (根据“用户”检查要点, 此检查要点在“检查和维护记录” (表 2) 中定义)。如果检查发现存在不安全或有缺陷的情况, 请不要使用系统。立即停止使用系统并清晰标记“请勿使用”。然后必须销毁 Lad-Saf 垂直钢缆安全自锁器和系统或发给 3M 进行更换。
- 4.2 系统连接:** Lad-Saf 系统必须与全身式安全带结合使用。全身式安全带符合 ANSI 2359.11、CSA Z259.10、EN 361 或其他适用国家、地区或地方标准。若要正确穿戴全身式安装带, 请参阅制造商的说明。若要连接至全身式安全带, 将 Lad-Saf 系统的安全钩连接至全身式安全带的前侧 D 形环 (A)。禁止与全身式安全带上任何其他连接点或 D 形环结合使用。

OSHA 1910.29 和 OSHA 1926.1053 规定滑梭和连接点之间的连接长度不得超过 9 英寸 (23 厘米)。

### 5.0 检查

- 5.1 检查频率:** 必须根据第 1 节中定义的时间间隔检查 Lad-Saf 系统。检查程序如“检查和维护记录” (表 2) 所述。根据制造商说明中定义的频率和程序检查防坠落系统的所有其他组件。
- 5.2 缺陷:** 如果检查发现存在不安全或有缺陷的情况, 或者对系统状况有任何疑问, 则立即停止使用 Lad-Saf 系统并清晰标记“请勿使用”。然后必须销毁 Lad-Saf 垂直钢缆安全自锁器和系统或发给 3M 进行更换。不要尝试维修系统。
- 5.3 产品使用寿命:** Lad-Saf 系统的有效使用寿命取决于工作条件和维护状况。只要产品通过检查标准, 即可继续投入使用。

## 6.0 维护、维修和存放

**6.1 清洁系统:** 请参阅第 5.0 节了解与检查相关的维护问题。如果承重钢缆因油脂、油漆或其他物质而变得很脏,请使用温和的肥皂水对其进行清洗。请用一块干净的干布擦拭钢缆。请勿通过高温方式快速干燥。请不要使用会损坏钢缆的酸性或腐蚀性化学品。

其他维护和维修程序必须由获授权的服务中心完成。授权必须采用书面形式。

**6.2 清洁钢缆自锁器:** 可使用下列程序清洁脏污的 Lad-Saf X3 垂直钢缆安全自锁器:

1. 将四份温水与一份温和清洁洗涤剂(例如 Simple Green 或相似洗涤剂)混合。
2. 将钢缆自锁器完全浸入到溶液中,并在混合溶液中浸泡钢缆自锁器 2-3 小时。
3. 从溶液中取出钢缆自锁器并用温水冲洗至少 1 分钟。确保去除任何多余的堆积污垢。
4. 在使用前,让钢缆风干 24 小时。可以使用加压冷风。
5. 请参见图 2 在旋转点 (E) 或侧板基座 (B) 处涂抹少量润滑油。
6. 根据第 5.3 节所述完成使用前检查。确保内部没有藏匿碎屑,否则可能影响钢缆操作。

**6.3 储存和运输:** 将 Lad-Saf X3 垂直钢缆安全自锁器存放在阴凉、干燥、清洁、没有阳光直射的环境。避免放在存在化学蒸汽之处。在长时间存放后,请彻底检查自锁器。

运输 Lad-Saf 钢缆自锁器时将其装在外箱中,从而防止其遭受任何切割、潮湿或紫外线照射。避免腐蚀性、过热或冷冻的环境。

**6.4 维修:** 仅 3M 或经 3M 书面授权机构方能维修该设备。如果 Lad-Saf 垂直钢缆安全自锁器和系统已受到坠落的力或检查发现存在不安全或有缺陷的情况,则立即停止使用系统并清晰标记“请勿使用”。然后必须销毁 Lad-Saf 垂直钢缆安全自锁器和系统或发给 3M 进行更换。

## 7.0 RFID 标签

**7.1 地点:** 本用户说明中涵盖的 3M 产品均配备无线射频识别 (RFID) 标签。RFID 标签可与 RFID 标签扫描仪搭配使用以记录产品检查结果。参见图 8 了解 RFID 标签的位置。

**7.2 弃置:** 在弃置本产品之前,去除 RFID 标签并根据当地法规弃置/回收。有关如何去除 RFID 标签的更多信息,请参阅下列网站链接。



请勿将本产品当作未分类市政垃圾处理。画叉的带轮垃圾箱符号表示所有 EEE (电气和电子设备) 必须根据当地法律通过可用回收系统进行处理。请联系经销商或当地 3M 代表了解更多信息。

有关更多信息,请访问我们的网站: <http://www.3M.com/FallProtection/RFID>



## 8.0 标签和标记

**8.1 标签:** 图 9 显示了 Lad-Saf 爬梯安全系统的标签位置。图 10 详细显示了每个标签。未列出在系统上位置的标签必须放置在 Lad-Saf 系统附近的位置。每个标签上提供的信息如下:

<b>A</b>	A) 钢缆自锁器型号 B) 序列号 C) 警告声明 - 遵守所有使用说明。 D) 阅读所有使用说明。 E) 最多一个用户。 F) 适用标准 G) 指定机构详情 H) 用户重量要求
<b>B</b>	A) 钢缆自锁器使用时的“向上”方向。
<b>C</b>	A) 系统钢缆和安全带连接点之间的最大允许距离是 9.0 英寸 (23 厘米)。 B) 不要将钢缆自锁器与安全绳结合使用。不要以任何方式修改系统。
<b>D</b>	ID/批号 (YYMMWWTT): YY = 生产年份的最后两位。MM = 生产月份。WW = 生产年份的星期。TT = 仅供 3M 内部使用。
<b>E</b>	1) 安装日期 2) 安装者 3) 挂点要求 4) 每个系统的最大用户数量 5) 系统长度 6) 生产日期 7) 检查日期 8) 序列号 9) 系统警告 10) 钢缆类型和自锁器兼容性表以及标准认证。 11) RFID 标签 (参见第 7.0 节)



表格 2 - 检查和维护记录

检查日期:		检查人:	
组件:	检查: (参见第 2 节查看检查频率)	用户	合格的人员
钢缆自锁器 (图 2)	检查手柄 (C) 是否弯曲、有裂缝和变形。所有紧固件必须牢固连接。手柄和凸轮的操作必须自由顺滑。弹簧必须安全并且具有足够强度将手柄拉下。手柄还充当缓冲器和坠落指示器。如果已经用于坠落悬挂, 则手柄将变形。图 11.3 显示了未用于坠落悬挂的手柄 (A) 和已用于坠落悬挂且已变形的手柄 (B)。如果手柄的变形大于 A = 1/2 英寸 (12.7 毫米), 则不要使用。必须停止使用此自锁器。	<input type="checkbox"/>	<input type="checkbox"/>
	检查锁紧杆 (E) 能否顺滑操作, 确保其在释放时可弹回至锁定位置。	<input type="checkbox"/>	<input type="checkbox"/>
	检查锁紧凸轮 (H) 是否磨损。确认凸轮没有损坏。	<input type="checkbox"/>	<input type="checkbox"/>
	竖直握住自锁器, 使手柄 (C) 处在直立位置, 并上下摇晃自锁器模拟坠落, 以此来检查锁紧凸轮 (H)。凸轮应自由旋转。	<input type="checkbox"/>	<input type="checkbox"/>
	水平放置自锁器, 使手柄 (C) 处在直立位置, 并将自锁器后侧置于平坦表面, 使 Lad-Saf X3 标签朝上, 以此来检查锁紧凸轮 (H)。凸轮应完全向上旋转至自锁器顶部。	<input type="checkbox"/>	<input type="checkbox"/>
	将侧板 (B) 拉回以尝试打开钢缆槽, 以此检查侧板的操作。它不能旋转。如果它不需要旋转锁紧杆 (E) 就能旋转, 则停止使用此自锁器。	<input type="checkbox"/>	<input type="checkbox"/>
	检查整个设备是否有腐蚀的迹象。	<input type="checkbox"/>	<input type="checkbox"/>
顶部支架 (图 11.2)	根据 Lad-Saf™ 柔性钢缆竖梯安全系统安装说明、3M 坠落防护手册编号 5908282 或 5903435 检查安装是否正确。	<input type="checkbox"/>	<input type="checkbox"/>
	检查是否存在明显损坏或腐蚀。查找是否存在可能会影响系统强度和操作的裂纹、弯曲或磨损。检查焊缝。查找是否存在可能会影响支架强度的开裂或断开的焊缝。如果发现缺陷, 请更换部件。	<input type="checkbox"/>	<input type="checkbox"/>
	检查将顶部支架固定到结构的螺栓、夹片、U 形螺栓等紧固件有无松动或缺失。如果紧固件松动, 则在需要时根据 Lad-Saf 柔性钢缆安全系统随附的安装说明中列出的扭矩大小重新拧紧。	<input type="checkbox"/>	<input type="checkbox"/>
	检查顶板是否变形。位置 A 处的间隙至少为 0.20 英寸 (5 毫米)。	<input type="checkbox"/>	<input type="checkbox"/>
	确保大销 (B) 和小销均就位。确保弹簧门 (C) 就位。	<input type="checkbox"/>	<input type="checkbox"/>
	检查单点挂点 (D) 是否有裂纹或损坏迹象。检查紧固件的扭矩。确保垫圈具有可见标记。	<input type="checkbox"/>	<input type="checkbox"/>
底部支架 (图 11.1)	根据 Lad-Saf™ 柔性钢缆竖梯安全系统安装说明、3M 坠落防护手册编号 5908282 或 5903435 检查安装是否正确。	<input type="checkbox"/>	<input type="checkbox"/>
	检查是否存在损坏或腐蚀。查找是否存在可能会影响系统强度和操作的裂纹、弯曲或磨损。如果发现缺陷, 请更换部件。	<input type="checkbox"/>	<input type="checkbox"/>
	检查将底部支架固定到结构的紧固件有无松动或缺失。如果紧固件松动, 则在需要时根据 Lad-Saf 柔性钢缆爬梯安全系统随附的安装说明中列出的扭矩大小重新拧紧。	<input type="checkbox"/>	<input type="checkbox"/>
	检查张力杆组件。确定用鞍夹牢固地固定住钢缆。检查鞍夹上的扭矩; 确保扭矩为 35 英尺-磅 (47 牛-米)。如果发现缺陷, 请更换或重新紧固。	<input type="checkbox"/>	<input type="checkbox"/>
钢缆导向器 (图 1)	检查钢缆导向器是否损坏。查看黑色聚氨酯部件是否有磨损或损坏。钢缆导向器应该可以限制钢缆并防止钢缆接触梯子/建筑物。钢缆导向器应位于承重索大约 20-40 英尺 (6-12 米) 处, 如果需要, 可以更近。如果发现缺陷, 请更换部件。	<input type="checkbox"/>	<input type="checkbox"/>
	检查钢缆导向器紧固件。这些紧固件应将钢缆导向器牢牢固定在位。请根据需要进行紧固。	<input type="checkbox"/>	<input type="checkbox"/>
钢缆 (图 1)	检查钢缆上是否存在会影响钢缆强度, 妨碍钢缆自锁器在钢缆上的正常滑动的腐蚀、扭结或损坏情况。如果梯钢缆有任何缺口或扭结, 则在使用前必须由合格的人员检查钢缆。检查有无刮擦梯子或建筑物的迹象。如果发现缺陷, 请更换钢缆。	<input type="checkbox"/>	<input type="checkbox"/>
	检查张紧是否适当。凹槽应在底部挡板上方露出 (图 11.1 参见插图编号“E”)。您应该无法用手将张力杆向下拉。钢缆的松紧度应该适当, 以免接触到梯子/建筑物。如果需要, 请重新拉紧钢缆。不要过度拉紧系统。	<input type="checkbox"/>	<input type="checkbox"/>
标签 (图 9)	确保所有标签均存在并且字迹清晰可辨。	<input type="checkbox"/>	<input type="checkbox"/>
PFAS 和其他设备	与挂点系统结合使用的其他个人防坠落系统 (PFAS) 设备 (安全带、SRD 等) 应根据制造商的说明安装和检查。	<input type="checkbox"/>	<input type="checkbox"/>
结构	验证连接设备的结构在所有可能的负重方向是否满足表 1 中的强度要求。	<input type="checkbox"/>	<input type="checkbox"/>

序列号:		购买日期:
型号:		首次使用日期:
纠正措施/维护:	批准人:	下次检查预期时间:
	日期:	
纠正措施/维护:	批准人:	下次检查预期时间:
	日期:	
纠正措施/维护:	批准人:	下次检查预期时间:
	日期:	
纠正措施/维护:	批准人:	下次检查预期时间:
	日期:	
纠正措施/维护:	批准人:	下次检查预期时间:
	日期:	
纠正措施/维护:	批准人:	下次检查预期时间:
	日期:	
纠正措施/维护:	批准人:	下次检查预期时间:
	日期:	
纠正措施/维护:	批准人:	下次检查预期时间:
	日期:	
纠正措施/维护:	批准人:	下次检查预期时间:
	日期:	
纠正措施/维护:	批准人:	下次检查预期时间:
	日期:	
纠正措施/维护:	批准人:	下次检查预期时间:
	日期:	

在使用本垂直系統前，請詳細閱讀、瞭解和遵守所有在這些說明中的安全資訊。否則，可能導致重傷或死亡。

必須向本設備使用者提供這些使用說明。請保留這些說明以便將來參考之用。

## 特定用途：

此垂直系統旨在作為整套個人墜落防護系統的一部分。

在 3M 並未允許的其他情形下使用本工具（包括但不限於材料搬運、娛樂或運動相關的活動，或者產品使用說明書中未描述的其他活動）可能造成重傷或死亡。

本設備只能由經過訓練的使用者在工作場所使用。

## 警告

這種可撓性纜索/剛性導軌系統是個人墜落防護系統的一部分。所有使用者都應接受有關安全安裝和操作其個人墜落防護系統的充分訓練。**對此設備的不當使用可能導致重傷或死亡。**為確保妥善選擇、操作、安裝、維護和使用，請參考產品使用說明書和所有製造商建議、諮詢主管或聯絡 3M 技術服務人員。

### • 為減少使用可撓性纜索/剛性導軌系統的相關風險（此類風險如不能避免，將導致重傷或死亡）：

- 在每次使用前（至少每年一次），以及任何墜落事件後，檢查系統的所有元件。依照產品使用說明書進行檢查。
- 如果檢查發現系統元件中存在不安全或有缺陷的狀況，請停止使用元件並將其銷毀。
- 任何已經受到墜落阻止或衝擊力的可撓性纜索/剛性導軌系統必須立即停止使用，所有元件在再次使用前必須由合格人員進行檢查。
- 請不要連結到正在安裝中的系統。
- 確保系統針對同時使用的使用者數量進行了適當評估。
- 拆開纜索包裝時，纜索可能會迅速解開。拆開纜索包裝時，請使用正確的安全程序和適當的個人防護裝備。
- 僅使用經過核准的連接器將全身背負式安全帶連接到系統。不要使用任何其他連接設備。
- 只能使用產品使用說明書中指定和核准的纜索。
- 不要干擾滑梭/自鎖器裝置的鎖定動作。只使用設備連接和分離系統。
- 在攀爬時始終保持三個接觸點。有關正確攀爬技術的更多資訊，請參閱產品使用說明書。
- 確保由不同製造商生產的元件組裝的墜落防護系統/子系統相容並符合適用標準的要求，包括 ANSI Z359 或其他適用的墜落防護法規、標準或要求。在使用這些系統之前，請務必諮詢合格人員和/或有資格的人員。

### • 減少在高處作業的相關風險（此類風險如不能避免，可能導致重傷或死亡）：

- 確保您的健康和身體條件允許您安全地承受與在高處作業相關的所有作用力。如果您對使用本設備的能力有任何疑問，請諮詢您的醫生。
- 絕對不要超過墜落防護裝備的允許容量。
- 絕對不要超過墜落防護裝備的最大自由落體距離。
- 不要使用任何未能通過預使用或其他預定檢查的墜落防護裝備，或者如果您對設備在您的應用中的使用或適用性有疑慮，亦不要使用。如有任何問題，請聯絡 3M 技術服務。
- 有些子系統和元件組合可能會干擾本設備的正常運行。僅使用可相容的連接。在將本設備與使用者使用說明書未列舉的元件或子系統組合使用之前請諮詢 3M。
- 在移動的機械（例如鑽井平臺的頂部驅動）周圍、觸電風險、極端氣溫、化學危險、爆炸或有毒氣體、尖銳邊緣，或者會墜落到您或您的墜落防護裝備上的架空材料下方等狀況下使用時須格外注意。
- 在高熱環境中工作時，請使用弧閃或熱工設備。
- 避免可能損壞使用者或設備的表面和物體。
- 確保在高處作業時有足夠的墜落間隙。
- 切勿修改或更改墜落防護裝備。僅 3M 或經 3M 書面授權的機構方能維修該設備。
- 在使用墜落防護裝備之前，確保備有救援計畫，以便在發生墜落事件時迅速救援。
- 如果發生墜落事件，立即讓墜落人員就醫治療。
- 不要使用腰部型安全帶用於防墜應用。只能使用全身背負式安全帶。
- 工作時請儘量位於固定點正下方，以儘量避免發生搖擺墜落。
- 如果使用本設備進行訓練，則必須使用輔助墜落防護系統，杜絕讓受訓人員遭受意外墜落的危險。
- 在安裝、使用或檢修設備/系統時必須始終穿著合適的個人防護裝備。

安裝和使用本設備之前，將 ID 標籤中的產品標識資訊記錄到本手冊背面的「檢查和維護記錄」(表 2)上。

始終確保您使用的是 3M 使用手冊的最新版本。造訪 3M 網站或聯絡 3M 技術服務部門以獲取更新後的說明手冊。

### 產品說明：

圖 1 顯示了 3M™ DBI-SALA® Lad-Saf™ 爬梯安全系統。Lad-Saf 爬梯安全系統用於為工人在攀爬固定梯或類似攀爬裝置時提供墜落防護。Lad-Saf 系統由頂部支架、鋼纜、纜索自鎖器、纜索導向器、系統標籤和底部支架組成。頂部支架 (A) 固定在梯子頂部，與固定在梯子底部的底部支架 (F) 協同錨固鋼纜 (B)。纜索自鎖器 (C) 隨著使用者上下移動鋼纜，並連接到使用者安全帶的前面 D 形環上。纜索導向器 (D) 確保鋼纜保持在原位。系統標籤 (E) 顯示重要安全資訊，應置於系統上或系統附近的某處。系統標籤在圖 10 中顯示為標籤「E」。

圖 2 顯示了 Lad-Saf X3 纜索自鎖器的組件。纜索自鎖器由上滾輪、旋轉側板、手柄、自鎖器主體、鎖緊桿、下滾輪、安全鉤和鎖緊凸輪組成。上滾輪 (A) 與下滾輪 (F) 協同將纜索自鎖器固定到鋼纜上。旋轉側板 (B) 和手柄 (C) 打開可將纜索自鎖器放置到鋼纜上。自鎖器主體 (D) 構成纜索自鎖器的主要結構。鎖緊桿 (E) 鎖定纜索自鎖器並防止裝置意外開啟。鎖緊凸輪 (H) 在纜索自鎖器鎖定時使其保持在原位。安全鉤 (G) 連接至使用者安全帶的前面 D 形環。

參見表 1 瞭解 Lad-Saf X3 垂直鋼纜安全自鎖器和系統的元件規格。

**表 1 – 規格**

系統規格：					
系統安裝：	安裝說明	系統類型	系統描述		
	5908282	垂直	Lad-Saf 可撓性纜索安全系統		
	5903435	垂直	帶旋轉 D 形環的 Lad-Saf 可撓性纜索安全系統		
Lad-Saf 纜索自鎖器：	項目編號	啟動力	最大展開長度	最低斷裂強度	重量
	6160054	450 lbf (2.0 kN)	4.0 in. (102 mm)	3,600 lbf (16 kN)	2.1 lb. (1.0 kg)
負載能力：	每位使用者的組合重量 (衣服、工具等) 必須介於 88 磅至 310 磅 (40 千克至 140 千克) 之間。Lad-Saf 系統最多可以同時有四名使用者，但是每個 Lad-Saf X3 垂直鋼纜安全自鎖器僅能連接一名使用者。如果有額外的使用者，則必須使用額外纜索自鎖器。				
錨固要求：	使用者數量	錨固裝置強度	使用者數量	錨固裝置強度	
	1	2,700 lbf (12 kN)	3	3,940 lbf (17.5 kN)	
	2	3,320 lbf (14.8 kN)	4	4,560 lbf (20.3 kN)	
工作溫度：	-40°F 至 140°F (-40°C 至 60°C)				
標準：	Lad-Saf X3 垂直鋼纜安全自鎖器和系統已依據本使用者說明封面上所述的標準進行測試。				
鋼纜規格：	Lad-Saf X3 纜索自鎖器僅能用於 3/8 英寸 (9.5 毫米) 直徑的實心鋼纜。禁止用於任何其他鋼纜，否則可能導致嚴重人身傷害或死亡。				
	項目編號	描述	材料	最低斷裂強度	重量
	6104XXX / CE 6134XXX	3/8 in. (9.5 mm), 1 x 7	鍍鋅鋼	15,400 lbf (68.4 kN)	0.27 lb. / ft. (0.41 kg / m)
	6105XXX / CE 6135XXX	3/8 in. (9.5 mm), 1 x 7	不鏽鋼	18,000 lbf (80 kN)	0.27 lb. / ft. (0.41 kg / m)
	6106XXX / CE 6136XXX	3/8 in. (9.5 mm), 7 x 19	鍍鋅鋼	14,400 lbf (64 kN)	0.27 lb. / ft. (0.41 kg / m)
6107XXX / CE 6137XXX	3/8 in. (9.5 mm), 7 x 19	不鏽鋼	12,000 lbf (53.3 kN)	0.27 lb. / ft. (0.41 kg / m)	

表 1 - 規格

元件規格：

**Lad-Saf 爬梯安全系統：**

圖 1 參考編號	元件	材料
Ⓐ	頂部支架	鍍鋅鋼或不鏽鋼
Ⓑ	纜索	鍍鋅鋼或不鏽鋼
Ⓒ	纜索自鎖器	不鏽鋼
Ⓓ	纜索導向器	聚氨酯
Ⓔ	系統標籤	不鏽鋼
Ⓕ	底部支架	鍍鋅鋼或不鏽鋼

**Lad-Saf 纜索自鎖器：**

圖 2 參考編號	元件	材料
Ⓐ	上滾柱	尼龍
Ⓑ	旋轉側板	不鏽鋼
Ⓒ	把手	不鏽鋼
Ⓓ	自鎖器主體	不鏽鋼
Ⓔ	鎖緊桿	不鏽鋼
Ⓕ	下滾柱	尼龍
Ⓖ	鈎環	鍍鋅鋼
Ⓗ	鎖緊凸輪	不鏽鋼

## 1.0 產品應用

- 1.1 目的：**LAD-SAF™ 爬梯安全系統是個人墜落防護系統的一部分。與 LAD-SAF™ 可拆卸式纜索自鎖器（單獨出售）搭配使用時，LAD-SAF 爬梯安全系統用於為工人在攀爬固定梯或類似攀爬裝置時提供墜落防護。

**僅限防墜落：**除了防墜落之外，不要將 *Lad-Saf* 爬梯安全系統用於任何其他目的。

- 1.2 標準：**爬梯安全系統符合本使用說明封面上標識的國家或地區標準。如果在原始目的地國家以外轉售該產品，則轉售商必須使用產品所在國家的語言提供這些說明內容。
- 1.3 監督：**Lad-Saf 爬梯安全系統的使用必須由安全監察員監督<sup>1</sup>。Lad-Saf 爬梯安全系統的安裝必須由具備資格的人員監督<sup>2</sup>。
- 1.4 訓練：**Lad-Saf 爬梯安全系統必須由受過正確應用方面訓練的人員安裝和使用。本手冊可用作國家、地區或地方標準要求的員工訓練計畫的一部分。本設備的安裝者有責任確保自己熟悉這些使用說明，接受正確維護和使用本設備的相關訓練，同時還應瞭解本設備的作業特點、應用局限性以及不當使用的後果。
- 1.5 救援方案：**使用本設備和連接子系統時，僱主必須建立救援方案以及實施並向使用者、經授權人員傳達該方案的便捷方法<sup>3</sup>，和救援人員<sup>4</sup>。建議成立一支訓練有素的現場救援團隊。應為團隊成員提供執行成功救援所需的設備和技術。應定期提供訓練以保證救援人員的熟練程度。
- 1.6 檢查頻率：**在每次使用爬梯安全系統之前，使用者必須進行檢查；此外，除了使用者之外，還須由安全監察員予以檢查，檢查間隔期限不超過一年。<sup>5</sup> 檢查程序如「檢查和維護記錄」所述。安全監察員的每次檢查結果都應當記錄到「檢查和維護記錄」的副本中。
- 1.7 墜落之後：**如果 Lad-Saf 系統受到防止墜落的力，則必須立即停止使用並清晰標記「請勿使用」。然後必須銷毀 Lad-Saf 鋼纜安全自鎖器和系統或將其轉交給 3M 進行更換。

## 2.0 系統要求

- 2.1 錨固：**錨固要求視墜落保護應用而定。放置或安裝爬梯安全系統的結構必須符合表 1 中定義的錨固規格。
- 2.2 危險：**如果該設備使用區域存在環境危害，可能需要其他預防措施，以避免傷害使用者或損害設備。危險可能包括但不限於：高溫、化學品、腐蝕環境、高壓電線、爆炸或毒性氣體、運轉的機械、銳邊或可能掉落和接觸使用者或個人防墜落系統的高空材料。
- 2.3 攀登輔助系統相容性：**不要將電動攀登輔助 (PCA) 系統與 3M 爬梯防墜系統 (CLFAS) (包括 Lad-Saf 垂直救生索系統和 Lad-Saf X2、X3 或 X3+ 可拆卸式纜索自鎖器) 結合使用，除非 PCA 已由 3M 認證為與 3M 的 CLFAS 相容。未能遵守本警告可能導致，在使用不相容的 PCA 和 CLFAS 系統時，如果發生高空墜落，使用者可能墜落而無法安全停止墜落。如有任何問題，請聯絡 3M 技術服務，郵箱 3MFallProtectionTech@mmm.com。

使用與 3M 垂直系統不相容的攀登輔助系統可能導致嚴重人身傷害或死亡。

- 2.4 元件相容性：**3M 設備設計為僅可與 3M 核准的元件和子系統搭配使用。使用未經核准的元件或子系統進行替代或更換，可能會危害設備的相容性，同時亦影響整個系統的安全性及可靠性。
- 2.5 連接器相容性：**若依據連接器的設計，其尺寸和形狀不會造成閘門機構無故開啟（不管其定位方式如何），則連接器與連接元件相互相容。如果您對相容性有任何疑問，請聯絡 3M。
- 連接器（掛鉤、鉤環和 D 形環）必須至少可承載 5,000 磅（22.2 千牛頓）。連接器必須與錨固件或其他系統元件相容。切勿使用不相容的設備。不相容的連接器可能會意外鬆脫（參見圖 4）。連接器必須在尺寸、形狀和強度上均相容。如果彈簧鉤或鉤環所連接到的連接元件尺寸較小或形狀不規則，可能會導致連接元件給彈簧鉤或鉤環的閘門帶來作用力。該作用力可能會造成閘門開啟 (B)，進而使彈簧鉤或鉤環從連接點 (C) 脫落。
- ANSI Z359 和 OSHA 要求使用自鎖式彈簧鉤和鉤環。

**1 安全監察員：**能夠識別周圍環境或工作條件中不利員工健康或對其有危害或危險的現有和預期危險，同時亦有權採取及時矯正措施來消除這些危險的人員。

**2 有資格的人員：**具有認可學位、證書或專業證書，或具有廣博的知識、培訓和經驗，成功證明自己能夠在 OSHA 或其他適用聯邦、州和地方法規要求的範圍內，解決與墜落防護和救援系統有關的問題。

**3 經授權人員：**由僱主指派到存在墜落危險的地點執行任務的人員。

**4 救援人員：**相對於被救人員，透過操作救援系統執行輔助救援的人員。

**5 檢查頻率：**極端工作條件（惡劣環境、延期使用等）可能需要增加安全監察員檢查的頻率。



**2.6 連接：**用於本設備的彈簧鉤和鉤環必須為自鎖式。確保所有連接件在尺寸、形狀和強度上都相容。切勿使用不相容的設備。確保所有連接器都完全閉合並鎖定。

3M 的連接器（彈簧鉤和鉤環）設計為僅限用於每個產品的使用者說明書中所規定的用途。請參見圖 5 查看連接不當的示例。不要將彈簧鉤和鉤環：

- A. 連接到已連接另一個連接器的 D 形環。
- B. 以會給閘門帶來負載的方式連接。大型喉狀彈簧鉤不得連接到標準尺寸的 D 形環或類似部件，否則當掛鉤或 D 形環發生纏繞或旋轉時，會給閘門帶來負載，除非彈簧鉤配備 3,600 磅（16 千牛頓）的閘門。檢查彈簧鉤上的標識，確認它適合您的應用。
- C. 以錯誤的啮合方式連接，在這種狀況下，從彈簧鉤或鉤環中突出的部件鉤住錨固點，在未經目視確定下，看起來好像已完全啮合到錨固點。
- D. 相互連接。
- E. 直接連接到織帶、安全繩或錨杆（除非製造商針對安全繩和連接器的使用說明明確允許此類連接）。
- F. 連接到自身形狀或尺寸使彈簧鉤和鉤環無法閉合與鎖定或其本身可能滑出的任何部件。
- G. 以使連接器在負載狀況下無法正確對齊的方式連接。



### 3.0 安裝

有關 Lad-Saf 系統安裝程序的更多資訊，請參閱產品安裝說明。請參見 IFU 5908282 或 IFU 5903435 瞭解更多資訊。

**3.1 規劃：**在開始工作之前，做好 Lad-Saf 爬梯安全系統的使用規劃。考慮可能影響墜落前、中和後安全的所有因素。考慮第 2 節和表 1 中定義的所有要求、限制和規格。

- 確保系統針對所需使用者數量進行了評估。
- 連接到系統以及從系統斷開時存在危險。使用輔助墜落防護系統。確保進行連接和斷開的位置有提供合適的錨固點、著陸平臺或其他工具，以保證可以安全前往或離開系統。
- 使用者雙腳與下方的表面之間的止跌距離不能少於 7.0 英尺 (2.0 米)。使用者在最初上升的 7.0 英尺 (2.0 米) 或最後下降的 7.0 英尺 (2.0 米) 期間著地時不會受到保護。在不受 Lad-Saf™ 系統保護的梯子任何部分上升或下降時應使用適當的攀爬程序 (例如透過雙手和雙腳保持 3 個接觸點)。
- 攀爬時使用適當的安全程序。手上不要拿工具或設備。確保空著雙手攀爬。固定攜帶的物品，避免其墜落到下方的攀爬者身上。請在自己能力允許的狀況下進行攀爬。長時間地向上或向下攀爬需要中途休息幾次，以避免體力耗盡。休息時使用適當的工作定位設備。在大風或惡劣天氣不要攀爬。
- 確保纜索導向器之間僅有一名使用者正在攀爬。

**3.2 將纜索自鎖器連接到承重索上：**Lad-Saf X3 垂直鋼纜安全自鎖器必須連接至要使用的 3M Lad-Saf 爬梯安全系統上。請參見圖 7 瞭解參考編號。若要將 Lad-Saf X3 纜索自鎖器安裝到 Lad-Saf 系統的承重索上：

1. 放置自鎖器，使自鎖器上的「向上」箭頭 (I) 指向上方。
2. 將鎖緊桿 (E) 旋轉到未鎖定位置。圖 3 顯示了鎖定 (A) 和未鎖定 (B) 鎖緊桿位置。可拆卸式纜索自鎖器兩側均有鎖緊桿，因此右手和左手均可作業。
3. 將旋轉側板 (B) 拉回至最遠位置。當旋轉側板位於最遠旋轉位置時，可釋放鎖緊桿 (E)。鎖緊凸輪 (H) 將完全伸出。
4. 將手柄 (C) 旋轉至其完全直立位置。這可讓鎖緊凸輪縮回，從而可以在纜索上安裝自鎖器。
5. 將自鎖器直立，透過向上提的動作將纜索 (J) 插入到自鎖器側面的槽中。將纜索置於自鎖器凹口中。釋放手柄 (C)、旋轉側板 (B) 和鎖緊桿 (E) 將自鎖器鎖定到鋼纜上。在使用之前，確保鎖緊桿 (E) 在鎖緊位置。

**3.3 將纜索自鎖器連接至安全帶：**可在纜索自鎖器安裝到 Lad-Saf 系統上之前或之後進行纜索自鎖器與全身背負式安全帶之間的連接。連接或斷開 Lad-Saf 系統時，建議使用輔助墜落防護系統。上升或下降時操作自鎖器會給工人帶來安全隱患。Lad-Saf 系統在使用時的最大垂直角度始終是 15°。

不要使用其他連接設備或將設備 (例如繫索) 與纜索自鎖器隨附的連接器結合使用。在使用期間，始終使用纜索自鎖器隨附的安全鉤連接器。不要用其他連接器替代。

- **上升：**若要攀登結構，在始終保持三點接觸 (透過雙手和雙腳) 的同時上爬。Lad-Saf X3 可拆卸式纜索自鎖器將隨著攀爬者前進。承重索和纜索導向器相遇時，承重索會從纜索導向器脫離。當承重索經過纜索導向器時或者自鎖器鎖定時不要操作自鎖器或將自鎖器從承重索上移除。
- **下降：**若要爬下結構，在始終保持三點接觸 (透過雙手和雙腳) 的同時平穩下爬。讓 Lad-Saf X3 可拆卸式纜索自鎖器「引導」攀爬者下降。下爬姿勢不正確 (例如過度後傾或不穩定地攀爬) 可能造成自鎖器鎖定到承重索上。如果自鎖器鎖定，稍微向上爬一點可讓自鎖器解鎖，然後再繼續爬下結構。在經過每個纜索導向器之後，將承重索與纜索導向器重新連接。當承重索經過纜索導向器時或者自鎖器鎖定時不要操作自鎖器或將自鎖器從承重索上移除。
- **中斷連接：**攀爬完成時，將纜索自鎖器從系統斷開。參見圖 2 瞭解元件參考編號。
  1. 透過旋轉鎖緊桿 (E) 將自鎖器從纜索上卸下。
  2. 將側板 (B) 拉回並將手柄 (C) 旋轉至完全直立位置。
  3. 現在可從纜索上取出自鎖器並妥善存放。

### 4.0 使用

**4.1 每次使用前：**驗證工作區域和個人防墜落系統 (PFAS) 是否符合第 2 節中定義的所有標準且正式救援計畫是否已就位。依據「使用者」檢查要點檢查 Lad-Saf 系統 (此檢查點在「檢查和維護記錄」(表 2))。如果檢查發現存在不安全或有缺陷的狀況，請不要使用系統。立即停止使用系統並清晰標記「請勿使用」。然後必須銷毀 Lad-Saf 垂直鋼纜安全自鎖器和系統或發給 3M 進行更換。

**4.2 系統連接：**Lad-Saf 系統必須與全身背負式安全帶結合使用。全身背負式安全帶符合 ANSI 2359.11、CSA Z259.10、EN 361 或其他適用國家、地區或地方標準。若要正確穿戴全身式安裝帶，請參閱製造商的說明。若要連接至全身背負式安全帶，將 Lad-Saf 系統的安全鉤連接至全身式安全帶的前面 D 形環 (A)。禁止與全身背負式安全帶上的任何其他連接器或 D 形環結合使用。

OSHA 1910.29 和 OSHA 1926.1053 規定載體和連接點之間的連接長度不得超過 9 英吋 (23 cm)。

### 5.0 檢查

**5.1 檢查頻率：**必須依據第 1 節中定義的間隔檢查 Lad-Saf 系統。檢查程序如「檢查和維護記錄」(表 2) 所述。依據製造商說明中定義的頻率和程序檢查防墜落系統的所有其他元件。

**5.2 缺陷：**如果檢查發現存在不安全或有缺陷的狀況，或者對系統狀況有任何疑問，則立即停止使用 Lad-Saf 系統並清晰標記「請勿使用」。然後必須銷毀 Lad-Saf 垂直鋼纜安全自鎖器和系統或發給 3M 進行更換。不要嘗試維修系統。

**5.3 產品使用壽命：**Lad-Saf 系統的有效使用壽命取決於工作條件和維護狀況。只要產品透過檢查標準，即可繼續投入使用。

## 6.0 維護、維修和存放

**6.1 清潔系統：**請參閱第 5.0 節瞭解與檢查相關的維護問題。如果承重索因油脂、油漆或其他物質而變得很髒，請使用溫和的肥皂水對其進行清洗。請用一塊乾淨的幹布擦拭纜索。請勿透過高溫方式快速乾燥。請不要使用會損壞纜索的酸性或腐蝕性化學品。

其他維護和維修程序必須由獲授權的服務中心完成。授權必須採用書面形式。

**6.2 清潔纜索自鎖器：**可使用下列程序清潔髒汙的 Lad-Saf X3 垂直鋼纜安全自鎖器：

1. 將四份溫水與一份溫和清潔洗滌液（例如 Simple Green 或相似洗滌液）混合。
2. 將纜索自鎖器完全浸入到溶液中，並在混合溶液中浸泡纜索自鎖器 2-3 小時。
3. 從溶液中取出纜索自鎖器並用溫水沖洗至少 1 分鐘。確保去除任何多餘的堆積污垢。
4. 在使用前，讓纜索風乾 24 小時。可以使用加壓冷風。
5. 請參見圖 2 瞭解參考編號。在旋轉點 (E) 或側板基座 (B) 處塗抹少量潤滑油。
6. 依據第 5.3 節所述完成使用前檢查。確保內部沒有藏匿碎屑，否則可能影響鋼纜作業。

**6.3 儲存和運輸：**將 Lad-Saf™ X3 可拆卸式纜索自鎖器存放在陰涼、乾燥、清潔、沒有陽光直射的環境。避免放在存在化學蒸汽之處。在長時間存放後，請徹底檢查自鎖器。

運輸 Lad-Saf™ 纜索自鎖器時將其裝在外殼中，從而防止其遭受任何切割、潮濕或紫外線照射。避免腐蝕性、過熱或冷凍的環境。

**6.4 維修：**僅 3M 或經 3M 書面授權的機構方能維修該設備。如果 Lad-Saf 垂直鋼纜安全自鎖器和系統已受到墜落的力或檢查發現存在不安全或有缺陷的情況，則立即停止使用系統並清晰標記「請勿使用」。然後必須銷毀 Lad-Saf 垂直鋼纜安全自鎖器和系統或發給 3M 進行更換。

## 7.0 RFID 標籤

**7.1 地點：**本使用者說明中涵蓋的 3M 產品均配備無線射頻識別 (RFID) 標籤。RFID 標籤可與 RFID 標籤掃描器搭配使用以記錄產品檢查結果。參見圖 8 瞭解 RFID 標籤的位置。

**7.2 棄置：**在棄置本產品之前，去除 RFID 標籤並依據當地法規棄置/回收。有關如何去除 RFID 標籤的更多資訊，請參閱下列網站連結。



請勿將本產品當作未分類市政垃圾處理。畫叉的帶輪垃圾箱符號表示所有 EEE（電氣和電子設備）必須依據當地法律透過可用回收系統進行處理。請聯絡經銷商或當地 3M 代表瞭解更多資訊。

有關更多資訊，請造訪我們的網站：<http://www.3M.com/FallProtection/RFID>



## 8.0 標籤與標記

8.1 標籤：圖 9 顯示了 Lad-Saf 爬梯安全系統的標籤位置。圖 10 詳細顯示了每個標籤。未列出在系統上位置的標籤必須放置在 Lad-Saf 系統附近的位置。每個標籤上提供的資訊如下：

<b>A</b>	A) 纜索自鎖器型號 B) 序號 C) 警告聲明 - 遵守所有使用說明。 D) 閱讀所有使用說明。 E) 最多一個使用者。 F) 適用標準 G) 指定機構詳情 H) 使用者重量要求
<b>B</b>	A) 纜索自鎖器使用時的「向上」方向。
<b>C</b>	A) 系統纜索和安全帶連接點之間的最大允許距離是 9.0 in. (23 cm)。 B) 不要將纜索自鎖器與繫索結合使用。不要以任何方式修改系統。
<b>D</b>	ID/批號 (YYMMWWTT): YY = 生產年份的最後兩位。 MM = 生產月份。 WW = 生產年份的星期。 TT = 僅供 3M 內部使用。
<b>E</b>	1) 安裝日期 2) 安裝者 3) 錨固要求 4) 每個系統的最大使用者數量 5) 系統長度 6) 生產日期 7) 檢查日期 8) 序列號 9) 系統警告 10) 纜索類型和護套相容性表以及標準認證。 11) RFID 標籤 (參見第 7.0 節)

表 2 - 檢查和維護記錄

檢查日期：		檢查人：	
元件：	檢查：(參見第 2 節查看檢查頻率)	使用者	安全監察員
纜索自鎖器 (圖 2)	檢查手柄 (C) 是否彎曲、有裂縫和變形。所有緊固件必須牢固連接。手柄和凸輪的操作必須自由順滑。彈簧必須安全並且具有足夠強度將手柄拉下。手柄還充當能量吸收器和墜落指示器。如果已經用於墜落防護，則手柄將變形。圖 11.3 顯示了未用於墜落防護的手柄 (A) 和已用於墜落防護且已變形的手柄 (B)。如果手柄的變形大於 A = 1/2 英吋 (12.7mm)，則不要使用。必須停止使用此自鎖器。	<input type="checkbox"/>	<input type="checkbox"/>
	檢查鎖緊桿 (E) 能否順滑操作，確保其在釋放時可彈回至鎖定位置。	<input type="checkbox"/>	<input type="checkbox"/>
	檢查鎖緊凸輪 (H) 是否磨損。確認凸輪沒有損壞。	<input type="checkbox"/>	<input type="checkbox"/>
	豎直握住自鎖器，使手柄 (C) 處在直立位置，並上下搖晃自鎖器模擬墜落，以此來檢查鎖緊凸輪 (H)。凸輪應自由旋轉。	<input type="checkbox"/>	<input type="checkbox"/>
	水準放置自鎖器，使手柄 (C) 處在直立位置，並將後側的自鎖器置於平坦表面，使 Lad-Saf X3 標籤朝上，以此來檢查凸輪 (H)。凸輪應完全向上旋轉至自鎖器頂部。	<input type="checkbox"/>	<input type="checkbox"/>
	將旋轉側板 (B) 拉回以嘗試打開纜索槽，以此檢查旋轉側板的操作。它不能旋轉。如果它不需要旋轉鎖緊桿 (E) 就能旋轉，則停止使用此自鎖器。	<input type="checkbox"/>	<input type="checkbox"/>
	檢查整個設備是否有腐蝕的跡象。	<input type="checkbox"/>	<input type="checkbox"/>
頂部支架 (圖 11.2)	依據 Lad-Saf™ 可撓性纜索豎梯安全系統安裝說明、3M 墜落防護手冊編號 5908282 或 5903435 檢查安裝是否正確。	<input type="checkbox"/>	<input type="checkbox"/>
	檢查是否存在明顯損壞或腐蝕。查找是否存在可能會影響系統強度和作業的裂紋、彎曲或磨損。檢查焊縫。查找是否存在可能會影響支架強度的裂紋或斷開的焊縫。如果發現缺陷，請更換部件。	<input type="checkbox"/>	<input type="checkbox"/>
	檢查將頂部支架固定到結構的螺栓、夾片、U 形螺栓等緊固件有無鬆動或缺失。如果緊固件鬆動，則在需要時依據 Lad-Saf 可伸縮式纜索安全系統隨附的安裝說明中列出的扭矩大小重新擰緊。	<input type="checkbox"/>	<input type="checkbox"/>
	檢查頂板是否變形。位置 A 處的間隙至少為 0.20 英吋 (5 mm)。	<input type="checkbox"/>	<input type="checkbox"/>
	確保大銷 (B) 和小銷均就位。確保彈簧門 (C) 就位。	<input type="checkbox"/>	<input type="checkbox"/>
	檢查單點錨固 (D) 是否有裂紋或損壞跡象。檢查緊固件的扭矩。確保墊圈具有可見標記。	<input type="checkbox"/>	<input type="checkbox"/>
底部支架 (圖 11.1)	依據 Lad-Saf™ 可撓性纜索豎梯安全系統安裝說明、3M 墜落防護手冊編號 5908282 或 5903435 檢查安裝是否正確。	<input type="checkbox"/>	<input type="checkbox"/>
	檢查是否存在損壞或腐蝕。查找是否存在可能會影響系統強度和作業的裂紋、彎曲或磨損。如果發現缺陷，請更換部件。	<input type="checkbox"/>	<input type="checkbox"/>
	檢查將底部支架固定到結構的緊固件有無鬆動或缺失。如果緊固件鬆動，則在需要時依據 Lad-Saf 可伸縮式纜索梯安全系統隨附的安裝說明中列出的扭矩大小重新擰緊。	<input type="checkbox"/>	<input type="checkbox"/>
	檢查張力桿元件。確定用鞍夾牢固地固定住纜索。檢查鞍夾上的扭矩；確保扭矩為 35 ft-lb (47 N-m)。如果發現缺陷，請更換或重新緊固。	<input type="checkbox"/>	<input type="checkbox"/>
纜索導向器 (圖 1)	檢查纜索導向器是否損壞。檢查黑色聚氨酯部件是否有磨損或損壞。纜索導向器應該可以限制纜索並防止纜索接觸梯子/建築物。纜索導向器應位於承重索大約 20-40 ft (6-12m) 處，如果需要，可以更近。如果發現缺陷，請更換部件。	<input type="checkbox"/>	<input type="checkbox"/>
	檢查纜索導向器緊固件。這些緊固件應將纜索導向器牢牢固定在位。請依據需要進行緊固。	<input type="checkbox"/>	<input type="checkbox"/>
纜索 (圖 1)	檢查纜索上是否存在會影響纜索強度，妨礙纜索自鎖器在纜索上的正常滑動的腐蝕、扭結或損壞狀況。如果梯纜索有任何缺口或扭結，則在使用前必須由安全監察員檢查纜索。檢查有無刮擦梯子或建築物的跡象。如果發現缺陷，請更換纜索。	<input type="checkbox"/>	<input type="checkbox"/>
	檢查張力是否適當。凹槽應在底部模板上方露出 (圖 11.1 參見插圖編號「E」)。您應該無法用手將張力桿向下拉。纜索的鬆緊度應該適當，以免接觸到梯子/建築物。如果需要，請重新拉緊纜索。不要過度拉緊系統。	<input type="checkbox"/>	<input type="checkbox"/>
標籤 (圖 9)	確保所有標籤均存在並且字跡清晰可辨。	<input type="checkbox"/>	<input type="checkbox"/>
PFAS 和其他設備	與錨固系統結合使用的其他個人防墜落系統 (PFAS) 設備 (全身背負式安全帶、SRD 等) 應依據製造商的說明安裝和檢查。	<input type="checkbox"/>	<input type="checkbox"/>
結構	驗證連接設備的結構在所有可能的負重方向是否滿足表 1 中的強度要求。	<input type="checkbox"/>	<input type="checkbox"/>

序號：		購買日期：
型號：		首次使用日期：
矯正措施/維護：	核准人：	下次檢查預期時間：
	日期：	
矯正措施/維護：	核准人：	下次檢查預期時間：
	日期：	
矯正措施/維護：	核准人：	下次檢查預期時間：
	日期：	
矯正措施/維護：	核准人：	下次檢查預期時間：
	日期：	
矯正措施/維護：	核准人：	下次檢查預期時間：
	日期：	
矯正措施/維護：	核准人：	下次檢查預期時間：
	日期：	
矯正措施/維護：	核准人：	下次檢查預期時間：
	日期：	
矯正措施/維護：	核准人：	下次檢查預期時間：
	日期：	
矯正措施/維護：	核准人：	下次檢查預期時間：
	日期：	
矯正措施/維護：	核准人：	下次檢查預期時間：
	日期：	
矯正措施/維護：	核准人：	下次檢查預期時間：
	日期：	









<p align="center"><b>GLOBAL PRODUCT WARRANTY, LIMITED REMEDY AND LIMITATION OF LIABILITY</b></p> <p><b>WARRANTY:</b> THE FOLLOWING IS MADE IN LIEU OF ALL WARRANTIES OR CONDITIONS, EXPRESS OR IMPLIED, INCLUDING THE IMPLIED WARRANTIES OR CONDITIONS OF MERCHANTABILITY OR FITNESS FOR A PARTICULAR PURPOSE.</p> <p>Unless otherwise provided by local laws, 3M fall protection products are warranted against factory defects in workmanship and materials for a period of one year from the date of installation or first use by the original owner.</p> <p><b>LIMITED REMEDY:</b> Upon written notice to 3M, 3M will repair or replace any product determined by 3M to have a factory defect in workmanship or materials. 3M reserves the right to require product be returned to its facility for evaluation of warranty claims. This warranty does not cover product damage due to wear, abuse, misuse, damage in transit, failure to maintain the product or other damage beyond 3M's control. 3M will be the sole judge of product condition and warranty options.</p> <p>This warranty applies only to the original purchaser and is the only warranty applicable to 3M's fall protection products. Please contact 3M's customer service department in your region for assistance.</p> <p><b>LIMITATION OF LIABILITY:</b> TO THE EXTENT PERMITTED BY LOCAL LAWS, 3M IS NOT LIABLE FOR ANY INDIRECT, INCIDENTAL, SPECIAL OR CONSEQUENTIAL DAMAGES INCLUDING, BUT NOT LIMITED TO LOSS OF PROFITS, IN ANY WAY RELATED TO THE PRODUCTS REGARDLESS OF THE LEGAL THEORY ASSERTED.</p>	<p align="center"><b>GLOBAL PRODUKTGARANTI, BEGRÆNSEDE RETSMIDLER OG BEGRÆNSNING AF GARANTIFORPLIGTELSE</b></p> <p><b>GARANTI:</b> FØLGENDE ERSTATTER ALLE GARANTIER ELLER BETINGELSER, UDTRYKKELIGE ELLER UNDERFORSTÅEDE, HERUNDER DE UNDERFORSTÅEDE GARANTIER ELLER BETINGELSER FOR SALGBARHED ELLER EGNETHED TIL ET SPECIFIKT FORMÅL.</p> <p>Bortset fra hvad der sikres ved gældende love, er 3M's produkter til faldsikring omfattet af en garanti mod fabriksdefekter i den håndværksmæssige udførelse og materialer i en periode på et år fra installationsdatoen eller den første ejers ibrugtagingsdato.</p> <p><b>BEGRÆNSEDE RETSMIDLER:</b> Ved skriftlig henvendelse til 3M vil 3M reparere eller erstatte ethvert produkt, der af 3M vurderes at have en fabriksdefekt i den håndværksmæssige udførelse eller materialer. 3M forbeholder sig ret til at kræve produktet returneret til dets anlæg for at vurdere krav om garanti. Denne garanti dækker ikke skade på produktet sidl, misbrug, forkert brug, transportskade, manglende vedligeholdelse af produktet eller anden skade uden for 3M's kontrol. 3M vil alene fastslå produktets tilstand og mulighederne for garanti.</p> <p>Denne garanti gælder kun for den oprindelige køber og er den eneste garanti gældende for 3M's produkter til faldsikring. Kontakt venligst 3M's kundeserviceafdeling i dit område for at få hjælp.</p> <p><b>BEGRÆNSNING AF GARANTIFORPLIGTELSE:</b> I DEN UDSTRÆKNING DET TILLADES AF LOKALE LOVE ER 3M IKKE ANSVARLIG FOR NOGEN INDIREKTE, TILFØLDIGE, SPECIELLE ELLER PÅFØLGENDE SKADER, HERUNDER MEN IKKE BEGRÆNSET TIL TAB AF FORTJENESTE, DER PÅ NOGEN MÅDE ER RELATERET TIL PRODUKTERNE UANSET DEN UDLAGTE JURIDISKE TEORI.</p>
<p align="center"><b>GALE PRODUKTGARANTIE, BESCHRÄNKTES RECHTSMITTEL UND HAFTUNGSBESCHRÄNKUNG</b></p> <p><b>GARANTIE:</b> FOLGENDES GILT STELLVERTRETEND FÜR ALLE GARANTIEN ODER BEDINGUNGEN, EINSCHLIESSLICH STILLSCHWEIGEND ANGENOMMENER GARANTIEN ODER BEDINGUNGEN HINSICHTLICH DER TAUGLICHKEIT ODER EIGNUNG FÜR EINEN BESTIMMTEN ZWECK.</p> <p>Soweit gesetzlich nicht anders vorgeschrieben, werden bei 3M-Produkten für die Absturzrisikofür werksseitige Mängel bei Verarbeitung und Material für einen Zeitraum von einem Jahr ab dem Datum der Installation oder der erstmaligen Benutzung durch den ursprünglichen Eigentümer garantiert.</p> <p><b>BESCHRÄNKTES RECHTSMITTEL:</b> Nach schriftlicher Mitteilung an 3M wird 3M jedes Produkt ersetzen oder austauschen, bei dem durch 3M ein werksseitiger Material- oder Verarbeitungsfehler festgestellt wird. 3M behält sich das Recht vor, die Rücksendung des Produkts an das Werk zur Beurteilung der Garantieansprüche zu verlangen. Unter dieser Garantie sind keine Schäden am Produkt gedeckt, die auf Verschleiß, Missbrauch, Transportschäden, Versäumnis der Instandhaltung des Produkts oder sonstige außerhalb der Kontrolle von 3M liegende Schäden zurückzuführen sind. 3M trifft allein die Entscheidung über Produktzustand und Garantieoptionen.</p> <p>Diese Garantie gilt ausschließlich für den ursprünglichen Käufer und ist die einzige, die für Absturzrisikofür Produkte von 3M maßgeblich ist. Kontaktieren Sie bitte die Kunden-Service-Abteilung, um Unterstützung zu erhalten.</p> <p><b>HAFTUNGSBESCHRÄNKUNG:</b> SOWEIT NACH GELTENDEM RECHT ZULÄSSIG, IST 3M NICHT HAFTBAR FÜR UNMITTLBARE, MITTELBARE, BESONDERE SCHÄDEN ODER FOLGESCHÄDEN JEDER ART, EINSCHLIESSLICH VON VERLUST VON GEWINN, DER IM ZUSAMMENHANG MIT DEN PRODUKTEN ENTSTEHT, UNGEACHTET DER ANGEFÜHRTEN RECHTSTHEORIE.</p>	<p align="center"><b>GARANTÍA GLOBAL DE PRODUCTO, COMPENSACIÓN LIMITADA Y LIMITACIÓN DE RESPONSABILIDAD</b></p> <p><b>GARANTÍA:</b> LAS SIGUIENTES DISPOSICIONES PREVALERÁN SOBRE CUALQUIER GARANTÍA O CONDICIÓN, EXPRESA O IMPLÍCITA, INCLUIDAS LAS CONDICIONES O GARANTÍAS IMPLÍCITAS DE COMERCIABILIDAD O IDONEIDAD PARA UN FIN ESPECÍFICO.</p> <p>Salvo que la legislación local estipule lo contrario, los productos de protección contra caídas de 3M están garantizados contra defectos de fabricación de mano de obra y materiales durante un periodo de un año a partir de la fecha de instalación o del primer uso por parte del propietario original.</p> <p><b>COMPENSACIÓN LIMITADA:</b> Tras recibir comunicación por escrito, 3M reparará o sustituirá los productos que considere que tienen un defecto de fabricación de mano de obra o materiales. 3M se reserva el derecho a solicitar la devolución del producto a sus instalaciones para evaluar las reclamaciones de garantía. Esta garantía no cubre los daños en el producto resultantes de desgaste, mal uso, uso indebido, daños durante el tránsito, mantenimiento inapropiado del producto o daños que escapen al control de 3M. 3M será el único con derecho a determinar el estado del producto y las opciones de garantía.</p> <p>Esta garantía puede ser utilizada únicamente por el comprador original y es la única que cubre los productos de protección contra caídas de 3M. Si necesita ayuda, póngase en contacto con el departamento de servicios de atención al cliente de 3M.</p> <p><b>LIMITACIÓN DE RESPONSABILIDAD:</b> EN LA MEDIDA QUE LO PERMITA LA LEGISLACIÓN LOCAL, 3M NO SE RESPONSABILIZARÁ DE LOS DAÑOS INDIRECTOS, FORTUITOS, ESPECIALES O RESULTANTES, INCLUIDA LA PÉRDIDA DE GANANCIA, RELACIONADOS DE MANERA ALGUNA CON LOS PRODUCTOS, INDEPENDIENTEMENTE DE LOS FUNDAMENTOS LEGALES QUE SE ALEGUEN.</p>
<p align="center"><b>ÜLEMAAILMNE TOOTEGARANTII, PIIRATUD HEASTAMISVAHENDID JA PIIRATUD VASTUTUS</b></p> <p><b>GARANTII.</b> JÄRGMINE ESITATAKSE IGASUGUSTE OTSESTE VÕI KAUDSETE GARANTIIDE VÕI TINGIMUSTE ASEMELE, SEALHULGAS KAUDSETE GARANTIIDE VÕI TINGIMUSTE ASEMELE MUUDAVUSE SUHTESE VÕI SOBIVUSE SUHTESE TEATAVAKS OTSTARBEKS.</p> <p>Kui kohalike õigusnormidega ei ole teisi ette nähtud, antakse kukkumiskaitsetoodetele 3M garantii tehase tekinud teostus- ja materjaldefektide suhtes üheks aastaks alates algse omaniku poolse paigaldamise või esmakordse kasutamise kuupäevast.</p> <p><b>PIIRATUD HEASTAMISVAHEND.</b> Pärast kirjaliku teate laekumist 3M-le remondid või vahetab 3M toote, millel on 3M hinnangul tehase tekinud teostus- või materjaldefekt. 3M jätab endale õiguse nõuda toote tagastamist oma ettevõttele garantiiõuete hindamiseks. See garantii ei hõlma kulumisest, kuritarvitamisest, väärast kasutamistest või transpordil käigus või ebasüüvavast hooldusest tekkinud kahjustusi ega muid kahjustusi, mis 3M kontrollile ei allu. 3M-l on ainuotsustusõigus toote seisukorra ja garantiiõimaluste kohta.</p> <p>See garantii kehtib ainult algsele ostjale ning on ainus kukkumiskaitsetoodetele 3M kohaldatav garantii. Abi saamiseks võtke ühendust 3M-i oma piirkonna klienditeenindusosakonnaga.</p> <p><b>PIIRATUD VASTUTUS.</b> KUI SEE ON KOHALIKE ÕIGUSAKTIDEGA LUBATUD, EI VASTUTA 3M TOODETEGA MINGIL VIISIL SEOTUD KAUDSETE, JUHUSLIKE, ERILISTE EGA JÄRELDUKLIKE KAHJUDE EEST, SEALHULGAS KASUMI KAOTAMISE EEST, OLENEMATA VÄIDETAVAST TEOREETILISEST ALUSEST.</p>	<p align="center"><b>GLOBALI TUOTETAKUU, RAJATTU KORVAUS JA VASTUUNRAJOITUS</b></p> <p><b>TAKUU:</b> SEURAAVA ON LAADITTU KAIKKIEN SUORIEN TAI EPÄSUORIEN TAKUIDEN TAI EHTOJEN SIJAAN, MUKAAN LUKIEN EPÄSUORAT TAKUUT MYNTIKELPOISUUDESTA TAI SOPIVUUDESTA TIETTYYN TARKOITUKSEEN.</p> <p>Ellei muutoin paikallissa laeissa säädetä, 3M-putoamisenestotuotteilla on yhden vuoden takuu valmistusvirheitä ja materiaali virheitä koskien asennuspäivästä tai alkuperäisen käyttäjän ensimmäisestä käyttöpäivästä alkaen.</p> <p><b>RAJATTU KORVAUS:</b> Kirjallisella 3M:lle lähetetyllä ilmoituksella 3M korjaa tai vaihtaa kaikki tuotteet, joissa on 3M:n määrätelmä valmistus- tai materiaali virhe. 3M pidättää oikeuden vaatia tuotetta palautettavaksi tehtaalle takuuvaatimusten arvioimiseksi. Tämä takuu ei kata kulumisesta, tuotteen väärinkäytöstä, kuljetusvahingoista tai tuotteen epäonnistuneesta huollosta aiheutunutta vauriota tai muuta vauriota, johon 3M ei pysty vaikuttamaan. Tuotteen kunnosta ja takuuvaihtoehtoista päätökseen tekee ainoastaan 3M.</p> <p>Tämä takuu koskee vain alkuperäistä ostajaa, ja sitä sovelletaan ainoastaan 3M:n putoamisenestotuotteisiin. Ota yhteyttä paikalliseen 3M:n asiakaspalveluun saadaksesi apua.</p> <p><b>VASTUUNRAJOITUS:</b> PAIKALLISTEN LAKIEN SALLIMISSA MÄÄRIIN 3M EI OLE VASTUUSSA MISTÄÄN EPÄSUORASTA, SATTUMANVARAISESTA, ERITYISESTÄ TAI AIHEUTUNEESTA VAHINGOSTA, MUKAAN LUKIEN, MUTTA SIIHEN KUITENKAAN RAJOITUTTAMATTA, TUOTTOJEN MENETTÄMINEN, MILLÄÄN TAVALLA TUOTTEISIIN LIITTYEN OIKEUSTEORIASTA HUOLIMATTA.</p>
<p align="center"><b>GARANTIE PRODUIT INTERNATIONALE, RECOURS LIMITÉ ET LIMITATION DE LA RESPONSABILITÉ</b></p> <p><b>GARANTIE :</b> LES DISPOSITIONS SUIVANTES SONT PRISES EN LIEU ET PLACE DE TOUTES LES GARANTIES OU CONDITIONS, EXPRESSES OU IMPLICITES, Y COMPRIS LES GARANTIES OU CONDITIONS IMPLICITES DE QUALITÉ MARCHANDE OU D'ADAPTATION À UN USAGE SPÉCIFIQUE.</p> <p>À moins d'un conflit avec une législation locale, les produits antichute de 3M sont garantis contre les défauts de fabrication en usine et de matériaux pendant une période d'un an à compter de la date d'installation ou de la première utilisation par le propriétaire initial.</p> <p><b>RECOURS LIMITÉ :</b> Sur demande écrite à 3M, 3M s'engage à réparer ou remplacer tout produit considéré par 3M comme souffrant d'un défaut de fabrication en usine ou de matériaux. 3M se réserve le droit d'exiger que le produit lui soit retourné pour une évaluation de la réclamation au titre de la garantie. Cette garantie ne couvre pas les dommages du produit liés à l'usage, aux abus, à la mauvaise utilisation, aux dommages liés aux transports, au manque d'entretien du produit ou tout autre dommage indépendant du contrôle de 3M. 3M sera l'unique juge de la condition du produit et des options de la garantie.</p> <p>Cette garantie ne s'applique qu'au propriétaire initial et elle constitue l'unique garantie s'appliquant aux produits antichute de 3M. Veuillez contacter le service à la clientèle 3M de votre région pour obtenir de l'assistance.</p> <p><b>LIMITATION DE LA RESPONSABILITÉ :</b> DANS LES MESURES PERMISES PAR LA LÉGISLATION LOCALE, 3M N'EST PAS RESPONSABLE POUR TOUT DOMMAGE INDIRECT, ACCESSOIRE, SPÉCIFIQUE OU CONSÉCUTIF, Y COMPRIS, MAIS SANS S'Y LIMITER, LA PERTE DE PROFITS, LIÉE DE QUELQUE MANIÈRE QUE CE SOIT AUX PRODUITS, MALGRÉ LA THÉORIE JURIDIQUE REVENDIQUÉE.</p>	<p align="center"><b>GARANTIE INTERNATIONALE DU PRODUIT, RECOURS LIMITÉ ET LIMITATION DE RESPONSABILITÉ</b></p> <p><b>GARANTIE :</b> CE QUI SUIT REMPLACE TOUTES LES GARANTIES OU CONDITIONS, EXPRESSES OU IMPLICITES, Y COMPRIS LES GARANTIES OU LES CONDITIONS IMPLICITES RELATIVES À LA QUALITÉ MARCHANDE ET À L'ADAPTATION À UN USAGE PARTICULIER.</p> <p>Sauf disposition contraire de la loi, les produits de protection antichute 3M sont garantis contre tout défaut de fabrication en usine et de matériaux pour une période d'un (1) an à compter de la date d'installation ou de la première utilisation par le propriétaire initial.</p> <p><b>RECOURS LIMITÉ :</b> Moyennant un avis écrit à 3M, 3M réparera ou remplacera tout produit présentant un défaut de fabrication en usine ou de matériaux, tel que déterminé par 3M. 3M se réserve le droit d'exiger le retour du produit dans ses installations afin d'évaluer la réclamation de garantie. Cette garantie ne couvre pas les dommages au produit résultant de l'usage, d'un abus ou d'une mauvaise utilisation, les dommages subis pendant l'expédition, le manque d'entretien du produit ou d'autres dommages en dehors du contrôle de 3M. 3M jugera seul de l'état du produit et des options de garantie.</p> <p>Cette garantie s'applique uniquement à l'acheteur initial et est la seule garantie applicable aux produits de protection antichute de 3M. Veuillez communiquer avec le service à la clientèle de 3M de votre région pour obtenir de l'aide.</p> <p><b>LIMITATION DE RESPONSABILITÉ :</b> DANS LES LIMITES PRÉVUES PAR LES LOIS LOCALES, 3M NE SERA TENU POUR RESPONSABLE DE TOUT DOMMAGE INDIRECT, ACCESSOIRE, SPÉCIFIQUE OU CONSÉCUTIF INCLUANT, SANS S'Y LIMITER, LA PERTE DE PROFIT, LIÉS DE QUELQUE MANIÈRE AUX PRODUITS, QUELLE QUE SOIT LA THÉORIE LÉGALE INVOQUÉE.</p>
<p align="center"><b>ALPJÓÐLEG VÖRUÁBYRGÐ, TAKMÖRKUÐ ÚRRÆÐI OG TAKMARKANIN ÁBYRGÐAR</b></p> <p><b>ÁBYRGÐ:</b> EFTIRFARANDI ER FRAM SETT Í STAÐINN FYRIR HVERS KYLSYRDI EÐA ÁBYRGÐIR, YFIRLÝSTAR EÐA GEFNAR Í KYN, Þ.M.T. ÁBYRGÐIR EÐA KYLSYRÐI UM SÖLUH/EFNI EÐA HÆFNI Í TILTEKNUM TILGANGI.</p> <p>Nema að kveðið sé á um annað í staðbundnum lögum, eru fallverndarvörur 3M í ábyrgð gagnvart verksmiðjögúllum handverkis og hráefna í eitt ár frá dagsetningu uppsetningar eða fyrstu notkunar upphafleges eiganda.</p> <p><b>TAKMÖRKUÐ ÚRRÆÐI:</b> Að fenginni skriflegri tilkynningu til 3M, mun 3M gera við eða endurnýja allar vörur sem kveðið er af 3M að hafi verksmiðjuga hvað varðar handverk eða hráefni. 3M áskilur sér rétt til að krefjast þess að vörurni sé skilað í aðstoðu fyrirtækisins svo meta með ábyrgðarkröfuna. Þessi ábyrgð nær ekki yfir vöruskemmdir vegna slits, slæmrar meðferðar, misnotkunar, skemmda í flutningum, misbrests á viðhaldi vörurinnar, eða annarra skemmda sem ekki er í valdi 3M að hafa stjórn á. 3M mun dæma ástand vörurinnar að eigin geðþótta og kosti varðandi ábyrgð.</p> <p>Þessi ábyrgð nær aðeins til upphaflegs kaupanda og er aðeins ábyrgð sem á við um fallverndarvörur 3M. Vinsamlegast hafðu samband við deild viðskiptavinarþjónustu hjá 3M á þínu svæði til að fá aðstoðu.</p> <p><b>TAKMÖRKUÐ ÁBYRGÐAR:</b> AÐ ÞVI MARKI SEM HEIMILAD ER AF STAÐBUNDNUM LÖGUM ÞÁ ER 3M EKKI ÁBYRGT FYRIR NEINUM ÖBÉINUM, TILFALLANUM, TILTEKNUM Eða AFLEIÐNUM SKEMMDUM, Þ.M.T. EN EKKI TAKMARKAD VIÐ, HAGNADARTAP, SEM Á NOKKURN HÁTT FENGIST VÖRUNNI, SAMA HVAD LAGATILGÁTUR ER STUÐST VIÐ.</p>	<p align="center"><b>GARANZIA GLOBALE SUL PRODOTTO, RIMEDIO LIMITATO E LIMITAZIONE DI RESPONSABILITÀ</b></p> <p><b>GARANZIA:</b> LA SEGUENTE GARANZIA SOSTITUISCE TUTTE LE GARANZIE O CONDIZIONI, ESPRESSE O IMPLICITE, COMPRESSE LE GARANZIE O CONDIZIONI IMPLICITE DI COMMERCIALITÀ O IDONEITÀ PER UN PARTICOLARE SCOPO.</p> <p>Salvo ove diversamente specificato dalle leggi locali, i prodotti di protezione anticaduta 3M sono garantiti da difetti di fabbricazione e dei materiali per un periodo di un anno dalla data di installazione o di primo utilizzo da parte del proprietario originale.</p> <p><b>RIMEDIO LIMITATO:</b> previa comunicazione scritta a 3M, 3M riparerà o sostituirà qualsiasi prodotto in cui 3M avrà individuato un difetto di fabbricazione o dei materiali. 3M si riserva il diritto di richiedere la restituzione del prodotto all'impianto per la valutazione della richiesta di risarcimento in garanzia. La presente garanzia non copre i danni al prodotto causati da usura, abuso, utilizzo errato, trasporto o mancata manutenzione del prodotto o altri danni avvenuti fuori dai controlli di 3M. 3M è la sola che potrà giudicare le condizioni del prodotto e le opzioni di garanzia.</p> <p>La presente garanzia è valida solo per l'acquirente originale ed è l'unica applicabile ai prodotti di protezione anticaduta 3M. Per assistenza, contattare il Servizio Clienti di 3M della propria area.</p> <p><b>LIMITAZIONE DI RESPONSABILITÀ:</b> NELLA MISURA CONSENTITA DALLE LEGGI LOCALI, 3M NON RISPONDE DI EVENTUALI DANNI INDIRETTI, INCIDENTALI, SPECIALI O CONSEGUENZIALI COMPRESI, SENZA LIMITAZIONE, DANNI PER PERDITA DI PROFITTO, IN QUALSIASI MODO COLLEGATI AI PRODOTTI INDIPENDENTEMENTE DALLA TEORIA LEGALE ASSERTITA.</p>

<p align="center"><b>グローバル製品保証、救済手段の制限 および責任の制限</b></p> <p><b>保証:</b> 以下は、商品性または特定の目的への適合性の黙示的な保証または条件を含む明示的または黙示的なあらゆる保証または条件に代わって作成されています。</p> <p>地域法で別途定められていない限り、3Mの墜落防止用製品は製造上または材質における欠陥に対して設置日または最初の所有者の最初の約1年間、保証されます。</p> <p><b>救済手段の制限:</b> 3Mへの書面による通知により、3Mは3Mが製造上または材質に欠陥があると判断する製品の修理または交換を行います。3Mは補償請求の査定のために3Mの施設に製品を返送するよう求める権利を留保します。本保証は消耗、乱用、誤用による製品損傷、輸送中の損害、製品を正しく保全しなかったことによる損害、または3Mの管理下でないその他の損害を対象としません。製品の状態および保証の選択肢については3Mだけが判断を下します。</p> <p>本保証は最初の購入者のみを対象とし、墜落防止用製品に対する3Mの唯一の保証となります。何かお困りのことがあれば、3Mの地域のカスタマーサービスにお問い合わせください。</p> <p><b>責任の制限:</b> 地域法で許容される範囲において、主張される法理論にかかわらず、製品に何らかのかたちで関連する利益の損失を含みこれに限られない間接的、偶発的、特別、派生的な損害に対して3Mは一切責任を負いません。</p>	<p align="center"><b>글로벌 제품 보증, 제한적 구제책 및 책임 제한</b></p> <p><b>보증:</b> 다음은 특정 목적의 적합성에 대한 명시적 혹은 암묵적 보증이나 조건을 포함한 모든 명시적 또는 암묵적 보증이나 조건을 대신하여 적용됩니다.</p> <p>현지 법률에 별도의 규정이 없는 한, 3M 추락 방지 제품은 최초 소유자가 설치 또는 처음 사용한 날로부터 1년 동안 제조 공정 및 재료의 공장 결함에 대해 보증을 받습니다.</p> <p><b>제한적 구제책:</b> 3M이 서면 통지서를 접수한 후 3M은 3M이 제조 공정 또는 재료의 공장 결함으로 판단한 모든 제품을 수리하거나 교체합니다. 3M은 보증 청구에 대한 심사를 위해 제품이 해당 공장으로 반송되도록 요청할 권리를 가집니다. 마모, 오용, 운송 중 발생한 손상, 제품의 유지보수 실패 또는 3M의 통제를 벗어난 기타 손상으로 인한 제품 손상은 이 보증에 적용되지 않습니다. 제품 상태 및 보증 방법은 3M 단독으로 판단합니다.</p> <p>본 보증은 최초 구매자에게만 적용되며 3M 추락 방지 제품에 적용되는 유일한 보증입니다. 도움이 필요한 경우 해당 지역의 3M 고객 서비스 부서로 문의하십시오.</p> <p><b>책임 제한:</b> 3M은 현지 법률이 허용하는 한도에서, 주장된 법률 이론과 상관없이, 제품과 관련된 모든 유형의 수의 손실을 포함하지 이에 국한되지 않는 일체의 간접적, 부수적, 특수적 또는 결과적 손해에 대해 책임을 지지 않습니다.</p>
<p align="center"><b>PASAULINĖ GAMINIO GARANTIJA, RIBOTOJI KOMPENSACIJA IR ATSAKOMBĖS APRIBOJIMAS</b></p> <p><b>GARANTIJA</b> ŠIOMIS NUOSTATOMIS PAKEIČIAMOS VISOS IŠREIKŠTOS ARBA NUMANOMOS GARANTIJOS AR SĄLYGOS, IŠKAITANT NUMANOMAS GARANTIJAS AR SĄLYGAS DĖL PERKAMUMO AR TINKAMUMO KONKREČIAM TIKSLUI.</p> <p>Jeigu kitaip nenumatyta vietos teisės aktais, „3M“ apsaugos nuo kritimo gaminiams vienu metų laikotarpiui nuo įrengimo arba pirmojo pradinio savininko panaudojimo datos taikoma garantija dėl gamybos ir medžiagų defektų.</p> <p><b>RIBOTOJI KOMPENSACIJA</b> Gavusi rašytinį pranešimą „3M“ patalsys arba pakeis bet kokį gaminį, kurį nustatys turėjus gamybos arba medžiagų defektų. „3M“ pasiilekia teisę reikalauti, kad gaminys būtų grąžintas į jos gamyklą garantiniems pretenzijoms įvertinti. Ši garantija netaikoma gaminio pažeidimui dėl dėvėjimosi, netinkamo naudojimo, apgadino vežant, gaminto nepriežiūros ar kitų pažeidimų, kurie nuo „3M“ nepriklauso. Tik pati „3M“ įvertins gaminio būklę ir parinks garantijos variantą.</p> <p>Ši garantija skirta tik pradiniam pirkėjui ir yra vienintelė garantija, taikoma „3M“ apsaugos nuo kritimo gaminiams. Pagalbos kreipkitės į savo regiono „3M“ klientų aptarnavimo skyrių.</p> <p><b>ATSAKOMBĖS APRIBOJIMAS</b> TIEK, KIEK LEIDŽIAMA VIETOS TEISĖS AKTAIS, „3M“ NĖRA ATSAKINGA UŽ JOKIĄ SU GAMINIU KAIP NORŠ SUSIJUSIĄ NETIESIOGINĘ, ATSITIKTINĘ, SPECIALIĄJĄ ARBA PASEKMINGĘ ŽALĄ, IŠKAITANT, BE APRIBOJIMŲ, PELNO NETEKIMĄ, NESVARBU, KOKIA TEISĖS TEORIJĄ BŪTŲ TAIKOMA.</p>	<p align="center"><b>GLOBALĀ PRECES GARANTĪJA, IEROBEŽOTA RĪCĪBA UN ATBILDĪBAS IEROBEŽOJUMI</b></p> <p><b>GARANTĪJA:</b> TĀLĀKĀIS AIZVIETO VISAS GARANTĪJAS VAI NOTEIKUMUS, SKAIDRI IZTEIKTUS VAI DOMĀJĀMUS, IESKAITOT DOMĀJĀMĀS GARANTĪJAS VAI NOTEIKUMUS PAR ATBILSTĪBU TIRDZNICĪBAI VAI PIEMĒROTĪBAI NOTEIKTAM NOLŪKAM.</p> <p>Ja nav citādi noteikts vietējos likumos, 3M kritiena aizsardzības izstrādājumi ir garantēti pret rūpnīcas defektiem ražošanā un materiālos viena gada laikā no brīža, kad tos uzstādījūs vai pirmoreiz lietojūs oriģinālais pircējs.</p> <p><b>IEROBEŽOTA RĪCĪBA:</b> pēc rakstiska iesnieguma 3M, 3M salabos vai aizvieto jebkuru preci, ko 3M būs noteicis kā esošu ar rūpnīcas defektu ražošanā vai materiālos. 3M saglabā tiesības pieprasīt izstrādājuma nosūtīšanu uz tās iestādi garantijas prasību novērtēšanai. Šī garantija nesedz izstrādājuma bojājumu no nolietojuma, nepareizas lietošanas, apzināti nepareizas lietošanas, bojājuma pārsūtīšanas, nespējas apkopt izstrādājumu vai cita bojājuma, ko 3M nespēj kontrolēt. 3M patēs būs vienīgais spriedējs par izstrādājuma stāvokli un garantijas iespējām.</p> <p>Šī garantija attiecas tikai uz oriģinālo pircēju un ir vienīgā garantija, kas piemērojama 3M kritiena aizsardzības izstrādājumiem. Lūdzu, sazinieties ar 3M klientu apkalpošanas dienestu savā reģionā, lai saņemtu palīdzību.</p> <p><b>ATBILDĪBAS IEROBEŽOJUMI:</b> TĀJĀ APJOMĀ, KĀDĀ TĀ ATĻĀUJ VIETĒJIE LIKUMI, 3M NAV ATBILDĪG PAR JEBKĀDU NETIEŠU, GADĪJUMA RAKSTURU, IPAŠU VAI IZRIETOŠU ZAUDĒJUMU, IESKAITOT, BET NEAPROBEŽOJOTIES AR PELŅAS ZAUDĒJUMU, JEBKĀDĀ VEIDĀ SAISTĪTU AR IZSTRĀDĀJUMIEM, NESKATOTIES UZ IZVIRZĪTO JURIDISKO TEORIJU.</p>
<p align="center"><b>WERELDWIJDE PRODUCTGARANTIE, BEPERKTE VERHAALSMOGELIJKHEID EN BEPERKING VAN AANSPRAKELIJKHEID</b></p> <p><b>GARANTIE:</b> DE VOLGENDE BEPALING VERVANGT ALLE GARANTIES OF VOORWAARDEN, EXPLICIET OF IMPLICIET, INCLUSIEF DE IMPLICIETE GARANTIES OF VOORWAARDEN VAN VERKOOPBAARHEID OF GESCHIKTHEID VOOR EEN BEPAALD DOEL.</p> <p>Tenzij anders is bepaald door lokale wetgeving, zijn valbeschermingsproducten van 3M voorzien van een garantie op fabrieksfouten door fabricage- en materiaalafbreken gedurende een periode van één jaar na de datum van installatie of het eerste gebruik door de oorspronkelijke eigenaar.</p> <p><b>BEPERKTE VERHAALSMOGELIJKHEID:</b> Na schriftelijke kennisgeving aan 3M zal 3M eender welk product repareren of vervangen waarvan 3M heeft vastgesteld dat het een fabrieksfout heeft door een fabricage- of materiaalafbrek. 3M behoudt zich het recht voor te eisen dat het product naar zijn vestiging wordt gereetourneerd om garantieaanspraken te beoordelen. Deze garantie is niet van toepassing op productschade door slijtage, oneigenlijk gebruik, misbruik, transportschade, nalatigheid bij onderhoud van het product of andere schade waarover 3M geen controle heeft. 3M zal als enige oordelen over de toestand van het product en garantieopties.</p> <p>Deze garantie is alleen van toepassing op de oorspronkelijke koper en is de enige garantie die van toepassing is op valbeschermingsproducten van 3M. Neem contact op met de klantendienst van 3M voor uw regio als u assistentie wenst.</p> <p><b>BEPERKING VAN AANSPRAKELIJKHEID:</b> VOOR ZOVER TOEGESTAAN DOOR LOKALE WETGEVING, IS 3M NIET AANSPRAKELIJK VOOR ENIGE INDIRECTE, INCIDENTELE, SPECIALE OF GEVOLGSCHADE, INCLUSIEF, MAAR NIET BEPERKT TOT, WINSTVERLIES, DIE OP ENIGE WIJZE VERBAND HOUDT MET DE PRODUCTEN, ONGEACHT DE RECHTSLEER DIE WORDT AANGEHAALD.</p>	<p align="center"><b>GLOBAL PRODUKTGARANTI, BEGRENSET AVHJELP OG BEGRENŚNING AV ERSTATNINGSANSVAR</b></p> <p><b>GARANTI:</b> DET FØLGENDE KOMMER I STEDET FOR ALLE GARANTIER ELLER VILKÅR, UTTRYKKELIGE ELLER UNDERFORSTÅTTE, INKLUDERT ET UNDERFORSTÅTTE GARANTIENE ELLER VILKÅRENE OM SALGBARHET ELLER EGNETHET FOR ET BESTEMT FORMÅL.</p> <p>Med mindre annet er bestemt av lokale lover, er 3Ms fallskiringsprodukter garantert mot fabrikkasjonsfeil i håndverksmessig utformelse og materialer for en periode på ett år fra installasjonsdatoen eller første bruk av den opprinnelige eieren.</p> <p><b>BEGRENSET AVHJELP:</b> Ved skriftlig melding til 3M, vil 3M reparere eller erstatte ethvert produkt som av 3M fastslås å ha en fabrikkasjonsfeil i håndverksmessig utformelse eller materialer. 3M forbeholder seg retten til å kreve at produktet blir levert tilbake til fabrikk for evaluering av garantikrav. Denne garantien dekker ikke produktskade grunnet sliktasje, misbruk, skade i transit, unnlattelse av å vedlikeholde produktet eller annen skade utenfor 3Ms kontroll. 3M vil være den eneste til å bedømme produktvilkår og alternativet.</p> <p>Denne garantien gjelder kun den opprinnelige kjøperen og er den eneste garantien som er anvendelig for 3Ms fallskiringsprodukt. Vennligst kontakt 3Ms kundeserviceavdeling i ditt område for hjelp.</p> <p><b>BEGRENŚNING AV ERSTATNINGSANSVAR:</b> I DEN UTSTREKNING DET ER TILLATT AV LOKALE LOVER, ER IKKE 3M ERSTATNINGSANSVARLIG FOR NOEN SOM HELST INDIREKTE, HENDELIGE, SPEŚIELLE ELLER FØLGEMESSIGE SKADER INKLUDERT, MEN IKKE BEGRENSET TIL TAP AV FORTJENESTE, PÅ NOEN SOM HELST MÅTE FORBUNDET MED PRODUKTENE, UAVHENGIG AV HVILKEN JURIDISK TEORI SOM PÅBEROPES.</p>
<p align="center"><b>GLOBALNA GWARANCJA NA PRODUKTY, OGRANICZONE ROZWIĄZANIE I OGRANICZENIE ODPOWIEDZIALNOŚCI</b></p> <p><b>GWARANCJA:</b> PONIŻSZE POSTANOWIENIA ZASTĘPUJĄ WSZYSTKIE GWARANCJE LUB WARUNKI, WYRAŻONE LUB DOMNIEMANE, W TYM DOMNIEMANE GWARANCJE LUB WARUNKI SPRZEDAŻY LUB PRZYDATNOŚCI DO OKREŚLONEGO CELU.</p> <p>O ile lokalne prawo nie przewiduje inaczej, produkty 3M służące do ochrony przed upadkiem są objęte gwarancją na wady fabryczne, w tym wady materiałowe i wykonawcze przez okres jednego roku od daty ich montażu lub pierwszego użycia przez pierwotnego właściciela.</p> <p><b>OGRANICZONE ROZWIĄZANIE:</b> Po pisemnym powiadomieniu 3M, 3M naprawi lub wymieni produkt uznany przez 3M za wadliwy w zakresie wykonalstwa lub zastosowanych materiałów. 3M zastrzega sobie prawo do zażądania zwrotu produktu do swojego obiektu w celu oceny rozszczenia gwarancyjnego. Niżniejsza gwarancja nie obejmuje uszkodzeń produktu wynikających ze zużycia, niewłaściwego użytkowania, uszkodzenia w transporcie, braku właściwej konserwacji produktu lub innych uszkodzeń będących poza kontrolą firmy 3M. 3M będzie jedną stroną oceniającą stan produktu oraz możliwe opcje gwarancyjne.</p> <p>Niżniejsza gwarancja obejmuje wyłącznie pierwszego nabywcę i jest to jedyna gwarancja na produkty 3M służące do ochrony przed upadkiem. W celu uzyskania pomocy prosimy o kontakt z działem obsługi klienta firmy 3M w Państwa regionie.</p> <p><b>OGRANICZENIE ODPOWIEDZIALNOŚCI:</b> W ZAKRESIE DOZWOLONYM PRZEZ LOKALNE PRAWO, 3M NIE PONOSI ODPOWIEDZIALNOŚCI ZA JAKIEKOLWIEK POŚREDNIE, PRZYPADKOWE, NADZWYCZAJNE LUB WYNIKOWE SZKODY, W TYM, LECZ NIE WYŁĄCZAJE, UTRATY ZYSKOW, W JAKIKOLWIEK SPOŚOB ZWIĄZANE Z PRODUKTEM, NIEZALEŻNIE OD PRZEDSTAWIONEJ PODSTAWY PRAWNEJ.</p>	<p align="center"><b>GARANTIA GLOBAL DO PRODUTO, REPARAÇÃO LIMITADA E LIMITAÇÃO DE RESPONSABILIDADE</b></p> <p><b>GARANTIA:</b> A SEGUINTE É FEITA EM LUGAR DE TODAS AS GARANTIAS OU CONDIÇÕES, EXPRESSAS OU IMPLÍCITAS, INCLUINDO AS GARANTIAS OU CONDIÇÕES DE COMERCIALIZAÇÃO OU ADEQUAÇÃO A UM DETERMINADO FIM.</p> <p>Salvo disposição em contrário pelas leis locais, os produtos de proteção contra quedas da 3M têm garantia contra defeitos de fábrica, quer no fabrico, quer nos materiais, por um período de um ano, a partir da data de instalação ou da primeira utilização pelo proprietário original.</p> <p><b>REPARAÇÃO LIMITADA:</b> Após a notificação por escrito à 3M, a 3M irá reparar ou substituir qualquer produto que a 3M determinar ter um defeito de fábrica no fabrico ou nos materiais. A 3M reserva-se o direito de exigir que o produto seja devolvido às suas instalações para avaliação das solicitações de garantia. Esta garantia não cobre danos ao produto devidos ao desgaste, abuso, mau uso, danos durante o transporte, falha na manutenção do produto ou outros danos fora do controlo da 3M. A 3M será o único juiz da condição do produto e opções de garantia.</p> <p>Esta garantia aplica-se somente ao comprador original e é a única garantia aplicável aos produtos de proteção contra quedas da 3M. Entre em contacto com o departamento de atendimento ao cliente da 3M na sua área para obter assistência.</p> <p><b>LIMITAÇÃO DE RESPONSABILIDADE:</b> NA MEDIDA DO PERMITIDO PELAS LEIS LOCAIS, A 3M NÃO SE RESPONSABILIZA POR QUAISQUER DANOS INDIRETOS, INCIDENTAIS, ESPECIAIS OU CONSEQUENTES, INCLUINDO, MAS NÃO SE LIMITANDO À PERDA DE LUCROS DE ALGUMA FORMA RELACIONADA COM OS PRODUTOS, INDEPENDENTEMENTE DA BASE LEGAL INVOCADA.</p>
<p align="center"><b>GARANȚIA GLOBALĂ APLICABILĂ PRODUSELOR, MĂSURI REPARATORII LIMITATE ȘI LIMITAREA RĂSPUNDERII</b></p> <p><b>GARANTIE:</b> URMĂTOAREA GARANȚIE ÎNLOCUIESTE TOATE GARANȚIILE ȘI CONȚIȚIILE. EXPRESE SAU IMPLICITE, INCLUSIV GARANȚIILE IMPLICITE SAU CONȚIȚIILE DE VANDABILITATE SAU DE ADECVARE PENTRU UN ANUMIT SCOP.</p> <p>Nu mai dați nu se prevede alfel prin legislația aplicabilă, produsele 3M de protecție împotriva căderii sunt garantate în caz de defecte de fabricație, cauzate de maniporă sau de materiale, pe o perioadă de timp de un an de la data instalării sau a primei utilizări de către proprietarul original.</p> <p><b>MĂSURI REPARATORII LIMITATE:</b> La notificarea scrisă transmisă către 3M, 3M va repara sau va înlocui orice produs despre care 3M stabilește că prezintă un defect de fabricație, cauzat de maniporă sau de materiale. 3M își rezervă dreptul de a solicita ca produsul să fie returnat la unitatea sa. În vederea evaluării cererii de aplicare a garanției. Această garanție nu acoperă deteriorarea produselor cauzată de uzură, de utilizare abuzivă sau inadecvată, de avariere în tranzit, de faptul că produsul nu a fost supus operațiunilor de mentenanță sau alte deteriorări ce ies din sfera de control a 3M. 3M va fi singurul care va aprecia starea produsului și opțiunile de garanție.</p> <p>Această garanție i se aplică numai cumpărătorului original și este singura garanție aplicabilă produselor 3M de protecție împotriva căderii. Pentru asistență, vă rugăm să apelați departamentul 3M de Asistență clienți din regiunea dvs.</p> <p><b>LIMITAREA RĂSPUNDERII:</b> ÎN MĂSURA PERMISĂ PRIN LEGISLAȚIA LOCALĂ, 3M NU RĂSPUNDE PENTRU NIUN FEL DE DAUNE INDIRECTE, INCIDENTALE, SPECIALE SAU APĂRUTE PE CALE DE CONSECINȚĂ, CEEA CE INCLUDE, FĂRĂ ÎNSĂ A SE LIMITA LA PIERDEREA PROFITULUI, LEGATE ÎN ORICE MOD DE PRODUSE, INDIRECTE DE LEGISLAȚIA APLICABILĂ.</p>	<p align="center"><b>МЕЖДУНАРОДНЫЕ ГАРАНТИЙНЫЕ ОБЯЗАТЕЛЬСТВА НА ИЗДЕЛИЕ, ЧАСТИЧНОЕ ВОЗМЕЩЕНИЕ УЩЕРБА И ОГРАНИЧЕНИЕ ОТВЕТСТВЕННОСТИ</b></p> <p><b>ГАРАНТИЯ:</b> НАСТОЯЩАЯ ГАРАНТИЯ ЗАМЕНЯЕТ ВСЕ ДРУГИЕ ГАРАНТИИ, ЯВНЫЕ ИЛИ ПОДРАЗУМЕВАЕМЫЕ, ВКЛЮЧАЯ ГАРАНТИИ КОММЕРЧЕСКОГО УСПЕХА ИЛИ ПРИГОДНОСТИ ДЛЯ КАКОЙ-ЛИБО КОНКРЕТНОЙ ЦЕЛИ.</p> <p>Если иное не предусмотрено местным законодательством, на системы для защиты от падения компании 3M распространяется гарантия на отсутствие заводских дефектов изготовления и материалов сроком на один год с момента установки или первого использования первоначальным владельцем.</p> <p><b>ЧАСТИЧНОЕ ВОЗМЕЩЕНИЕ УЩЕРБА:</b> После получения письменного уведомления компания 3M обязуется осуществить ремонт или замену любого изделия, которое, по определению компании 3M, имеет заводской дефект изготовления или материалов. Компания 3M оставляет за собой право потребовать, чтобы изделие было возвращено на предприятие для оценки обоснованности претензий по гарантии. Данная гарантия не распространяется на дефекты, возникшие в результате износа, неправильного обращения, неправильного использования, повреждения при транспортировке, на дефекты, вызванные техническим обслуживанием, или другие дефекты, не подлежащие контролю компании 3M. Только компания 3M будет принимать решение в отношении состояния изделия и вариантов гарантийного обслуживания.</p> <p>Данная гарантия распространяется только на первоначального покупателя и является единственной гарантией, применяемой к системам для защиты от падения компании 3M. Пожалуйста, свяжитесь с отделом обслуживания клиентов компании 3M в вашем регионе для получения помощи.</p> <p><b>ОГРАНИЧЕНИЕ ОТВЕТСТВЕННОСТИ:</b> В ПРЕДЕЛАХ, ДОПУСКАЕМЫХ МЕСТНЫМИ ЗАКОНАМИ, КОМПАНИЯ 3M НЕ НЕСЕТ ОТВЕТСТВЕННОСТИ ЗА КАКОЙ-ЛИБО КОСВЕННЫЙ, СЛУЧАЙНЫЙ, ОСОБЫЙ ИЛИ ПОСЛЕДУЮЩИЙ УЩЕРБ, ВКЛЮЧАЯ, ПОМИМО ПРОЧЕГО, ПОТЕРЮ ПРИБЫЛИ, КАКИМ-ЛИБО ОБРАЗОМ ОТНОСЯЩУСЯ К ПРОДУКТУ НЕЗАВИСИМО ОТ ПРАВОВОЙ ТЕОРИИ.</p>

<p align="center"><b>GARANTÍA GLOBAL DEL PRODUCTO, REPARACIONES LIMITADAS Y LIMITACIÓN DE RESPONSABILIDAD</b></p> <p><b>GARANTÍA:</b> EL SIGUIENTE TEXTO SIRVE A MODO DE GARANTÍA O CONDICIÓN, EXPLÍCITA O IMPLÍCITA, E INCLUYE LAS GARANTÍAS O CONDICIONES IMPLÍCITAS DE COMERCIABILIDAD O APTITUD PARA UN PROPÓSITO ESPECÍFICO.</p> <p>A menos que las leyes locales indiquen lo contrario, los productos de protección contra caídas 3M tienen garantía por defectos de fábrica en la mano de obra y en los materiales durante un período de un año desde la fecha de instalación o desde el primer uso del propietario original.</p> <p><b>REPARACIONES LIMITADAS:</b> 3M reparará o reemplazará un producto si determina que tiene un defecto de fábrica en la mano de obra o en los materiales y tras haber recibido una notificación por escrito sobre el presunto defecto. 3M se reserva el derecho de exigir la devolución del producto a sus instalaciones para evaluar los reclamos sobre la calidad. Esta garantía no cubre los daños ocasionados por el desgaste, el abuso, el mal mantenimiento, o como consecuencia del traslado del producto, u otros daños ajenos al control de 3M. 3M será el único capaz de determinar la condición del producto y las opciones de la garantía.</p> <p>Esta garantía solo se aplica al comprador original y es la única garantía válida para los productos de protección contra caídas 3M. Comuníquese con el departamento de servicio al cliente de 3M de su región para obtener ayuda.</p> <p><b>LIMITACIÓN DE RESPONSABILIDAD:</b> EN LA MEDIDA PERMITIDA POR LAS LEYES LOCALES, 3M NO SERÁ RESPONSABLE DE LOS DAÑOS INDIRECTOS, IMPREVISTOS, ESPECIALES O CONSECUENTES; ENTRE ELLOS, LA PÉRDIDA DE INGRESOS RELACIONADOS DE CUALQUIER MANERA CON LOS PRODUCTOS, INDEPENDIENTEMENTE DE LA TEORÍA JURÍDICA QUE SE PUDIERA INVOCAR.</p>	<p align="center"><b>GLOBAL PRODUKTGARANTI, BEGRÄNSAD KOMPENSATION OCH BEGRÄNSAD ANSVARSSKYLDIGHET</b></p> <p><b>GARANTI:</b> FÖLJANDE GÄLLER SOM ERSÄTTNING FÖR ALLA GARANTIER ELLER VILLKOR, UTTRYCKLIGA ELLER UNDERFÖRSTÅDDA, INKLUSIVE UNDERFÖRSTÅDDA GARANTIER ELLER VILLKOR FÖR SÄLJBARHET ELLER LÄMPLIGHET FÖR ETT VISST ÄNDAMÅL.</p> <p>Såvida inte annat stipuleras i lokala lagar, garanteras 3M:s fallskyddsprodukter mot fabriktionsfel avseende tillverkning och material under en period av ett år från datum för ursprunglig ägares installation eller första användning.</p> <p><b>BEGRÄNSAD KOMPENSATION:</b> Efter skriftlig avisering till 3M, kommer 3M att reparera eller byta ut varje produkt, som av 3M fastställts vara behäftad med fabriktionsfel vad gäller tillverkning eller material. 3M förbehåller sig rätten att kräva att produkt returneras till företagets anläggning för utvärdering av garantianspråk. Denna garanti omfattar inte produktskada till följd av slitage, felaktig användning, missbruk, skada under transport, underlåtenhet att sköta produkten eller annan skada utom 3M:s kontroll. 3M är ensam bedömare av produktskick och garantialternativ.</p> <p>Denna garanti avser enbart den ursprunglige köparen och är den enda garanti som gäller för 3M:s fallskyddsprodukter. Kontakta 3M:s kundtjänstavdelning i din region för assistans.</p> <p><b>BEGRÄNSNING AV ANSVARSSKYLDIGHET:</b> I DEN OMFATTNING SOM TILLÅTS AV LOKALA LAGAR, ANSVARAR 3M INTE FÖR NÅGRA INDIREKTA, OFÖRUTSEDDA, SPECIELLA ELLER FÖLJDSKADOR, INKLUSIVE MEN INTE BEGRÄNSAT TILL FÖRLUST AV VINSTER, VILKA PÅ NÅGOT SÄTT HÄNFÖRTS TILL PRODUKTERNA, OAVSETT HÄVDAD RÄTTSLIG GRUND.</p>
<p align="center"><b>全球产品质保、有限补救和责任限制</b></p> <p><b>质量保证：</b>已制定了以下保证条款，以代替原来所有明示或暗示的质量保证或条件，包括对适销性或特定用途适用性的暗示保证或条件。</p> <p>除非当地法律另有规定，否则 3M 坠落防护系列产品保证在工艺和材料方面不存在任何出厂缺陷，本质量保证期始于原始所有人安装或初次使用之日起一年内。</p> <p><b>有限补救：</b>在向 3M 发出书面通知后，3M 将修复或更换经 3M 确认在工艺或材料方面存在出厂缺陷的任何产品。3M 保留要求将产品返回其设施的权利，以供保证期索赔之评估。本保证不涵盖因产品磨损、滥用、误用、运输中受损、疏于保养而造成的产品损坏或超出 3M 控制范围的其他损坏。3M 将作为产品状况和质量保证选择的唯一鉴定者。</p> <p>本保证仅适用于原始买家，并且是适用于 3M 坠落防护系列产品的唯一保证。请联系您所在地区的 3M 客户服务部，以寻求帮助。</p> <p><b>责任限制：</b>在当地法律允许的范围内，3M 概不对任何间接、附带、特殊或相应而生的损害赔偿负责（包括但不限于以任何方式所导致的与产品相关之利润损失），无论索赔方的法理主张如何。</p>	<p align="center"><b>全球產品保固、有限補償與責任限制</b></p> <p><b>保固：</b>已制定了以下保固條款，以代替原來所有明示或暗示的保固或條件，包括對適銷性或特定用途適用性的暗示保固或條件。</p> <p>除非當地法律另有規定，否則 3M 墜落保護系列產品保證在工藝與材料方面不存在任何出廠缺陷，本保固期限於自原始所有人安裝或初次使用之日起一年內。</p> <p><b>有限補償：</b>在向 3M 發出書面通知後，3M 將修復或更換經 3M 確認在工藝或材料方面存在出廠缺陷的任何產品。3M 保留要求將產品返回其設施的權利，以供保固期索賠之評估。本保固不涵蓋因產品磨損、濫用、誤用、運輸中受損、疏於保養而造成的產品損壞或超出 3M 控制範圍的其他損壞。3M 將擔任產品狀況和保固選擇的唯一鑒定人。</p> <p>本保固僅適用於原始買家，並且是適用於 3M 墜落保護系列產品的唯一保固。請聯絡您所在地區的 3M 客戶服務部門，以尋求協助。</p> <p><b>責任限制：</b>在當地法律允許的範圍內，3M 概不對任何間接、偶發、特殊或相應而生的損害賠償負責（包括但不限於以任何方式所導致的與產品相關之利潤損失），無論索賠方的法理主張如何。</p>



## Fall Protection

### USA

3833 SALA Way  
Red Wing, MN 55066-5005  
Toll Free: 800.328.6146  
Phone: 651.388.8282  
Fax: 651.388.5065  
3Mfallprotection@mmm.com

### Canada

600 Edwards Blvd, Unit #2  
Mississauga, ON L5T 2V7  
Phone: 905.795.9333  
Toll-Free: 800.387.7484  
Fax: 888.387.7484  
3Mfallprotection-ca@mmm.com

### Brazil

Rodovia Anhanguera, km 110  
Sumaré - SP  
CEP: 13181-900  
Brasil  
Phone: 0800-013-2333  
falecoma3m@mmm.com

### Mexico

Av. Santa Fe No. 190  
Col. Santa Fe, Ciudad de Mexico  
CP 01219, Mexico  
Phone: 01 800 120 3636  
3msaludocupacional@mmm.com

### EMEA (Europe, Middle East, Africa)

*EMEA Headquarters:*  
Le Broc Center  
Z.I. 1re Avenue - BP15  
06511 Carros Le Broc Cedex  
France  
Phone: + 33 04 97 10 00 10  
Fax: + 33 04 93 08 79 70  
informationfallprotection@mmm.com

### United Kingdom

3M Centre  
Cain Road  
Bracknell, RG12 8HT  
Phone: 0870 60800 60  
www.3M.co.uk/construction

### Slovakia

Capital Safety Group - Banská  
Bystrica, s.r.o.  
Jegorovova 35  
974 01 Banská Bystrica  
Slovak Republic  
Phone: + 421 (0)47 00 330  
Fax: + 421 (0)47 00 336  
informationfallprotection@mmm.com

### Australia & New Zealand

137 McCredie Road  
Guildford  
Sydney, NSW, 2161  
Australia  
Toll-Free : 1800 245 002 (AUS)  
Toll-Free : 0800 212 505 (NZ)  
3msafetyauca@mmm.com

### Asia

*Singapore:*  
1 Yishun Avenue 7  
Singapore 768923  
Phone: +65-6450 8888  
Fax: +65-6552 2113  
TotalFallProtection@mmm.com

### China:

38/F, Maxdo Center, 8 Xing Yi Rd  
Shanghai 200336, P R China  
Phone: +86 21 62753535  
Fax: +86 21 52906521  
3MFallProtecton-CN@mmm.com

### Korea:

3M Korea Ltd  
18F, 82 Uisadang-daero,  
Yeongdeungpo-gu, Seoul  
Phone: +82-80-033-4114  
Fax: +82-2-3771-4977  
3msupport.kr@mmm.com

### Japan:

3M Japan Ltd  
6-7-29, Kitashinagawa, Shinagawa-ku,  
Tokyo  
Phone: +81-570-011-321  
Fax: +81-3-6409-5818  
psd.jp@mmm.com

WEBSITE:  
[3M.com/FallProtection](http://3M.com/FallProtection)



DECLARATION OF CONFORMITY:  
[3M.com/FallProtection/DOC](http://3M.com/FallProtection/DOC)

(European Union and United Kingdom)