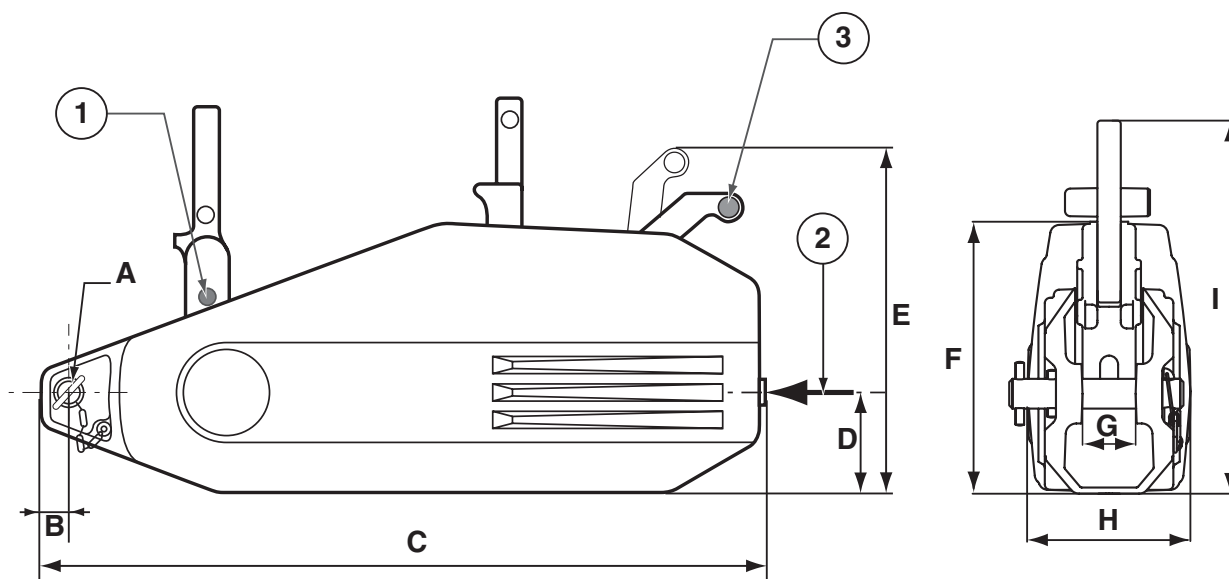
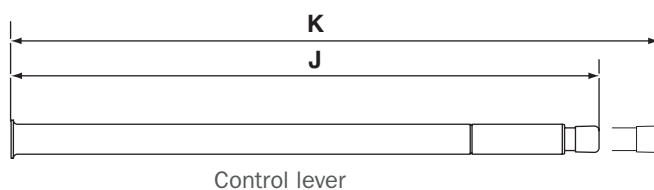


- ① Shear pins forward
- ② Rope guide
- ③ Spare shear pins



TECHNICAL DATA

| W.L.L. | Ø wire rope** | Effort to control lever* | | Rope travel* | | Dimensions mm | | | | | | | | | | | Weight kg |
|--------|---------------|--------------------------|------------|--------------|------------|---------------|----|-----|----|-----|-----|----|-----|-----|-----|------|-----------|
| | | forward kg | reverse kg | forward mm | reverse mm | A | B | C | D | E | F | G | H | I | J | K | |
| 3200 | 16,3 | 54 | 25 | 30 | 48 | 28 | 28 | 700 | 93 | 328 | 256 | 50 | 153 | 380 | 680 | 1150 | 29 |

* Nominal W.L.L.

** Wire rope typ to use

| Wire rope length | Number of strands |
|------------------|-------------------|
| < 80 m | 4 |
| ≥ 80 m | 5 |