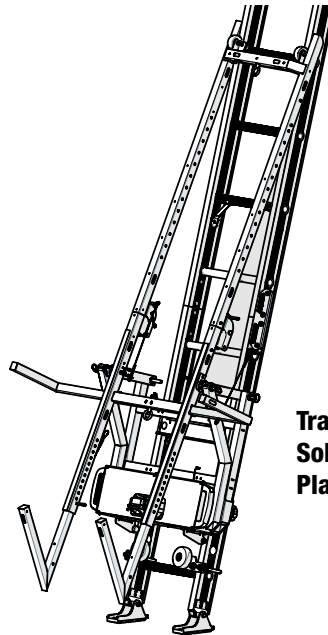


MADE  
★IN THE★  
USA

# TranzVolt G2 Safety & Operating Manual

TranzVolt G2 with  
Collapsible Roofing  
Platform



TranzVolt G2 with  
Solar Tilt Back  
Platform



TranzVolt G2  
Operations  
Manual



Solar Tilt Back  
Platform Assembly  
Instructions



Collapsible Roofing  
Platform Instructions

**NOTE: Two (2) DeWalt Brand 20V batteries or Two (2) Milwaukee Brand 18V batteries are required depending on your model TranzVolt. Batteries not included.**

**WARNING:** This product can expose you to chemicals including Nickel, which is known to the State of California to cause cancer. For more information go to: [www.P65Warnings.ca.gov](http://www.P65Warnings.ca.gov)

**CRITICAL SAFETY INFORMATION:** The greatest exposure to serious bodily injury and or death may occur when the TranzVolt track sections are located within 10 ft. (left or right or underneath) overhead electric power lines. If a minimum safe distance (10 ft.) from electrical wires cannot be maintained, contact the local utility company and have the electric wire unenergized and grounded or guarded effectively by insulating or other means.

**A COMPETENT PERSON** must be present during any setup, during any repositioning, and during any tear-down operations of the TranzVolt track sections when the TranzVolt is to be located near electric power lines. **A COMPETENT PERSON** must read and understand the Owner's Manual for setup, operating instructions, and tear down instructions in order to ensure that all personnel authorized to set up, operate, and tear-down the TranzVolt are made aware of **ALL SAFETY WARNINGS** as well as the operating instructions. **ALWAYS USE APPROVED ROOF TOP FALL PROTECTION** when setting up, operating, and taking down the TranzVolt.

Instruction #08427 (E1930, Rev. 10/28/22)



404-344-0000 • [www.tiedown.com](http://www.tiedown.com)  
605 Stonehill Drive SW, Atlanta, GA 30336  
[sales@tiedown.com](mailto:sales@tiedown.com)

# Congratulations on your Purchase of the TranzVolt Cordless Lift Hoist.

## Features Include:

- Simple Tool Free, Five Minute Setup
- One Press Wireless Remote Operation Control
- Rapid Load Lift at 120 ft per Minute
- Heavy Load Capacity (250 lbs.)
- Electromagnetic / Regenerative Braking Systems
- Automatic Homing System
- Maintenance Free All Electric Power-Train System
- Load Lowering Capability

## Table of Contents

TranzVolt G2 Laddervator Kit Descriptions	3
TranzVolt G2 Safety Warning	4
Stop Bracket Mounting	5
Top Cap and Tilt Rollers Installation	6
Splice Plates	7
Raising and Lowering the TranzVolt G2	8-9
Track Section Placement	10
Power Box Installation	11-12
Platform Frame Installation	13-14
Synthetic Cable Installation	15
Roofing and Solar Platforms	16
Homing the TranzVolt G2	17
Safety Warnings	18
Warranty Information	19
Homing Quick Reference	20



Roofing Products Division  
605 Stonehill Drive SW, Atlanta, Georgia 30336  
800-241-1806 • 404-344-0000 • [www.tiedown.com](http://www.tiedown.com)  
ISO 9001:2015 Certification  
Intellectual property of TIE DOWN Inc. ©2019 TIE DOWN, Inc.  
Instruction #08315 (E1546 Rev. 10/28/22)

# TranzVolt G2 Laddervator Kits

## TranzVolt G2 Laddervator "Starter" Kit Part ID: 40670

### Box #1 of 2 Includes:

Power box, two remotes, lower roller stops, top cap w/rollers, synthetic cable and two safety tie down's.

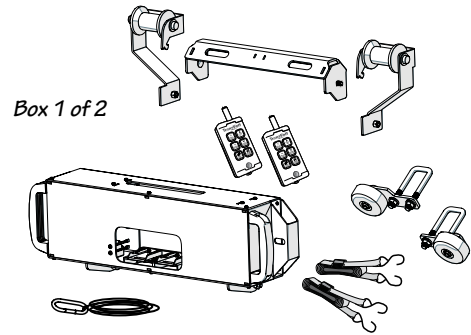
**NOTE: Two (2) DeWalt Brand 20V batteries or Two (2) Milwaukee Brand 18V batteries are required depending on your model TranzVolt. Batteries not included.**

### Box #2 of 2 Includes:

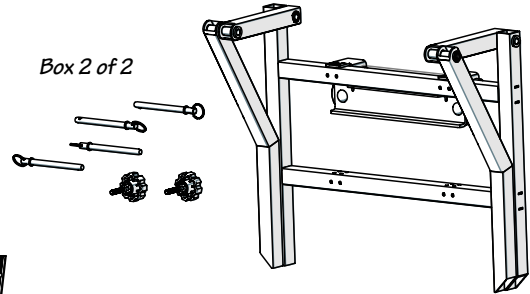
Platform frame, quick release pins & retaining knobs.

### Shipping Pallet:

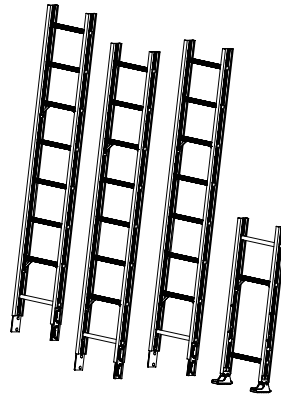
Track Section Bundle:  
3 - 8 ft. track sections with splice plates w/nuts & bolts installed  
1 - 4 ft. track section with foot stops



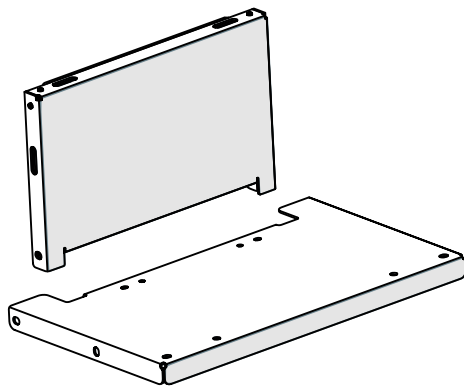
Box 1 of 2



Box 2 of 2

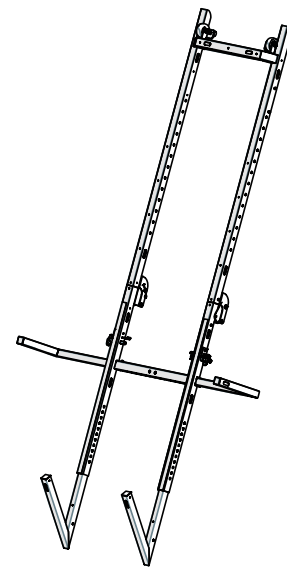


## Platform Kits (Purchased Separately)



**TranzVolt G2 Laddervator  
Collapsible Roofing Platform Kit**  
Part ID: 40675

Kit Includes: Top cap and platform base




**TranzVolt G2 Laddervator  
Solar Tilt Back Platform Kit**  
Part ID: 40676

Kit Includes: Tilt back platform & mounting hardware

**Contact Tie Down @ 404-344-000 if missing any product.**

# TranzVolt G2 Safety Warnings

## TRANZVOLT G2 Laddervator Installation MANUAL NOTES

 These installation instructions are essential for the successful and safe operation of the TranzVolt G2 Hoist. The operating instructions contain important information. Your attention is required to maintain the TranzVolt G2 is safe, operated properly and is economically used. Your attention helps avoid dangers and the ensures reliability and lifetime of the TranzVolt G2 Hoist.

### Installation Instructions Disclaimer

The TranzVolt G2 instructions must always be available, read and applied to any person who installs/operates the TranzVolt G2 while:

- Operating the Equipment.
- Troubleshooting the Equipment.
- Assisting in the Use of Equipment.
- Assembly of Equipment.
- Storage of Equipment.
- Maintenance, care, repair and/or any operations tasked for the TranzVolt Hoist.

To better understand these instructions, extra care should be given to the following representations and safety symbols:



Warns of hazardous situations or unsafe practices with **high risk** of severe injury or death.



Warns of hazardous situations or unsafe practices with **some risk** of severe injury or death.



Warns of **potential** hazards or unsafe practices that **could** result in minor to moderate injuries.



**STAY CLEAR 10 FT. POWER LINES**

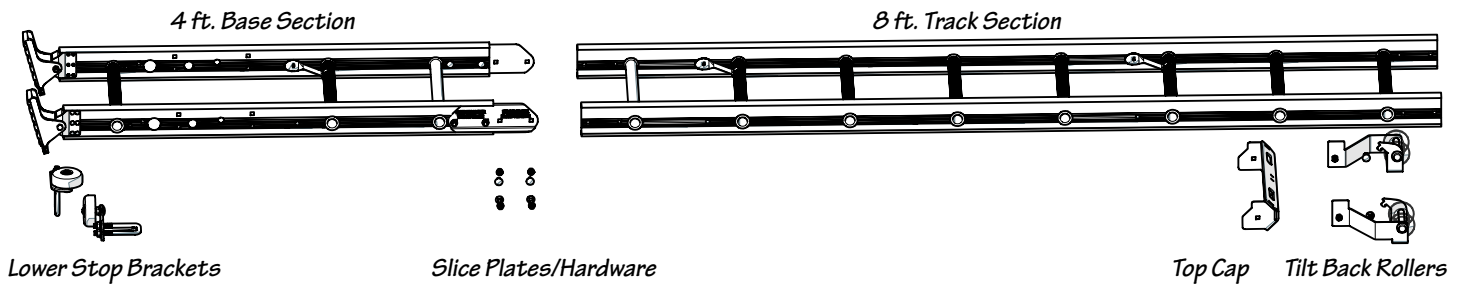
**MAX. LIFT CAPACITY: 250 LBS.**

14697

# TranzVolt G2 Track Section Assembly



**DANGER: DO NOT CLIMB ON TRACK SECTIONS.** Track Sections are not designed to be used as a ladder. Serious injury may occur when track sections are not used for their original purposes. **Do not operate the TranzVolt higher than 36 ft. without replacing the standard synthetic cable with extended length synthetic cable #40674.**



## STEP 1 Full Track Assembly

- Lay out on a flat surface all the tracks needed for the job. Beginning with the 4 ft base section, add up to 4 - 8 ft. tracks.
- **Do not operate the TranzVolt higher than 36 ft. without replacing the standard synthetic cable with extended length synthetic cable #40674. Maximum height shall not exceed 44 ft.**
- Locate the lower stop brackets and hardware, lay out the hardware at the base of the tracks.
- Locate and place the splice plate mounting nuts and platform bolts beside the track section joints.
- Locate the top cap and tilt back roller brackets and lay them out at the end of the end of the track sections.

## Lower Stop Bracket Assembly

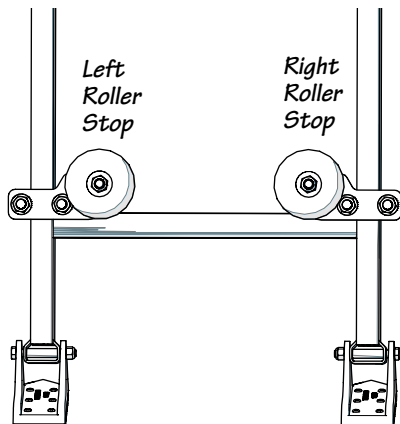


Fig. 5-2

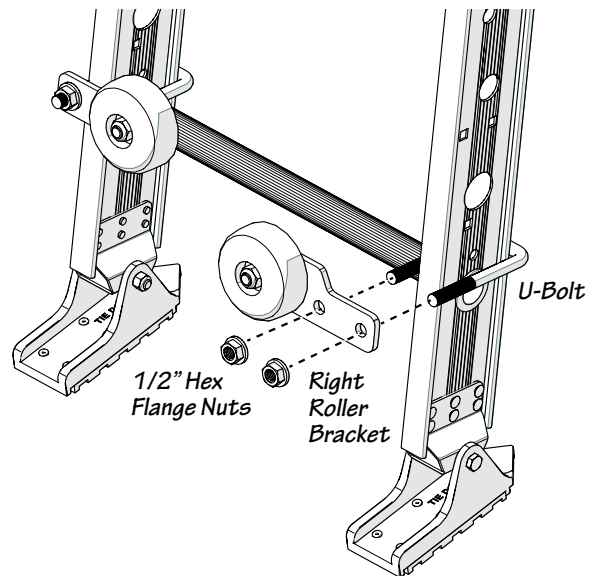


Fig. 5-3

## STEP 2 Lower Stop Bracket Assembly (one time installation)

- Working from the side, slide a 1.5"x4.75" u-bolt over the track side frame above the lowest ladder rung.
- The u-bolt will rest on the lowest ladder rung. Slide a lower roller stop bracket over the u-bolt shown in Fig 5-3. Make sure the roller is between the ladder sides with the amber roll facing upward see Fig. 5-2.
- Loosely fasten with two 1/2" hex flange nuts.
- Square the roller bracket to the track section with the bracket resting on the lowest ladder rung.
- Tighten both flange nuts.
- Repeat for opposite side roller bracket

**NOTE:** Under normal working conditions' parts will wear out. TIE DOWN sells replacement parts in kits only and will not sell individual pieces or parts. Most common hardware described is available at your local hardware store.

# TranzVolt G2 Track Section Assembly

## STEP 1 Attaching Top Cap (one-time installation)

- Attach the top cap to the end of the last track section you intend to use.
- Make sure that the top cap end slides into the outside of the track section completely and securely (shown right). Note: The Top Cap will only mount in one direction.
- Assemble with (2) 3/8"x 3/4" carriage bolts passing through the inside tracks with keeper nuts provided.
- Ensure bolts and nuts are torqued to 30 ft. lbs.

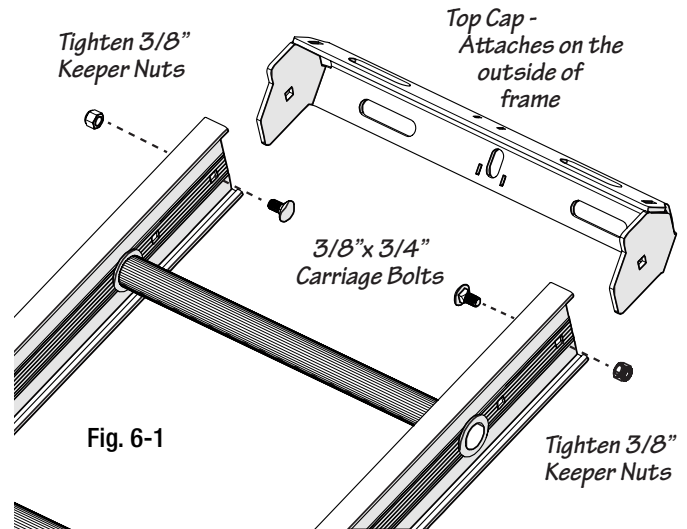


Fig. 6-1

## STEP 2 Attaching the Tilt Rollers

- Working on the top end of the tracks, hold one tilt roller assembly at a slight counterclockwise angle shown in Fig. 6-2.
- Slide the mounting tab into the mounting slot located on the front left/right of the top cap. See Fig. 6-2
- Once the tab is secured in the mounting slot give the roller assembly a slight clockwise turn as shown in Fig 6-3. It may be necessary to pull the bracket out some to fit over the edges of the ladder tracks.
- Align the lower roller bracket with the square mounting hole located in the track section.
- Place a 3/4" platform bolt from the inside of the ladder through the roller bracket.
- Tighten with 3/8" keeper nut.
- Repeat of opposite side roller bracket.

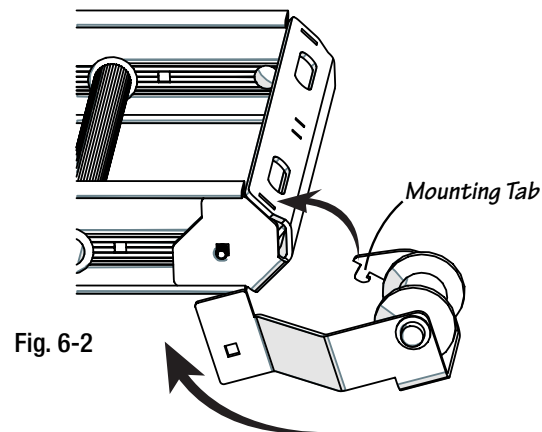


Fig. 6-2

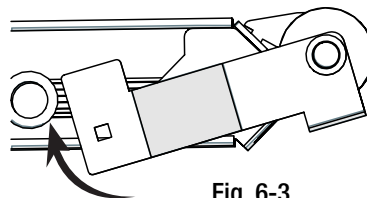


Fig. 6-3

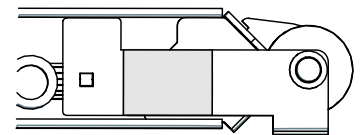


Fig. 6-4

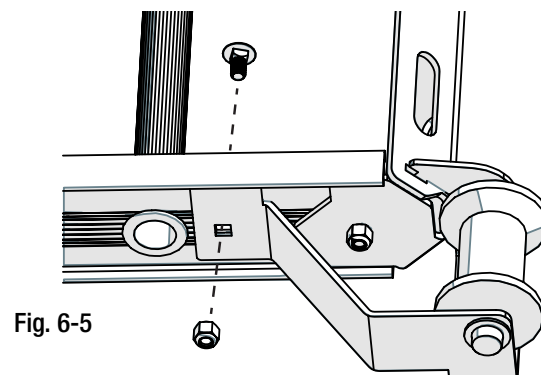


Fig. 6-5

# TranzVolt G2 Track Section Assembly

## STEP 1 Laying Track Section Out

- Lay track sections on a flat surface with the “front” side facing up.
- “Front” of track has largest space between the track crossbar and the track section edge as shown to right.
- Determine the number of track sections required
- Track sections can be laid out in the following combinations: 12 ft., 20 ft. or 28 ft. high
- Two addition track section can be purchased separately for high up to 44 ft.
- Place selected track in order with 4 ft. section at the base
- 4 ft base track should be lined up parallel to the loading point for your project

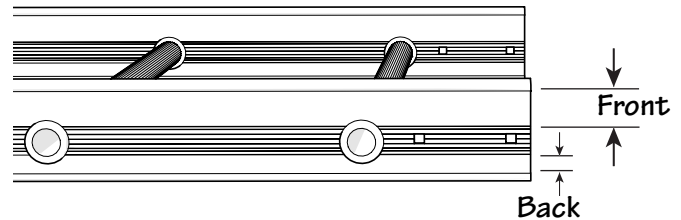


Fig. 7-1



**Do not operate the TranzVolt higher than 36 ft. without replacing the standard synthetic cable with extended length synthetic cable #40674. Maximum high shall not exceed 44 ft.**

## Step 2 Connecting Track Sections

- Splice plates are attached to the end section of the tracks.
- Splice plates are mounted on the outside track section.
- Attach provided (2) keeper nuts and bolts per side (shown right).
- Ensure bolts and nuts are torqued to 30 ft. lbs.
- Repeat this step for each track section required

**NOTE: DO NOT SUBSTITUTE NUTS AND BOLTS.**  
Use 3/8”x 3/4” carriage bolts and 3/8” keeper nuts (lock washer and nut combined).

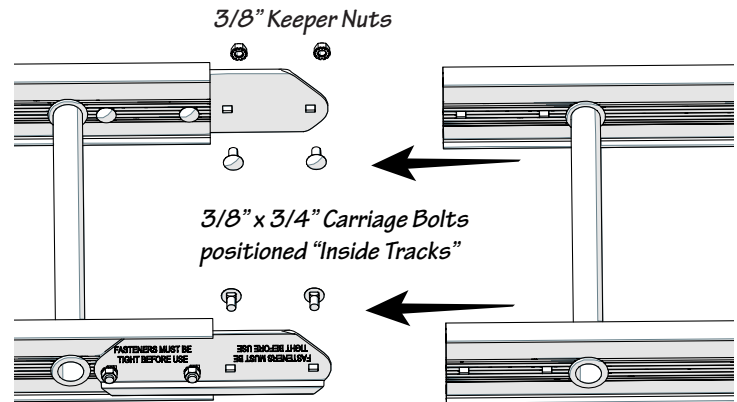


Fig. 7-2

3/8” Keeper Nuts

# Connect Synthetic Cable to the Top Cap

## Step 3 Connecting the Synthetic Cable

- Locate and unwind the blue synthetic cable. Fully stretch out the cable the full length of the track assembly.
- Attach the safety link to the back of the top cap as shown in Fig 7-3. **IMPORTANT: The cable must lie on the front side of the tracks.**
- At the opposite end of the track assembly, pull the synthetic cable to removing any slack. Lightly tie a knot around the 2nd to the end rung on the track section.

**The TranzVolt laddervator track assembly is now ready to be lifted into its work location.**

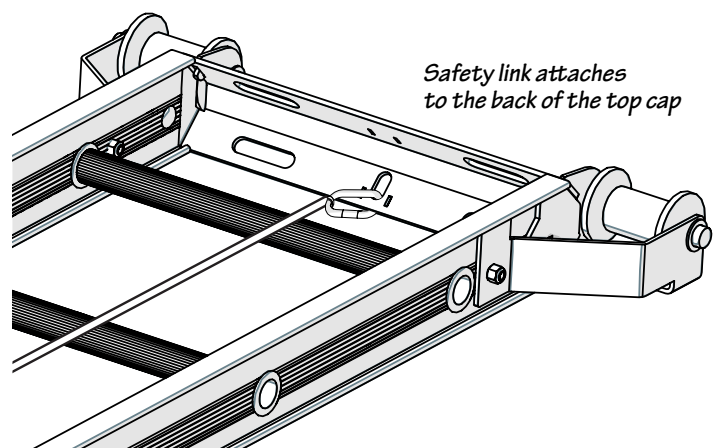


Fig. 7-3

# Raising and Lowering the Track Section Assembly

**WARNING: KEEP TRACK SECTIONS MINIMUM 10 FT. CLEAR OF ALL ELECTRICAL WIRES AND EQUIPMENT. BE AWARE OF OVERHEAD WIRES BEFORE RAISING TRACK SECTIONS. ELECTRICITY KILLS!**

The hoist assembly is extremely top heavy and must be kept under control at all times. Two alternate methods are suggested for raising the platform hoist to the operating position. **ALWAYS USE APPROVED ROOF TOP FALL PROTECTION** when setting up, operating and taking down the TranzVolt Hoist.



## Procedure "A"

**This procedure requires two or preferably three men.**

1. Lay the assembled track sections with the platform attached parallel to the building wall that is to support the hoist.
2. Tie a rope to the head bracket and have the man on roof pull up the hoist while the other man on the ground braces the shoes on the bottom base section to prevent slippage of the hoist shoes. The third man on the ground may aid in erecting by "walking" the hoist up hand over hand by the rungs.
3. When the hoist reaches a vertical position, carefully turn the hoist 90 degrees with the platform pointing away from the building. Move the bottom of the hoist away from the building 1/4 of the height of the building where the top of the hoist is to be supported. Make allowances for overhang.
4. Tie the track section to the roof with a rope fastened to a cross tie on the top bracket to prevent slippage of the track section. See below.  
**DO NOT TIE ROPE TO THE RAILS - THIS WILL PREVENT THE PLATFORM FROM OPERATING PROPERLY.**
5. Make certain the shoes on the steel bottom section are firmly resting on level ground. This will help to prevent track section slippage or uneven loading of the track section which could cause damage or injury to personnel and/or to equipment.

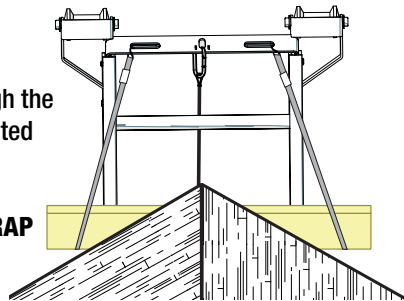


## Secure the Top Cap

### Option 1 Low Top Cap

Attach with the Safety Pull Straps (included). Place the hooks through the holes in top cap. Attach to a mounted 2x4 on the side of the roof top.

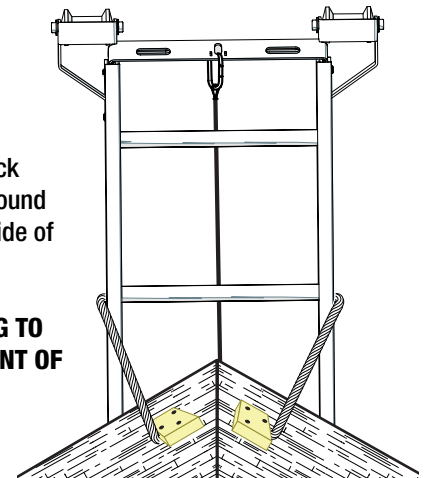
**NEVER ALLOW ANYTHING TO WRAP AROUND THE FRONT OF THE TRACK SECTION**



### Option 2 High Top Cap

Pass rope through the track section rungs. Tie rope around the mounted 2x4 on the side of the roof top.

**NEVER ALLOW ANYTHING TO WRAP AROUND THE FRONT OF THE TRACK SECTION**





# Raising and Lowering the Track Section Assembly

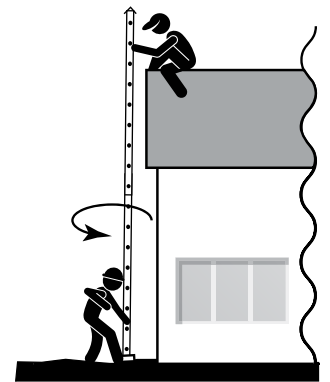
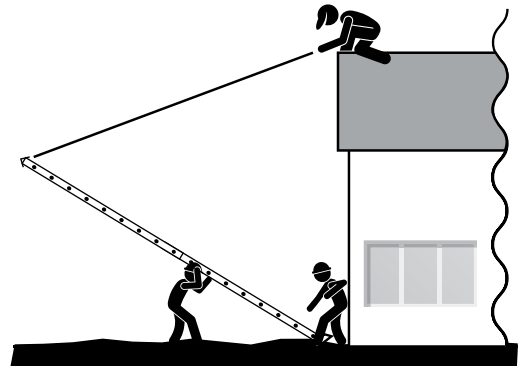
**WARNING: KEEP TRACK SECTIONS MINIMUM 10 FT. CLEAR OF ALL ELECTRICAL WIRES AND EQUIPMENT. BE AWARE OF OVERHEAD WIRES BEFORE RAISING TRACK SECTIONS. ELECTRICITY KILLS!**

**ALWAYS USE APPROVED ROOF TOP FALL PROTECTION** when setting up, operating, and taking down the TranzVolt Hoist.

## Procedure "B"

This procedure requires two or preferably three men.

1. Place track section assembly perpendicular to the building with the bottom shoes of the steel bottom section resting against the building to prevent slipping.
2. Tie a rope to the top bracket and have the man on the roof pull up the hoist while the other man on the ground braces the shoes on the steel bottom base section to prevent slippage of the hoist shoes. The third man on the ground may aid in erecting by "walking" the hoist up hand over hand by the rungs.
3. When the hoist reaches a vertical position, carefully turn the hoist 180 degrees with the platform pointing away from the building.
4. Move the bottom of the hoist away from the building 1/4 of the height of the building where the top of the hoist is to be supported. Angle of track sections from building should be between 18 and 20 degrees. Make allowances for an overhang.
5. Tie the track section to the roof with a rope fastened to a cross tie on the top bracket to prevent slippage of the track section. See below. **DO NOT TIE ROPE TO THE RAILS - THIS WILL PREVENT THE PLATFORM FROM OPERATING PROPERLY.**
6. Make certain the shoes on the steel bottom section are firmly resting on level ground. This will help to prevent track section slippage or uneven loading of the track section which could cause damage or injury to personnel and/or to equipment.





**⚠ WARNING ⚠**

**Electrical Overhead Wires Kill!**

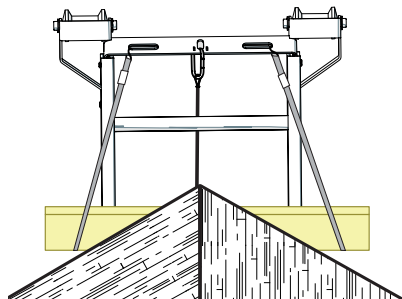
Look for overhead electrical wires during set up and take down of the track sections. Always maintain minimum 10 ft. safe distance, front to back, left to right, and underneath electric wires.

## Secure the Top Cap

### Option 1 Low Top Cap

Attach with the Safety Pull Straps (included). Place the hooks through the holes in top cap. Attach to a mounted 2x4 on the side of the roof top.

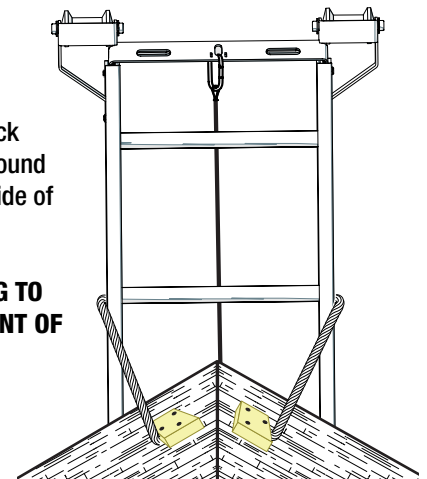
**NEVER ALLOW ANYTHING TO WRAP AROUND THE FRONT OF THE TRACK SECTION**



### Option 2 High Top Cap

Pass rope through the track section rungs. Tie rope around the mounted 2x4 on the side of the roof top.

**NEVER ALLOW ANYTHING TO WRAP AROUND THE FRONT OF THE TRACK SECTION**



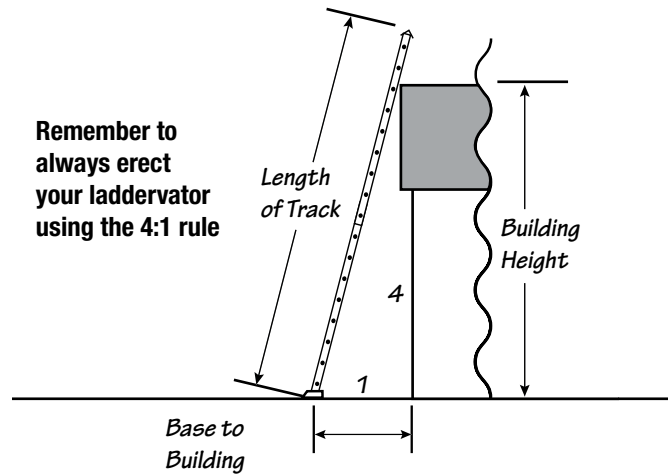
# TranzVolt G2 Placement

## Track Section Chart: Brace Support and Proper Set Up Distance at Job Site

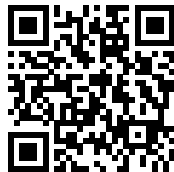
This table provides the suggested information for the distance of the bottom track from the building and the location of the track support for various conditions. Track lengths in excess of 28 feet require the use of the telescoping brace (#60005).



Do not operate the TranzVolt higher than 36 ft. without replacing the standard synthetic cable with extended length synthetic cable #40674. Maximum height shall not exceed 44 ft.



Building Height	Length of Track	Base To Building	Track Brace Attach To Rung:	Synthetic Cable Extension
12'	16'	4'-6"	Not Required	Not Required
16'	20'	5'-0"	Not Required	Not Required
20'	24'	6'-6"	Not Required	Not Required
24'	28'	6'-6"	Not Required	Not Required
28'	32'	7'-6"	11th and 13th	Not Required
32'	36'	8'-0"	14th and 16th	Not Required
36'	40'	9'-0"	19th and 21st	Extension Required*
40'	44'	10'-0"	24th and 25th	Extension Required*
42'	44'(max)	10'-6"	25th and 27th	Extension Required*



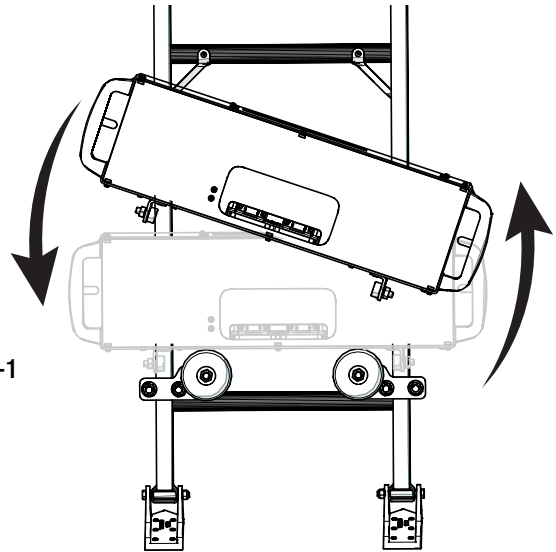
Support Brace Assembly Instructions

# TranzVolt G2 Power Box Installation

## STEP 1 Attaching the Power Box

- Attaching the power box must be done with the ladder tracks secured to the roofing in its final working area.
- While standing in front of the tracks - hold the power box just above the track sides. Tilt the power box clockwise with the **left side** of the power box upward toward the top of the tracks. As shown right Fig. 11-1.
- Lower the power box down between the sides of the track aligning the guide wheels with the side of the tracks as shown in Fig 11.2.

Fig. 11-1



## STEP 2 Attaching the Power Box

- Once the guide wheels are aligned with the track sides, give the power box a counterclockwise turn.
- Double check the guide wheels are aligned with the track side by looking down the side of the power box shown in Fig. 11-3.
- If the power box is properly aligned with the track sides it should roll freely up and down the assembled tracks.
- Lower the power box down resting against the stop rollers.

Fig. 11-2

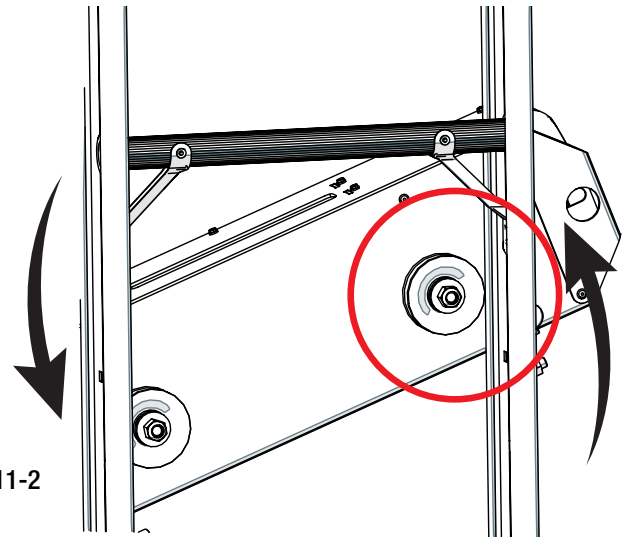


Fig. 11-3

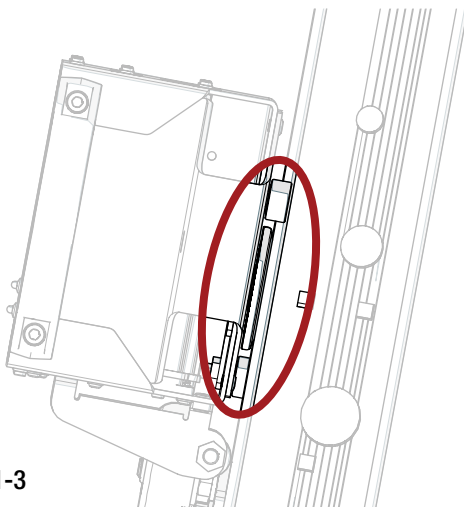
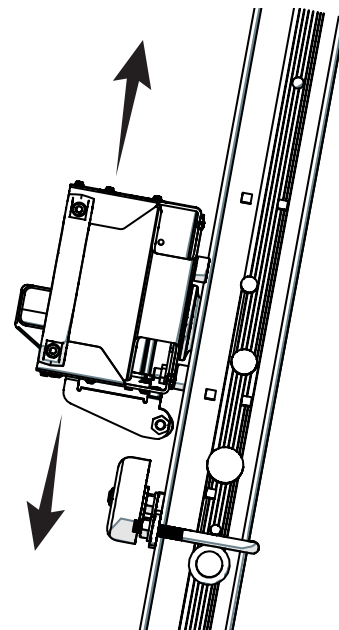


Fig. 11-4

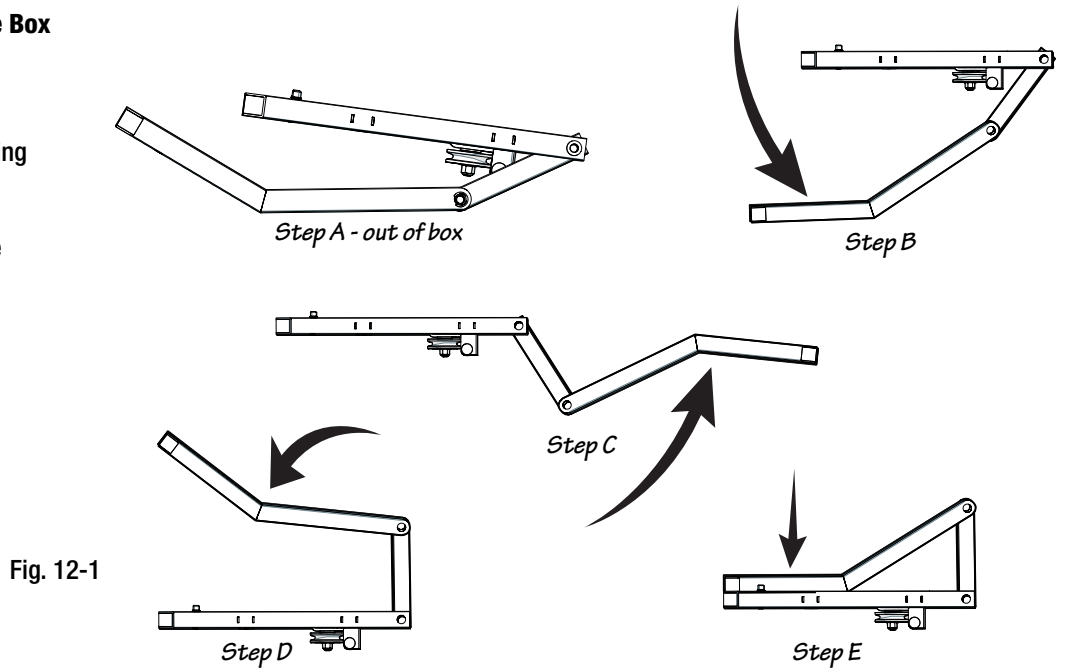


# Platform Frame Installation

## STEP 1 Opening the Platform Frame Box

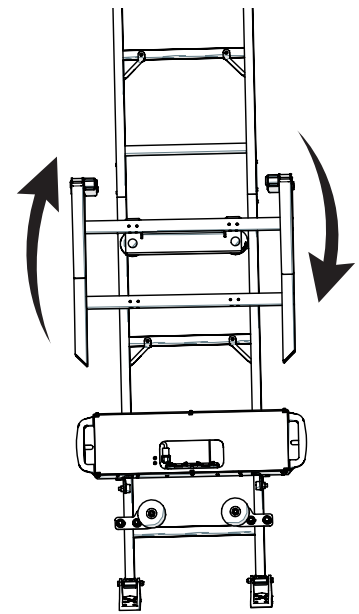
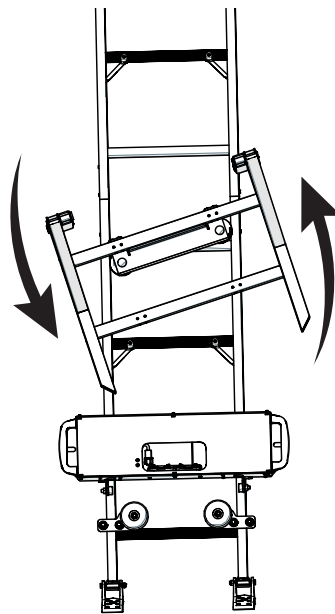
NOTE: The platform frame is folded backwards for shipping purposes.

- Remove the platform frame by sliding the frame from side of the box.
- Rotate the long angled tube 360 degrees up and over the roller tube frame. Follow the steps shown in Fig 12-1.



## STEP 2 Attaching the Platform Frame

- Attaching the platform frame must be done with the ladder tracks secured to the roofing in its final working area.
- While standing in front of the tracks - hold the platform frame just above the track sides. Tilt the platform frame counter clockwise with the **right side** of the platform frame upward toward the top of the tracks. As shown right Fig. 12-1.
- Lower the platform frame down between the sides of the track aligning the track rollers with the side of the tracks.
- Once the track rollers are aligned with the track sides, give the power box a clockwise turn. As shown in Fig 12-3
- Double check the track rollers are aligned with the track side by looking down the side of the platform frame
- If the platform frame is properly aligned with the track sides, the platform frame will freely roll up and down the assembled tracks.



# Platform Frame Installation

## STEP 3 Attaching the Platform Frame

- Working above the power box - take hold of the lower tubes of the Platform frame.
- Using both hands grab the top (angled tube) Shown in Fig. 13-1.
- Raise the angled tube about 1/2-1" above the roller tube frame as shown right.
- Roll the carriage frame downward to the power box.
- Slide the roller tube frame into the side mounting tube on the lower side of the power box. At the same time the angled tube will slide into the upper mounting tube on each side of the power box. See Fig 13-2 show right.
- Weight and gravity will slide the platform frame into its final working position.

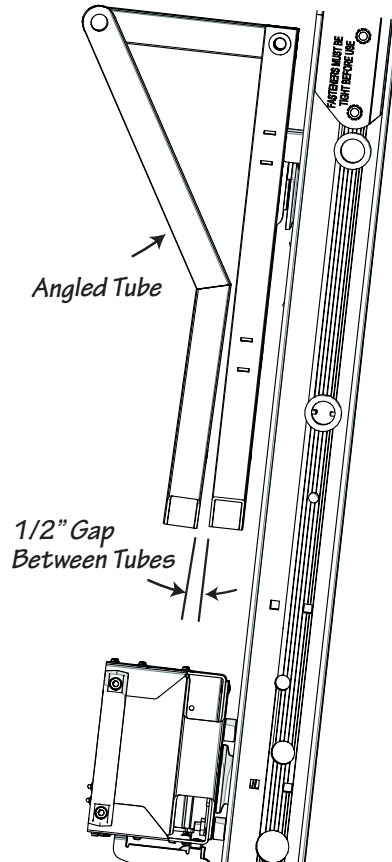


Fig. 13-1

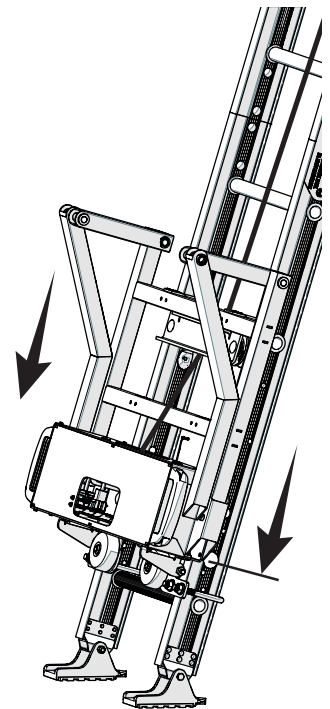


Fig. 13-2

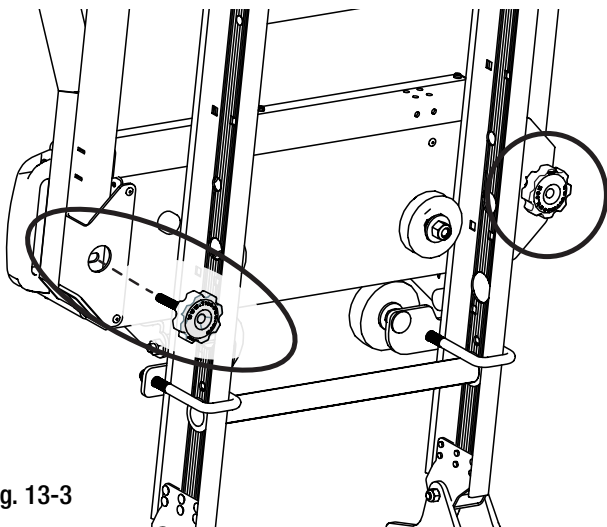


Fig. 13-3

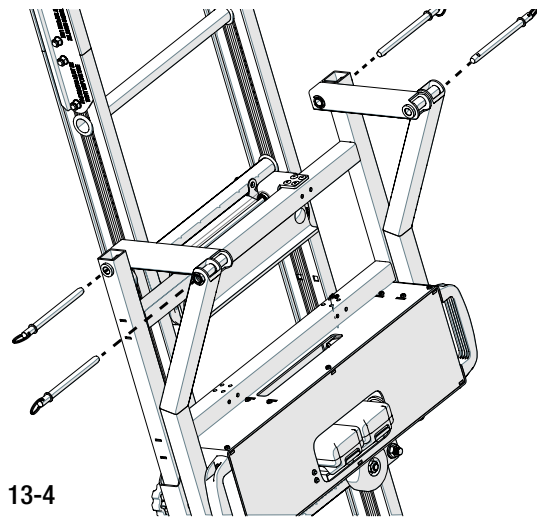


Fig. 13-4

## STEP 4 Securing the Platform Frame

- Locate two black rubber knobs (with 3/8" studs) from the hardware supplied from the power box kit.
- Working from behind the TranzVolt attache the rubber hand knob on the ends of the power box passing through the platform frame. See Fig. 13-2.
- Secure the platform frame with the power box with a firm hand tightening of the rubber hand knob.
- Repeat for opposite side hand knob. See Fig 13-3.
- Locate the 4 - quick release pins from the hardware supplied.
- Insert a release pin in each of the four mounting hole located on each corner of the top of the carriage frame. See Fig. 13-4.

# TranzVolt G2 Synthetic Cable Installation

## STEP 1 Routing the Synthetic Cable

- Untie the synthetic cable from the ladder rung.
- Feed the knotted end of the cable through the back of the platform frame between the feed roller and the roller guide plate.
- Remove any slack by pulling the entire length of the synthetic cable.
- Insert two fully charged batteries. When the batteries are first inserted, listen for a beep/tone – Power Box is ready.

**NOTE: Two (2) DeWalt Brand 20V batteries or Two (2) Milwaukee Brand 18V batteries are required depending on your model TranzVolt. Batteries not included.**

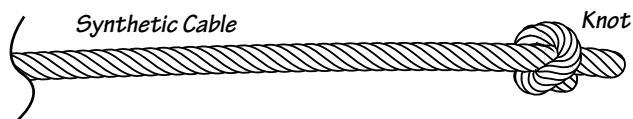


Fig. 14-2

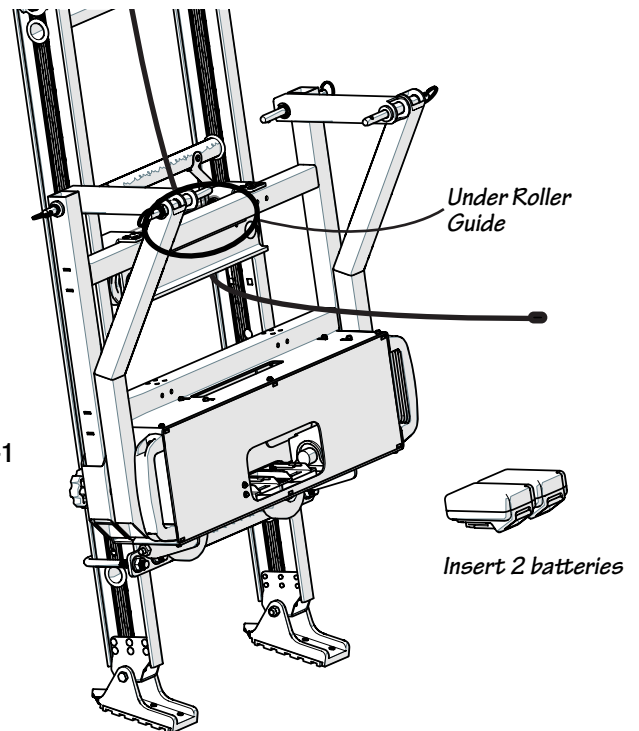


Fig. 14-1

**⚠ DANGER ⚠**

**Do not operate the TranzVolt higher than 36 ft. without replacing the standard synthetic cable with extended length synthetic cable #40674**

**NOTE: The synthetic cable will have a loop on one end and tied knot on the opposite end. DO NOT USE THE CABLE WITHOUT THE KNOT.**

## STEP 2 Locating the Cable Retaining Clip

- Working from the front - look down, through the cable slot, locate the cable spool. See Fig. 14-3
- Using the remote control:
  - > Press the START button
  - > Press the UP button to rotate the cable spool
- Release the UP button when the cable retaining clip (located on the right side of the spool) is visible and positioned towards to top of the power box. Fig. 14-3

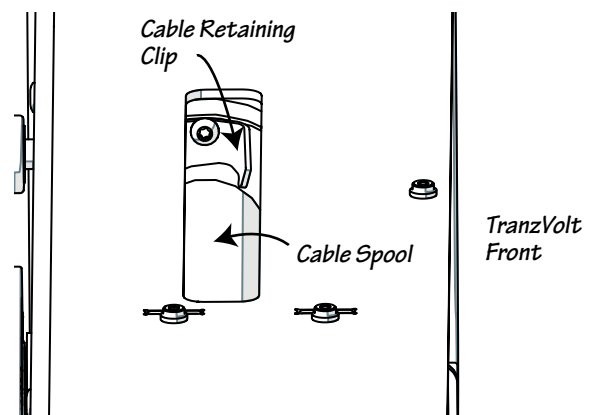


Fig. 14-3

# TranzVolt G2 Synthetic Cable Installation

## STEP 3 Winding/Loading the Synthetic Cable

- Place the knotted end of the synthetic cable between two fingers and insert the cable in through the cable slot.
- Using your fingers, guide the knotted cable end through the bottom of the cable retaining clip located on the right side of the cable spool. See Fig 15-1.
- Pull the synthetic cable tightly making sure the cable is securely attached.

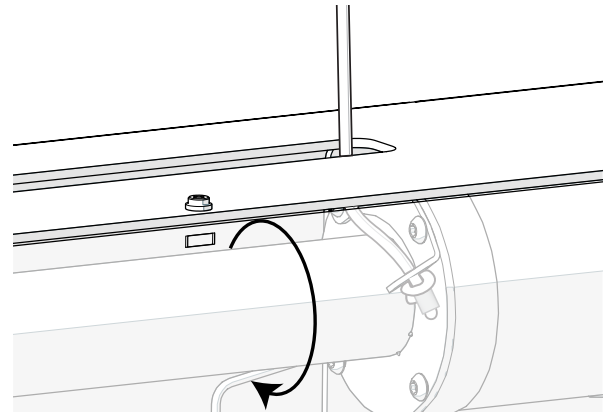


Fig. 15-1

## STEP 4

- Firmly maintain tension on the cable.
- Using the remote control - press the UP button.
- While holding tension on the cable, allow the cable to spool going from the right to the left and back as shown in Fig 15-2.
- Release the UP button once the platform begins moving upward.

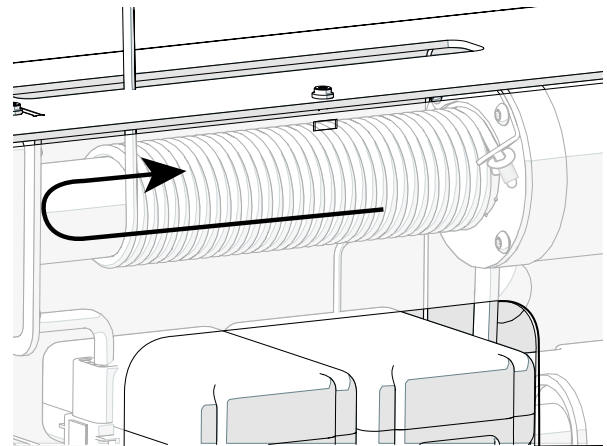


Fig. 15-2

## STEP 5 Tensioning the TranzVolt

**⚠ Stand back from the TranzVolt 6-7 feet, Do Not stand under the track assembly.**

- Using the remote control:
  - > Press the START button
  - > Press and hold the UP button
- Allow the TranzVolt to travel the full length of the track assembly.
- Using the remote control:
  - > Release the “UP” once the platform reaches the top.
  - > Press the “Down” button to return
- Repeat the up and down process for a second time.

The synthetic cable should be fully wound and ready to load the platform.

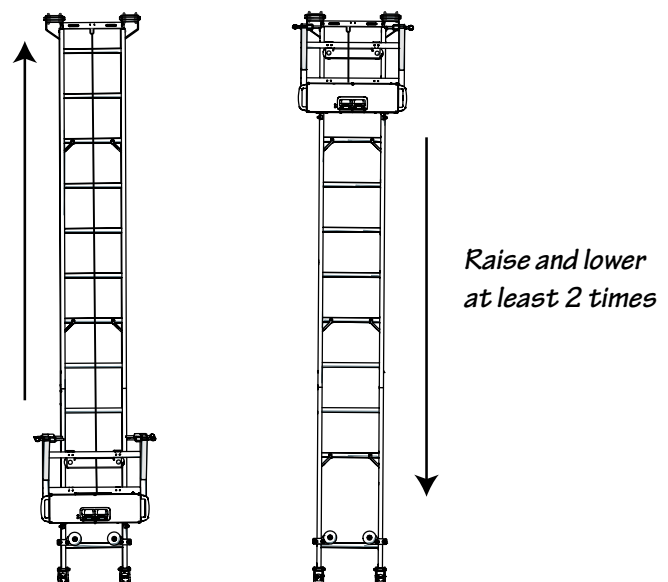


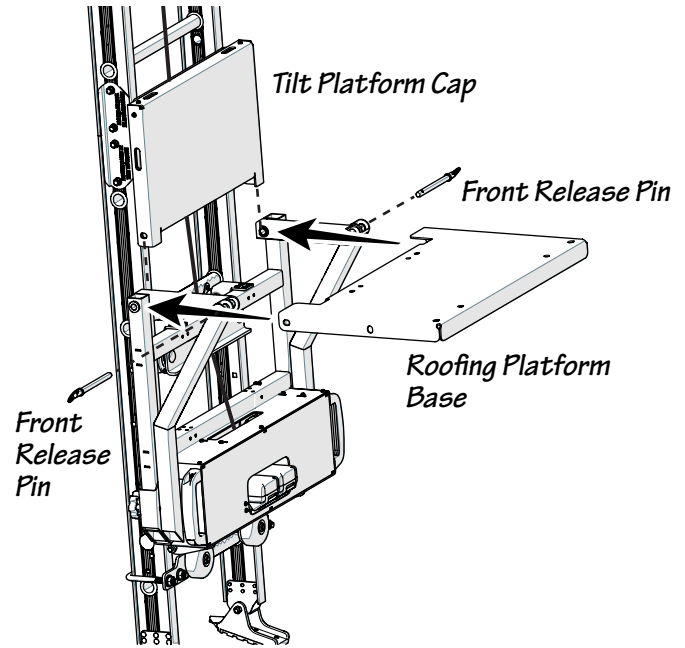
Fig. 15-3

# TranzVolt G2 Platform Installation

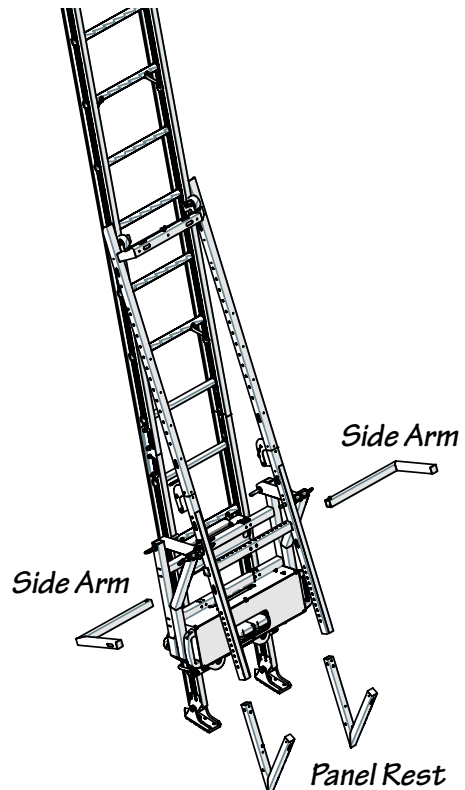
The Collapsible Roofing Platform Kit (Part #40675) and the Solar tilt Back Platform Kit (Part #40676) are purchased and assembled separately.



Collapsible Roofing Platform Instructions



Solar Tilt Back Platform Assembly Instructions





# TranzVolt G2 HOMING Process

- The TranzVolt must be in its final work site location and secured at the root top as instructed on pages 7-8.
- The TranzVolt should be equipped with either the Collapsible Roofing Platform or the Solar Tilt Back Platform.
- Prior to the Homing operation the synthetic cable must be installed on winding spool as instructed on pages 12-13.
- When the batteries are first inserted, listen for a beep/tone – Power Box is ready.

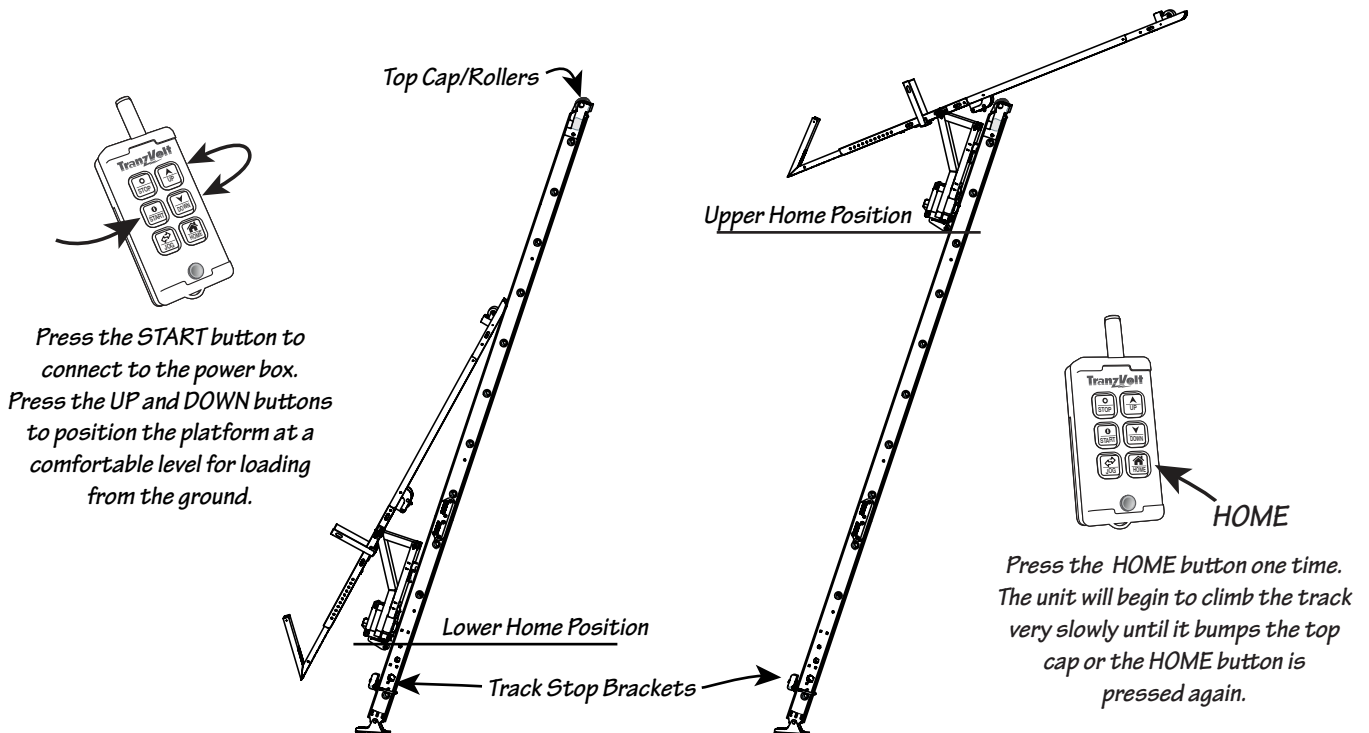
## Setting the HOME position:

1. Press “START” on remote – you will hear an audible “click” as the remote connects to power box.
2. Press the up and down buttons to choose a comfortable working height
3. Press and release the “HOME” button one time. The TranzVolt will begin to climb the ladder very slowly until it bumps the top cap and then return to the starting position you choose.
  - If you need to change the TranzVolt position after the homing sequence, press and hold “JOG” button while pressing up or down.
  - If it is desired to have the unit stop at an upper position below the top cap, the “HOME” button can be pressed at any time during the slow climb. Either way, the unit will then return quickly back down to the lower position.

## Loading and Unloading

1. Pressing the “STOP” button disarms the TranzVolt. This allows for safe loading and prevents accidental movement of the machine during loading.
2. Load the materials onto the platform. If your loading the solar panel platform secure load with bungee cords.
3. To re-activate the system press “START”, you will hear an audible “click” as the remote connects to power box. Press and release the “UP” button a single time to send the unit to the top position. In case of emergency, press the “STOP” button.
4. The TranzVolt will stop at the top position set during homing. Unload the materials carefully.
5. Press and release the “DOWN” button to send the unit to the bottom.

**NOTE:** After homing, the platform positions will be saved until the unit is reset by removing and reinstalling the batteries.



# Safety Warnings

**DANGER** DO NOT TRANSPORT ASSEMBLED LADDERVATOR

THE UNSECURED TRANZVOLT POWER BOX/PLATFORM MUST BE REMOVED BEFORE TRANSPORTING.

**STAY CLEAR 10 FT. POWER LINES**

**MAX. LIFT CAPACITY: 250 LBS.**

**WARNING**

**BATTERIES MUST BE REMOVED WHEN NOT IN USE.**

Leaving the batteries in the TranzVolt power box could result in permanently dead batteries.

**WARNING**

**ELECTRICAL OVERHEAD WIRES KILL!**

Look for and locate all overhead electrical wires before handling or moving track sections during assembly and tear down.

Always maintain a minimum of 10 feet safe distance, front to back, left to right, and underneath electric wires.

**ADVERTENCIA**

**LOS CABLES ELECTRICOS AEREOS MATAN!**

Busque y ubique todos los cables eléctricos aéreos antes de manipular o mover tramos durante el montaje y el desmontaje.

Mantenga siempre una distancia mínima de seguridad de 10 pies de la parte frontal a la parte trasera, y debajo de los cables eléctricos.

**DANGER**

**DO NOT USE IN WINDY CONDITIONS!**

THE PROPER ANGLE DISTANCE FROM THE HOIST BASE TO THE WALL MUST BE 1/4 THE WORKING LENGTH OF THE FULL HOIST LENGTH OR 75.5° MAX. SAFETY CORDS MUST BE SECURED AT ALL TIMES WHILE LIFTING SOLAR PANELS OR LARGE MATERIALS.



**STAY CLEAR ALL POWER LINES**

**WARNING**

**ELECTRICAL OVERHEAD WIRES KILL!**

Look for and locate all overhead electrical wires before handling or moving track sections during assembly and tear down.

Always maintain a minimum of 10 feet safe distance, front to back, left to right, and underneath electric wires.

**ADVERTENCIA**

**LOS CABLES ELECTRICOS AEREOS MATAN!**

Busque y ubique todos los cables eléctricos aéreos antes de manipular o mover tramos durante el montaje y el desmontaje.

Mantenga siempre una distancia mínima de seguridad de 10 pies de la parte frontal a la parte trasera, y debajo de los cables eléctricos.

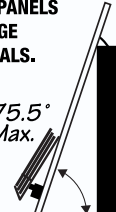
**TIE DOWN**

**STAY CLEAR 8 FT DURING OPERATION**

**DANGER**

**DO NOT LIFT PANELS IF WINDS EXCEED 15 MPH!**

THE PROPER ANGLE DISTANCE FROM THE HOIST BASE TO THE WALL MUST BE 1/4 THE WORKING LENGTH OF THE FULL HOIST LENGTH OR 75.5° MAX. SAFETY CORDS MUST BE SECURED AT ALL TIMES WHILE LIFTING SOLAR PANELS OR LARGE MATERIALS.



**TIE DOWN**

**WARNING**

**KEEP TRACK SECTIONS MINIMUM 10 FT. CLEAR OF ALL ELECTRICAL WIRES AND EQUIPMENT. BE AWARE OF OVERHEAD WIRES BEFORE RAISING TRACK SECTIONS. ELECTRICITY KILLS!**

**TRACK SECTION MUST BE SECURED TO THE ROOF!**

# TRANZVOLT G2 LADDERVATOR PRODUCT LINE LIMITED WARRANTY

Tie Down will repair or replace, free of charge, any part, or parts of the TranzVolt G2 Laddervator that are defective in material or workmanship or both. **The limited warranty is in effect for two (2) years for the TranzVolt G2 electrical power box and six (6) months for all other TranzVolt G2 equipment. Warranty takes effect from date of purchase.** Return the defective unit to the dealer or contact Tie Down direct at 800-241-1806, (404) 344-0000.

This warranty does not apply to damage or loss caused by any or all of the following circumstances or conditions:

- Damage caused during assembly or installation.
- Parts, accessories, materials or components used with or replacing any TIE DOWN lift hoist part not obtained from or approved in writing by TIE DOWN.
- Misapplication, misuse and failure to follow the directions or observe cautions and warnings on installation, operation, application, inspection or maintenance specified in any TIE DOWN quotation, acknowledgment, sales literature, specification sheet or installation instruction and service manual ("applicable literature").
- Use of product in any other application other than those described in TIE DOWN's product information materials.

If any TIE DOWN products are found upon TIE DOWN's examination to have been defective when supplied, TIE DOWN will either: credit the purchaser's account for the purchase price of the TIE DOWN product; replace the TIE DOWN product; or repair the product. TIE DOWN has sole discretion in choosing which option to provide. For this LIMITED WARRANTY to apply, TIE DOWN must receive notice of the alleged defect within 30 days of either the discovery of the alleged defect or the expiration of the warranty period, whichever is earlier. Any claim not made within this period shall conclusively be deemed waived.

If requested by TIE DOWN, purchaser shall return the alleged defective product to TIE DOWN for examination at purchasers' expense. TIE DOWN will not pay for expenses incurred in returning a product to TIE DOWN without TIE DOWN's prior written authority. TIE DOWN shall not be liable for any other expenses the purchaser incurs to remedy any defect. Purchasers waive subrogation on all claims under any insurance.

**Limitation of Liability:** It is expressly agreed that the liability of TIE DOWN is limited. TIE DOWN does not function as an insurer. THE REMEDIES SET FORTH IN THIS WARRANTY SHALL CONSTITUTE THE EXCLUSIVE REMEDIES AVAILABLE TO THE PURCHASER OR USER AND ARE IN LIEU OF ALL OTHER REMEDIES, EXPRESS OR IMPLIED. THE LIABILITY OF TIE DOWN, WHETHER IN CONTRACT, IN TORT, UNDER ANY WARRANTY OR OTHERWISE, SHALL NOT EXCEED THE PURCHASE PRICE OF THE PARTICULAR PRODUCT MANUFACTURED, SOLD OR SUPPLIED BY TIE DOWN.

**To Obtain Technical Assistance:** To enable TIE DOWN to respond to a request for assistance or evaluation of customer or user operating difficulty, please provide at a minimum the following information by calling 404-344-0000:

- Model number, serial number and all other data on the specific component which appears to be involved in the difficulty.
- The date and from whom you purchased your TIE DOWN product.
- State your difficulty, being sure to mention at least the following: application, nature of load involved, and weight of the load.

**THIS WARRANTY DOES NOT COVER NOR EXTEND TO INCIDENTAL OR CONSEQUENTIAL DAMAGE.** Some states do not allow the exclusion or limitation of incidental or consequential damages, so the above limitation or exclusion may not apply to you. This warranty gives you specific legal rights, and you may also have other rights which vary from state to state.

No representative has authority to make any representation, promise or agreement except as stated in this Limited Warranty. TIE DOWN reserves the right to make design and other changes upon its products without any obligation to install the same on any previously sold or delivered products.

**THERE ARE NO WARRANTIES WHICH EXTEND BEYOND THOSE DESCRIBED ABOVE. EFFECTIVE OCTOBER 2022 THIS WARRANTY SUPERSEDES ALL PRIOR WARRANTIES, WRITTEN OR IMPLIED.**

# TranzVolt G2 Quick Reference HOMING Process

The TranzVolt must be equipped with either the Collapsible Roofing Platform or the Solar Tilt Back Platform.

## Setting the “HOME” Ground Level Work Position:

1. Press “START” on remote – you will hear an audible “click” as the remote connects to power box.
2. Press the “UP” and “DOWN” buttons to choose a comfortable working height.
3. Press and release the “HOME” button one time. The TranzVolt will begin to climb the ladder very slowly until it bumps the top cap and then return to the starting position you choose.
  - If you need to change the TranzVolt position after the homing sequence, press and hold “JOG” button while pressing up or down.
  - If it is desired to have the unit stop at an upper position below the top cap, the “HOME” button can be pressed at any time during the slow climb. Either way, the unit will then return quickly back down to the lower position.

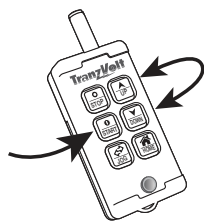
## Loading and Unloading

1. Pressing the “STOP” button disarms the TranzVolt. This allows for safe loading and prevents accidental movement of the machine during loading.
2. Load the materials onto the platform. If your loading the solar panel platform secure load with bungee cords.
3. To re-activate the system press “START”, you will hear an audible “click” as the remote connects to power box. Press and release the “UP” button a single time to send the unit to the top position.  
**In case of emergency, press the “STOP” button.**

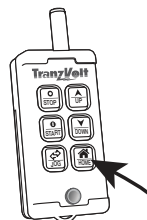
4. The TranzVolt will stop at the top position set during homing. Unload the materials carefully.

5. Press and release the “DOWN” button to send the unit to the bottom.

**NOTE: After homing, the platform positions will be saved until the unit is reset by removing and reinstalling the batteries.**



*Press the START button to connect to the power box. Press the UP and DOWN buttons to position the platform at a comfortable level for loading from the ground.*



*Press the HOME button one time. The unit will begin to climb the track very slowly until it bumps the top cap or the HOME button is pressed again.*